



EN Fridge Freezer
ET Külmik-sügavkülmuti

User Manual
Kasutusjuhend

2
27

CONTENTS

1. SAFETY INFORMATION.....	2
2. SAFETY INSTRUCTIONS.....	4
3. INSTALLATION.....	6
4. CONTROL PANEL.....	9
5. DAILY USE.....	12
6. HINTS AND TIPS.....	17
7. CARE AND CLEANING.....	19
8. TROUBLESHOOTING.....	21
9. NOISES.....	25
10. TECHNICAL DATA.....	26
11. INFORMATION FOR TEST INSTITUTES.....	26
12. ENVIRONMENTAL CONCERNS.....	26

WE'RE THINKING OF YOU

Thank you for purchasing an Electrolux appliance. You've chosen a product that brings with it decades of professional experience and innovation. Ingenious and stylish, it has been designed with you in mind. So whenever you use it, you can be safe in the knowledge that you'll get great results every time.

Welcome to Electrolux.

Visit our website to:



Get usage advice, brochures, trouble shooter, service and repair information:
www.electrolux.com/support



Register your product for better service:
www.registerelectrolux.com



Buy Accessories, Consumables and Original spare parts for your appliance:
www.electrolux.com/shop

CUSTOMER CARE AND SERVICE

Always use original spare parts.

When contacting our Authorised Service Centre, ensure that you have the following data available: Model, PNC, Serial Number.

The information can be found on the rating plate.

Warning / Caution-Safety information

General information and tips

Environmental information

Subject to change without notice.

1. SAFETY INFORMATION

Before the installation and use of the appliance, carefully read the supplied instructions. The manufacturer is not responsible for any injuries or damage that are the result

of incorrect installation or usage. Always keep the instructions in a safe and accessible location for future reference.

1.1 Children and vulnerable people safety

- This appliance can be used by children aged from 8 years and above and persons with reduced physical, sensory or mental capabilities or lack of experience and knowledge if they have been given supervision or instruction concerning the use of the appliance in a safe way and understand the hazards involved. Children aged from 3 to 8 years and persons with very extensive and complex disabilities are allowed to load and unload the appliance provided that they have been properly instructed. Children of less than 3 years of age should be kept away from the appliance unless continuously supervised.
- Children should be supervised to ensure that they do not play with the appliance.
- Children shall not carry out cleaning and user maintenance of the appliance without supervision.
- Keep all packaging away from children and dispose of it appropriately.

1.2 General Safety

- This appliance is for storing food and beverages only.
- This appliance is designed for single household domestic use in an indoor environment.
- This appliance may be used in, offices, hotel guest rooms, bed & breakfast guest rooms, farm guest houses and other similar accommodation where such use does not exceed (average) domestic usage levels.
- To avoid contamination of food respect the following instructions:
 - do not open the door for long periods;
 - clean regularly surfaces that can come in contact with food and accessible drainage systems;

- store raw meat and fish in suitable containers in the refrigerator, so that it is not in contact with or drip onto other food.
- **WARNING:** Keep ventilation openings, in the appliance enclosure or in the built-in structure, clear of obstruction.
- **WARNING:** Do not use mechanical devices or other means to accelerate the defrosting process, other than those recommended by the manufacturer.
- **WARNING:** Do not damage the refrigerant circuit.
- **WARNING:** Do not use electrical appliances inside the food storage compartments of the appliance, unless they are of the type recommended by the manufacturer.
- Do not use water spray and steam to clean the appliance.
- Clean the appliance with a moist soft cloth. Only use neutral detergents. Do not use abrasive products, abrasive cleaning pads, solvents or metal objects.
- When the appliance is empty for long period, switch it off, defrost, clean, dry and leave the door open to prevent mould from developing within the appliance.
- Do not store explosive substances such as aerosol cans with a flammable propellant in this appliance.
- If the supply cord is damaged, it must be replaced by the manufacturer, its Authorised Service Centre or similarly qualified persons in order to avoid a hazard.

2. SAFETY INSTRUCTIONS

2.1 Installation



WARNING!

Only a qualified person must install this appliance.

- Remove all the packaging.
- Do not install or use a damaged appliance.
- Do not use the appliance before installing it in the built-in structure due to safety manner.
- Follow the installation instructions supplied with the appliance.
- Always take care when moving the appliance as it is heavy. Always use safety gloves and enclosed footwear.
- Make sure the air can circulate around the appliance.
- At first installation or after reversing the door wait at least 4 hours before connecting the appliance to the power supply. This is to allow the oil to flow back in the compressor.

- Before carrying out any operations on the appliance (e.g. reversing the door), remove the plug from the power socket.
- Do not install the appliance close to radiators or cookers, ovens, or hobs, unless otherwise specified in the installation instructions.
- Do not expose the appliance to the rain.
- Do not install the appliance where there is direct sunlight.
- Do not install this appliance in areas that are too humid or too cold.
- When you move the appliance, lift it by the front edge to avoid scratching the floor.
- The appliance contains a bag of desiccant. This is not a toy. This is not food. Please dispose of it immediately.

2.2 Electrical connection



WARNING!
Risk of fire and electric shock.



WARNING!
When positioning the appliance, ensure the supply cord is not trapped or damaged.



WARNING!
Do not use multi-plug adapters and extension cables.

- The appliance must be earthed.
- Make sure that the parameters on the rating plate are compatible with the electrical ratings of the mains power supply.
- Always use a correctly installed shockproof socket.
- Make sure not to cause damage to the electrical components (e.g. mains plug, mains cable, compressor). Contact the Authorised Service Centre or an electrician to change the electrical components.
- The mains cable must stay below the level of the mains plug.
- Connect the mains plug to the mains socket only at the end of the

installation. Make sure that there is access to the mains plug after the installation.

- Do not pull the mains cable to disconnect the appliance. Always pull the mains plug.

2.3 Use



WARNING!
Risk of injury, burns, electric shock or fire.



The appliance contains flammable gas, isobutane (R600a), a natural gas with a high level of environmental compatibility. Be careful not to cause damage to the refrigerant circuit containing isobutane.

- Do not change the specification of this appliance.
- Any use of the built-in product as free-standing is strictly prohibited.
- Do not put electrical appliances (e.g. ice cream makers) in the appliance unless they are stated applicable by the manufacturer.
- If damage occurs to the refrigerant circuit, make sure that there are no flames and sources of ignition in the room. Ventilate the room.
- Do not let hot items to touch the plastic parts of the appliance.
- Do not put soft drinks in the freezer compartment. This will create pressure on the drink container.
- Do not store flammable gas and liquid in the appliance.
- Do not put flammable products or items that are wet with flammable products in, near or on the appliance.
- Do not touch the compressor or the condenser. They are hot.
- Do not remove or touch items from the freezer compartment if your hands are wet or damp.
- Do not freeze again food that has been thawed.
- Follow the storage instructions on the packaging of frozen food.
- Wrap the food in any food contact material before putting it in the freezer compartment.

- Do not allow food to come in contact with the inner walls of the appliance compartments.

2.4 Internal lighting



WARNING!
Risk of electric shock.

- This product contains one or more light sources of energy efficiency class F.
- Concerning the lamp(s) inside this product and spare part lamps sold separately: These lamps are intended to withstand extreme physical conditions in household appliances, such as temperature, vibration, humidity, or are intended to signal information about the operational status of the appliance. They are not intended to be used in other applications and are not suitable for household room illumination.

2.5 Care and cleaning



WARNING!
Risk of injury or damage to the appliance.

- Before maintenance, deactivate the appliance and disconnect the mains plug from the mains socket.
- This appliance contains hydrocarbons in the cooling unit. Only a qualified person must do the maintenance and the recharging of the unit.
- Regularly examine the drain of the appliance and if necessary, clean it. If the drain is blocked, defrosted water collects in the bottom of the appliance.

2.6 Service

- To repair the appliance contact the Authorised Service Centre. Use original spare parts only.

- Please note that self-repair or non-professional repair can have safety consequences and might void the guarantee.
- The following spare parts are available for at least 7 years after the model has been discontinued: thermostats, temperature sensors, printed circuit boards, light sources, door handles, door hinges, trays and baskets. Door gaskets are available for at least 10 years after the model has been discontinued. The duration may be longer in your country. For further information, please visit our website.
- Please note that some of these spare parts are only available to professional repairers, and that not all spare parts are relevant for all models.

2.7 Disposal



WARNING!
Risk of injury or suffocation.

- Disconnect the appliance from the mains supply.
- Cut off the mains cable and discard it.
- Remove the door to prevent children and pets to be closed inside of the appliance.
- The refrigerant circuit and the insulation materials of this appliance are ozone-friendly.
- The insulation foam contains flammable gas. Contact your municipal authority for information on how to discard the appliance correctly.
- Do not cause damage to the part of the cooling unit that is near the heat exchanger.

3. INSTALLATION



WARNING!
Refer to Safety chapters.

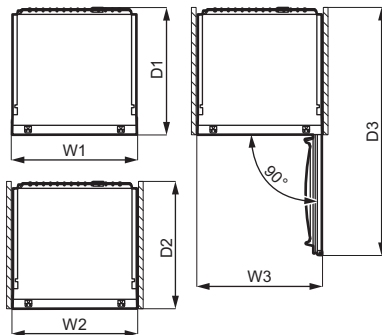
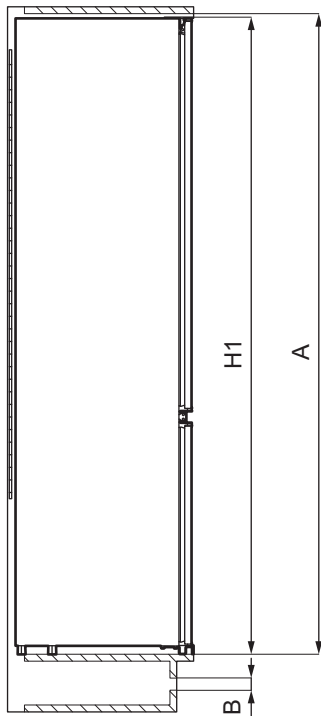


WARNING!
Refer to installation
instruction document to
install your appliance.



WARNING!
Fix the appliance in
accordance with installation
instruction document to
avoid a risk of instability of
the appliance.

3.1 Dimensions



Overall dimensions ¹		
H1	mm	1772
W1	mm	546
D1	mm	549

¹ the height, width and depth of the
appliance without the handle

Space required in use ²		
H2 (A+B)	mm	1816

Space required in use ²		
W2	mm	546
D2	mm	551
A	mm	1780
B	mm	36

² the height, width and depth of the
appliance including the handle, plus the
space necessary for free circulation of
the cooling air

Overall space required in use ³		
H3 (A+B)	mm	1816
W3	mm	546
D3	mm	1068

³ the height, width and depth of the appliance including the handle, plus the space necessary for free circulation of the cooling air, plus the space necessary to allow door opening to the minimum angle permitting removal of all internal equipment


3.2 Location


To ensure appliance's best functionality, you should not install the appliance in a place with direct sunlight. Do not install the appliance close to radiators or cookers, ovens, or hobs, unless otherwise specified in the installation instructions.


Make sure that air can circulate freely around the back of the cabinet.

This appliance should be installed in a dry, well ventilated indoor position.

This appliance is intended to be used at ambient temperature ranging from 10°C to 43°C.

 The correct operation of the appliance can only be guaranteed within the specified temperature range.

 If you have any doubts regarding where to install the appliance, please turn to the vendor, to our customer service or to the nearest Authorised Service Centre.

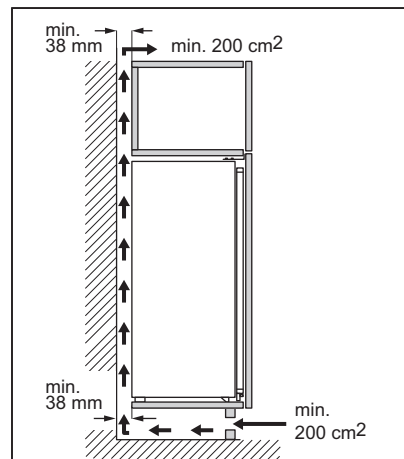
 It must be possible to disconnect the appliance from the mains power supply. The plug must therefore be easily accessible after installation.

3.3 Electrical connection

- Before plugging in, ensure that the voltage and frequency shown on the rating plate correspond to your domestic power supply.
- The appliance must be earthed. The power supply cable plug is provided with a contact for this purpose. If the domestic power supply socket is not earthed, connect the appliance to a separate earth in compliance with current regulations, consulting a qualified electrician.
- The manufacturer declines all responsibility if the above safety precautions are not observed.

3.4 Ventilation requirements

The airflow behind the appliance must be sufficient.



CAUTION!
Refer to the installation instructions for the installation.

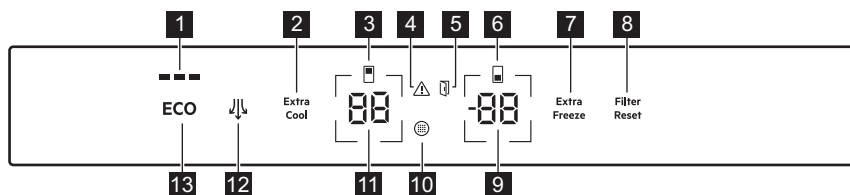
3.5 Door reversibility

Please refer to the separate document with instructions on installation and door reversal.

**CAUTION!**

At every stage of reversing the door protect the floor from scratching with a durable material.

4. CONTROL PANEL



- 1** ECOMETER indicator
- 2** Extra Cool button / indicator
- 3** Fridge compartment indicator
- 4** Alarm indicator
- 5** Door open alarm indicator
- 6** Freezer compartment indicator
- 7** Extra Freeze button / indicator
- 8** Filter Reset alarm button / indicator
- 9** Freezer temperature button / indicator
- 10** Air filter change indicator
- 11** Fridge temperature button / indicator
- 12** Fan button / indicator
- 13** ECO button

4.1 Switching on

Connect the mains plug to the power socket.

To select a different set temperature, refer to "Temperature regulation".

If **de on** appears on the display, refer to "Troubleshooting".

4.2 Switching off

1. Press and hold the fridge temperature button and freezer temperature button simultaneously for 5 seconds

The display shows blinking **OF**.

2. Once the appliance is switched off, the display reads **OF**.

3. Disconnect the mains plug from the power socket.

4.3 Temperature regulation

The temperature range may vary between -15°C and -24°C for freezer and between 2°C and 8°C for fridge.

Press the temperature buttons to set the temperature of the appliance.

The recommended set temperature is:

- $+4^{\circ}\text{C}$ for the fridge
- -18°C for the freezer

You may set the recommended temperature manually with temperature buttons or by switching on the ECO function. Refer to "ECO function" for more information

The temperature indicators show the set temperature.




The set temperature will be reached within 24 hours. After a power failure, the appliance goes back to the set temperature.

4.4 Switching off the fridge

It is possible to switch off only the fridge compartment leaving the freezer compartment on.

1. Press and hold the fridge temperature button for 5 seconds.


The display shows blinking **OF**.

- Once the fridge compartment is switched off, the display reads .


4.5 Switching on the fridge

To switch on the fridge:

- Press and hold the fridge temperature button for 5 seconds.

The display shows blinking .

- The fridge compartment is switched on and the previous set temperature is restored.

 To adjust the temperature, refer to "Temperature regulation".

4.6 ECO function

The ECO function sets the optimal temperature to ensure food preservation while minimizing energy consumption.


- To activate the function press the ECO button.

The fridge temperature is set to +4°C and the freezer temperature to -18°C.

- To deactivate the function, press the ECO button again or select a different set temperature (refer to "Temperature regulation").

After deactivating the ECO function, the fridge temperature is set to +2°C and the freezer temperature to -20°C.

 Activation of the ECO deactivates Extra Cool and Extra Freeze functions.

 The ECOMETER indicator shows the appliance's current energy consumption. Three fully lit bars indicate the most energy-efficient setup.

4.7 Extra Cool function


With the Extra Cool function, you may rapidly cool large amounts of warm food, for example after doing grocery shopping, without warming food already stored in the fridge compartment.

To activate the function, press the Extra Cool button.

The Extra Cool indicator lights up. When the Extra Cool function is on, the fan may work automatically.


This function stops automatically after approximately 6 hours. Once the function is off, the Extra Cool indicator goes out.

Press the Extra Cool button to deactivate the Extra Cool function before it automatically ends.

 To set a different fridge temperature, switch off the Extra Cool function and refer to "Temperature regulation".

4.8 Extra Freeze function

Extra Freeze function is used to pre-freeze and fast freeze in sequence in the freezer compartment. This function accelerates the freezing of fresh food and, at the same time, protects foodstuffs already stored from undesirable warming.

 To freeze fresh food, activate the Extra Freeze function at least 24 hours before placing the food to complete pre-freezing.

To activate this function, press the Extra Freeze button.

The Extra Freeze indicator lights up. The Extra Freeze function stops automatically after a maximum of 52 hours.

Press the Extra Freeze button to deactivate the Extra Freeze function before it automatically ends.

4.9 Fan function

The fridge compartment is equipped with a device that allows rapid cooling of food and ensures high uniformity of temperature in the compartment.

This device activates automatically when needed or manually.

To switch on the function, press the Fan button. The Fan indicator lights up.

To switch off the function, press again the Fan button. The Fan indicator goes out.

- i** If the function is activated automatically, the Fan indicator will not light up. The activation of the Fan function may increase the noise and energy consumption.

The fan operates only when the door is closed.

4.10 High temperature alarm

When the temperature in the freezer compartment increases (for example due to an earlier power failure), the alarm indicator flashes, the freezer temperature indicator shows H° and blinks and the sound is on.

To deactivate the alarm, press any button.

The alarm indicator and sound go off. The freezer temperature indicator shows H° for 5 seconds before indicating the freezer temperature again.

- i** The alarm restarts one hour after deactivation until the normal conditions are restored. If you do not press any button, the sound switches off automatically after around one hour to avoid disturbing.

4.11 Door open alarm

If the fridge door is left open for approximately 5 minutes or if the freezer door is left open for approximately 80 seconds, the sound is on and the door open alarm indicator turns on. The internal fridge light may also start flashing.

The alarm stops after closing the door. Press any button to switch off the sound.

- i** If you do not press any button, the sound switches off automatically after around one hour to avoid disturbing.

4.12 Air filter change indicator

When the air filter has expired and requires replacement, the Air filter change indicator and the Filter Reset alarm indicator turn on.

Refer to "Installing and replacing the CleanAir+ filter" section in "Care and cleaning" chapter for the replacement instructions.

After the filter replacement, press the Filter Reset alarm button to turn off the alarm.

4.13 Setting mode

The Setting mode allows you to:

- Enable or disable the ECOMETER indicator
- Enable or disable the button sounds
- Change the temperature units from °C to °F
- Reset the appliance to factory settings

Activating the Setting mode

To activate the Setting mode:

1. Press and hold the ECO button for approximately 3 seconds. When the Setting mode is being activated, the display shows a blinking **SE EE**.
2. Once the Setting mode is switched on, the display shows **PE On**.

To deactivate the Setting mode, press and hold the ECO button for approximately 3 seconds.

The Setting mode deactivates automatically if you do not interact with the control panel for 60 seconds.

Navigating the Setting mode

1. Activate the Setting mode (refer to "Activating the Setting mode"). The display shows **PE On**.
2. Tap the fridge temperature button (on the left) to change the parameter. Tap the freezer temperature button (on the right) to change the parameter value.

Display	Default parameters
PE On	ECOMETER indicator
ES On	Button sounds
CF °C	Temperature units
FS 03	Factory settings

ECOMETER indicator

In order to switch the ECOMETER on or off:

1. Activate the Setting mode (refer to "Activating the Setting mode").
The display shows PE On.
2. Tap On repeatedly. The indicator will show respectively On for the enabled or OF for the disabled ECOMETER indicator.
3. Press and hold the ECO button for approximately 3 seconds to exit the Setting mode.

Button sounds

You can enable or disable the button sounds in the Setting mode. To enable or disable the sounds:

1. Activate the Setting mode (refer to "Activating the Setting mode").
The display shows PE On.
2. Tap PE repeatedly until you see ES.
Tap On to switch the sounds either on or off. The indicator will change to On for the enabled or OF for the disabled sounds.

3. Press and hold the ECO button for approximately 3 seconds to exit the Setting mode.

Temperature units

Using the Setting mode, you can change the temperature unit displayed on the control panel from Celsius to Fahrenheit. To change the temperature unit:

1. Activate the Setting mode (refer to "Activating the Setting mode").
The display shows PE On.
2. Tap PE repeatedly until you see CF and °C. Tap the indicator showing the unit to select between °C for Celsius and °F for Fahrenheit.
3. Press and hold the ECO button for approximately 3 seconds to exit the Setting mode.

Factory settings

This function restores each setting to the factory default settings. To restore the factory default settings:

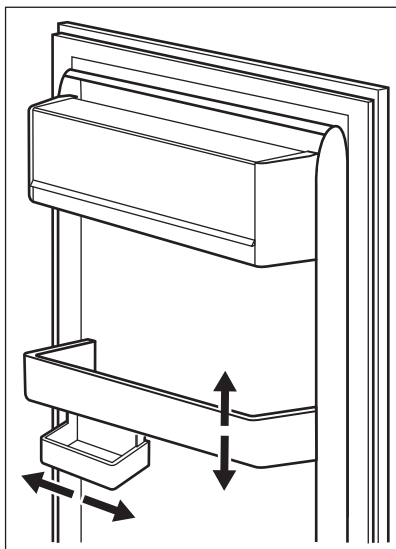
1. Activate the Setting mode (refer to "Activating the Setting mode").
The display shows PE On.
2. Tap PE repeatedly until you see FS and 03. Tap 03 repeatedly until you see On.
On turns into blinking FS and then into solid 03, which indicates that factory settings are restored.
3. Press and hold the ECO button for approximately 3 seconds to exit the Setting mode.

5. DAILY USE

5.1 Positioning the door shelves

To permit storage of food packages of various sizes, the door shelves can be placed at different heights.

1. Gradually pull the shelf up until it comes free.
2. Reposition as required.



This model is equipped with a variable storage box which can be moved sideways.

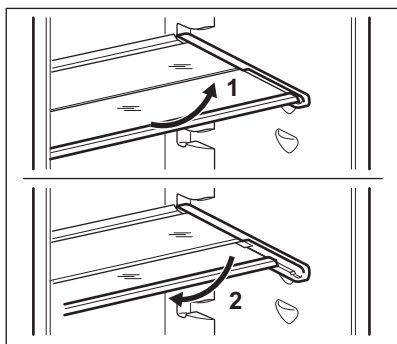
5.2 Movable shelves

The walls of the refrigerator are equipped with a series of runners so that the shelves can be positioned as desired.

This appliance is also equipped with a shelf consisting of two parts. The front half of the shelf can be placed under the second half to make better use of space.

To fold the shelf:

1. Take out the front half gently.
2. Slide it into the lower rail and under the second half.



- i** Do not move the glass shelf above the vegetable drawer to ensure correct air circulation.

5.3 GreenZone drawer

There is a pull-out drawer in the bottom part of the refrigerator compartment.

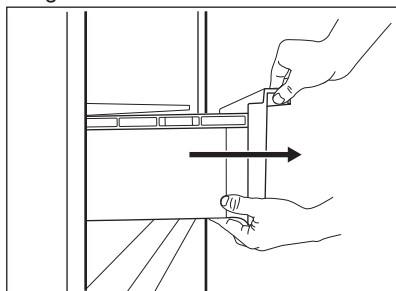
The glass shelf of the GreenZone is fitted with a device that regulates its sealing and can be used to manage the humidity inside the drawer.

5.4 Removing GreenZone drawer

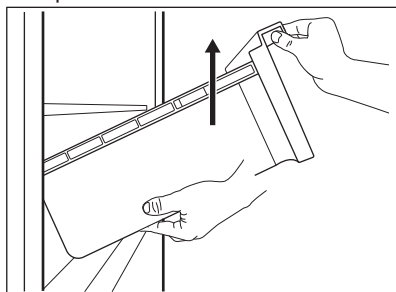
- i** It is recommended to empty the drawer before removing it from the refrigerator.

To remove the drawer:

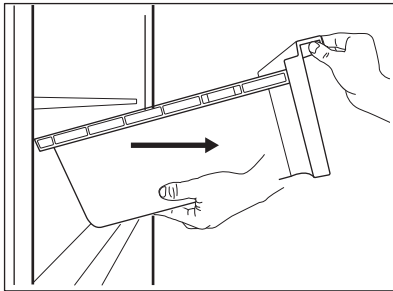
1. Pull out the drawer from the refrigerator.



2. Lift up the front of the drawer.

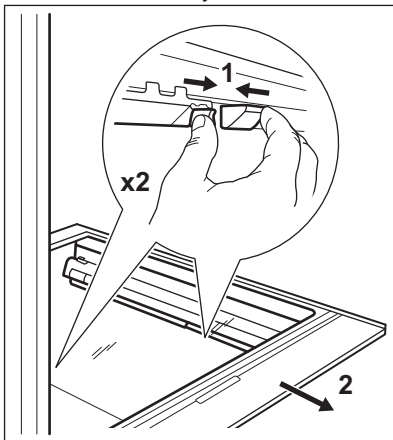


3. Pull the drawer out while lifting it up.

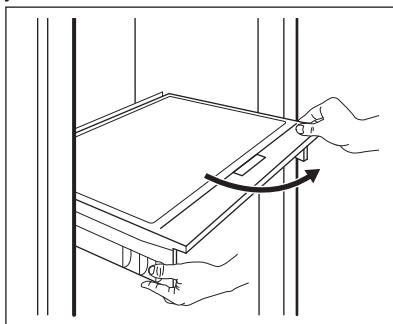


To remove the glass cover of the GreenZone drawer:

1. Unlock lateral gripping from both sides simultaneously.



2. Pull the glass shelf support towards yourself.

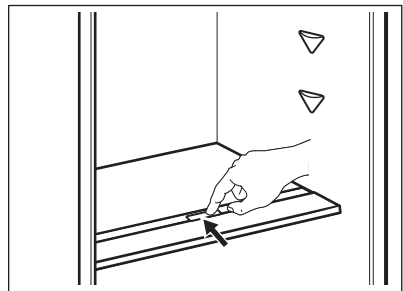


sealing and can be used to manage the humidity inside the drawer.

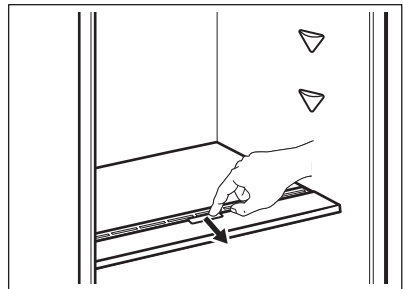
i Do not place any food products on the humidity control device.

The position of the humidity control depends on the type and quantities of fruit and vegetables:

- Slots closed: recommended for low quantities of fruit and vegetables. It provides for longer preservation of the natural moisture content in fruit and vegetables.



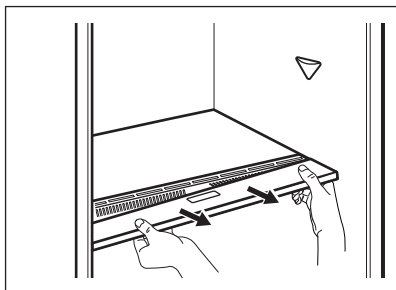
- Slots opened: recommended for larger quantities of fruit and vegetables. It provides for more air circulation resulting in lower air moisture.



To remove the humidity control device, open the drawer below the glass shelf and pull out the cover.

5.5 Humidity control

The glass shelf of the GreenZone drawer is fitted with a device that regulates its



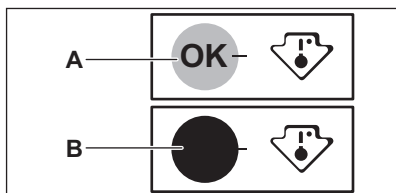
- i** Depending on the quantity and condition of fruit and vegetables stored in the GreenZone drawer, condensation may occur. In such a case, remove the condensation using a soft cloth and set the humidity control to low humidity position.

5.6 Temperature indicator

For proper storage of food the refrigerator is equipped with the temperature indicator. The symbol on the side wall of the appliance indicates the coldest area in the refrigerator.

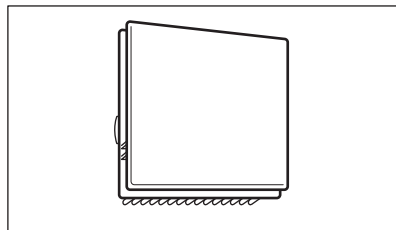
If OK is displayed (A), put fresh food into area indicated by symbol, if not (B), wait at least 12 hours and check if it is OK (A).

If it is still not OK (B), adjust the setting control to a colder setting.



5.7 Fan

The refrigerator compartment is equipped with a device that allows rapid cooling of foods and keeps more uniform temperature in the compartment.



This device activates automatically when needed.

It is also possible to switch on the device manually when needed (refer to "Fan function").

- i** The fan operates only when the door is closed.
- i** Do not remove the cover of the fan.

5.8 CleanAir+ filter

In the appliance, there is a CleanAir+ carbon filter.

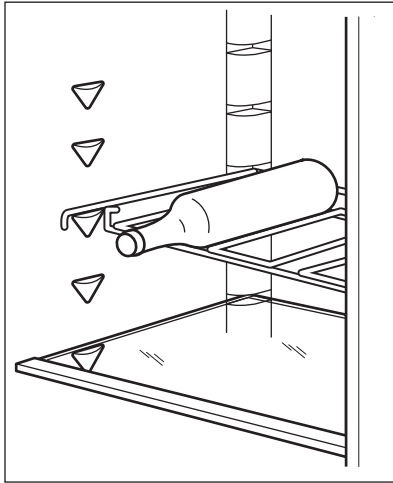
The filter purifies the air from unwanted odours in the fridge compartment, improving the storage quality.

On delivery, the filter and its plastic housing are in a plastic bag with the other accessories (refer to "Installing and replacing the CleanAir+ filter" section in "Care and cleaning" chapter for the installation).

5.9 Bottle rack

Place the bottles (with the opening facing front) in the pre-positioned shelf.

- i** Place only closed bottles on the shelf.



5.10 Freezing fresh food

The freezer compartment is suitable for freezing fresh food and storing frozen and deep-frozen food for a long time.

To freeze fresh food activate the Extra Freeze function at least 24 hours before placing the food to be frozen in the freezer compartment.

Store the fresh food evenly distributed in the first compartment or drawer from the top.

The maximum amount of food that can be frozen without adding other fresh food during 24 hours is specified on the rating plate (a label located inside the appliance).

When the freezing process is complete, the appliance automatically returns to the previous temperature setting (see "Extra Freeze function").

For more information refer to "Hints for freezing".

5.11 Storage of frozen food

When activating an appliance for the first time or after a period out of use, before

putting the products in the compartment let the appliance run at least 3 hours with the Extra Freeze function switched on.

The freezer drawers ensure that it is quick and easy to find the food package you want.

If large quantities of food are to be stored, remove all drawers and place the food on shelves.

Keep the food no closer than 15 mm from the door.



CAUTION!

In the event of accidental defrosting, for example due to a power failure, if the power has been off for longer than the value shown on rating plate under "rising time", the defrosted food must be consumed quickly or cooked immediately then cooled and then re-frozen. Refer to "High temperature alarm".

5.12 Thawing

Deep-frozen or frozen food, prior to being consumed, can be thawed in the refrigerator or inside a plastic bag under cold water.

This operation depends on the time available and on the type of food. Small pieces may even be cooked still frozen.

5.13 Ice-cube production

This appliance is equipped with one or more trays for the production of ice-cubes.



Do not use metallic instruments to remove the trays from the freezer.

1. Fill these trays with water.
2. Put the ice trays in the freezer compartment.

6. HINTS AND TIPS

6.1 Hints for energy saving


- Freezer: The internal configuration of the appliance is the one that ensures the most efficient use of energy.
- Fridge: Most efficient use of energy is ensured in the configuration with the drawers in the bottom part of the appliance and shelves evenly distributed. Position of the door bins does not affect energy consumption.
- Do not open the door frequently or leave it open longer than necessary.
- Freezer: The colder the temperature setting, the higher the energy consumption.
- Fridge: Do not set too high temperature to save energy unless it is required by the characteristics of the food.
- If the ambient temperature is high and the temperature control is set to low temperature and the appliance is fully loaded, the compressor may run continuously, causing frost or ice formation on the evaporator. In this case, set the temperature control toward higher temperature to allow automatic defrosting and to save energy this way.
- Ensure a good ventilation. Do not cover the ventilation grilles or holes.
- Make sure that food products inside the appliance allow air circulation through dedicated holes in the rear interior of the appliance.

6.2 Hints for freezing

- Activate Extra Freeze function at least 24 hours before placing the food inside the freezer compartment.
- Before freezing wrap and seal fresh food in: aluminium foil, plastic film or bags, airtight containers with lid.
- For more efficient freezing and thawing divide food into small portions.
- It is recommended to put labels and dates on all your frozen food. This will help to identify foods and to know when they should be used before their deterioration.

- The food should be fresh when being frozen to preserve good quality. Especially fruits and vegetables should be frozen after the harvest to preserve all of their nutrients.
- Do not freeze bottles or cans with liquids, in particular drinks containing carbon dioxide - they may explode during freezing.
- Do not put hot food in the freezer compartment. Cool it down at room temperature before placing it inside the compartment.
- To avoid increase in temperature of already frozen food, do not place fresh unfrozen food directly next to it. Place food at room temperature in the part of the freezer compartment where there is no frozen food.
- Do not eat ice cubes, water ices or ice lollies immediately after taking them out of the freezer. Risk of frostbites.
- Do not re-freeze defrosted food. If the food has defrosted, cook it, cool it down and then freeze it.

6.3 Hints for storage of frozen food

- Freezer compartment is the one marked with .
- Good temperature setting that ensures preservation of frozen food products is a temperature less than or equal to -18°C. Higher temperature setting inside the appliance may lead to shorter shelf life.
- The whole freezer compartment is suitable for storage of frozen food products.
- Leave enough space around the food to allow air to circulate freely.
- For adequate storage refer to food packaging label to see the shelf life of food.
- It is important to wrap the food in such a way that prevents water, humidity or condensation from getting inside.

6.4 Shopping tips

After grocery shopping:

- Ensure that the packaging is not damaged - the food could be deteriorated. If the package is swollen or wet, it might have not been stored in the optimal conditions and defrosting may have already started.
- To limit the defrosting process buy frozen goods at the end of your grocery shopping and transport them in a thermal and insulated cool bag.
- Place the frozen foods immediately in the freezer after coming back from the shop.
- If food has defrosted even partially, do not re-freeze it. Consume it as soon as possible.
- Respect the expiry date and the storage information on the package.

6.5 Shelf life for freezer compartment

Type of food	Shelf life (months)
Bread	3
Fruits (except citrus)	6 - 12
Vegetables	8 - 10
Leftovers without meat	1 - 2
Dairy food:	
Butter	6 - 9
Soft cheese (e.g. mozzarella)	3 - 4
Hard cheese (e.g. parmesan, cheddar)	6
Seafood:	
Fatty fish (e.g. salmon, mackerel)	2 - 3
Lean fish (e.g. cod, flounder)	4 - 6
Shrimps	12
Shucked clams and mussels	3 - 4
Cooked fish	1 - 2
Meat:	
Poultry	9 - 12
Beef	6 - 12
Pork	4 - 6
Lamb	6 - 9
Sausage	1 - 2
Ham	1 - 2
Leftovers with meat	2 - 3


6.6 Hints for fresh food refrigeration

- Good temperature setting that ensures preservation of fresh food is a temperature less than or equal to +4°C. Higher temperature setting inside the appliance may lead to shorter shelf life of food.
- Cover the food with packaging to preserve its freshness and aroma.
- Always use closed containers for liquids and for food, to avoid flavours or odours in the compartment.
- To avoid the cross-contamination between cooked and raw food, cover the cooked food and separate it from the raw one.
- It is recommended to defrost the food inside the fridge.
- Do not insert hot food inside the appliance. Make sure it has cooled

down at room temperature before inserting it.

- To prevent food waste the new stock of food should always be placed behind the old one.

6.7 Hints for food refrigeration

- Fresh food compartment is the one marked (on the rating plate) with .
- Meat (all types): wrap in a suitable packaging and place it on the glass shelf above the vegetable drawer. Store meat for at most 1-2 days.
- Fruit and vegetables: clean thoroughly (eliminate the soil) and place in a special drawer (vegetable drawer).
- It is advisable not to keep the exotic fruits like bananas, mangos, papayas etc. in the refrigerator.

- Vegetables like tomatoes, potatoes, onions, and garlic should not be kept in the refrigerator.
- Butter and cheese: place in an airtight container or wrap in an aluminium foil or a polythene bag to exclude as much air as possible.
- Bottles: close them with a cap and place them on the door bottle shelf, or (if available) on the bottle rack.
- In order to accelerate cooling down of the goods, it is advisable to turn on the fan. The activation of Fan allows greater homogenization of internal temperatures.
- Always refer to the expiry date of the products to know how long to keep them.

7. CARE AND CLEANING



WARNING!
Refer to Safety chapters.

7.1 Cleaning the interior

Before using the appliance for the first time, the interior and all internal accessories should be washed with lukewarm water and some neutral soap to remove the typical smell of a brand-new product, then dried thoroughly.



CAUTION!
Do not use detergents, abrasive powders, chlorine or oil-based cleaners as they will damage the finish.



CAUTION!
The accessories and parts of the appliance are not suitable for washing in a dishwasher.



CAUTION!
Clean the control panel with a moist cloth. Do not use any detergents. After cleaning, wipe the control panel dry with a soft cloth.

7.2 Periodic cleaning

The equipment has to be cleaned regularly:

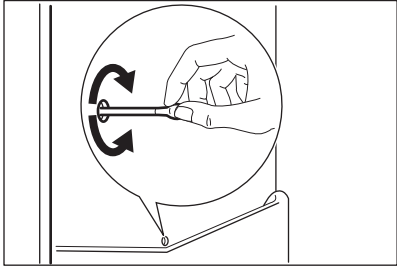
1. Clean the inside and accessories with lukewarm water and some neutral soap.
2. Regularly check the door seals and wipe them clean to ensure they are clean and free from debris.
3. Rinse and dry thoroughly.

7.3 Defrosting of the refrigerator

Frost is automatically eliminated from the evaporator of the refrigerator compartment during normal use. The defrost water drains out through a trough into a special container at the back of the appliance, over the motor compressor, where it evaporates.

It is important to periodically clean the defrost water drain hole in the middle of the refrigerator compartment channel to prevent the water overflowing and dripping onto the food inside.

For this purpose use the tube cleaner provided with the appliance.



7.4 Defrosting of the freezer

The freezer compartment is frost free. This means that there is no build up of frost when it is in operation, neither on the internal walls, nor on the foods.

7.5 Installing and replacing the CleanAir+ filter

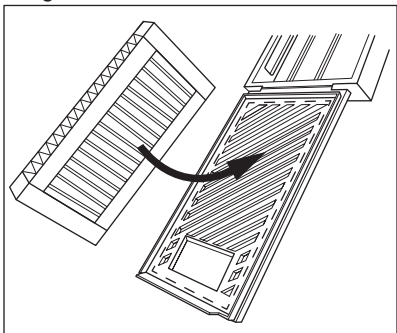
The CleanAir+ filter is an activated carbon filter that absorbs bad odours and allows you to preserve the best flavour and aroma for all foodstuffs without risk of odour cross-contamination.



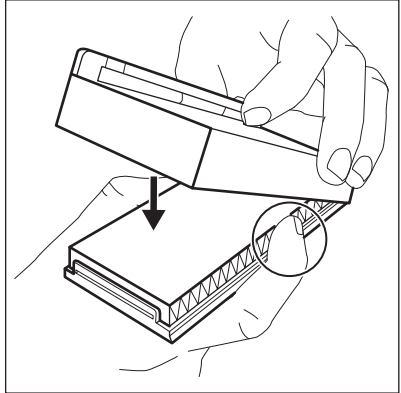
Handle the air filter carefully to avoid scratching its surface. On delivery, the air filter is in a plastic bag to preserve performance.

Install the air filter before activating the appliance.

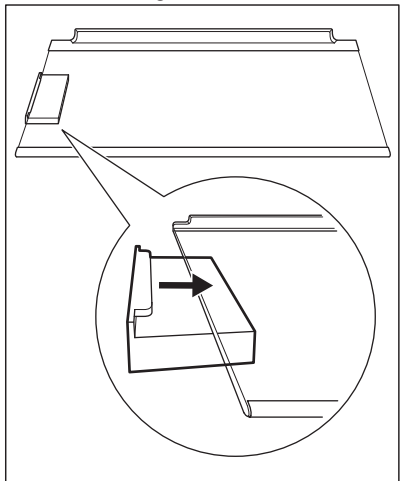
1. Unpack the air filter from the plastic bag.
2. Open the plastic housing and put the pleated surface on the grid, fitting the filter inside the marked area on the gridded surface.



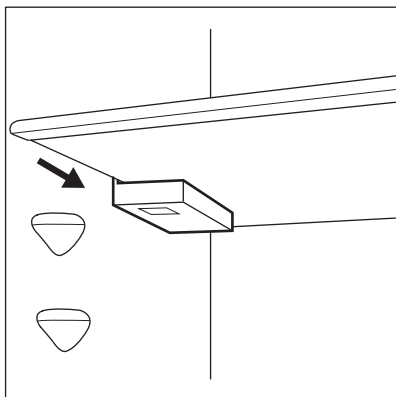
3. Hold the filter down while closing the plastic housing until you hear a click.



4. Remove the top glass shelf from the fridge compartment. Slip the plastic housing with the air filter on the left side of the glass shelf.

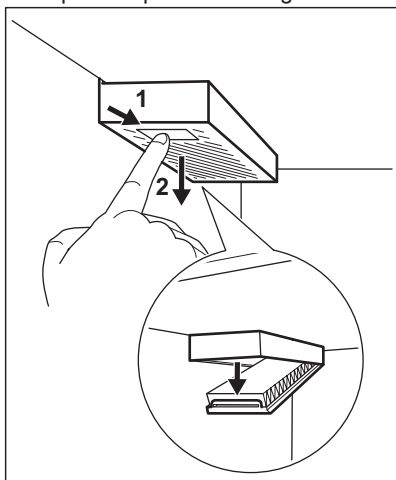


5. Insert the glass shelf back in the fridge compartment. Be careful not to hit the filter when inserting the glass shelf.

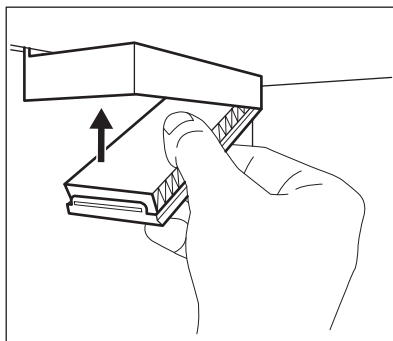


Replacing the air filter

1. Open the plastic housing.



2. Pull out the used air filter.
3. Unpack the new air filter from the plastic bag and insert it in the drawer.
4. Close the plastic housing.



5. After the filter replacement, press the Filter Reset alarm button on the control panel to turn off the alert.

For best performance, place the plastic housing in the proper location (to the left of the glass shelf) and replace the air filter every 6 months. For more information refer to "Air filter change indicator".



The air filter is a consumable accessory and as such is not covered by the guarantee. You can purchase new air filters from your local dealer.

7.6 Period of non-operation

When the appliance is not in use for long period, take the following precautions:

1. Disconnect the appliance from electricity supply.
2. Remove all food.
3. Clean the appliance and all accessories.
4. Leave the doors open to prevent unpleasant smells.

8. TROUBLESHOOTING





WARNING!
Refer to Safety chapters.

8.1 What to do if...

Problem	Possible cause	Solution
The appliance does not operate.	The appliance is switched off.	Switch on the appliance.

Problem	Possible cause	Solution
	The mains plug is not connected to the mains socket correctly.	Connect the mains plug to the mains socket correctly.
	There is no voltage in the mains socket.	Connect a different electrical appliance to the mains socket. Contact a qualified electrician.
The appliance is noisy.	The appliance is not supported properly.	Check if the appliance stands stable.
Acoustic or visual alarm is on.	The cabinet has been recently switched on.	Refer to "High temperature alarm" or "Door open alarm".
	The temperature in the appliance is too high.	Refer to "High temperature alarm" or "Door open alarm".
	The door is left open.	Close the door.
The compressor operates continually.	Temperature is set incorrectly.	Refer to "Control panel" chapter.
	Many food products were put in at the same time.	Wait a few hours and then check the temperature again.
	The room temperature is too high.	Refer to "Installation" chapter.
	Food products placed in the appliance were too warm.	Allow food products to cool to room temperature before storing.
	The door is not closed correctly.	Refer to "Closing the door" section.
	The Extra Freeze function is switched on.	Refer to "Extra Freeze function" section.
	The Extra Cool function is switched on.	Refer to "Extra Cool function" section.
The compressor does not start immediately after pressing the "Extra Freeze" or "Extra Cool", or after changing the temperature.	The compressor starts after a period of time.	This is normal, no error has occurred.
Door is misaligned or interferes with ventilation grill.	The appliance is not levelled.	Refer to installation instructions.

Problem	Possible cause	Solution
Door does not open easily.	You attempted to re-open the door immediately after closing.	Wait a few seconds between closing and re-opening of the door.
The lamp does not work.	The lamp is in stand-by mode.	Close and open the door.
	The lamp is defective.	Contact the nearest Authorized Service Centre.
There is too much frost and ice.	The door is not closed correctly.	Refer to "Closing the door" section.
	The gasket is deformed or dirty.	Refer to "Closing the door" section.
	Food products are not wrapped properly.	Wrap the food products better.
	Temperature is set incorrectly.	Refer to "Control panel" chapter.
	Appliance is fully loaded and is set to the lowest temperature.	Set a higher temperature. Refer to "Control panel" chapter.
	Temperature set in the appliance is too low and the ambient temperature is too high.	Set a higher temperature. Refer to "Control panel" chapter.
Water flows on the rear plate of the refrigerator.	During the automatic defrosting process, frost melts on the rear plate.	This is correct.
There is too much condensed water on the rear wall of the refrigerator.	Door was opened too frequently.	Open the door only when necessary.
	Door was not closed completely.	Make sure the door is closed completely.
	Stored food was not wrapped.	Wrap food in suitable packaging before storing it in the appliance.
Water flows inside the refrigerator.	Food products prevent the water from flowing into the water collector.	Make sure that food products do not touch the rear plate.
	The water outlet is clogged.	Clean the water outlet.
Water flows on the floor.	The melting water outlet is not connected to the evaporative tray above the compressor.	Attach the melting water outlet to the evaporative tray.

Problem	Possible cause	Solution
Temperature cannot be set.	The Extra Freeze function or Extra Cool function is switched on.	Switch off Extra Freeze function or Extra Cool function manually, or wait until the function deactivates automatically to set the temperature. Refer to "Extra Freeze function" or "Extra Cool function" section.
The temperature in the appliance is too low/too high.	The temperature is not set correctly.	Set a higher/lower temperature.
	The door is not closed correctly.	Refer to "Closing the door" section.
	The food products' temperature is too high.	Let the food products temperature decrease to room temperature before storage.
	Many food products are stored at the same time.	Store less food products at the same time.
	The door has been opened often.	Open the door only if necessary.
	The Extra Freeze function is switched on.	Refer to "Extra Freeze function" section.
	The Extra Cool function is switched on.	Refer to "Extra Cool function" section.
	There is no cold air circulation in the appliance.	Make sure that there is cold air circulation in the appliance. Refer to "Hints and tips" chapter.
 appears on the display.	The appliance is in the demonstration mode.	To exit the demonstration mode, press and hold the Extra Cool and ECO buttons for approximately 10 seconds until you hear 3 short beeps.
The  symbol appears and the alarm indicator is on.	Communication problem.	Contact the nearest Authorised Service Centre. The cooling system will continue to keep food products cold, but temperature adjustment will not be possible.

Problem	Possible cause	Solution
The Er E1 or Er E3 or Er E5 symbol and the current setting appear alternately every 5 seconds and the alarm indicator is on.	Temperature sensor problem.	Contact the nearest Authorised Service Centre. The cooling system will continue to keep food products cold, but temperature adjustment will not be possible.

i If the advice does not lead to the desired result, call the nearest Authorized Service Centre.

8.2 Replacing the lamp

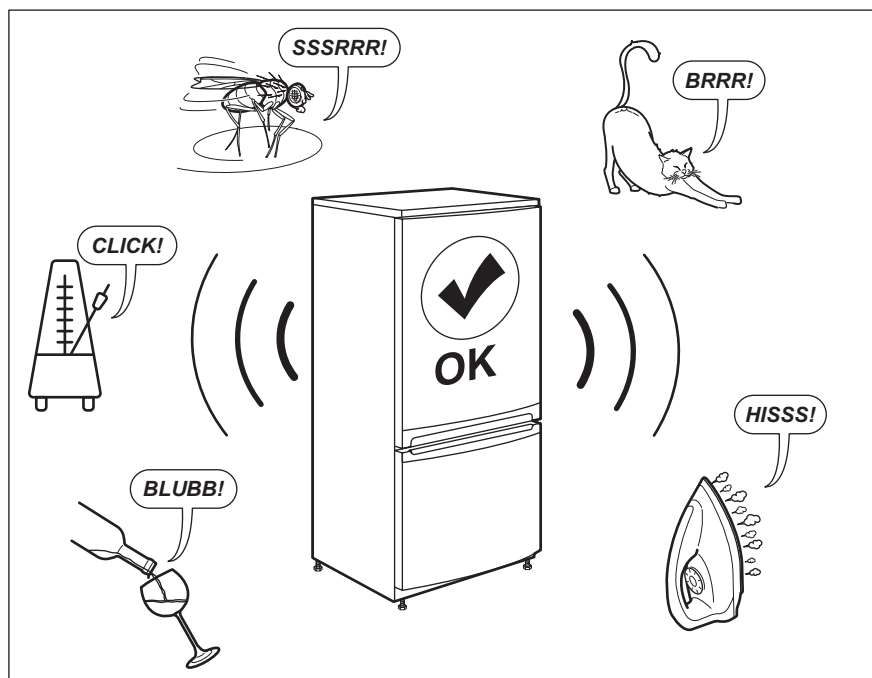
The appliance is equipped with a longlife LED interior light.

Only service is allowed to replace the lighting device. Contact your Authorised Service Centre.

8.3 Closing the door

1. Clean the door gaskets.
2. If necessary, adjust the door. Refer to installation instructions.
3. If necessary, replace the defective door gaskets. Contact the Authorised Service Centre.

9. NOISES



10. TECHNICAL DATA

The technical information is situated in the rating plate on the internal side of the appliance and on the energy label.

The QR code on the energy label supplied with the appliance provides a web link to the information related to the performance of the appliance in the EU EPREL database. Keep the energy label for reference together with the user manual and all other documents provided with this appliance.

It is also possible to find the same information in EPREL using the link <https://eprel.ec.europa.eu> and the model name and product number that you find on the rating plate of the appliance.


See the link www.theenergylabel.eu for detailed information about the energy label.

11. INFORMATION FOR TEST INSTITUTES

Installation and preparation of the appliance for any EcoDesign verification shall be compliant with EN 62552 (EU). Ventilation requirements, recess dimensions and minimum rear

clearances shall be as stated in this User Manual in "Installation". Please contact the manufacturer for any other further information, including loading plans.

12. ENVIRONMENTAL CONCERNS

Recycle materials with the symbol . Put the packaging in relevant containers to recycle it. Help protect the environment and human health by recycling waste of electrical and electronic appliances. Do not dispose of

appliances marked with the symbol  with the household waste. Return the product to your local recycling facility or contact your municipal office.

SISUKORD

1. OHUTUSINFO.....	27
2. OHUTUSJUHISED.....	29
3. PAIGALDAMINE.....	31
4. JUHTPANEEL.....	34
5. IGAPÄEVANE KASUTUS.....	37
6. VIHJED JA NÄPUNÄITED.....	42
7. PUHASTUS JA HOOLDUS.....	44
8. TÕRKEOTSING.....	46
9. HELID.....	50
10. TEHNILISED ANDMED.....	51
11. TEAVE KATSEASUTUSTELE.....	51
12. JÄÄTMEKÄITLUS.....	51

MÕTLEME TEILE

Täname, et otsite Electroluxi seadme. Olete valinud toote, mille loomisel on rakendatud pikaagest professionaalset kogemust ja innovatsiooni. Geniaalne ja stiilne, loodud teile mõeldes. Selle kasutamisel võite olla alati kindel, et tulemused on suurepärased.

Tere tulemast Electroluxi kasutajate hulka.

Külastage meie veebisaiti, kust leiate



nõuandeid, brošüüre, tõrkeotsingu, remondi- ja hooldusteavet:

www.electrolux.com/support



Paremaks teeninduseks registreerige oma toode aadressil

www.registerelectrolux.com



Ostke oma seadmele lisaseadmeid, tarvikuid ja originaalvaruosi aadressil


www.electrolux.com/shop

KLIENDITEENINDUS JA HOOLDUS

Alati tuleb kasutada originaalvaruosi.

Volitatud teeninduskeskusesse pöördumisel peaksid teil olema varuks alljärgnevad andmed: mudel, PNC, seerianumber.

Teave on toodud andmeplaadil.

 Hoiatused / Ettevaatusabinõud – ohutusteave

 Üldine teave ja vihjed

 Keskkonnateave

Jäetakse õigus teha muutusi.

1. OHUTUSINFO

Enne seadme paigaldamist ja kasutamist lugege kaasasolev juhend tähelepanelikult läbi. Tootja ei võta endale vastutust vigastuste või varalise kahju eest, mis

on tingitud paigaldusnõuete eiramisest või väärast kasutusest. Hoidke kasutusjuhend kindlas kohas alles, et saaksite seda vajadusel vaadata.

1.1 Laste ja haavatavate inimeste turvalisus

- Vähemalt 8-aastased ja vanemad lapsed ning piiratud füüsiliste, sensorsete või vaimsete võimete või väheste kogemuste ja teadmistega isikud tohivad seda seadet kasutada järelevalve all või kui neid on õpetatud seadet ohutul viisil kasutama ja mõistma kaasnevaid ohte. 3 kuni 8 aasta vanustel lastel ning väga ulatuslike ja keerukate puuetega inimestel on lubatud seadet laadida ja maha laadida, kui neid on nõuetekohaselt juhendatud. Alla 3-aastased lapsed tuleks seadmest eemal hoida, kui täiskasvanu nende tegevust ei jälgi.
- Jälgige, et lapsed ei mängiks seadmega.
- Lapsed ei tohi ilma järelevalveta seadet puhastada ega hooldustoiminguid läbi viia.
- Hoidke pakendimaterjal lastele kättesaamatus kohas ja kõrvaldage see nõuetekohaselt.

1.2 Üldine ohutus

- See seade on ette nähtud ainult toiduainete ja jookide säilitamiseks.
- See seade on ettenähtud kasutamiseks kodumajapidamise siseruumides.
- Seda seadet võib kasutada kontorites, hotellide külalistetubades, hommikusöögiga külalistetubades, talumajapidamistes ja muudes sarnastes majutusruumides, kui selline kasutamine ei ületa (keskmist) kodumajapidamise kasutuskoormusi.
- Vältimaks toidu riknemist järgige järgmisi juhiseid:
 - ärge jätke ust liiga kauaks lahti;
 - puhastage regulaarselt toiduga kokkupuutuvaid pindu ning juurdepääsetavaid tühjendussüsteeme;

- hoidke külmikus värsket liha ja kala sobivates nõudes, nii et need ei puutuks kokku teiste toiduainetega.
- HOIATUS: Hoidke ventilatsioonivad vabad nii eraldiseisval kui ka sisseehitatud seadmel.
- HOIATUS: Ärge kasutage sulamisprotsessi kiirendamiseks mehhaanilisi ega mingeid muid vahendeid peale tootja soovitatud tarvikute.
- HOIATUS: Vältige külmaainesüsteemi kahjustamist.
- HOIATUS: Ärge kasutage toiduainete hoidmiseks ette nähtud kambrites elektrilisi seadmeid, kui need pole tootja soovitatud tüüpi.
- Ärge kasutage seadme puhastamiseks veepihustit ega aurupuhastit.
- Puhastage seadet pehme niiske lapiga. Kasutage ainult neutraalseid pesuaineid. Ärge kasutage abrasiivseid vahendeid, küürimiskäsnu, lahusteid ega metallesemeid.
- Kui seade jääb pikaks ajaks tühjaks, lülitage see välja, sulatage, puhastage, kuivatage ja jätke uks lahti, et vältida seadme sisemuses hallituse tekkimist.
- Ärge hoidke selles seadmes plahvatusohtlikke esemeid, näiteks tuleohtlikku propellenti sisaldavaid aerosoolballoone.
- Kui toitejuhe on kahjustatud, laske see ohutuse mõttes välja vahetada tootja poolt, tema volitatud hooldekeskuses või kvalifitseeritud isiku poolt.

2. OHUTUSJUHISED

2.1 Paigaldamine



HOIATUS!

Seadet tohib paigaldada ainult kvalifitseeritud tehnik.

- Eemaldage kõik pakkematerjalid.
- Kahjustatud seadet ei tohi paigaldada ega kasutada.
- Ohutuse tagamiseks ärge kasutage seadet enne, kui see on kõõgimööblisse paigaldatud.
- Järgige seadmega kaasasolevaid paigaldusjuhiseid.
- Kuna seade on raske, olge selle liigutamisel ettevaatlik. Kasutage töökindaid ja kinnisi jalanõusid.
- Veenduge, et seadme ümber on tagatud vaba õhuringlus.
- Esmakordsel paigaldamisel või ukse avamissuuna muutmisel oodake enne elektrivõrku ühendamist vähemalt 4 tundi. See on vajalik, et õli valguks kompressorisse tagasi.

- Enne mis tahes toimingute läbiviimist (nt ukse avamissuuna muutmine) eemaldage toitejuhe seinakontaktist.
- Ärge paigaldage seadet radiaatorite või pliitide, ahjude või pliidiplaatide lähedusse, välja arvatud juhul, kui paigaldusjuhistes on märgitud teisiti.
- Ärge jätke seadet vihma kätte.
- Ärge paigaldage seadet otsese päikesevalgusega kohta.
- Ärge paigaldage seda seadet liiga niiskesse või liiga külma kohta.
- Seadme teise kohta viimisel tõstke seda esiservast, et vältida põranda kriimustamist.
- Seadmes on kott desikantainega. See ei ole mänguasi. See ei ole toiduaine. Visake see kohe minema.

2.2 Elektriühendus



HOIATUS!
Tulekahju- ja elektrilöögioht.



HOIATUS!
Seadme paigaldamisel veenduge, et toitejuhe kulgeks vabalt ega oleks vigastatud.



HOIATUS!
Ärge kasutage harupistikuid ega pikendusjuhtmeid.

- Seade peab olema maandatud.
- Kontrollige, kas andmeplaadil olevad elektriandmed vastavad teie kohaliku vooluvõrgu näitajatele.
- Kasutage alati nõuetekohaselt paigaldatud elektriõhutat pistikupesa.
- Olge ettevaatlik, et mitte kahjustada elektrilisi osi (nt toitepistikut, toitejuhet, kompressorit). Elektriliste osade vahetamiseks pöörduge volitatud teeninduskeskusesse või elektriku poole.
- Toitejuhe peab jääma toitepistikust allapoole.
- Ühendage toitepistik seinakontakti alles pärast paigalduse lõpuleviimist. Veenduge, et pärast paigaldamist säilib juurdepääs toitepistikule.
- Seadet vooluvõrgust eemaldades ärge tõmmake toitekaablist. Võtke alati kinni pistikust.

2.3 Kasutamine



HOIATUS!
Vigastuse, põletuse, elektrilöögi või tulekahjuoht!



Seade sisaldab isobutaani (R600a), millel puudub oluline keskkonnamõju. Olge ettevaatlik, et te isobutaani sisaldavat külmutusainesüsteemi ei vigastaks.

- Ärge muutke seadme tehnilisi omadusi.
- Sisseehitatud toote eraldi kasutamine on rangelt keelatud.
- Ärge pange seadmesse muid elektriseadmeid (nt jäätisemasinat), kui see pole tootja poolt ette nähtud.
- Kui külmaainesüsteemil tekib kahjustusi, siis veenduge, et ruumis ei oleks leeki ega süüteallikaid. Õhutage ruum korralikult.
- Jälgige, et kuumad esemed ei puutuks vastu seadme plastpindu.
- Ärge asetage karastusjooke sügavkülmkambrisse. See tekitab joogianumas rõhku.
- Ärge hoidke seadmes tuleohtlikke gaase ega vedelikke.
- Ärge pange tuleohtlikke või tuleohtliku ainega märgunud esemeid seadmesse, selle lähedusse ega peale.
- Ärge katsuge kompressorit ega kondensaatorit. Need on kuumad.
- Ärge võtke sügavkülmkambrist toiduaineid ega puudutage neid, kui teie käed on märjad või niisked.
- Ärge külmutage juba ülessulatatud toiduaineid uuesti.
- Järgige külmutatud toiduainete pakenditel olevaid säilitamisjuhiseid.
- Enne toidu sügavkülmkambrisse panemist pakkige see mistahes toiduga kokkupuutuvasse materjali.
- Ärge laske toiduainetel kokku puutuda seadme sektsioonide siseseintega.

2.4 Sisevalgustus



HOIATUS!
Elektrilöögi oht.

- See toode sisaldab ühte või enamat energiatõhususe F klassi valgusallikat.
- Teave selles seadmes olevate lampide ja eraldi müüdavate varulampide kohta: Need lambid taluvad ka koduste majapidamisseadmete äärmuslikumaid tingimusi, näiteks temperatuuri, vibratsiooni, niiskust või on mõeldud edastama infot seadme tööoleku kohta. Need pole mõeldud kasutamiseks muudes rakendustes ega sobi ruumide valgustamiseks.

2.5 Puhastus ja hooldus



HOIATUS!

Kehavigastuse või seadme kahjustamise oht.

- Enne hooldust lülitage seade välja ja ühendage toitepistik pistikupesast lahti.
- Selle seadme jahutusüksus sisaldab süsivesinikke. Süsteemi tohib hooldada ja laadida ainult kvalifitseeritud tehnik.
- Kontrollige regulaarselt külmiku äravooluava; vajadusel puhastage. Kui äravooluava on ummistunud, koguneb sulamisvesi seadme põhjale.

2.6 Hooldus

- Seadme parandamiseks võtke ühendust volitatud teeninduskeskusega. Kasutage ainult originaalvaruosi.
- Pidage meeles, et kui olete parandanud seadet ise või lasknud

seada teha ebapädeval isikul, võib see kahjustada seadme ohutust ja muuta garantii kehtetuks.

- Pärast mudeli tootmise lõpetamist on 7 aasta jooksul saadaval järgmised varuosad: termostaadid, temperatuuriandurid, trükkplaadid, valgusallikad, uksekäepidemed, uksehinged, küpsetusplaadid ja korvid. Uksetihendid on saadaval vähemalt 10 aasta jooksul pärast mudeli tootmise lõpetamist. Kestus võib teie riigis olla pikem. Lisateabe saamiseks külastage meie veebisaiti.
- Pidage meeles, et mõned varuosad on saadaval ainult ametlikele parandajatele ning et mõned varuosad ei pruugi kõigile mudelitele sobida.

2.7 Jäätmekäitlus



HOIATUS!

Vigastus- või lämbumisoht.

- Eemaldage seade vooluvõrgust.
- Lõigake toitekaabel seadme küljest lahti ja visake ära.
- Eemaldage uksekäepide, et vältida laste ja loomade seadmesse lõksujäämist.
- Selle seadme külmutusagensi süsteem ja isolatsioonimaterjalid on osoonisõbralikud.
- Isolatsioonivaht sisaldab tuleohtlikku gaasi. Seadme õige kõrvaldamise kohta saate täpsemad juhiseid kohalikest omavalitsusest.
- Ärge vigastage soojusvaheti läheduses paiknevat jahutusüksust.

3. PAIGALDAMINE



HOIATUS!

Vt ohutuse peatükke.



HOIATUS!

Seadme paigaldamise kohta leiate teavet paigaldusjuhistest.



HOIATUS!

Fikseerige seade vastavalt paigaldusjuhistele, et ära hoida seadme ebastabiilset asendit.

3.1 Mõõtmed



Üldmõõtmed ¹		
H1	mm	1772
W1	mm	546
D1	mm	549

¹ seadme kõrgus, laius ja sügavus ilma käepidemeta

Kasutamiseks vajalik ruum ²		
H2 (A+B)	mm	1816
W2	mm	546
D2	mm	551
A	mm	1780
B	mm	36

² seadme kõrgus, laius ja sügavus koos käepideme ja tugijalgadega, lisaks jahutusõhu vabaks ringluseks vajalik ruum

Üldine kasutamiseks vajalik ruum ³		
H3 (A+B)	mm	1816
W3	mm	546
D3	mm	1068

³ seadme kõrgus, laius ja sügavus koos käepideme ja tugijalgadega pluss jahutusõhu vabaks ringluseks vajalik ruum, lisaks minimaalne ukse avamiseks vajalik ruum, mis võimaldab eemaldada kõiki seadme sisemisi komponente

3.2 Asukoht

Seadme parima funktsionaalsuse tagamiseks ärge paigaldage seadet otsese päikesevalguse kätte. Ärge paigaldage seadet radiaatorite või pliitide, ahjude või pliidiplaatide lähedusse, välja arvatud juhul, kui paigaldusjuhistes on märgitud teisiti.

Jälgige, et õhk saaks ka seadme taga vabalt liikuda.

Seade tuleb paigaldada kuiva, hästiventileeritavasse siseruumi.

See seade on ette nähtud kasutamiseks siseruumis, mille temperatuur on vahemikus 10°C kuni 43°C.

i Seadme nõuetekohane töö on tagatud ainult ettenähtud temperatuurivahemikus.

i Kui teil on kahtlusi seadme paigalduskoha suhtes, pöörduge tarnija, meie klienditeeninduse või lähima volitatud hoolduskeskuse poole.

i Seadet peab olema võimalik vooluvõrgust lahutada. Seetõttu peab pistik olema kergesti ligipääsetav ka pärast paigaldamist.

3.3 Elektriühendus

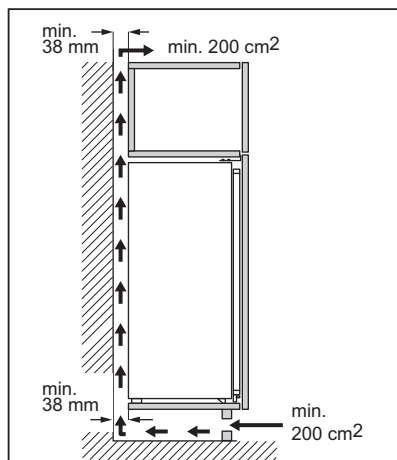
- Enne vooluvõrku ühendamist veenduge, et andmesildil näidatud pinged ja sagedus vastavad teie kodusele toiteallikale.
- Seade peab olema maandatud. Toitekaabli pistik on selleks otstarbeks varustatud kontaktiga. Kui koduse toiteallika pistikupesaga pole maandatud, ühendage seade kehtivate eeskirjade kohaselt eraldi

maandusega, konsulteerides kvalifitseeritud elektrikuga.

- Tootja loobub mistahes vastutusest, kui ülaltoodud ettevaatusabinõusid ei järgita.

3.4 Nõuded ventilatsioonile

Seadme taga peab olema piisav õhuvool.



ETTEVAATUST!

Ühendamise instruksioonid leiate paigaldusjuhistest.

3.5 Ukse avamissuuna muutmine

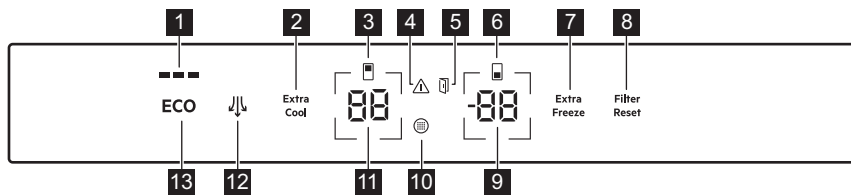
Juhised paigaldamise ja ukse avamissuuna muutmise kohta leiate eraldi dokumendist.



ETTEVAATUST!

Ukse avamissuuna igakordsel muutmisel asetage põranda kaitsmiseks maha vastupidav materjal.

4. JUHTPANEEL



- 1** ECOMETER indikaator
- 2** Extra Cool nupp / indikaator
- 3** Külmikusektsiooni indikaator
- 4** Alarmi indikaator
- 5** Lahtise ukse alarmi indikaator
- 6** Sügavkülmasektsiooni indikaator
- 7** Extra Freeze nupp / indikaator
- 8** Filter Reset alarmi nupp / indikaator
- 9** Sügavkülmi temperatuuri nupp / indikaator
- 10** Õhufiltri asendamise indikaator
- 11** Külmi temperatuuri nupp / indikaator
- 12** Ventilaator nupp / indikaator
- 13** ECO nupp

4.1 Sisse lülitamine

Ühendage toitepistik pistikupesaga.

Erineva temperatuuri valimiseks vt jaotist "Temperatuuri reguleerimine".

Kui ekraanile ilmub **dE on**, vaadake jaotist "Törkeotsing".

4.2 Väljalülitamine

1. Vajutage ja hoidke samaaegselt 5 sekundi jooksul allavajutatud asendis külmi temperatuuri nuppu ja sügavkülmi temperatuuri nuppu

Ekraanil kuvatakse vilkuv **OF**.

2. Kui seade on välja lülitatud, kuvatakse ekraanil **OF**.
3. Lahutage toitepistik seinakontaktist.

4.3 Temperatuuri reguleerimine

Temperatuurivahemik võib olla $-15\text{ }^{\circ}\text{C}$ kuni $-24\text{ }^{\circ}\text{C}$ sügavkülmi puhul ja $2\text{ }^{\circ}\text{C}$ kuni $8\text{ }^{\circ}\text{C}$ külmi puhul.

Seadme temperatuuri seadmiseks vajutage temperatuurinuppe.

Soovitav valitud temperatuur:

- $+4\text{ }^{\circ}\text{C}$ külmi jaoks;
 - $-18\text{ }^{\circ}\text{C}$ sügavkülmi jaoks
- Soovitava temperatuuri saate temperatuurinuppude abil seada käsitsi või lülitades sisse funktsiooni ECO funktsioon. Lisateavet vt jaotisest "ECO funktsioon".

Temperatuuri indikaatoritel kuvatakse seadud temperatuur.



Seadud temperatuur saavutatakse 24 tunni jooksul. Pärast voolukatkestust naaseb seade seadud temperatuurile.

4.4 Külmi välja lülitamine

Vajadusel saab külmikusektsiooni eraldi välja lülitada, jättes sügavkülmi sektsiooni sisse lülitatuks.

1. Vajutage ja hoidke külmi temperatuurinuppu 5 sekundit all.

Ekraanil kuvatakse vilkuv **OF**.

2. Kui külmiuosa on välja lülitatud, kuvatakse ekraanil **OF**.


4.5 Külmi sisselülitamine

Külmi sisse lülitamiseks:

1. Vajutage ja hoidke külmi temperatuurinuppu 5 sekundit all.

Ekraanil kuvatakse vilkuv **On**.

2. Külmikusektsioon lülitub sisse ja taastatakse eelmine seadud temperatuur.

-  Temperatuuri reguleerimiseks vaadake jaotist "Temperatuuri reguleerimine".

4.6 ECO funktsioon


Funktsioon ECO määrab optimaalse temperatuuri, et tagada toidu säilivus, minimeerides samal ajal energiatarbimist.


1. Funktsiooni sisselülitamiseks vajutage nuppu ECO.

Külmkapi temperatuur on seatud väärtusele +4 °C ja sügavkülmiku temperatuur väärtusele -18 °C.

2. Funktsiooni väljalülitamiseks vajutage uuesti nuppu ECO või valige erinev seatud temperatuur (vt jaotist "Temperatuuri reguleerimine").

Pärast funktsiooni ECO väljalülitamist seatakse külmiku temperatuur väärtusele +2°C ja sügavkülmiku temperatuur väärtusele -20°C.

-  ECO aktiveerimine deaktiveerib Extra Cool ja Extra Freeze funktsioonid.

-  Indikaator ECOMETER näitab seadme praegust energiatarbimist. Kolm täielikult valgustatud riba näitavad kõige energiasäästlikumat seadistust.

4.7 Extra Cool funktsioon

Funktsiooniga Extra Cool saate kiiresti jahutada suuri koguseid sooja toitu, näiteks pärast toidukaupade ostmist, soojendamata toitu, mis on juba külmikusektsioonis hoiul.


Funktsiooni sisselülitamiseks vajutage nuppu Extra Cool.

Extra Cool Indikaator süttib. Kui funktsioon Extra Cool on sisse lülitatud, võib ventilaator automaatselt töötada.

See funktsioon lülitub automaatselt välja ligikaudu 6 tunni pärast. Kui funktsioon


on välja lülitatud, kustub indikaator Extra Cool.

Vajutage nuppu Extra Cool, et deaktiveerida funktsioon Extra Cool enne selle automaatselt lõppemist.

-  Külmiku jaoks erineva temperatuuri määramiseks lülitage funktsioon Extra Cool välja ja vaadake jaotist "Temperatuuri reguleerimine".

4.8 Extra Freeze funktsioon

Funktsiooni Extra Freeze kasutatakse toiduainete eel- ja kiirkülmutamiseks enne nende paigutamist sügavkülmasektsiooni. See funktsioon kiirendab värsket toidu külmutamist, vältides samal ajal juba sügavkülmas olevate toiduainete ebasoovitavat soojenemist.

-  Värske toidu külmutamiseks lülitage funktsioon Extra Freeze sisse vähemalt 24 tundi enne toidu lõplikku eelkülmutamist.

Selle funktsiooni sisselülitamiseks vajutage nuppu Extra Freeze.

Indikaator Extra Freeze süttib. Extra Freeze funktsioon lülitub automaatselt välja alles maksimaalselt 52 tunni pärast.

Vajutage nuppu Extra Freeze, et deaktiveerida funktsioon Extra Freeze enne selle automaatselt lõppemist.

4.9 Ventilaator funktsioon

Külmikusektsioon on varustatud seadmega, mis võimaldab toiduainete kiiret jahutamist ja tagab sektsioonis kõrge ühtlase temperatuuri.

See seadis lülitub vajaduse korral automaatselt sisse või lülitatakse käsitsi sisse.

Funktsiooni sisselülitamiseks vajutage nuppu Ventilaator. Indikaator Ventilaatori süttib.

Funktsiooni väljalülitamiseks vajutage uuesti nuppu Ventilaator. Indikaator Ventilaator kustub.



Kui funktsioon lülitub sisse automaatselt, siis indikaator Ventilaator ei sütti. Ventilaatori funktsiooni Ventilaator sisselülitamine suurendab müra ja energiatarbimist.

Ventilaator töötab ainult siis, kui uks on suletud.

4.10 Kõrge temperatuuri alarm

Kui temperatuur sügavkülmasektsioonis tõuseb (näiteks varasema voolukatkestuse tõttu), vilgub alarmi indikaator, sügavkülmiku temperatuuri indikaator kuvab näidu H° ja vilgub ning heli on sees.

Helisignaali deaktiveerimiseks vajutage mistahes nuppu.

Alarmi indikaator ja heli lülituvad välja. Sügavkülmiku temperatuuri indikaator kuvab 5 sekundiks näidu H°, enne kui kuvab uuesti sügavkülmiku temperatuuri.



Alarm taaskäivitub üks tund pärast deaktiveerimist, kuni normaalsed tingimused taastuvad.

Kui nuppu ei vajutata, lülitub helisignaali automaatselt umbes tunni aja pärast välja, et ümbruskonda mitte häirida.

4.11 Ukse avamise alarm

Kui külmiku uks jäetakse lahti umbes 5 minutiks või kui sügavkülmiku uks jäetakse lahti umbes 80 sekundiks, kostab heli ja ukse lahtioleku alarmi indikaator süttib. Vilkuma võib hakata ka külmiku sisemine tuli.

Signaal vaikib, kui te ukse sulgete. Vajutage suvalist nuppu, et heli



Kui nuppu ei vajutata, lülitub helisignaali automaatselt umbes tunni aja pärast välja, et ümbruskonda mitte häirida.

4.12 Õhufiltri asendamise indikaator

Kui õhufilter on aegunud ja vajab väljavahetamist, süttivad Õhufiltri asendamise indikaator ja Filter Reset häireindikaator.

Asendamise juhiste saamiseks vaadake peatüki "Puhastus ja hooldus" jaotist "CleanAir+ filtri paigaldamine ja asendamine".

Pärast filtri vahetamist vajutage häire väljalülitamiseks juhtpaneelil Filter Reset häire nuppu.

4.13 Seaderežiim

Seaderežiim võimaldab järgmist.

- Lubage või keelake indikaator ECOMETER
- Lubage või keelake nuppude helid
- Muutke temperatuuriühikud ühikult °C ühikule °F
- Lähtestab kõik seadme tehaseseaded

Seaderežiimi aktiveerimine

Seaderežiimi aktiveerimine.

1. Vajutage nuppu ECO ja hoidke seda ligikaudu 3 sekundit all. Kui seaderežiim on aktiveeritud, kuvatakse ekraanil vilkuv **SE EE**.
2. Kui seaderežiim on sisse lülitatud, kuvatakse ekraanil **PE On**.

Seaderežiimi deaktiveerimiseks vajutage ja hoidke nuppu ECO umbes 3 sekundit all.

Seaderežiim deaktiveerub automaatselt, kui te 60 sekundi jooksul juhtpaneeliga ei suhtle.

Seaderežiimis navigeerimine

1. Aktiveerige seaderežiim (vt "Seaderežiimi aktiveerimine"). Näidikul kuvatakse **PE On**.
2. Parameetri muutmiseks puudutage temperatuuri nuppu (vasakul). Parameetri muutmiseks puudutage temperatuuri nuppu (paremal).

Ekraan	Vaikeparameetrid
PE On	ECOMETER indikaator
ES On	Nupu helid
CF °C	Temperatuuriühikud
FS 03	Tehaseseaded

ECOMETER indikaator

Seadme ECOMETER sisse või välja lülitamiseks tehke järgmist.

1. Aktiveerige seaderežiim (vt "Seaderežiimi aktiveerimine"). Näidikul kuvatakse PE On.
2. Puudutage korduvalt nuppu On. Indikaator näitab vastavalt On lubatud indikaatori puhul või Of keelatud indikaatori puhul. ECOMETER
3. Vajutage seadmel nuppu ECO ja hoidke seda ligikaudu 3 sekundit all, et seaderežiimist väljuda.

Nupu helid

Nupuhelid saate lubada või keelata seaderežiimis. Helide lubamiseks või keelamiseks tehke järgmist.

1. Aktiveerige seaderežiim (vt "Seaderežiimi aktiveerimine"). Näidikul kuvatakse PE On.
2. Puudutage korduvalt nuppu PE, kuni näete ES. Helide sisse või välja lülitamiseks puudutage nuppu On. Indikaatori väärtus muutub lubatud helide puhul väärtuseks On või keelatud helide puhul väärtuseks Of.

3. Vajutage seadmel nuppu ECO ja hoidke seda ligikaudu 3 sekundit all, et seaderežiimist väljuda.

Temperatuuriühikud

Kasutades seaderežiimi, saate lülitada ümber juhtpaneelil kuvatava Celsiuse ja Fahrenheidi temperatuuriühikute vahel. Temperatuuriühiku muutmiseks tehke järgmist.

1. Aktiveerige seaderežiim (vt "Seaderežiimi aktiveerimine"). Näidikul kuvatakse PE On.
2. Puudutage korduvalt nuppu PE kuni näete CF ja °C. Puudutage ühikut näitavat indikaatorit, et valida Celsiuse jaoks °C ja Fahrenheiti jaoks °F.
3. Vajutage seadmel nuppu ECO ja hoidke seda ligikaudu 3 sekundit all, et seaderežiimist väljuda.

Tehaseseaded

See funktsioon lähtestab iga sätte tehase vaikeseadetele. Tehase vaikeseadete taastamiseks toimige järgmiselt.

1. Aktiveerige seaderežiim (vt "Seaderežiimi aktiveerimine"). Näidikul kuvatakse PE On.
2. Puudutage korduvalt nuppu PE, kuni näete FS ja 03. Puudutage korduvalt nuppu 03, kuni näete On. On hakkab vilkuma FS ja seejärel jääb pidevalt põlema 03, mis näitab, et tehaseseaded on taastatud.
3. Vajutage seadmel nuppu ECO ja hoidke seda ligikaudu 3 sekundit all, et seaderežiimist väljuda.

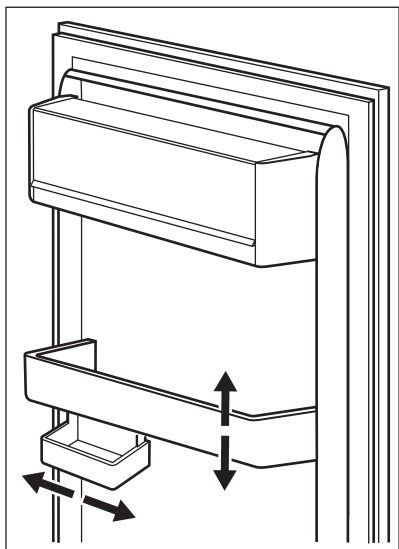
5. IGAPÄEVANE KASUTUS

5.1 Ukseriulite paigutamine

Erineva suurusega toidupakendite hoiustamiseks saab ukseriulid paigutada erinevatele kõrgustele.

1. Tõmmake riulit ülespoole, kuni see lahti tuleb.

2. Paigutage oma soovide järgi.



See mudel on varustatud varieeritava hoiukastiga, mida saab nihutada külgsuunas.

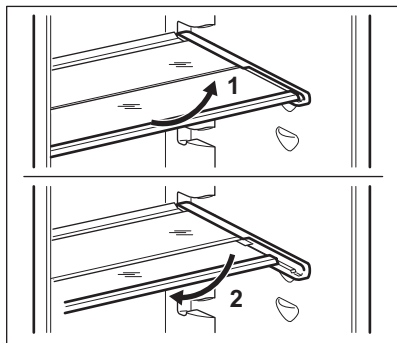
5.2 Liigutatavad riiulid

Külmiku seintel on mitu siini, mille abil saab riiuleid paigaldada nii, nagu teile meeldib.

See seade on varustatud ka kahest osast koosneva riiuliga. Ruumi paremaks ära kasutamiseks saab riiuli eesmise osa paigutada tagamise osa alla.

Riiuli kokkupanemiseks:

1. Võtke eesmine osa õrnalt välja.
2. Libistage see teise osa all olevale siinile.



- i** Õige õhuringluse tagamiseks ärge eemaldage klaasriiulit, mis asub juurviljasahtli kohal.

5.3 GreenZone sahtel

Külmikusektsiooni alumises osas on väljatõmmatav sahtel.

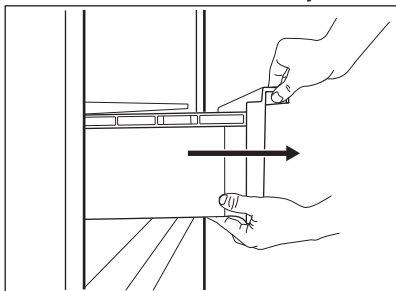
GreenZone klaasriiulil on seade, mis reguleerib selle tihedust ja mida saab kasutada sahtlisese niiskuse reguleerimiseks.

5.4 GreenZone sahtli eemaldamine

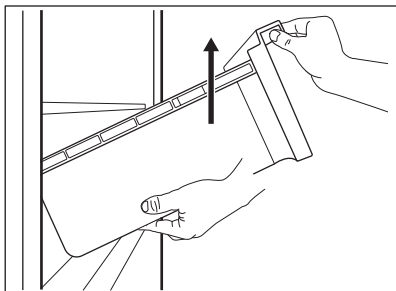
- i** Enne külmikust väljavõtmist on soovitatav -sahtel tühjaks teha.

Sahtli eemaldamine:

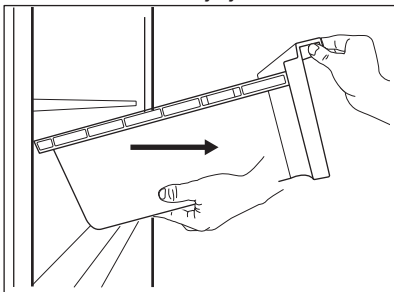
1. Tõmmake sahtel külmikust välja.



2. Tõstke sahtli esiosa üles.

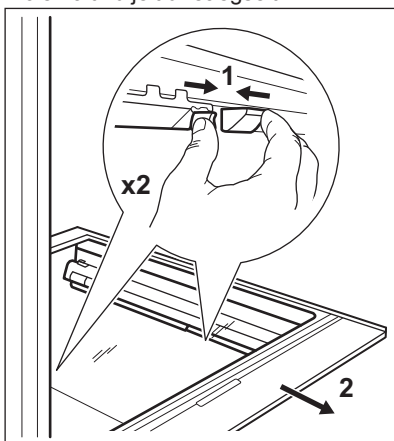


3. Tõmmake sahtel välja ja tõstke üles.

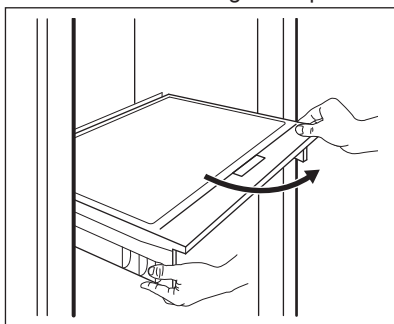


Sahtli GreenZone klaaskatte eemaldamiseks tehke järgmist.

1. Avage külgmised kinnitusklambrid mõlemalt küljelt üheaegselt.



2. Tõmmake klaasriiuli tugi enda poole.



5.5 Niiskuskontroll

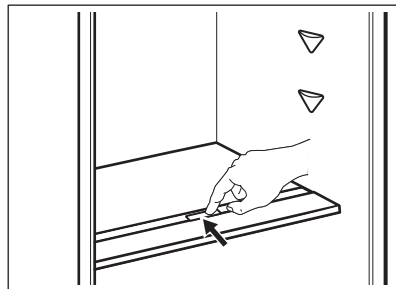
GreenZone klaasriiulil on seade, mis reguleerib selle tihedust ja mida saab kasutada sahtlisisese niiskuse reguleerimiseks.



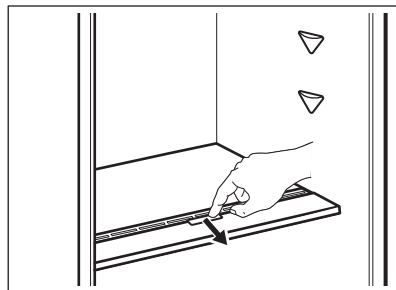
Ärge asetage toiduaineid niiskuse regulaatorile.

Niiskusregulaatori asend oleneb puu- ja juurviljade liigist ja kogusest:

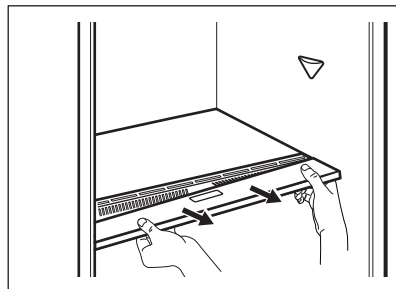
- Suletud pilud: soovitatav väikestes kogustes puu- ja juurviljade jaoks. See tagab puu- ja köögiviljades loodusliku niiskusespikemaajalise säilimise.



- Avatud pilud: soovitatav suuremates kogustes puu- ja juurviljade jaoks. See tagab suurema õhuringluse, mille tulemuseks on madalam õhuniiskus.



Niiskuse reguleerimise seadme eemaldamiseks avage klaasriiuli all olev sahtel ja tõmmake kate välja.



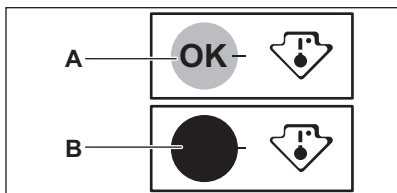
- i** Sõltuvalt GreenZone sahtlits hoitavate puu- ja juurviljade kogusest ja seisundist võib tekkida kondensaad. Sellisel juhul eemaldage kondensaad pehme lapiga ja seadke niiskuse regulaator madalama niiskuse asendisse.

5.6 Temperatuuri indikaator

Toidu õigeks säilitamiseks on külmik varustatud temperatuuri indikaatoriga. Seadme külgeinal asuv sümbol osutab külmiku kõige külmemale alale.

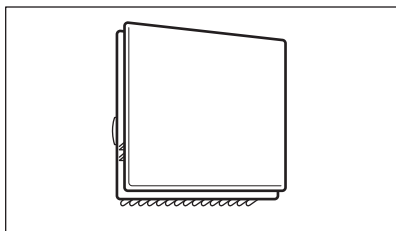
Kui OK näidikul kuvatakse (A), pange värsked toiduained sümboliga näidatud alasse, kui aga mitte (B), oodake vähemalt 12 tundi ja kontrollige, kas see on OK (A).

Kui see ei ole veel OK (B), seadke reguleerimisnupp külmemale tasemele.



5.7 Ventilaator

Külmikusektsioon on varustatud seadisega, mis võimaldab toiduainete kiiret jahutamist ja hoiab sektsioonis ühtlasemat temperatuuri.



See seadis lülitub vajadusel automaatselt sisse.

Seadise saab vajadusel ka käsitsi sisse lülitada (vt jaotist „Ventilaator-funktsioon“).

- i** Ventilaator töötab ainult siis, kui uks on suletud.
- i** Ärge eemaldage ventilaatori katet.

5.8 CleanAir+ filter

Seadmes on CleanAir+ söefilter.

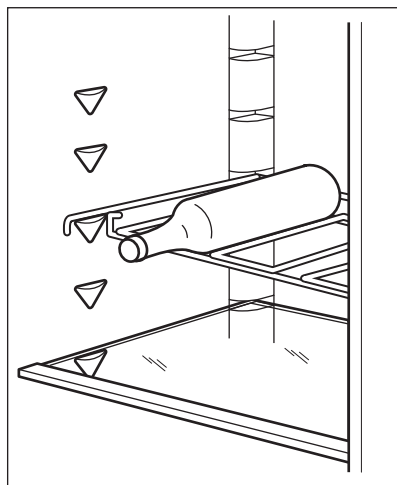
See filter puhastab õhku soovimatutest lõhnadest külmikuosas, et parandada toidu kvaliteeti.

Tarnimisel on filter ja selle plastkorpus koos teiste lisatarvikutega kilekotis (paigaldamise kohta vaadake jaotist "CleanAir+ filtri paigaldamine ja asendamine" peatükis "Puhastus ja hooldus").

5.9 Pudelirest

Asetage pudelid (pudelisuuga ettepoole) eelnevalt paika pandud riulile.

- i** Asetage riulile ainult suletud pudelid.



5.10 Värske toidu külmutamine

Sügavkülmasektsioon on ette nähtud värske toidu külmutamiseks ning sügavkülmutatud ja külmutatud toiduainete pikaajaliseks säilitamiseks.

Värske toidu külmutamiseks lülitage Extra Freeze-funktsioon sisse vähemalt 24 tundi enne toidu sügavkülmasektsiooni panemist.

Jaotage värsked toiduained ühtlaselt ülevalt esimesse sektsiooni või sahtlisse.

Maksimaalne toidu kogus, mida uusi toiduaineid lisamata 24 tunni jooksul külmutada saab, on toodud seadme siseküljel asuval andmesildil.

Kui külmutusprotsess on lõppenud, pöördub seade automaatselt tagasi eelmise temperatuurisäätte juurde (vt "Extra Freeze-funktsioon").

Lisateavet vt "Nõuanded külmutamiseks".

5.11 Külmutatud toiduainete säilitamine

Enne seadme esmakordset käivitamist või pärast pikemaajalist kasutuspausi laske seadmel enne toiduainete sissepanekut vähemalt 3 tundi töötada funktsioonil Extra Freeze.

Sügavkülmiku sahtlid tagavad soovitud toiduainepakendi kiire ja hõlpsa leidmise.

Kui soovite säilitada suurt kogust toitu, eemaldage kõik sahtlid ja pange toiduained riiulitele.

Jälgige, et toiduained ei oleks uksele lähemal kui 15 mm.



ETTEVAATUST!

Sulamisprotsessi tahtmatul käivitumisel, näiteks elektrikatkestuse tõttu, kui seade on olnud tooteta kauem kui andmeplaadil toodud "tempreatuuri tõusu aeg" seda lubab, tuleb sulatatud toit kiiresti ära tarvitada või koheselt küpsetada ning seejärel jahutada ja uuesti külmutada. Vt jaotist "Kõrge temperatuuri alarm".

5.12 Sulatamine

Sügavkülmutatud või külmutatud toiduaineid võib enne tarvitamist sulatada külmikus või külma vette asetatud kilekotis.

See oleneb saadaolevast ajast ja toidu tüübist. Väikseid toiduportsjoneid võib küpsetada ka külmutatult.

5.13 Jääkuubikute valmistamine

Seadmel on olemas üks või mitu mahutit jääkuubikute valmistamiseks.



Mahutite külmikust väljavõtmiseks ärge kasutage metallesemeid.

1. Täitke need mahutid veega.
2. Asetage jäämahutid sügavkülmikusektsiooni.

6. VIHJED JA NÄPUNÄITEID

6.1 Näpunäiteid energia säästmiseks


- Sügavkülmik: Seadme sisemine konfiguratsioon tagab kõige efektiivsema energiakasutuse.
- Külmik Kõige efektiivsem energiakasutus on tagatud sellega, kui sahtlid paiknevad seadme allosas ja riulid on paigutatud ühtlaste vahedega. Ukseriulite paigutus energiatarbimist ei mõjuta.
- Ärge avage ust sageli ega jätke seda lahti kauemaks kui vaja.
- Sügavkülmik: Mida madalamaks on temperatuur seatud, seda suurem on energiatarbimine.
- Külmik Ärge valige liiga kõrget temperatuuri, et energiat säästa, kui toiduainete kirjelduses teisiti ei öelda.
- Kui seade on täis ja seda ümbritsev temperatuur on kõrge või temperatuur on seatud madalaks, võib kompressor pidevalt töötada, põhjustades härmatise või jää tekkimist aurustil. Sellisel juhul seadke temperatuur kõrgemaks, et võimaldada automaatsulatust ja sel viisil energiat kokku hoida.
- Tagage hea ventilatsioon. Ärge katke ventilatsiooniavasid ega -võret kinni.
- Jälgige, et seadmes olevad toiduained oleks paigutatud nii, et õhk saaks seadme tagaosas olevate vastavate õhuavad kaudu liikuda.

6.2 Nõuanded külmutamiseks

- Lülitage Extra Freeze funktsioon sisse vähemalt 24 tundi enne toiduainete sügavkülmikusse asetamist.
- Enne külmutamist pakkige toiduained hermeetiliselt alumiiniumfooliumisse, plastkilesse või -kotti või õhukindlasse kaanega nõusse.
- Külmutamise ja sulatamise hõlbustamiseks jagage toiduained väiksemateks portsjoniteks.
- Soovitav on külmutatavatele toiduainetele lisada kuupäevadega sildid. See aitab teil toiduaineid tuvastada ja otsustada, millises järjekorras need enne kvaliteedi halvenemist ära tarvitada.

- Kvaliteedi tagamiseks peavad külmutatavad toiduained olema täiesti värsked. See kehtib eeskätt puu- ja juurviljade puhul, mis toitainete säilimise kindlustamiseks tuleb külmutada kohe pärast korjamist.
- Ärge külmutage vedelikke sisaldavaid pudeleid ega purke, eriti aga süsihappegaasiga jooke, sest need võivad külmutamise ajal plahvatada.
- Ärge pange sügavkülmkambrissooja toitu. Enne hoiule panekut laske toidul jahtuda toatemperatuurini.
- Et vältida juba külmutatud toiduainete temperatuuri tõusu, ärge asetage külmutamata toiduaineid nende vahetusse lähedusse. Pange toatemperatuuriga toiduained sügavkülmkambris sellesse ossa, kus külmutatud toiduaineid veel ei ole.
- Ärge sööge jääkuubikuid, mahla jääd või jääkomme kohe pärast sügavkülmikust väljavõtmist. Külmakahjustuse oht!
- Sulatada toitu ei tohi uuesti külmutada. Kui toit on sulanud, tuleb see kuumtöödelda, jahutada ja alles siis külmutada.

6.3 Näpunäiteid külmutatud toiduainete säilitamiseks

- Sügavkülmaseksioon on tähistatud sümboliga .
- Sobivaim temperatuur, mis tagab külmutatud toiduainete säilimise, on -18 °C või sellest madalam. Kõrgem temperatuur külmikus võib toidu säilivusaega lühendada.
- Külmutatud toiduainete säilitamiseks sobib kogu sügavkülmikuseksioon.
- Jätke toiduainete ümber veidi vaba ruumi, et õhk pääseks vabalt liikuma.
- Õigete säilitusnõuete teadasaamiseks vaadake kindlasti pakendil toodud teavet.
- Tähtis on pakkida toiduained nii, et vesi, niiskus või kondensvesi ei pääse pakendisse.

6.4 Ostunõuanded

Pärast sisseoste:

- Kontrollige, ega pakend pole katki - selline toit võib olla riknenud. Kui pakend on paisunud või märg, võib see viidata valedele säilitustingimustele ja sellele, et sulamine võib olla juba alanud.
- Et piirata külmutatud toiduainete sulamahakkamist, ostke need alati kõige viimasena ja kasutage transportimisel termoisolatsiooniga külmakotti.
- Poest koju jõudes asetage külmutatud toiduained kohe sügavkülmikusse.
- Kui märkate, et toit on kasvõi osaliselt sulanud, ärge seda uuesti külmutage. Tarvitage see ära esimesel võimalusel.
- Jälgige aegumiskuupäeva ja muud pakendil olevat säilitusinfot.

6.5 Säilivusaeg sügavkülmasektsioonis


Toiduaine tüüp	Säilivusaeg (kuud)
Leib	3
Puuviljad (välja arvatud tsitruselised)	6 - 12
Köögiviljad	8 - 10
Järelejäänud toit, lihata	1 - 2
Piimatooted	
Või	6 - 9
Pehme juust (nt mozzarella)	3 - 4
Kõva juust (nt parmesan, tšedar)	6
Mereannid	
Rasvane kala (nt lõhe, makrell)	2 - 3
Lahja kala (nt tursk, lest)	4 - 6
Krevetid	12
Puhastatud merekarbid ja rannakarbid	3 - 4
Küpsetatud kala	1 - 2
Liha	
Linnuliha	9 - 12
Veiseliha	6 - 12
Sealiha	4 - 6
Lambaliha	6 - 9
Vorst	1 - 2
Sink	1 - 2
Järelejäänud toit, lihaga	2 - 3

6.6 Nõuanded värsket toidu jahutamiseks

- Sobivaim temperatuur, mis tagab värsket toidu säilimise, on +4°C või sellest madalam.
- Kõrgem temperatuur külmikus võib toiduainete säilivusaega lühendada.
- Toidu värskuse ja lõhna säilitamiseks katke see kinni.
- Häiriva lõhna vältimiseks tuleb nii vedelikke kui ka muid toiduaineid säilitada külmikus suletud anumates.
- Toorete toiduainete ja valmistoidu ristsaastumise ärahoidmiseks katke valmistoit kinni ja hoidke seda tooretest toiduainetest eraldi.
- Külmutatud toiduaineid soovitatakse sulatada külmikus.

- Ärge pange külmikusse sooja toitu. Enne külmikusse panekut jahutage toit toatemperatuurini.
- Toidu raiskamise vältimiseks asetage uuemad toiduained alati tahapoole.

6.7 Näpunäiteid toidu säilitamiseks külmikus

- Värske toidu sektsioon on tähistatud (andmeplaadil) sümboliga .
- Liha (igat tüüpi): mähkige sobivasse pakendisse ja pange köögiviljasahtli kohal olevale klaasriiulile. Ärge säilitage liha kauem kui 1–2 päeva.
- Puu- ja köögiviljad: puhastage põhjalikult (eemaldage muld) ja asetage spetsiaalsesse sahtlisse (köögiviljasahtlisse).
- Eksootilisi puuvilju (banaane, mangosid, papaiat jms) pole soovitatav külmikusse panna.

- Külmikus ei tohiks hoida selliseid köögivilju nagu tomatid, kartulid, sibulad ja küüslauk.
- Või ja juust: pange õhukindlasse nõusse või mässige alumiiniumfooliumi või polüetüleenkotti ning suruge sealt võimalikult palju õhku välja.
- Pudelid: keerake peale kork ja paigutage ukse küljes olevale pudeliriivile või pudelirestile (kui see on olemas).
- Toiduainete jahtumise kiirendamiseks on soovitatav sisse lülitada ventilaator. Ventilaator sisselülitamine tagab ühtlasema temperatuuri.
- Vaadake alati toiduainete säilituskuupäeva, et leida teavet säilitamise kestuse kohta.

7. PUHASTUS JA HOOLDUS



HOIATUS!

Vt ohutuse peatükke.

7.1 Sisemuse puhastamine

Enne seadme esmakordset kasutamist tuleks selle sisemust ja kõiki sisemisi tarvikuid pesta leige vee ja neutraalse pesuvahendiga, et uuele tootele iseloomulik lõhn täielikult eemaldada ning lasta seejärel seadmel täielikult ära kuivada.



ETTEVAATUST!

Ärge kasutage pesuaineid, abrasiivpulbreid, kloori- või õlipõhiseid puhastusvahendeid, sest need võivad seadme pinda kahjustada.



ETTEVAATUST!

Seadme tarvikuid ja osi ei tohi pesta nõudepesumasinas.



ETTEVAATUST!

Puhastage juhtpaneeli niiske lapiga. Ärge kasutage mistahes pesuaineid. Pärast puhastamist kuivatage juhtpaneel pehme lapiga.

7.2 Regulaarne puhastamine

Seadet tuleb regulaarselt puhastada:

1. Puhastage seadme sisemus ja tarvikud sooja vee ja neutraalse pesuvahendiga.
2. Kontrollige regulaarselt uksetihendeid ja pühkige need puhtaks, eemaldades mustuse ja prahi.
3. Loputage ja kuivatage põhjalikult.

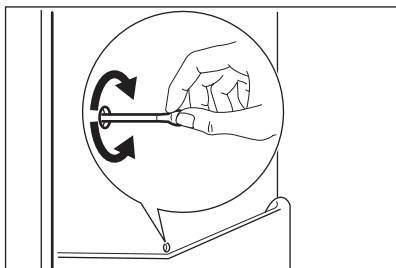
7.3 Külmkapi sulatamine

Tavakasutuse käigus eemaldatakse härmatis külmikusektsiooni aurustist automaatselt. Sulatatud vesi voolab läbi väljavoolu spetsiaalsesse anumasse seadme taga, mootorikompressori kohal, kus see aurustub.

Oluline on perioodiliselt puhastada sulatatud vee äravooluava

külmikusektsiooni kanali keskel, et vältida vee ülevoolamist ja tilkumist sees olevale toidule.

Kasutage selleks tarvikute kotis olevat spetsiaalset torupuhastajat.



7.4 Sügavkülmiku sulatamine

Sügavkülmutisektsioon on härmatisevaba. See tähendab, et kasutamise käigus ei teki härmatist ei seadme siseseleitele ega ka toiduainetele.

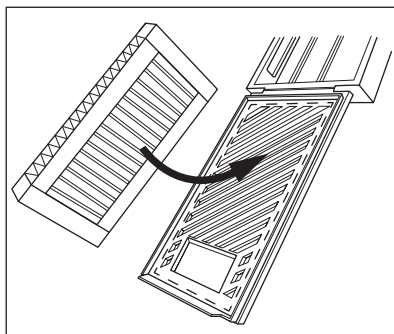
7.5 CleanAir+ filtri paigaldamine ja asendamine

CleanAir+ filter kujutab endast aktiivsöefiltrit, mis imab halbu lõhnu ning säilitab kõigi toitude parima maitse ja aroomi ilma lõhnade segunemise ohuta.

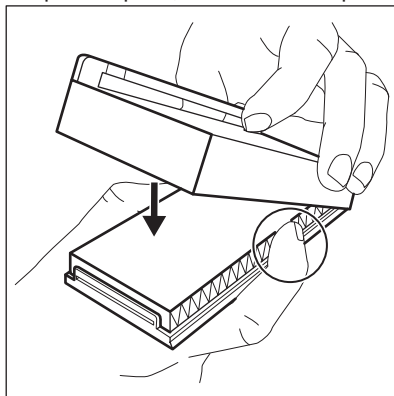
- i** Käsitsege õhufiltrit ettevaatlikult, et vältida selle pinna kriimustamist. Seadme tarnimisel on filter plastkottis, et selle jõudlus säiliks.

Enne seadme aktiveerimist paigaldage õhufilter.

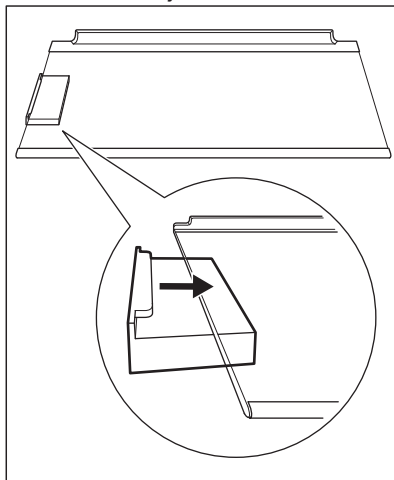
1. Võtke õhufilter kilekotist välja.
2. Avage plastkorpus ja asetage volditud pind restile, sobitades filtri märgitud ala sisse võrega kaetud pinnal.



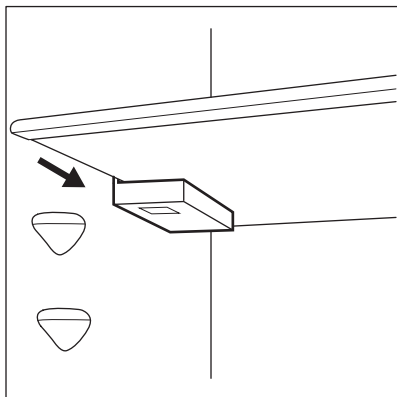
3. Hoidke filtrit all, sulgedes samal ajal plastkorpuse, kuni kuulete klõpsatust.



4. Eemaldage külmikusektsioonist ülemine klaasriul. Lükake plastkorpus koos õhufiltriga klaasriuli vasakule küljele.

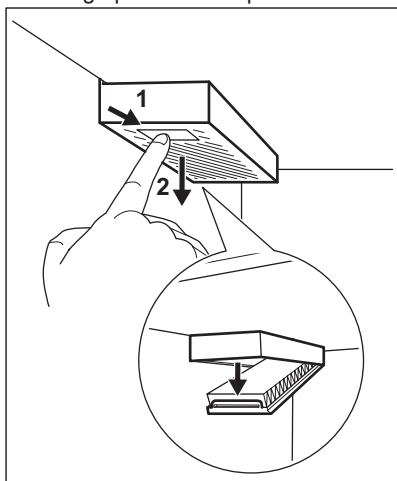


5. Sisestage klaasriiul tagasi külmikusektsiooni. Olge klaasriiuli sisestamisel ettevaatlik, et te ei tabaks filtrit.



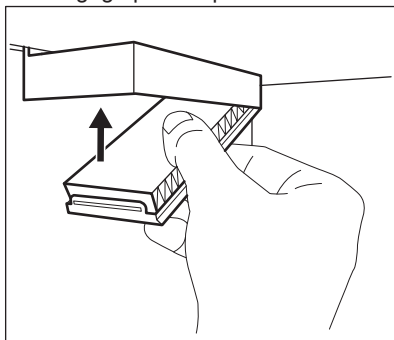
Õhufiltri vahetamine

1. Avage plastikust korpus.



2. Tõmmake kasutatud õhufilter välja.
3. Võtke uus õhufilter kilekotist välja ja sisestage see sahtlisse.

4. Sulgege plastkorpus.



5. Pärast filtri vahetamist vajutage Filter Reset alarmi nuppu juhtpaneelil, et alarm välja lülitada.

Parima efektiivsuse saavutamiseks asetage plastkorpus õigesse kohta (klaasriiulist vasakule) ja vahetage filtrit iga 6 kuu järel. Lisateabeks vaadake "Õhufiltri asendamise indikaator".



Õhufilter on kulutarvik ja see ei kuulu garantii alla. Uued õhufiltrid saate osta kohalikul edasimüüjal.

7.6 Seadme mittekasutamise periood

Kui seadet pikema aja jooksul ei kasutata, siis rakendage järgmisi ohutusmeetmeid:

1. Ühendage seade vooluvõrgust lahti.
2. Tühjendage see toiduainetest.
3. Puhastage seade ja kõik lisatarvikud.
4. Jätke uksed lahti, et vältida halbade lõhnade tekkimist.

8. TÕRKEOTSING



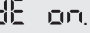

HOIATUS!

Vt ohutuse peatükke.

8.1 Mida teha, kui...

Probleem	Võimalik põhjus	Lahendus
Seade ei tööta.	Seade on välja lülitatud.	Lülitage seade sisse.
	Pistik ei ole pistikupesaga ühendatud.	Ühendage pistik nõuetekohaselt pistikupesaga.
	Pistikupesas puudub pinget.	Ühendage mõni teine seade pistikupesasse. Võtke ühendust kogemustega elektrikuga.
Seade tekitab müra.	Seade on valesti toetatud.	Kontrollige seadme stabiilsust.
Heli- või visuaalne hoiatus on sees.	Seade on hiljuti sisse lülitatud.	Vaadake "Kõrge temperatuuri alarm" või "Ukse avamise alarm".
	Valitud temperatuur seadmes on liiga kõrge.	Vaadake "Kõrge temperatuuri alarm" või "Ukse avamise alarm".
	Uks on lahti jäetud.	Sulgege uks.
Kompressor töötab kogu aeg.	Temperatuur on valesti seatud.	Vaadake "Juhtpaneel" peatükki.
	Panite külmikusse korraga liiga palju toiduaineid.	Oodake mõni tund, seejärel kontrollige uuesti temperatuuri.
	Ruumi temperatuur on liiga kõrge.	Vaadake "Paigaldamine" peatükki.
	Seadmesse paigutatud toiduained olid liiga soojad.	Enne külmikusse paigutamist laske neil jahtuda toatemperatuurini.
	Seadme uks ei ole korralikult kinni.	Vaadake "Ukse sulgemine" jaotist.
	Extra Freeze-funktsioon on sisse lülitatud.	Vt jaotist „Extra Freeze-funktsioon“.
	Extra Cool-funktsioon on sisse lülitatud.	Vt jaotist „Extra Cool-funktsioon“.
Kompressor ei hakka kohe tööle pärast „Extra Freeze“ või „Extra Cool“ vajutamist või pärast temperatuuri muutmist.	Kompressor käivitub teatud aja pärast.	See pole tõrge ja on normaalne.
Uks on kõver või takistab õhutusava.	Masin pole loodis.	Vt paigaldusjuhiseid.

Probleem	Võimalik põhjus	Lahendus
Uks avaneb raskelt.	Üritasite ust avada liiga kiiresti pärast selle sulgemist.	Pärast ukse sulgemist ja enne selle uuesti avamist oodake mõni sekund.
Lamp ei tööta.	Lamp on ooterežiimis. Lamp on defektne.	Sulgege või avage uks. Võtke ühendust lähima volitatud teeninduskeskusega.
Külmikus on liiga palju härmatist ja jääd.	Seadme uks ei ole korralikult kinni. Tihend on deformeerunud või määrdunud.	Vaadake "Ukse sulgemine" jaotist. Vaadake "Ukse sulgemine" jaotist.
	Toiduained ei ole korralikult pakendatud.	Pakendage toiduained korralikult.
	Temperatuur on valesti seatud.	Vaadake "Juhtpaneel" peatükki.
	Seade on täiesti täis ja valitud on madalaim temperatuur.	Valige kõrgem temperatuur. Vaadake "Juhtpaneel" peatükki.
	Seatud temperatuur on liiga madal ja ümbritsev temperatuur on liiga kõrge.	Valige kõrgem temperatuur. Vaadake "Juhtpaneel" peatükki.
Vesi voolab külmiku tagaplaadil.	Tagaplaadil sulab automaatse sulatusprotsessi käigus jää.	See on normaalne.
Külmiku tagaseinal on liiga palju kondensvett.	Ust on avatud liiga tihti.	Avage uks ainult vajadusel.
	Uks polnud täielikult suletud.	Kontrollige, kas uks on korralikult suletud.
	Toit ei ole korralikult sisse pakitud.	Enne toiduainete külmikusse asetamist pange need sobivasse pakendisse.
Külmiku sees voolab vesi.	Toiduained takistavad vee valgumist veekogumisnõusse.	Veenduge, et toiduained ei puuduta tagaplaati.
	Vee väljund on ummistunud.	Puhastage vee väljundava.
Vesi voolab põrandale.	Sulamisvee väljalase ei ole ühendatud kompressori kohal asuva aurustusalusega.	Ühendage sulamisvee väljalase aurustusalusega.

Probleem	Võimalik põhjus	Lahendus
Temperatuuri ei saa seada.	Sisse on lülitatud Extra Freeze funktsioon või Extra Cool funktsioon.	Lülitage Extra Freeze funktsioon või Extra Cool funktsioon käsitsi välja või oodake, kuni funktsioon automaatselt valitud temperatuurile lähtestub. Vt jaotist „Extra Freeze-funktsioon“ või „Extra Cool-funktsioon“.
Temperatuur on seadmes liiga madal/kõrge.	Temperatuur on seatud valesti.	Seadke kõrgem/madalam temperatuur.
	Seadme uks ei ole korralikult kinni.	Vaadake "Ukse sulgemine" jaotist.
	Toiduainete temperatuur on liiga kõrge.	Enne toiduainete asetamist külmikusse laske toiduainetel toatemperatuurini jahtuda.
	Hoiustasite korraga liiga palju toiduaineid.	Pange külmikusse samaaegselt vähem toiduaineid.
	Ust on avatud liiga tihti.	Avage uks ainult vajadusel.
	Extra Freeze-funktsioon on sisse lülitatud.	Vt jaotist „Extra Freeze-funktsioon“.
	Extra Cool-funktsioon on sisse lülitatud.	Vt jaotist „Extra Cool-funktsioon“.
	Seadmes puudub külma õhu ringlus.	Veenduge, et seadmes on külma õhu ringlus. Vaadake "Vihjed ja näpunäited" peatükki.
Ekraanile ilmub  .	Seade on demorežiimis.	Demorežiimist väljumiseks vajutage ja hoidke nuppe Extra Cool and ECO umbes 10 sekundit all, kuni kuulete 3 lühikest helisignaali.
Ekraanile ilmub sümbol  ja alarmi indikaator põleb.	Suhtlemisprobleem.	Pöörduge lähimasse volitatud hoolduskeskusse. Jahutussüsteem jätkab toiduainete hoidmist külmas, kuid temperatuuri reguleerimine ei ole võimalik.

Probleem	Võimalik põhjus	Lahendus
Sümbol Er E1 või Er E3 või Er E5 ja praegune seadistus kuvatakse vaheldumisi iga 5 sekundi järel ja alarmi indikaator põleb.	Temperatuurianduri probleem.	Pöörduge lähimasse volitatud hoolduskeskusse. Jahutussüsteem jätkab toiduainete hoidmist külmas, kuid temperatuuri reguleerimine ei ole võimalik.

i Kui nõuanne ei anna soovitud tulemust, helistage lähimasse volitatud teeninduskeskusesse.

8.2 Lambi vahetamine

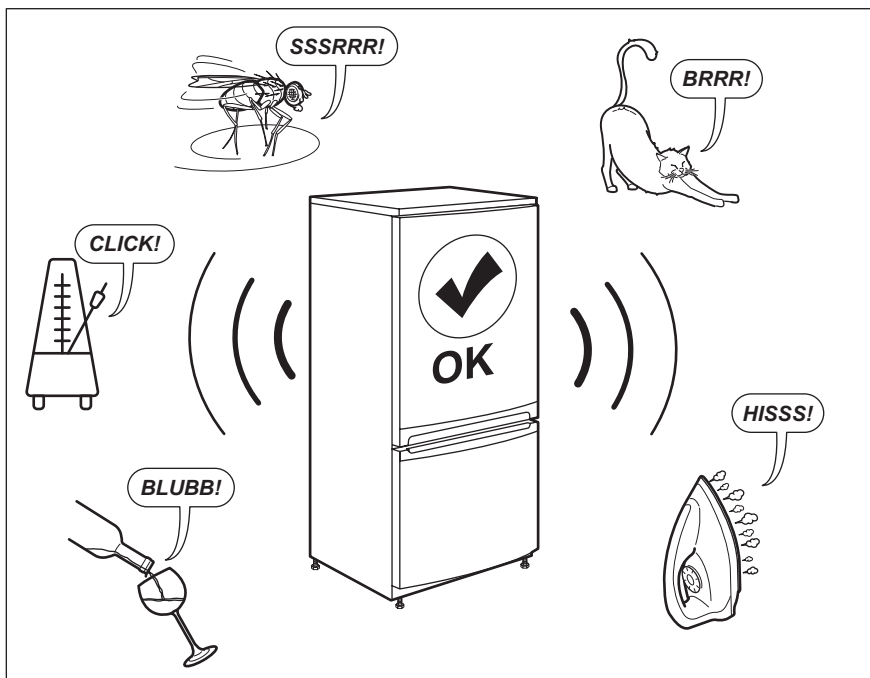
Seade on varustatud pikaajalise sisemise LED-valgustiga.

Teenindus on lubatud ainult valgusti vahetamiseks. Võtke ühendust volitatud teeninduskeskusega.

8.3 Ukse sulgemine

1. Puhastage uksetihendid.
2. Vajadusel reguleerige ust. Vt paigaldusjuhiseid.
3. Vajadusel asendage defektset uksetihendit. Pöörduge volitatud hoolduskeskusse.

9. HELID



10. TEHNILISED ANDMED

Tehnilised andmed asuvad seadme siseküljel oleval andmesildil ning energiamärgisel.

Seadme energiamärgisel olevalt QR-koodilt leiate veebilingi teabele, mis on seotud selle seadme jõudlusele vastavalt EL EPREL-i andmebaasis kirjeldatule. Hoidke energiamärgis alles koos kasutusjuhendiga ja kõigi muude dokumentidega, mis seadmega kaasnesid.

Sama teavet EPREL-is on võimalik leida ka lingilt <https://eprel.ec.europa.eu>, kasutades mudeli nime ja tootenumbrit, mis on toodud andmesildil.


Täpsemat teavet energiamärgisel toodud andmete kohta leiate aadressilt www.theenergylabel.eu.


11. TEAVE KATSEASUTUSTELE

Selle seadme paigaldamine ja ettevalmistamine ökodisaini kinnituse saamiseks peab vastama normile EN 62552 (EU). Ventilatsiooninõuded, paigaldusniši mõõtmed ja minimaalne

kaugus tagaseinast on toodud käesoleva kasutusjuhendi jaotises „Paigaldamine“. Lisateavet (sh infot täitmise kohta) saate tootjalt.

12. JÄÄTMEKÄITLUS

Sümboliga  tähistatud materjalid võib ringlusse suunata. Selleks viige pakendid vastavatesse konteineritesse. Aidake hoida keskkonda ja inimeste tervist ja suunake elektri- ja elektroonilised jäätmed ringlusse. Ärge visake

sümboliga  tähistatud seadmeid muude majapidamisjäätmete hulka. Viige seade kohaliku ringluspunkti või pöörduge abi saamiseks kohalikku omavalitsusse.

www.electrolux.com/shop



222382752-A-012024

