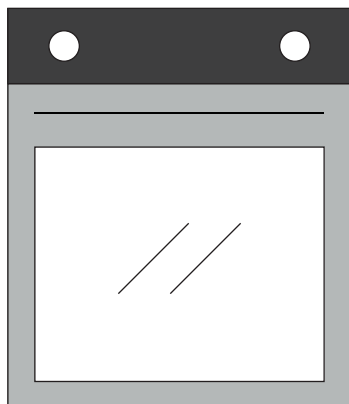


CANDY



User Instructions

OVENS

EN

2

Mode d'emploi

FOURS

FR

15

Summary

- 3** Safety Indications
- 7** General Instructions
- 9** Product description
- 10** Display description
- 12** Cooking Modes
- 13** General notes on cleaning
- 13** Maintenance
- 14** Troubleshooting
- 28** Installation

Safety Indications

- During cooking, moisture may condense inside the oven cavity or on the glass of the door. This is a normal condition. To reduce this effect, wait 10-15 minutes after turning on the power before putting food inside the oven. In any case, the condensation disappears when the oven reaches the cooking temperature.
- Cook the vegetables in a container with a lid instead of an open tray.
- Avoid leaving food inside the oven after cooking for more than 15/20 minutes.
- WARNING: the accessible parts can become hot when the oven is in use. Young children should be kept at a safe distance.
- WARNING: the accessible parts can become hot when the grill is in use. Children should be kept at a safe distance.
- Disconnect the appliance from the mains electricity supply before carrying out any work or maintenance.
- WARNING: in order to avoid any danger caused by the accidental resetting of the thermal interruption device, the appliance should not be powered by an external switching device, such as a timer, or be connected to a circuit that is regularly switched on and off.
- Children under 8 should be kept at a safe distance from the appliance if not continuously supervised.
- Children should not play with the appliance.
- The appliance can be used by those aged 8 or over and by those with limited physical, sensorial or mental capacities, without experience or knowledge of the product, only if supervised or provided with instruction as to the operation of the appliance, in a safe way with awareness of the possible risks.
- Cleaning and maintenance should not be carried out by unsupervised children.
- Do not use rough or abrasive materials or sharp metal scrapers to clean the oven door glasses, as they can scratch the surface

and cause the glass to shatter.

- The oven must be switched off before removing the removable parts. After cleaning, reassemble them according the instructions.
- Only use the meat probe recommended for this oven.
- Do not use a steam cleaner or high pressure spray for cleaning operations.
- IF THE OVEN IS PROVIDED BY THE MANUFACTURER WITHOUT PLUG:

THE APPLIANCE MUST NOT BE CONNECTED TO THE POWER SOURCE USING PLUG OR SOCKETS, BUT MUST BE DIRECTLY CONNECTED TO THE SUPPLY MAINS. The connection to the power source must be carried out by a suitably qualified professional. In order to have an installation compliant to the current safety legislation the oven must be connected only placing an omnipolar breaker, with contact separation compliant to the requirements for overvoltage category III, between the appliance and the power source. The omnipolar breaker must bear the maximum connected load and must be in line with current legislation. The yellow-green earth cable should not be interrupted by the breaker. The omnipolar breaker used for the connection must be easily accessible when the appliance is installed.

The connection to the power source must be carried out by a suitably qualified professional considering the polarity of the oven and of the power source.

The disconnection must be achieved incorporating a switch in the fixed wiring in accordance with the wiring rules

- IF THE OVEN IS PROVIDED BY THE MANUFACTURER WITH PLUG:

The socket must be suitable for the load indicated on the tag and must have ground contact connected and in operation. The earth conductor is yellow-green in colour. This operation should be carried out by a suitably qualified professional. In case

of incompatibility between the socket and the appliance plug, ask a qualified electrician to substitute the socket with another suitable type. The plug and the socket must be conformed to the current norms of the installation country. Connection to the power source can also be made by placing an omnipolar breaker, with contact separation compliant to the requirements for overvoltage category III, between the appliance and the power source that can bear the maximum connected load and that is in line with current legislation. The yellow-green earth cable should not be interrupted by the breaker. The socket or omnipolar breaker used for the connection should be easily accessible when the appliance is installed.

The disconnection may be achieved by having the plug accessible or by incorporating a switch in the fixed wiring in accordance with the wiring rules.

- If the power cable is damaged, it should be substituted with a cable or special bundle available from the manufacturer or by contacting the customer service department. The type of power cable must be H05V2V2-F. This operation should be carried out by a suitably qualified professional. The earth conductor (yellow-green) must be approximately 10 mm longer than the other conductors. For any repairs, refer only to the Customer Care Department and request the use of original spare parts.
- Failure to comply with the above can compromise the safety of the appliance and invalidate the guarantee.
- Any excess of spilled material should be removed before cleaning.
- A long power supply failure during an occurring cooking phase may cause a malfunction of the monitor. In this case contact customer service.
- The appliance must not be installed behind a decorative door in order to avoid overheating.
- When you place the shelf inside, make sure that the stop is directed upwards and in the back of the cavity. The shelf must be

inserted completely into the cavity.

- When inserting the grid tray pay attention that the anti-slide edge is positioned rearwards and upwards.
- **WARNING:** Do not line the oven walls with aluminium foil or single-use protection available from stores. Aluminium foil or any other protection, in direct contact with the hot enamel, risk melting and deteriorating the enamel of the insides.
- **WARNING:** Never remove the oven door seal.
- **CAUTION:** Do not refill the cavity bottom with water during cooking or when the oven is hot.
- No additional operation/setting is required in order to operate the appliance at the rated frequencies.
- The oven can be located high in a column or under a worktop. Before fixing, you must ensure good ventilation in the oven space to allow proper circulation of the fresh air required for cooling and protecting the internal parts. Make the openings specified on last page according to the type of fitting.
- For a correct use of the oven it is advisable not to put the food in direct contact with the racks and trays, but to use oven papers and / or special containers.

General Instructions

We thank you for choosing one of our products. For the best results with your oven, you should read this manual carefully and retain it for future reference. Before installing the oven, take note of the serial number so that you can give it to customer service staff if any repairs are required. Having removed the oven from its packaging, check that it has not been damaged during transportation. If you have doubts, do not use the oven and refer to a qualified technician for advice. Keep all of the packaging material (plastic bags, polystyrene, nails) out of the reach of children. When the oven is switched on for the first time, strong smelling smoke can develop, which is caused by the glue on the insulation panels surrounding the oven heating for the first time. This is absolutely normal and, if it occurs, you should wait for the smoke to dissipate before putting food in the oven. The manufacturer accepts no responsibility in cases where the instructions contained in this document are not observed.

NOTE: the oven functions, properties and accessories cited in this manual will vary, depending on the model you have purchased.

Safety Indications

Only use the oven for its intended purpose, that is only for the cooking of foods; any other use, for example as a heat source, is considered improper and therefore dangerous. The manufacturer cannot be held responsible for any damage resulting from improper, incorrect or unreasonable usage.

The use of any electrical appliance implies the observance of some fundamental rules:

- do not pull on the power cable to disconnect the plug from the socket;
- do not touch the appliance with wet or damp hands or feet;
- in general the use of adaptors, multiple sockets and extension cables is not recommended;
- in case of malfunction and/or poor operation, switch off the appliance and do not tamper with it.

Electrical Safety

ENSURE THAT AN ELECTRICIAN OR QUALIFIED TECHNICIAN MAKES THE ELECTRICAL CONNECTIONS. The power supply to which the oven is connected must conform with the laws in force in the country of installation. The manufacturer accepts no responsibility for any damage caused by the failure to observe these instructions. The oven must be connected to an electrical supply with an earthed wall outlet or a disconnecter with multiple poles, depending on the laws in force in the country of installation. The electrical supply should be protected with suitable fuses and the cables used must have a transverse section that can ensure correct supply to the oven.

CONNECTION

The oven is supplied with a power cable that should only be connected to an electrical supply with 220-240 Vac power between the phases or between the phase and neutral. Before the oven is connected to the electrical supply, it is important to check:

- power voltage indicated on the gauge;
- the setting of the disconnecter.

The grounding wire connected to the oven's earth terminal must be connected to the earth terminal of the power supply.

WARNING

Before connecting the oven to the power supply, ask a qualified electrician to check the continuity of the power supply's earth terminal. The manufacturer accepts no responsibility for any accidents or other problems caused by failure to connect the oven to the earth terminal or by an earth connection that has defective continuity.

NOTE: as the oven could require maintenance work, it is advisable to keep another wall socket available so that the oven can be connected to this if it is removed from the space in which it is installed. The power cable must only be substituted by technical service staff or by technicians with equivalent qualifications.

A low light around the central main switch could be present when the oven is off. This is a normal behavior. It can be removed just turning the plug upside down or swapping the supply terminals.

Recommendations

After each use of the oven, a minimum of cleaning will help keep the oven perfectly clean.

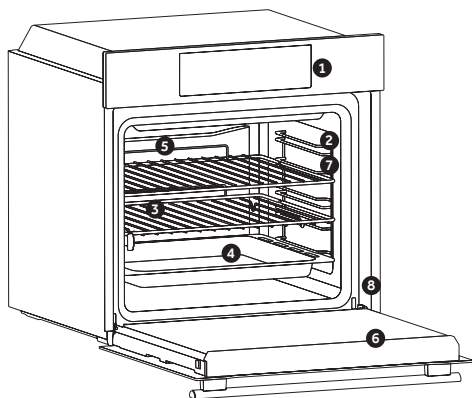
Do not line the oven walls with aluminium foil or single-use protection available from stores. Aluminium foil or any other protection, in direct contact with the hot enamel, risks melting and deteriorating the enamel of the insides. In order to prevent excessive dirtying of your oven and the resulting strong smokey smells, we recommend not using the oven at very high temperature. It is better to extend the cooking time and lower the temperature a little. In addition to the accessories supplied with the oven, we advise you only use dishes and baking moulds resistant to very high temperatures.

Installation

The manufacturers have no obligation to carry this out. If the assistance of the manufacturer is required to rectify faults arising from incorrect installation, this assistance is not covered by the guarantee. The installation instructions for professionally qualified personnel must be followed. Incorrect installation may cause harm or injury to people, animals or belongings. The manufacturer cannot be held responsible for such harm or injury.

The oven can be located high in a column or under a worktop. Before fixing, you must ensure good ventilation in the oven space to allow proper circulation of the fresh air required for cooling and protecting the internal parts. Make the openings specified on last page according to the type of fitting.

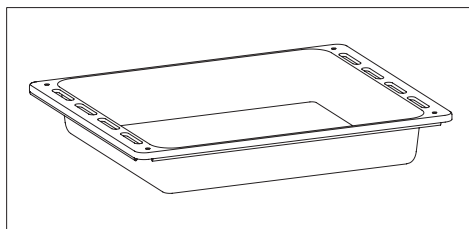
Product description



1. Control panel
2. Shelf positions (lateral wire grid if included)
3. Grids
4. Trays
5. Fan (if present)
6. Oven door
7. Lateral wire grids (if present: only for flat cavity)
8. **Serial number**

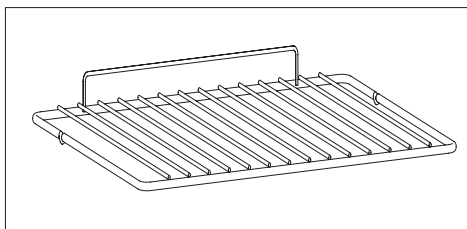
ACCESSORIES

Drip tray



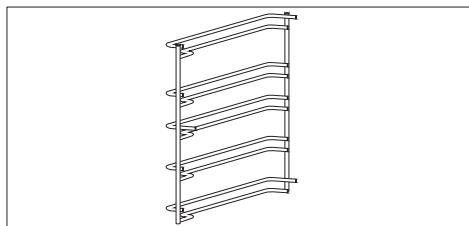
Collects residues that drip when cooking food on the grills.

Metal grid



Holds baking trays and plates.

Lateral wire grids (only if present)

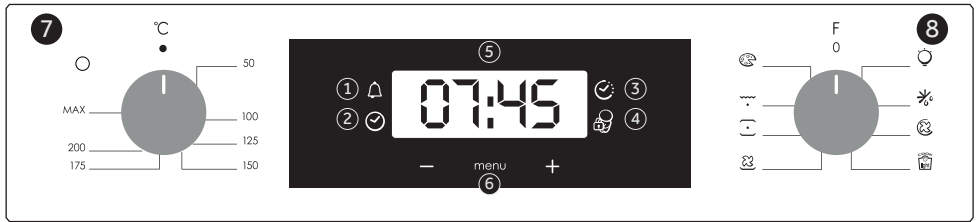


Located on both sides of the oven cavity, holds metal grills and drip pans.

First Use

PRELIMINARY CLEANING; Clean the oven before using for the first time. Wipe over external surfaces with a damp soft cloth. Wash all accessories and wipe inside the oven with a solution of hot water and washing up liquid. Set the empty oven to the maximum temperature and leave on for about 1 hour, this will remove any lingering smells of newness.

Display description






1. Minute minder
2. Clock setting
3. Cooking time
4. Child Lock
5. Temperature or clock display
6. LCD display adjustment controls
7. Thermostat selector knob
8. Function selector knob









WARNING: the first operation to carry out after the oven has been installed or following the interruption of power supply (this is recognizable the display pulsating and showing 12:00) is setting the correct time. This is achieved as follows.

- Push the central button 4 times
- Set time with "-" "+" buttons.
- Release all buttons.

ATTENTION: The oven will only operate providing the clock is set.

FUNCTION	HOW TO ACTIVATE	HOW TO DEACTIVATE	WHAT IT DOES	WHY IT IS NEEDED
KEY LOCK 	Child Lock function is activated by touching Set (+) for a minimum of 5 seconds. From this moment on all other function are locked and the display will flash STOP and preset time intermittently. From this moment on all other functions are locked, LED of child lock turn on, the display will flash STOP and present time intermittently	Child Lock function is deactivated by touching touchpad Set (+) again for a minimum of 5 seconds. From this moment on all functions are selectable again. From this moment LED of child lock turn off and all functions are selectable again.		
MINUTE MINDER 	Push the central button 1 times Press the buttons "-" "+" to set the required time Release all the buttons	When the set time as elapsed an audible alarm is activated (this alarm will stop on its own, however it can be stopped immediately by pressing the button) SELECT.	Sounds an alarm at the end of the set time. During the process, the display shows the remaining time.	Allows to use the oven as alarm clock (could be activated either with operating the oven or with out operating the oven)
COOKING TIME 	Push the central button 2 times Press the buttons "-" "+" to set the length of cooking required Release all buttons Set the cooking function with the oven function selector	Push any button to stop the signal. Push the central button to return to the clock function.	It allows to preset the cooking time required for the recipe chosen. To check how long is left to run press the SELECT button 2 Times. To alter/change the preset time press SELECT and "-" "+" buttons.	When the time is elapsed the oven will switch off automatically. Should you wish to stop cooking earlier either turn the function selector to 0, or set time to 0:00 (SELECT and "-" "+" buttons)

Cooking Modes

Symbol	T °C default	T °C range	Function
			LAMP: Turns on the oven light.
			DEFROST: When the dial is set to this position. The fan circulates air at room temperature around the frozen food so that it defrosts in a few minutes without the protein content of the food being changed or altered.
	180	50 ÷ MAX	MULTI-LEVEL: We recommend you use this method for poultry, pastries, fish and vegetables. Heat penetrates into the food better and both the cooking and preheating times are reduced. You can cook different foods at the same time with or without the same preparation in one or more positions. This cooking method gives even heat distribution and the smells are not mixed. Allow about ten minutes extra when cooking foods at the same time.
	190	50 ÷ MAX	* COOK LIGHT: This function allows to cook in a healthier way, by reducing the amount of fat or oil required. The combination of heating elements with a pulsating cycle of air ensures a perfect baking result.
	210	50 ÷ MAX	BOTTOM HEATING + FAN: The bottom heating element is used with the fan circulating the air inside the oven. This method is ideal for juicy fruit flans, tarts, quiches and pâté. It prevents food from drying and encourages rising in cakes, bread dough and other bottom-cooked food. Place the shelf in the bottom position.
	220	50 ÷ MAX	* CONVENTIONAL: Both top and bottom heating elements are used. Preheat the oven for about ten minutes. This method is ideal for all traditional roasting and baking. For seizing red meats, roast beef, leg of lamb, game, bread, foil wrapped food (papillotes), flaky pastry. Place the food and its dish on a shelf in mid position.
	230	50 ÷ MAX	GRILL : use the grill with the door closed. The top heating element is used alone and you can adjust the temperature. Five minutes preheating is required to get the elements red-hot. Success is guaranteed for grills, kebabs and gratin dishes. White meats should be put at a distance from the grill; the cooking time is longer, but the meat will be tastier. You can put red meats and fish fillets on the shelf with the drip tray underneath.
	220	50 ÷ MAX	PIZZA - With this function hot air circulated in the oven to ensure perfect result for dishes such as pizza or cake.

* Tested in accordance with the EN 60350-1 for the purpose of energy consumption declaration and energy class.

General notes on cleaning

The lifecycle of the appliance can be extended through regular cleaning. Wait for the oven to cool before carrying out manual cleaning operations. Never use abrasive detergents, steel wool or sharp objects for cleaning, so as to not irreparably damage the enamelled parts. Use only water, soap or bleach-based detergents (ammonia).

GLASS PARTS

It is advisable to clean the glass window with absorbent kitchen towel after every use of the oven. To remove more obstinate stains, you can use a detergent-soaked sponge, well wrung out, and then rinse with water.

OVEN WINDOW SEAL

If dirty, the seal can be cleaned with a slightly

damp sponge.

ACCESSORIES

Clean accessories with a wet, soapy sponge before rinsing and drying them: avoid using abrasive detergents.

DRIP PAN

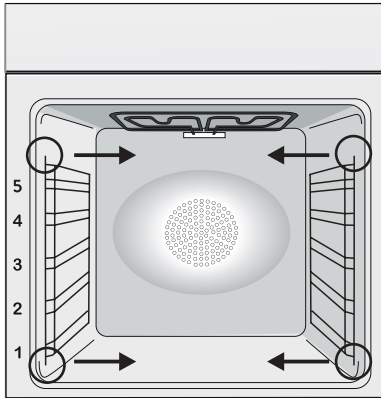
After using the grill, remove the pan from the oven. Pour the hot fat into a container and wash the pan in hot water, using a sponge and washing-up liquid.

If greasy residues remain, immerse the pan in water and detergent. Alternatively, you can wash the pan in the dishwasher or use a commercial oven detergent. Never put a dirty pan back into the oven.

Maintenance

REMOVAL AND CLEANING OF THE SIDE RACKS

1. Remove the wire racks by pulling them in the direction of the arrows (see below)
2. To clean the wire racks either put them in the dishwasher or use a wet sponge, ensuring that they are dried afterwards.
3. After the cleaning process install the wire racks in reverse order."



CHANGING THE BULB

1. Disconnect the oven from the mains supply.
2. Undo the glass cover, unscrew the bulb and replace it with a new bulb of the same type.
3. Once the defective bulb is replaced, replace the glass cover.

This product contains one or more light sources of energy efficiency class G (Lamp) /F (10 Led).

Waste management and environmental protection



This appliance is labelled in accordance with European Directive 2012/19/EU regarding electric and electronic appliances (WEEE). The WEEE contain both polluting substances (that can have a negative effect on the environment) and base elements (that can be reused). It is important that the WEEE undergo specific treatments to correctly remove and dispose of the pollutants and recover all the materials. Individuals can play an important role in ensuring that the WEEE do not become an environmental problem; it is essential to follow a few basic rules:

- the WEEE should not be treated as domestic waste;

- the WEEE should be taken to dedicated collection areas managed by the town council or a registered company.

In many countries, domestic collections may be available for large WEEEs. When you buy a new appliance, the old one can be returned to the vendor who must accept it free of charge as a one-off, as long as the appliance is of an equivalent type and has the same functions as the purchased appliance.

SAVING AND RESPECTING THE ENVIRONMENT

Where possible, avoid pre-heating the oven and always try to fill it. Open the oven door as infrequently as possible, because heat from the cavity disperses every time it is opened. For a significant energy saving, switch off the oven between 5 and 10 minutes before the planned end of the cooking time, and use the residual heat that the oven continues to generate. Keep the seals clean and in order, to avoid any heat dispersal outside of the cavity. If you have an electric contract with an hourly tariff, the "delayed cooking" programme makes energy saving more simple, moving the cooking process to start at the reduced tariff time slot.

Troubleshooting

Problem	Possible cause	Solution
the oven does not heat up	The clock is not set	Set the clock
The oven does not heat up	A cooking function and temperature has not been set	Ensure that the necessary settings are correct
No reaction of the touch user interface	Steam and condensation on the user interface panel	Clean with a microfiber cloth the user interface panel to remove the condensation layer

Sommaire

- 16** Conseils De Sécurité
- 20** Instructions Générales
- 22** Description du produit
- 23** Description de l'affichage
- 25** Mode de cuisson
- 26** Nettoyage du four et maintenance
- 26** Entretien
- 27** Dépannage
- 28** Installation

Conseils De Sécurité

- Pendant la cuisson, de l'humidité peut se condenser à l'intérieur de la cavité ou sur la vitre de la porte. Il s'agit d'un phénomène normal. Pour réduire cet effet, attendez 10-15 minutes après avoir allumé l'appareil avant de mettre les aliments au four. La condensation disparaîtra de toutes façons dès que le four aura atteint la température de cuisson.
- Cuisez les légumes dans un récipient avec couvercle plutôt que dans un ustensile ouvert.
- Évitez de laisser des aliments à l'intérieur du four plus de 15-20 minutes après cuisson.
- AVERTISSEMENT : L'appareil et ses parties accessibles chauffent pendant l'utilisation. Faites attention à ne pas toucher les parties chaudes.
- • AVERTISSEMENT : les parties accessibles peuvent devenir chaudes lorsque le four est utilisé. Les enfants doivent rester à une distance de sécurité.
- Débrancher l'appareil du secteur avant d'effectuer tout travail ou opération d'entretien.
- AVERTISSEMENT : Afin d'éviter tout risque lié à la réinitialisation accidentelle de l'interrupteur thermique, l'appareil ne doit pas être alimenté par un dispositif de commutation externe, tel qu'une minuterie, ou relié à un circuit régulièrement allumé et éteint.
- Les enfants de moins de 8 ans doivent rester à une distance de sécurité de l'appareil s'ils ne sont pas surveillés en permanence.
- Les enfants ne doivent pas jouer avec l'appareil. L'appareil peut être utilisé par des enfants de plus de 8 ans et par des personnes dont les capacités physiques, sensorielles ou mentales sont limitées, sans expérience ni connaissance du produit, uniquement s'ils sont surveillés ou s'ils ont été informés de la manière d'utiliser l'appareil, en toute sécurité et qu'ils comprennent les risques possibles.

- Le nettoyage et l'entretien ne doivent pas être effectués par des enfants sans surveillance.
- N'utilisez pas de matériaux rugueux ou abrasifs ou de racloirs métalliques acérés pour nettoyer les vitres des portes des fours, car cela pourrait rayer la surface et provoquer la rupture de la vitre.
- Coupez le four avant de retirer les pièces amovibles.
- Après le nettoyage, remontez-les selon les instructions.
- Utilisez uniquement la sonde à viande recommandée pour ce four.
- Ne pas utiliser de nettoyeur vapeur ou de vaporisateur à haute pression pour les opérations de nettoyage.

• SI LE FOUR EST FOURNI PAR LE FABRICANT SANS BOUCHON:

L'APPAREIL NE DOIT PAS ÊTRE CONNECTÉ À LA SOURCE D'ALIMENTATION À L'AIDE DE FICHES OU DE PRISES, MAIS DOIT ÊTRE DIRECTEMENT CONNECTÉ AU SECTEUR. Le raccordement à la source d'alimentation doit être effectué par un professionnel dûment qualifié. Afin d'avoir une installation conforme à la législation de sécurité en vigueur, le four doit être connecté en ne plaçant qu'un disjoncteur omnipolaire, avec séparation des contacts conforme aux exigences de la catégorie de surtension III, entre l'appareil et la source d'énergie. Le disjoncteur omnipolaire doit supporter la charge maximale connectée et doit être conforme à la législation en vigueur. Le conducteur jaune et vert de mise à la terre ne doit pas être bloqué par le disjoncteur. Le disjoncteur omnipolaire utilisé pour la connexion doit être facilement accessible lorsque l'appareil est installé.

Le raccordement à la source d'alimentation doit être effectué par un professionnel qualifié en tenant compte de la polarité du four et de la source d'alimentation.

La déconnexion doit être réalisée en incorporant un interrupteur dans le câblage fixe conformément aux règles de câblage

- SI LE FOUR EST FOURNI PAR LE FABRICANT AVEC FICHE: La prise doit être adaptée à la charge indiquée sur l'étiquette et doit avoir un contact de terre connecté et en fonctionnement. Le conducteur de mise à la terre est jaune et vert. Cette opération doit être effectuée par un professionnel qualifié. En cas d'incompatibilité entre la prise et la fiche de l'appareil, demandez à un électricien qualifié de remplacer la prise par un autre type approprié. La fiche du câble d'alimentation et la prise d'alimentation doivent être conformes aux normes en vigueur dans le pays d'installation. La connexion à la source d'énergie peut également être réalisée en plaçant un disjoncteur omnipolaire, avec séparation des contacts conforme aux exigences de la catégorie de surtension III, entre l'appareil et la source d'énergie pouvant supporter la charge maximale connectée et conforme à la législation en vigueur. Le conducteur jaune et vert de mise à la terre ne doit pas être bloqué par le disjoncteur. La prise d'alimentation ou le disjoncteur multipolaire utilisé pour le branchement doit rester à tout moment accessible après installation de l'appareil. Le débranchement doit se faire en accédant à la prise d'alimentation ou en prévoyant un interrupteur sur le circuit électrique fixe, conforme aux normes électriques.
- Si le câble d'alimentation est endommagé, il doit être remplacé par un câble ou un faisceau de câbles spécial disponible auprès du fabricant ou du service après-vente.
- Le câble d'alimentation requis est le H05V2V2-F.
- Cette opération doit être exécutée par le personnel qualifié. Le conducteur de mise à la terre (jaune et vert) doit être environ 10 mm plus long que les autres conducteurs. Pour toutes réparations, contactez le service après-vente en insistant sur l'utilisation de pièces de rechange d'origine.
- Le non-respect des consignes ci-dessus peut compromettre la sécurité de l'appareil et annuler la garantie.
- Éliminez les éclaboussures importantes avant de procéder au nettoyage.

- Une coupure de courant prolongée durant une phase de cuisson peut engendrer un dysfonctionnement de l'écran. Dans ce cas, veuillez contacter le service après-vente.
- L'appareil ne doit pas être installé derrière une porte décorative, pour éviter la surchauffe.
- Lors de l'insertion de la grille, faites attention à ce que le bord antidérapant soit positionné vers l'arrière et vers le haut.
- Pour introduire la grille dans le four, vérifiez que le butoir est dirigé vers le haut et au fond de la cavité. La grille doit être complètement insérée dans la cavité.
- AVERTISSEMENT : Ne recouvrez pas les parois du four avec du papier aluminium ou une protection jetable disponible dans les magasins. Le papier d'aluminium ou toute autre protection, en contact direct avec l'émail chaud, risque de fondre et de détériorer l'émail de la cavité intérieure.
- AVERTISSEMENT : N'enlevez jamais le joint de la porte du four.
- PRUDENCE : Ne remplissez pas le fond de la cavité avec de l'eau pendant la cuisson ou lorsque le four est chaud.
- Aucune autre opération ni aucun autre réglage ne sont requis pour faire fonctionner l'appareil aux fréquences nominales.
- Le four peut être placé en hauteur dans une colonne ou sous un plan de travail. Avant de le fixer, vous devez garantir une bonne ventilation dans l'espace du four pour permettre une circulation correcte de l'air frais requis pour refroidir et protéger les parties situées à l'intérieur. Réalisez les ouvertures spécifiées à la dernière page en fonction du type de fixation.
- Pour une utilisation correcte du four, il est recommandé de ne pas mettre les aliments en contact direct avec les grilles et les plateaux, mais d'utiliser des papiers de cuisson et/ou des récipients spéciaux.

Instructions Générales

Nous vous remercions d'avoir choisi un de nos produits. Pour obtenir les meilleurs résultats avec votre four, vous devez lire attentivement ce manuel et le conserver pour toute consultation ultérieure. Avant d'installer le four, notez le numéro de série, il vous sera demandé par le support technique si des réparations sont nécessaires. Après avoir enlevé le four de son emballage, vérifiez qu'il n'a pas été endommagé pendant le transport. Si vous avez des doutes, ne pas utiliser le four et se référer à un technicien qualifié pour obtenir des conseils. Conservez tous les matériaux d'emballage (sacs en plastique, polystyrène, clous) hors de la portée des enfants. Lors de la première utilisation du four, il peut se produire un dégagement de fumée âcre provoqué par le premier échauffement de la colle des panneaux d'isolation enveloppant le four. Ce phénomène est normal. Attendez que la fumée cesse avant de cuire des aliments. Le fabricant décline toute responsabilité dans les cas où les instructions contenues dans le présent document ne sont pas respectées.

REMARQUE: les fonctions du four, les propriétés et les accessoires cités dans ce manuel peuvent varier selon les modèles.

Indications de sécurité

Utilisez uniquement le four à sa destination, qui est seulement pour la cuisson des aliments; toute autre utilisation, par exemple comme une source de chaleur, est considérée comme inappropriée et donc dangereuse. Le fabricant ne peut être tenu responsable de tout dommage lié à une mauvaise utilisation ou à des modifications techniques du produit.

L'utilisation de tout appareil électrique implique le respect de certaines règles fondamentales:

- Ne tirez pas sur le câble d'alimentation pour déconnecter le produit de la source d'alimentation
- Ne pas toucher l'appareil avec les mains ou les pieds mouillés ou humides;
- En général l'utilisation d'adaptateurs, de prises multiples et de rallonges est déconseillée;
- En cas de dysfonctionnement et / ou de mauvais fonctionnement, éteindre l'appareil et ne pas y toucher.

Sécurité électrique

LE BRANCHEMENT ELECTRIQUE DOIT ÊTRE REALISE PAR UN INSTALLATEUR AGREE OU UN TECHNICIEN DE QUALIFICATION SIMILAIRE.

L'alimentation électrique à laquelle le four est connecté doit être conforme aux lois en vigueur dans le pays d'installation. Le fabricant décline toute responsabilité pour tout dommage causé par le non respect de ces instructions. Le four doit être raccordé à l'alimentation électrique avec une prise murale reliée à la terre ou par l'intermédiaire d'un dispositif à coupure omnipolaire, selon les lois en vigueur dans le pays d'installation. L'alimentation électrique doit être protégée par des fusibles appropriés et les câbles utilisés doivent avoir une section transversale qui peut assurer une alimentation normale du four.

CONNEXION

Le four est livré avec un câble d'alimentation permettant le raccordement sous une tension électrique de 220-240 V entre les phases ou entre phase et neutre. Le raccordement devra être effectué après avoir vérifié:

- La tension d'alimentation indiquée sur le compteur;
- Le réglage du disjoncteur.

Le fil de protection du cordon (vert/jaune) relié à la Borne Terre de l'appareil doit être relié à la Borne Terre de l'installation.

ATTENTION

Faire vérifier la continuité de la terre de l'installation avant de procéder au raccordement. Le fabricant décline toute responsabilité en cas d'accidents ou d'autres problèmes qui pourraient survenir à l'usage d'un appareil non relié à la terre, ou relié à une terre dont la continuité serait défectueuse.

REMARQUE: Le four peut nécessiter une opération de S.A.V. Aussi, placez la prise de courant de façon à pouvoir brancher le four une fois sorti de sa niche. Câble d'alimentation: si le changement du câble d'alimentation s'avère nécessaire, nous vous demandons de faire réaliser cette opération par le service après-vente ou une personne de qualification similaire.

Recommandations

Après chaque utilisation du four, réaliser un petit entretien qui favorisera le nettoyage parfait du four. Ne pas tapisser les parois du four avec des feuilles en aluminium ou des protections jetables du commerce. La feuille d'aluminium ou toute autre protection, en contact direct avec l'émail chauffé, risque de fondre et de détériorer l'émail du moufle. Avant installation de l'appareil, il faut relever le numéro de série et le noter ci-dessous en cas d'éventuelle demande d'intervention.

Afin d'éviter les salissures excessives de votre four ainsi que les fortes odeurs de fumée pouvant en résulter, nous recommandons de ne pas utiliser le four à trop forte température. Il est préférable de

rallonger le temps de cuisson et de baisser la température. Nous vous conseillons de n'utiliser que des plats, des moules à pâtisserie résistants à de très hautes températures.

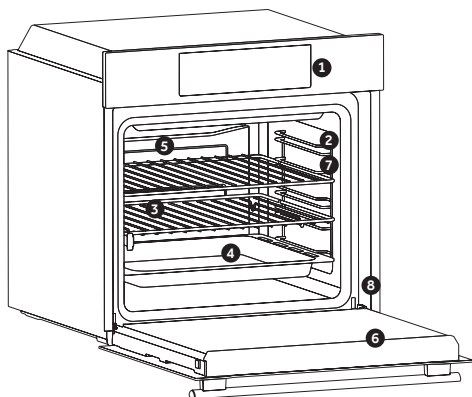
Installation

La mise en service de l'appareil est à la charge de l'acheteur, le constructeur est dégagé de ce service. Les pannes liées à une mauvaise installation ne seront pas couvertes par la garantie. Une mauvaise installation peut provoquer des dommages aux personnes, aux animaux domestiques; dans ce cas la responsabilité du constructeur ne peut être engagée. L'installation du four doit être réalisée par un installateur agréé ou un technicien de qualification similaire.

Le four peut être placé en hauteur dans une colonne ou enchâssé sous un plan de travail. Avant sa fixation: il est indispensable d'assurer une bonne aération dans la niche d'encastrement afin de permettre la bonne circulation de

l'air frais nécessaire au refroidissement et à la protection des organes intérieurs. Pour cela, réaliser les ouvertures spécifiées selon le type d'encastrement (dernière page).

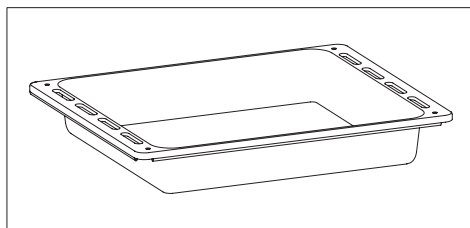
Description du produit



1. Panneau de commande
2. Positions de la grille (grille métallique latérale si celle-ci est incluse)
3. Grilles
4. Plateaux
5. Ventilateur (si présent)
6. Porte du four
7. Grilles latérales (si présent: uniquement pour cavité plate)
8. Numéro de série

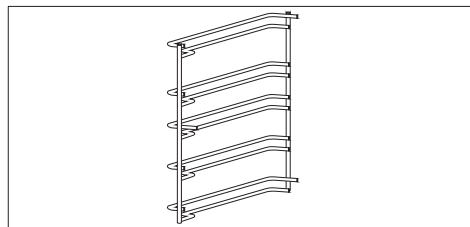
ACCESSOIRES

Bac de récupération de l'eau



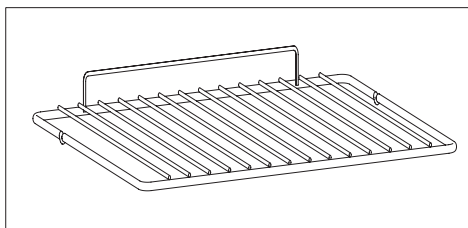
Collecte les résidus qui s'égouttent lors de la cuisson des aliments sur les grilles.

Grilles latérales (si présentes)



Situés des deux côtés de la cavité du four, les grilles métalliques et le lèche-frite.

Grille métallique

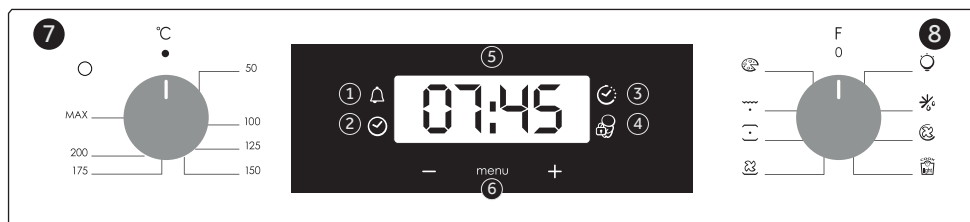


Maintient les plaques de cuisson et les plats.

Première Utilisation

UN PREMIER NETTOYAGE doit être réalisé avant la première utilisation passer un chiffon doux et humide sur les surfaces extérieures de l'appareil. Nettoyer avec une éponge additionnée de produit lessiviel, les accessoires et l'intérieur du four. Rincer et sécher. Faire chauffer le four à vide une bonne heure à la température maximale pour faire disparaître l'odeur du neuf. Pendant cette opération, bien aérer la pièce.

Description de l'affichage






- 1- Minuteur
- 2- Réglage de l'heure
- 3- Durée de cuisson
4. Sécurité enfant
- 5- Display température ou horloge
- 6- Boutons de réglage
- 7- Manette de température
- 8- Manette des fonctions









ATTENTION: la première opération à exécuter après l'installation ou après une coupure de courant (de telles situations se reconnaissent parce que le afficheur est sur 12:00 et clignote) est le réglage de l'heure, comme décrit ci-dessus.

- Appuyer 1 fois sur la touche centrale.
- Régler l'heure à l'aide des boutons "-" "+" .
- Relâcher les touches.

ATTENTION: Le four fonctionne uniquement si l'horloge est réglée.

FONCTIONS	COMMENT L'ACTIVER	COMMENT LE DESACTIVER	A QUOI CA SERT	POURQUOI EST-CE UTILE
MISE À L'HEURE 	<p>Régler la manette du programmateur sur la position Mise à l'heure.</p> <p>Utiliser les touches centrales + et - pour régler l'heure.</p> <p>À partir de ce moment-là, toutes les autres fonctions sont verrouillées, la LED de sécurité enfant s'allume tandis que l'indication STOP et le temps prédéfini clignoteront de manière intermittente</p>	<p>Tourner la manette sur la position off.</p> <p>À partir de ce moment, la LED de sécurité enfant s'éteint et toutes les fonctions sont à nouveau sélectionnables.</p>		
MINUTERIE 	<p>Régler la manette du programmateur sur la position Minuterie.</p> <p>Régler le temps de cuisson en utilisant les touches centrales + et - .</p>	<p>Régler le temps sur 00:00, en plaçant la manette du programmateur sur la position Minuterie, et en utilisant la touche " - " .</p>	<p>Emet un signal sonore à la fin d'un temps programmé.</p> <p>Pendant le fonctionnement, l'écran affiche le temps restant.</p>	<p>Utile comme "aide mémoire", l'alarme sonore fonctionne indépendamment du four, même si celui-ci est éteint.</p>
FIN DE LA CUISSON 	<p>Sélectionner une fonction de cuisson</p> <p>Régler la manette du programmateur sur la position Durée de cuisson.</p> <p>Régler le temps de cuisson en utilisant les touches centrales + et - .</p> <p>Le voyant Auto s'affiche.</p>	<p>Une fois le temps écoulé, le four est automatiquement mis hors fonction. Pour arrêter la cuisson avant, il faut positionner la manette des fonctions sur off, ou régler le temps de cuisson sur 00:00, en plaçant la manette sur la position Durée de cuisson, et en utilisant la touche " - " .</p>	<p>Permet de régler un temps de cuisson.</p> <p>Quand le temps de cuisson est réglé, positionner la manette sur off pour repasser à l'heure du jour.</p> <p>Pour visualiser le temps de cuisson sélectionné, tourner la manette sur la position Durée de cuisson.</p>	<p>Quand le temps de cuisson est écoulé, la cuisson s'arrête automatiquement et l'alarme sonne quelques secondes.</p>

Mode de cuisson

Bouton de sélection	T °C par défaut	T °C inter-valle	Fonction
			L'ampoule: Allumage de l'éclairage du four
			Décongélation: fonctionnement de la turbine de cuisson qui brasse l'air dans l'enceinte du four. Idéale pour réaliser une décongélation avant une cuisson.
	180	50 ÷ MAX	CHALEUR PULSÉE: fonction recommandée pour les volailles, les pâtisseries, les poissons, les légumes... La chaleur pénètre mieux à l'intérieur du mets à cuire et réduit le temps de cuisson, ainsi que le temps de préchauffage. Vous pouvez réaliser des cuissons combinées avec préparations identiques ou non sur un ou deux gradins. Ce mode de cuisson assure en effet une répartition homogène de la chaleur et ne mélange pas les odeurs. Prévoir une dizaine de minutes de plus, pour la cuisson combinée.
	190	50 ÷ MAX	COOK LIGHT: cette fonction permet une cuisson plus saine en réduisant la quantité de graisses ou d'huile nécessaire. La combinaison d'éléments chauffants et d'un cycle à pulsation d'air garantit des résultats de cuisson parfaits.
	210	50 ÷ MAX	RÉSISTANCE INFÉRIEURE + VENTILATEUR: idéale pour les tartes à fruits juteux, les tourtes, les quiches, les pâtés. Elle évite le dessèchement des aliments et favorise la levée pour les cuissons de cakes, pâte à pain et autres cuissons par le dessous. Placer la grille sur le gradin inférieur. Avec ce mode de cuisson, un préchauffage est nécessaire en Chaleur Brassée pendant une dizaine de minutes.
	220	50 ÷ MAX	CONVECTION NATURELLE: utilisation simultanée de la résistance de sole et de voûte. Préchauffer le four une dizaine de minutes. Idéale pour toutes les cuissons à l'ancienne, pour saisir les viandes rouges, les rosbifs, gigots, gibiers, le pain, les papillotes, les feuilletages. Placer le mets à cuire à un niveau de gradin moyen.
	230	50 ÷ MAX	GRILL: l'utilisation du grilloir se fait porte fermée. Un préchauffage de 5 mins est nécessaire pour le roussissement de la résistance. Succès assuré pour les grillades, les brochettes et les gratins. Les viandes blanches doivent être écartées du grilloir ; le temps de cuisson sera alors plus long, mais la viande sera plus savoureuse. Les viandes rouges et filets de poissons peuvent être placés sur la grille avec le plat récolte sauce glissé dessous.
	220	50 ÷ MAX	SOLE - Utilisation de la résistance de sole. Idéale pour la cuisson de tartes, de crème caramel, flans, terrine, toutes préparations qui nécessitent une cuisson par le dessous (cocottes : poulet, boeuf)

* Testé conformément à la norme EN 60350-1 pour les besoins de la déclaration de la consommation d'énergie et de la classe énergétique

Nettoyage du four et maintenance

Le cycle de vie de l'appareil peut être étendu grâce à un nettoyage régulier. Attendez le refroidissement du four avant de procéder à des opérations de nettoyage manuel. Ne jamais utiliser de détergents abrasifs, de laine d'acier ou d'objets pointus pour le nettoyage, l'émail serait irrémédiablement abîmé. Utilisez uniquement de l'eau, du savon ou des détergents à base d'eau de Javel (ammoniac).

PARTIE VITRÉE

Il est conseillé de nettoyer la vitre avec du papier absorbant après chaque utilisation du four. Pour enlever les taches plus tenaces, vous pouvez utiliser une éponge imbibée de détergent, puis rincer à l'eau.

JOINT DE LA PORTE

Si elle est sale, le joint peut être nettoyé avec

une éponge légèrement humide.

ACCESSOIRES

Nettoyer les accessoires avec une éponge et de l'eau savonneuse puis rincer. Éviter d'utiliser des détergents abrasifs.

LECHEFRITE

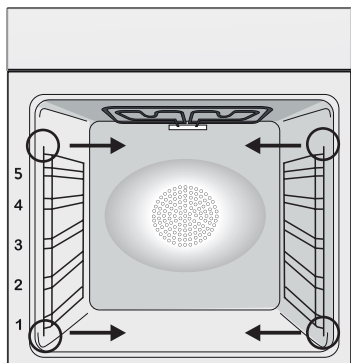
Après l'utilisation de la grille, retirez le lèche-frite du four. Prendre soin de reverser les graisses (tièdes) dans l'évier. Laver et rincer le plat récolte-sauce dans de l'eau chaude, avec une éponge imbibée de produit lessiviel. Si les résidus restent collés, le faire tremper dans de l'eau et un produit détergent. Il peut aussi être nettoyé dans un lave-vaisselle ou avec un produit du commerce.

Ne jamais replacer le plat récolte-sauce encrassé dans un four.

Entretien

RETRAIT ET NETTOYAGE DES GRILLES LATÉRALES

- 1- Retirez les grilles en les tirant dans le sens des flèches (voir ci-dessous).
- 2- Pour nettoyer les grilles, passez-les en lave-vaisselle ou utilisez une éponge humide en veillant à bien les sécher ensuite.
- 3- Quand les grilles sont nettoyées, remettez-les en place en suivant les instructions dans l'ordre inverse."



REPLACEMENT DE L'AMPOULE

1. Débranchez le four de la prise.
2. Défaire le couvercle en verre, dévisser l'ampoule et la remplacer par une ampoule du même modèle.
3. Une fois l'ampoule remplacée, remettre le couvercle en verre.

Ce produit contient une ou plusieurs sources lumineuses de classe d'efficacité énergétique G (Lampe) / F(10 Led).

La gestion des déchets et la protection de l'environnement



Le présent appareil est marqué conformément à la directive 2012/19/UE relative aux déchets d'équipements électriques et électroniques

(DEEE). Les DEEE contiennent à la fois des substances polluantes (qui peuvent avoir des conséquences négatives sur l'environnement) et des éléments de base (réutilisables). Il est important de soumettre les DEEE à des traitements spécifiques, en vue d'extraire et d'éliminer de façon appropriée toutes les substances polluantes, puis de récupérer et recycler tous les matériaux.

Chacun peut jouer un rôle important quant à la protection de l'environnement contre les DEEE. Pour atteindre cet objectif, il est impératif de suivre quelques règles élémentaires :

• Les DEEE ne doivent pas être traités comme des déchets ménagers.

• Ils doivent être remis aux points de collecte appropriés gérés par la municipalité ou par des sociétés immatriculées. Dans plusieurs pays, il est possible de collecter à domicile les DEEE volumineux.

• Lorsque vous achetez un nouvel appareil, vous devez retourner l'ancien au vendeur qui le récupère gratuitement, au cas par cas, à condition que l'équipement soit de type équivalent et possède les mêmes fonctions que celui fourni.

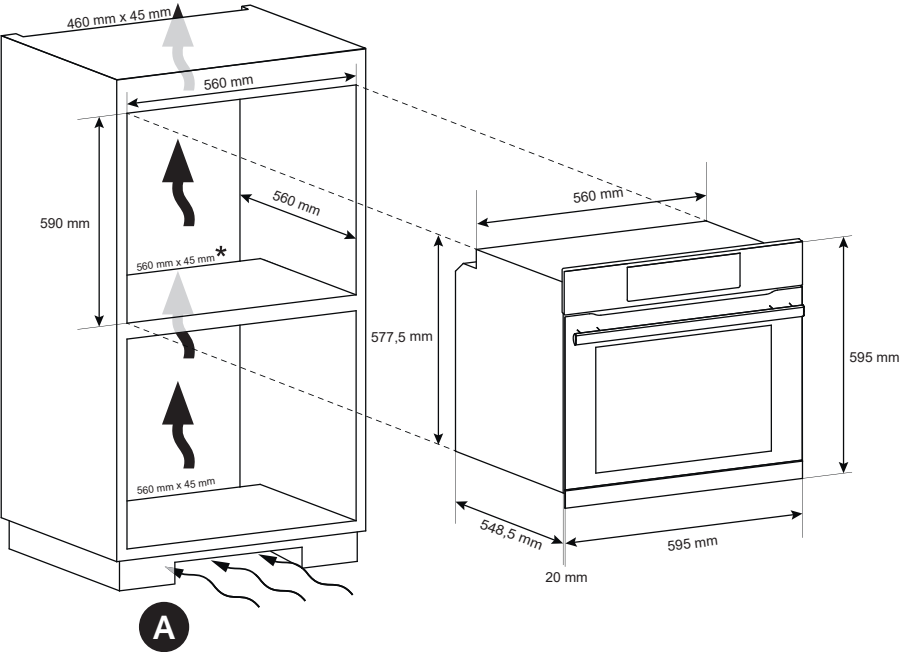
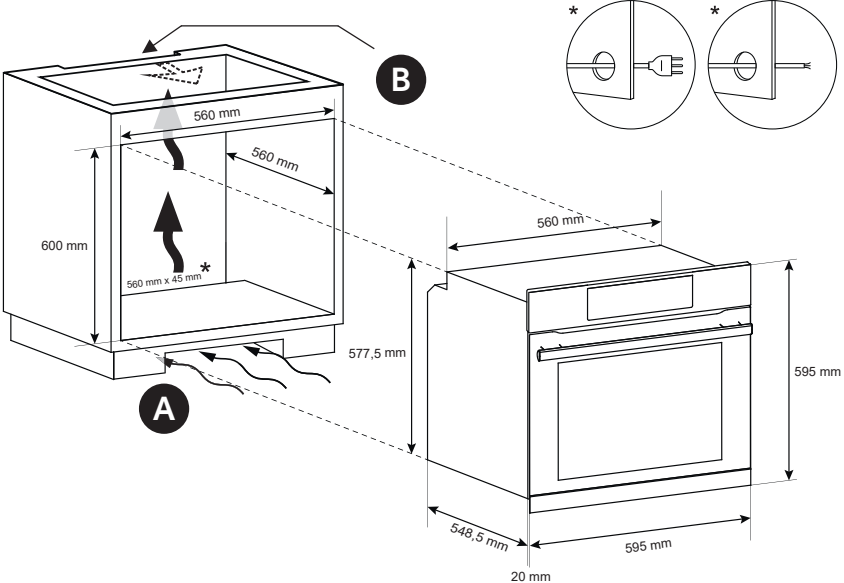
ÉCONOMIE ET RESPECT DE L'ENVIRONNEMENT

Lorsque cela est possible, éviter le préchauffage du four et éviter de le faire tourner à vide. N'ouvrez la porte du four que lorsque cela est nécessaire, car il y a des déperditions de chaleur à chaque fois qu'il est ouvert. Pour une économie d'énergie significative, éteindre le four entre 5 et 10 minutes avant la fin de cuisson prévue, et utiliser la chaleur que le four continue de générer. Gardez les joints propres et en bon état, pour éviter toute déperdition d'énergie. Si vous avez un contrat électrique avec un tarif heure creuse, le programme "cuisson différée" peut vous faire réaliser des économies d'énergie en déplaçant le début du programme à un intervalle de temps à tarif réduit.

Dépannage

Problèmes	Cause possible	Solution
Le four ne chauffe pas	L'horloge n'est pas réglée	Réglez l'horloge
Le four ne chauffe pas	La sécurité enfant est activée	Désactiver la sécurité enfant
Le four ne chauffe pas	Les réglages nécessaires ne sont pas imposés	Assurez-vous que les paramètres nécessaires sont corrects

Installation





EN If the furniture is coverage with a bottom at the back part, provide an opening for the power supply cable.

FR Si le fond du meuble est doté d'un panneau de fermeture, prévoyez un orifice pour le passage du câble d'alimentation..



EN If the oven does not have a cooling fan, create an opening 460 mm x 15 mm

FR Si le four n'a pas de ventilateur de refroidissement, créer une ouverture 460 mm x 15 mm



EN If the mounting of the plinth does not allow air circulation, it is necessary to create an opening of 500x10 mm or the same surface in 5000 mm².

FR Si le montage de la plinthe ne permet pas la circulation de l'air, il est nécessaire de créer une ouverture de 500x10 mm ou de la même surface dans 5000 mm².

EN The manufacturer will not be responsible for any inaccuracy resulting from printing or transcript errors contained in this brochure. We reserve the right to carry out modifications to products as required, including the interests of consumption, without prejudice to the characteristics relating to safety or function.

FR Le constructeur décline toute responsabilité concernant d'éventuelles inexactitudes imputables à des erreurs d'impression ou de transcription contenue dans cette notice. Le constructeur se réserve le droit de modifier les produits en cas de nécessité, même dans l'intérêt de l'utilisation, sans causer de préjudices aux caractéristiques de fonctionnement de sécurité des appareils.



70017128

