

Dishwasher Instruction Manual

PART I : General Instructions

Please read this manual carefully before using the dishwasher and keep this manual for future reference.

CONTENTS

01	3	SAFETY INFORMATION
02	8	PRODUCT OVERVIEW
03	9	USING YOUR DISHWASHER
	9	Loading The Salt Into The Softener
	11	Basket Loading Tips
	13	The Versatile Large Utensil Holder
04	14	MAINTENANCE AND CLEANING
	14	External Care
	14	Internal Care
	17	Caring For The Dishwasher
05	18	INSTALLATION INSTRUCTION
	18	About Power Connection
	19	Water Supply And Drain
	20	Connection Of Drain Hoses
	21	Positioning The Appliance
	21	Built-In Installation(for the integrated model)
06	25	TROUBLESHOOTING TIPS
	28	Availability Of Spare Parts
07	29	LOADING THE BASKETS



NOTE:

- Reviewing the section on Troubleshooting Tips will help you solve some common problems by yourself.
- If you cannot solve the problem by yourself, please ask for help from a professional technician.
- The manufacturer, following a policy of constant development and updating of the product, may make modifications without giving prior notice.

SAFETY INFORMATION

⚠ WARNING

When using your dishwasher, follow the precautions listed below:

- Installation and repair can only be carried out by a qualified technician
- This appliance is intended to be used in household and similar applications such as:
 - staff kitchen areas in shops, offices and other working environments;
 - farm houses;
 - by clients in hotels, motels and other residential type environments;
 - bed and breakfast type environments.
- This appliance can be used by children aged 8 and older, and persons with reduced physical, sensory or mental capabilities or lack of experience and knowledge if they have been given supervision or instruction concerning use of the appliance in a safe way and understand the hazards involved.
- Children shall not play with the appliance. Cleaning and user maintenance shall not be done by children without supervision. (For EN60335-1)
This appliance is not intended for use by persons (including children) with reduced physical, sensory or mental capabilities, or lack of experience and

knowledge, unless they have been given supervision or instruction concerning use of the appliance by a person responsible for their safety.

- Packaging material could be dangerous for children!
- This appliance is for indoor household use only.
To protect against the risk of electrical shock, do not immerse the unit, cord or plug in water or other liquid.
- Please unplug before cleaning and performing maintenance on the appliance.
- If the supply cord is damaged, it must be replaced by the manufacturer or its service agent or a similarly qualified person in order to avoid a hazard.



Earthing Instructions

- This appliance must be earthed. In the event of a malfunction or breakdown, earthing will reduce the risk of an electric shock by providing a path of least resistance of electric current. This appliance is equipped with an earthing conductor plug.
- The plug must be plugged into an appropriate outlet that is installed and earthed in accordance with all local codes and ordinances.
- Improper connection of the equipment-earthing conductor can result in the risk of an electric shock.
- Check with a qualified electrician or service representative if you are in doubt whether the appliance is properly grounded.

- Do not modify the plug provided with the appliance if it does not fit the outlet.
- Have a proper outlet installed by a qualified electrician.
- Do not abuse, sit on, or stand on the door or dish rack of the dishwasher.
- Do not operate your dishwasher unless all enclosure panels are properly in place.
- Open the door very carefully if the dishwasher is operating, there is a risk of water squirting out.
- Do not place any heavy objects on or stand on the door when it is open. The appliance could tip forward.
- When loading items to be washed:
 - 1) Locate sharp items so that they are not likely to damage the door seal;
 - 2) Warning: Knives and other utensils with sharp points must be loaded in the basket with their points facing down or placed in a horizontal position.
- Some dishwasher detergents are strongly alkaline. They can be extremely dangerous if swallowed. Avoid contact with the skin and eyes and keep children away from the dishwasher when the door is open.
- Check that there are no detergent residues after completion of the wash cycle.

- Do not wash plastic items unless they are marked “dishwasher safe” or the equivalent.
- For unmarked plastic items not so marked, check the manufacturer's recommendations.
- Use only detergent and rinse agents recommended for use in an automatic dishwasher.
- Never use soap, laundry detergent, or hand washing detergent in your dishwasher.
- The door should not be left open, since this could increase the risk of tripping.
- During installation, the power supply must not be excessively or dangerously bent or flattened.
- Do not tamper with controls.
- The appliance needs to be connected to the main water valve using new hose sets. Old sets should not be reused.
- To save energy, in stand by mode, the appliance will switch off automatically after 15 minutes without any user interaction.
- The maximum number of place settings to be washed is 16.
- The permissible inlet water pressure is 0.04-1 MPa.

Disposal

- For disposing of package and the appliance please go to a recycling center. Therefore cut off the power supply cable and make the door closing device unusable.

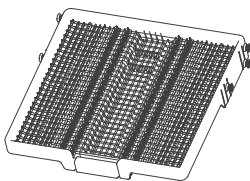
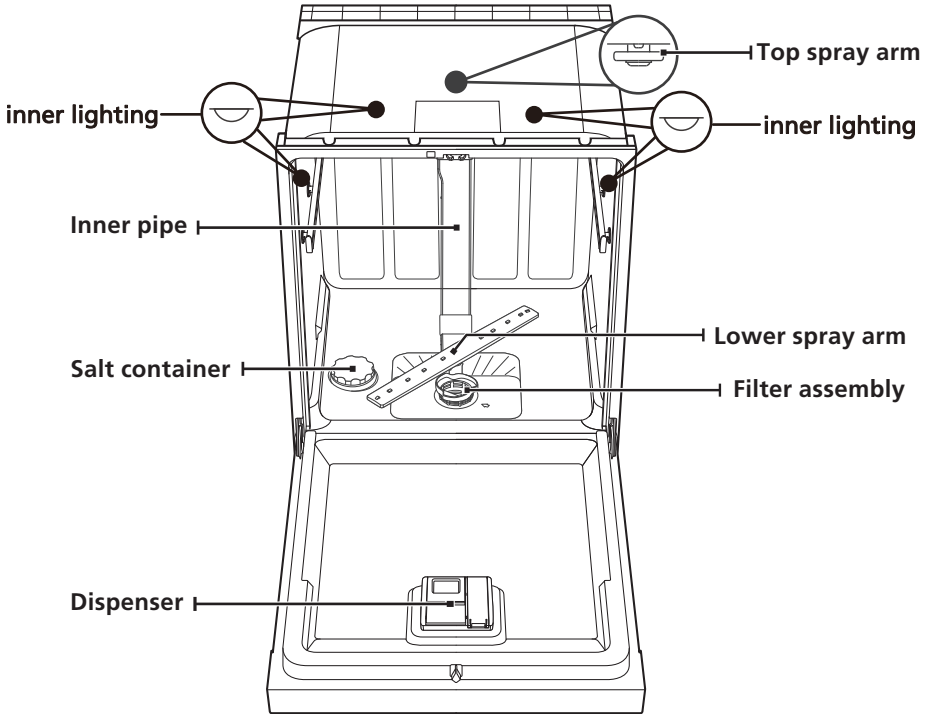


- Cardboard packaging is manufactured from recycled paper and should be disposed in the waste paper collection for recycling.
- By ensuring this product is disposed of correctly, you will help prevent potential negative consequences for the environment and human health, which could otherwise be caused by inappropriate waste handling of this product.
- For more detailed information about recycling of this product, please contact your local city office and your household waste disposal service.
- **DISPOSAL: Do not dispose this product as unsorted municipal waste. Collection of such waste separately for special treatment is necessary.**

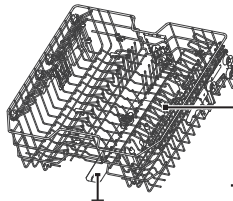
PRODUCT OVERVIEW

❗ IMPORTANT:

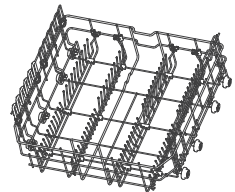
To get the best performance from your dishwasher, read all operating instructions before using it for the first time.



Cutlery rack



Upper spray arm Cup rack
Upper basket



Lower basket

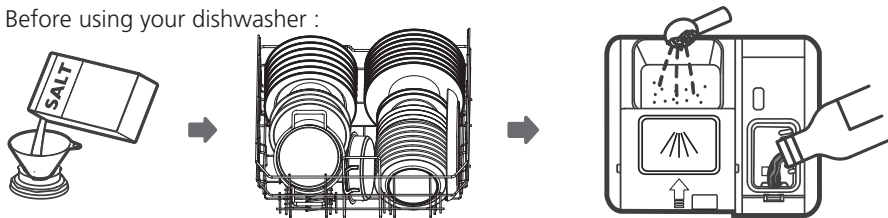


NOTE:

Pictures are only for reference, different models may be different.

USING YOUR DISHWASHER

Before using your dishwasher :



1. Set the water softener
2. Loading the salt into the softener
3. Loading the basket
4. Fill the detergent dispenser



Please check the section 1 "Water Softener" of PART II: Specific Instructions, if you need to set the water softener .

Loading The Salt Into The Softener

NOTE:

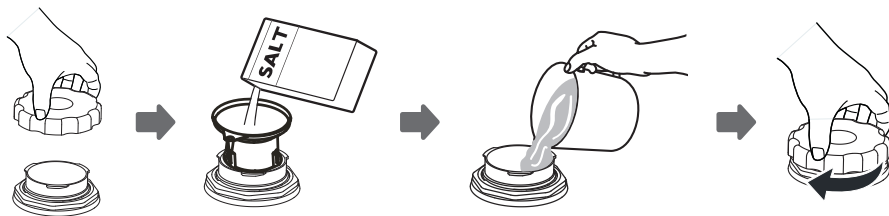
If your model does not have any water softener, you may skip this section. It must use salt intended for dishwasher.

The salt container is located beneath the lower basket and should be filled as explained in the following:

WARNING


- **Only use salt specifically designed for dishwashers use!**
Every other type of salt not specifically designed for dishwasher use, especially table salt, will damage the water softener. In case of damages caused by the use of unsuitable salt the manufacturer does not give any warranty nor is liable for any damages caused.
- **Only fill with salt before running a cycle.**
This will prevent any grains of salt or salty water, which may have been spilled, remaining on the bottom of the machine for any period of time, which may cause corrosion.

Please follow the steps below for adding dishwasher salt:



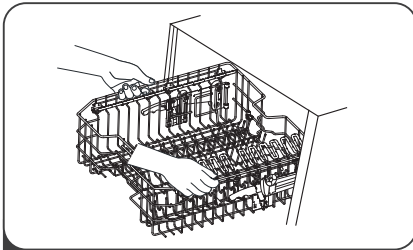
1. Remove the lower basket and unscrew the reservoir cap.
2. Place the end of the funnel (if supplied) into the hole and pour in about **0.6 kg** of dishwasher salt.
3. Fill the salt container to its maximum limit with water, It is normal for a small amount of water to come out of the salt container.
4. After filling the container, screw back the cap tightly.
5. The salt warning light will turn off after the salt container has been filled with salt.
6. Immediately after filling the salt into the salt container, a washing program should be started (We suggest to use a short program). Otherwise the filter system, pump or other important parts of the machine may be damaged by salty water. This is out of warranty.

NOTE:

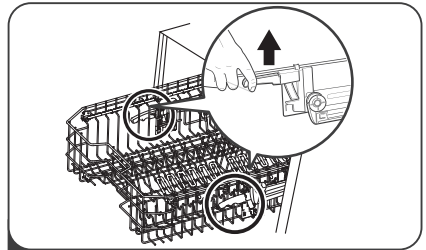
- The salt container must only be refilled when the salt warning light () in the control panel comes on. Depending on how well the salt dissolves, the salt warning light may still be on even though the salt container is filled. If there is no salt warning light in the control panel (for some models), you can estimate when to fill the salt into the softener by the cycles that the dishwasher has run.
- If salt has spilled, run a soak or quick program to remove it.

Basket Loading Tips

Adjusting the upper basket



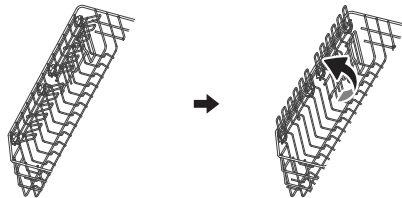
1 To raise the upper basket, just lift the upper basket at the center of each side until the basket locks into place in the upper position. It is not necessary to lift the adjuster handle.



2 To lower the upper basket, lift the adjuster handles on each side to release the basket and lower it to the lower position.

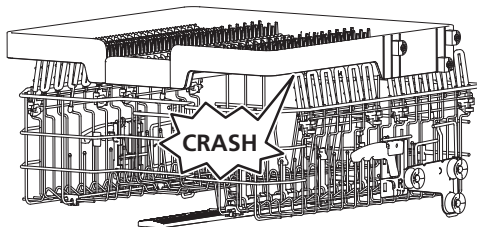
Folding back the cup shelves

To make room for taller items in the upper basket, raise the cup rack upwards. You can then lean the tall glasses against it. You can also remove it when it is not required for use.



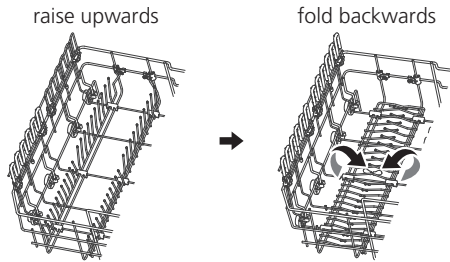
NOTE:

When the upper basket locks in the upper position, it can't fold back the cup shelves.



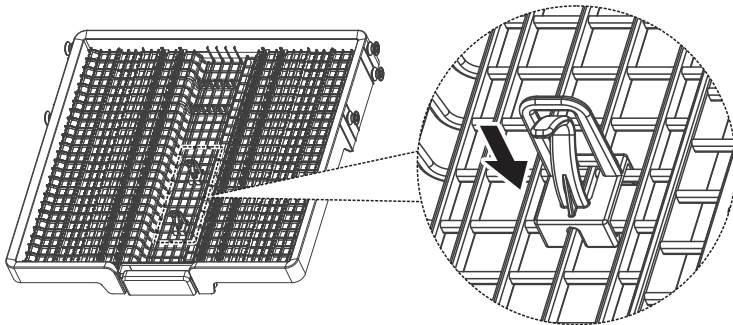
Folding back the rack shelves

The spikes of the lower basket are used for holding plates and a platter. They can be lowered to make more room for large items.

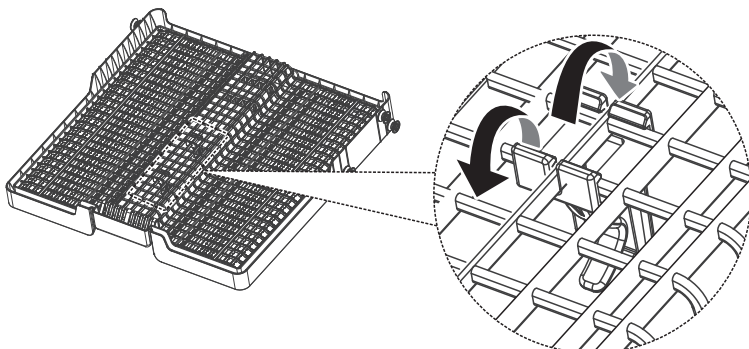


The pacifier bracket

The mounting of the bracket is fixed by clamping it in the corresponding position as shown in the figure. It can be used to fix small things like pacifier.

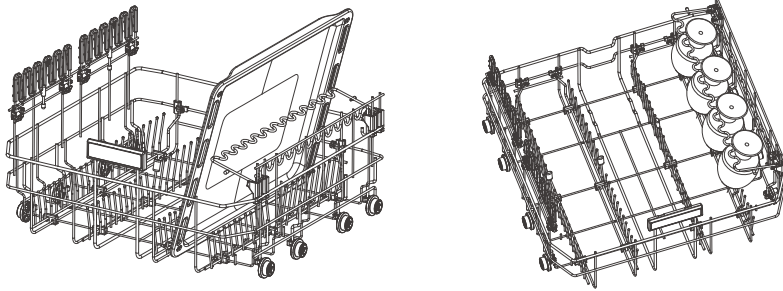


To remove the bracket, start at the bottom and loosen the buckle as shown.

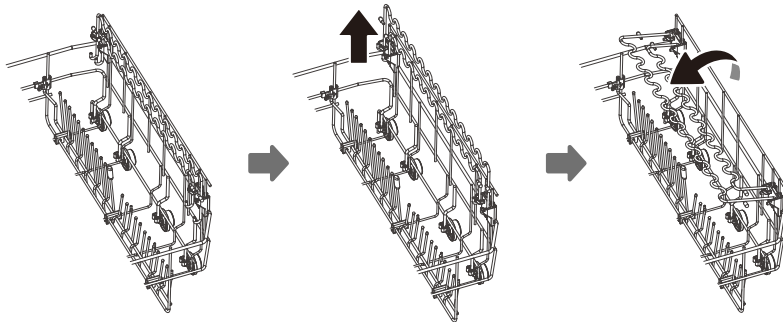


The Versatile Large Utensil Holder

Provide a safe and flexible place exclusively for large cooking utensils, like oven trays and chopping boards. It is also suitable for loading extra-tall wine glasses.



When you want to use it, pull up the rack and then support it out. You can fold back the rack when it is not required for use. It never occupy extra space when being folded.



MAINTENANCE AND CLEANING

External Care

The door and the door seal

Clean the door seals regularly with a soft damp cloth to remove food deposits. When the dishwasher is being loaded, food and drink residues may drip onto the sides of the dishwasher door. These surfaces are outside the wash cabinet and are not accessed by water from the spray arms. Any deposits should be wiped off before the door is closed.

The control panel

If cleaning is required, the control panel should be wiped with a soft damp cloth only.

WARNING

- To avoid penetration of water into the door lock and electrical components, do not use a spray cleaner of any kind.
- Never use abrasive cleaners or scouring pads on the outer surfaces because they may scratch the finish. Some paper towels may also scratch or leave marks on the surface.

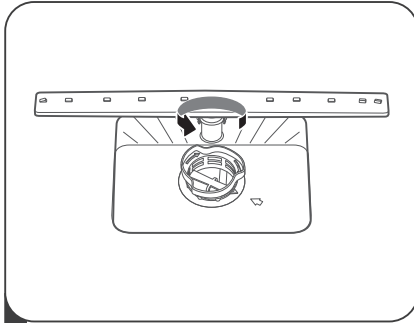
Internal Care

Filtering system

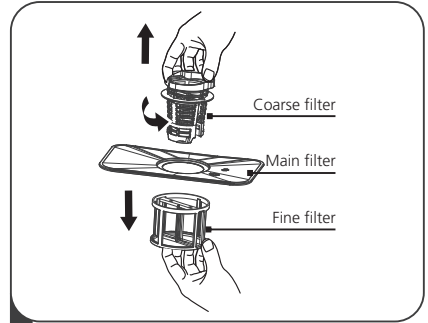
The filtering system in the base of the wash cabinet retains coarse debris from the washing cycle, including foreign objects such as tooth picks or shards. The collected coarse debris may cause the filters to clog. Check the condition of the filters regularly (each month), carefully remove foreign objects and clean the parts of the filtering system if necessary with water. Follow the steps below to clean the filter.

NOTE:

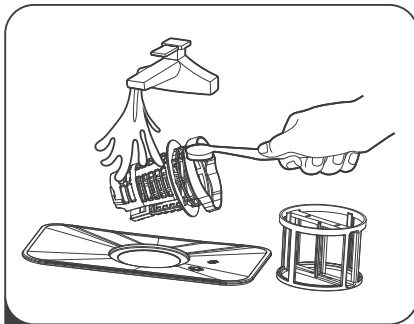
Pictures are only for reference, different models of the filtering system and spray arms may be different.



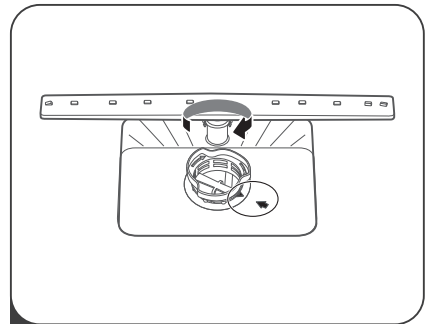
- 1** Hold the coarse filter and rotate it anticlockwise to unlock the filter. Lift the filter upwards and out of the dishwasher.



- 2** The fine filter can be pulled off the bottom of the filter assembly. The coarse filter can be detached from the main filter by gently squeezing the tabs at the top and pulling it away.



- 3** Larger food remnants can be cleaned by rinsing the filter under running water. For a more thorough clean, use a soft cleaning brush.



- 4** Reassemble the filters in the reverse order of the disassembly, replace the filter insert, and rotate clockwise to the close arrow.

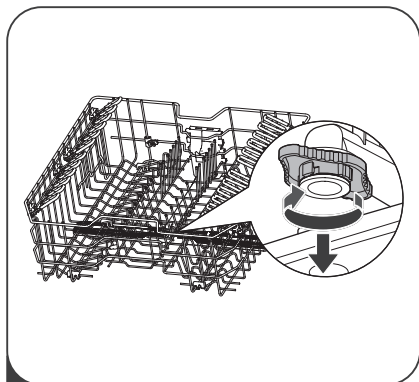
⚠ WARNING

- Do not over tighten the filters. Put the filters back in sequence securely, otherwise coarse debris could get into the system and cause a blockage.
- Never use the dishwasher without filters in place. Improper replacement of the filter may reduce the performance level of the appliance and damage dishes and utensils.

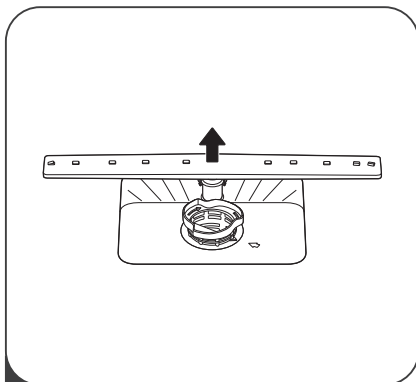
Spray arms

It is necessary to clean the spray arms regularly for hard water chemicals will clog the spray arm jets and bearings.

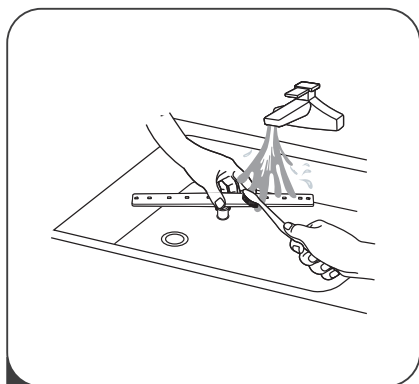
To clean the spray arms, follow the instructions below:



- 1** To remove the upper spray arm, hold the nut in the center still and rotate the spray arm counterclockwise to remove it.



- 2** To remove the lower spray arm, pull out the spray arm upward.



- 3** Wash the arms in soapy and warm water and use a soft brush to clean the jets. Replace them after rinsing them thoroughly.

Caring For The Dishwasher

Frost precaution

Please take frost protection measures on the dishwasher in winter. Every time after washing cycles, please operate as follows:

1. Cut off the electrical power to the dishwasher at the supply source.
2. Turn off the water supply and disconnect the water inlet pipe from the water valve.
3. Drain the water from the inlet pipe and water valve. (Use a pan to gather the water)
4. Reconnect the water inlet pipe to the water valve.
5. Remove the filter at the bottom of the tub and use a sponge to soak up water in the sump.

After every wash

After every wash, turn off the water supply to the appliance and leave the door slightly open for a while so that moisture and odors are not trapped inside.

Remove the plug

Before cleaning or performing maintenance, always remove the plug from the socket.

No solvents or abrasive cleaning

To clean the exterior and rubber parts of the dishwasher, do not use solvents or abrasive cleaning products. Only use a cloth with warm soapy water.

To remove spots or stains from the surface of the interior, use a cloth dampened with water and a little vinegar, or a cleaning product made specifically for dishwashers.

When not in use for a long time

It is recommended that you run a wash cycle with the dishwasher empty and then remove the plug from the socket, turn off the water supply and leave the door of the appliance slightly open. This will help the door seals to last longer and prevent odors from forming within the appliance.

Moving the appliance

If the appliance must be moved, try to keep it in the vertical position. If absolutely necessary, it can be positioned on its back.

Seals

One of the factors that cause odours to form in the dishwasher is food that remains trapped in the seals. Periodic cleaning with a damp sponge will prevent this from occurring.

INSTALLATION INSTRUCTION

⚠ WARNING



Electrical Shock Hazard

Disconnect electrical power before installing dishwasher.

Failure to do so could result in death or electrical shock.

⚠ Attention

The installation of the pipes and electrical equipments should be done by professionals.

About Power Connection

⚠ WARNING

For personal safety:

- Do not use an extension cord or an adapter plug with this appliance.
- Do not, under any circumstances, cut or remove the earthing connection from the power cord.

Electrical requirements

Please look at the rating label to know the rating voltage and connect the dishwasher to the appropriate power supply. Use the required fuse 10A/13A/16A, time delay fuse or circuit breaker recommended and provide separate circuit serving only this appliance.

Electrical connection

Ensure the voltage and frequency of the power being corresponds to those on the rating plate. Only insert the plug into an electrical socket which is earthed properly. If the electrical socket to which the appliance must be connected is not appropriate for the plug, replace the socket, rather than using a adaptors or the like as they could cause overheating and burns.

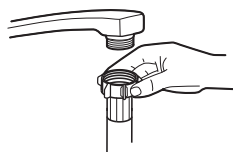
⚠ Ensure that proper earthing exists before use

Water Supply And Drain

Cold water connection

Connect the cold water supply hose to a threaded 3/4(inch) connector and make sure that it is fastened tightly in place.

If the water pipes are new or have not been used for an extended period of time, let the water run to make sure that the water is clear. This precaution is needed to avoid the risk of the water inlet to be blocked and damage the appliance.



ordinary supply hose



safety supply hose

About the safety supply hose

The safety supply hose consists of the double walls. The system guarantees its intervention by blocking the flow of water in case of the supply hose breaking and when the air space between the supply hose itself and the outer corrugated hose is full of water.

⚠ WARNING

A hose that attaches to a tap can burst if it is installed on the same water line as the dishwasher. If your sink has one, it is recommended that the hose be disconnected and the hole plugged.

How to connect the safety supply hose

1. Pull the safety supply hoses out from storage compartment located at rear of dishwasher.
2. Tighten the screws of the safety supply hose to the faucet with thread 3/4inch.
3. Turn the water fully on before starting the dishwasher.

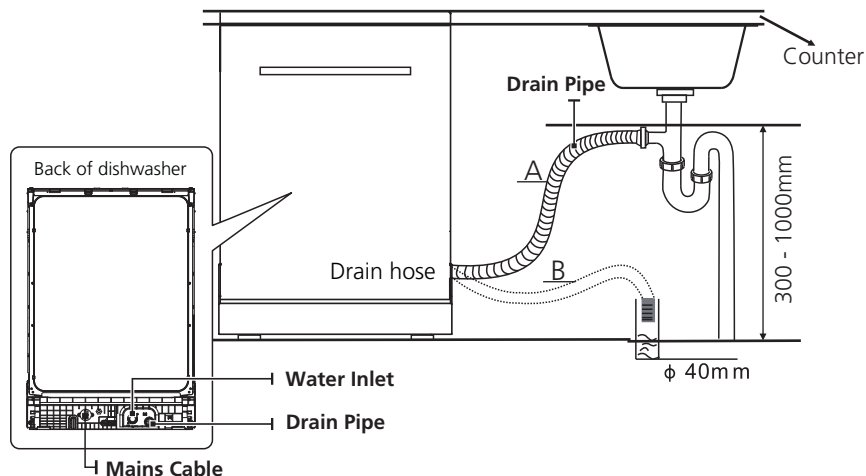
How to disconnect the safety supply hose

1. Turn off the water.
2. Unscrew the safety supply hose from the faucet.

Connection Of Drain Hoses

Insert the drain hose into a drain pipe with a minimum diameter of 4 cm, or let it run into the sink, making sure to avoid bending or crimping it. The height of drain pipe must be less than 1000 mm. The free end of the hose must not be immersed in water to avoid the back flow of it.

⚠ Please securely fix the drain hose in either position A or position B



How to drain excess water from hoses

If the connection to the drain pipe is positioned higher than 1000 mm, excess water may remain in the drain hose. It will be necessary to drain excess water from the hose into a bowl or suitable container that is held outside and lower than the sink.

Water outlet

Connect the water drain hose. The drain hose must be correctly fitted to avoid water leaks. Ensure that the water drain hose is not kinked or squashed.

Extension hose

If you need a drain hose extension, make sure to use a similar drain hose. It must not be longer than 4 meters, otherwise the cleaning effect of the dishwasher could be reduced.

Syphon connection

The waste connection must be at a height less than 1000 mm (maximum) from the bottom of the dishwasher.

Positioning The Appliance

Position the appliance in the desired location. The back should rest against the wall behind it, and the sides, along the adjacent cabinets or walls. The dishwasher is equipped with water supply and drain hoses that can be positioned either to the right or the left sides to facilitate proper installation.

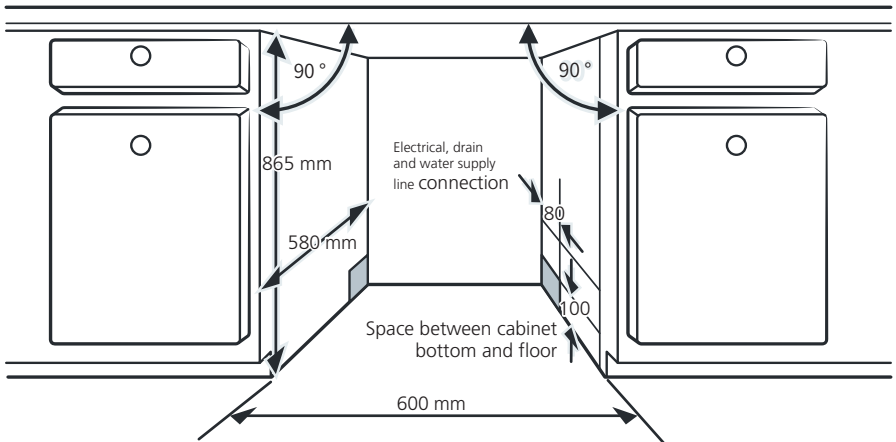
Built-In Installation (for the integrated model)

Step 1. Selecting the best location for the dishwasher

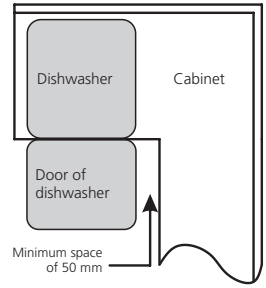
The installation position of the dishwasher should be near the existing inlet and drain hose and power socket.

Illustrations of cabinet dimensions and installation position of the dishwasher.

1. Less than 5 mm between the top of dishwasher and cabinet and the outer door aligned to cabinet.



2. If dishwasher is installed at the corner of the cabinet, there should be some space when the door is opened.



NOTE:

Depending on where your electrical outlet is, you may need to cut a hole in the opposite cabinet side.

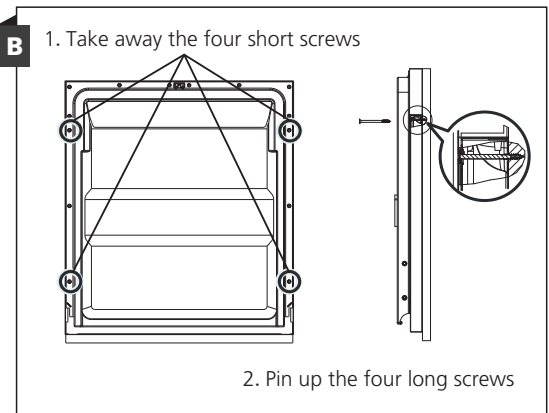
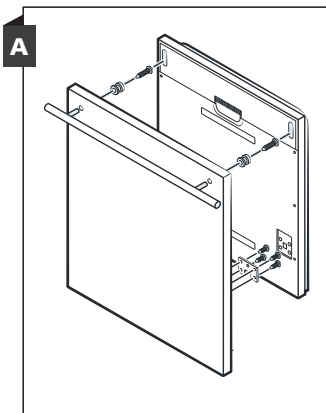
Step 2. Aesthetic panel's dimensions and installation



Follow the specific installation instruction for attaching the aesthetical door panel.

Fully-integrated model

Install the hook on the aesthetic panel (about 5-9kg) and put the hook into the slot of the outer door of dishwasher (see figure A). After positioning of the panel, fix the panel onto the outer door by screws and bolts (See figure B).

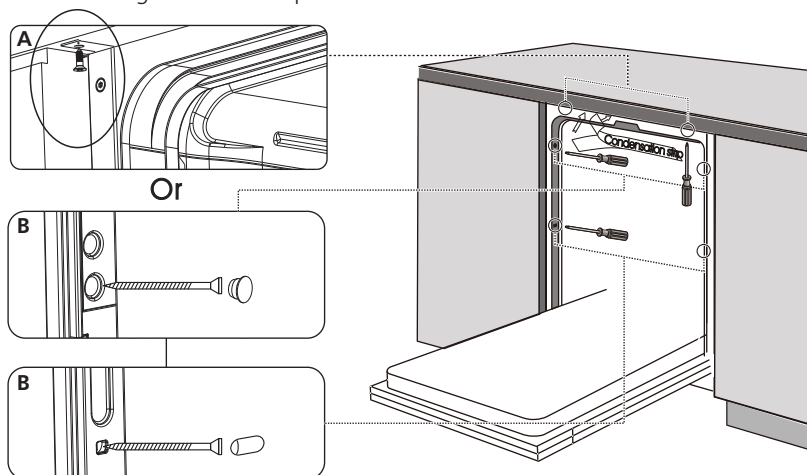


Step 3. Dishwasher installation steps



Please refer to the specific installation steps in the installation drawings.

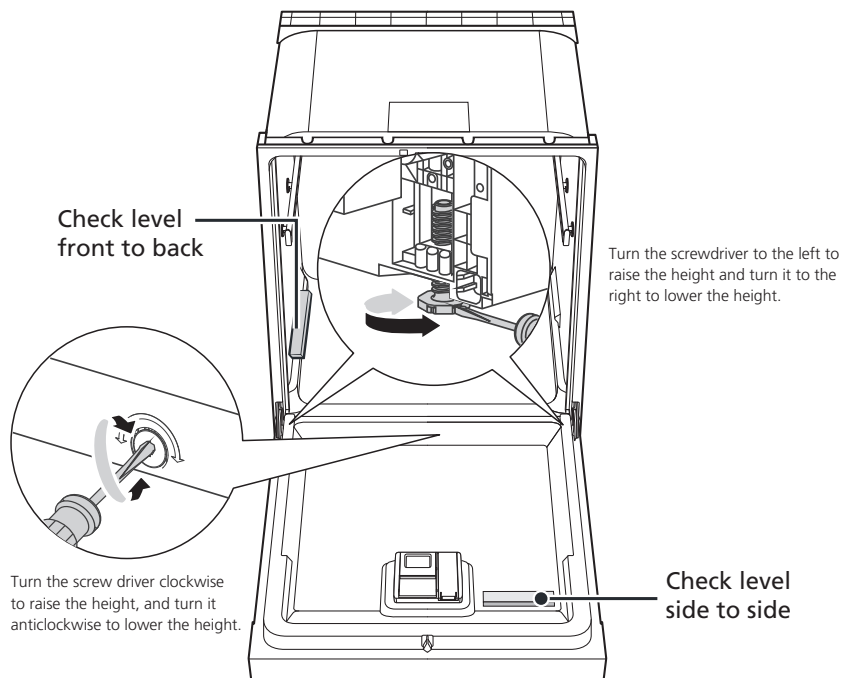
1. Install the furniture door to the outer door of the dishwasher. (Step 2 to Step 5)
2. Adjust the tension of the door springs by using an Allen key turning in a clockwise motion to tighten the left and right door springs. Failure to do this could cause damage to your dishwasher. (Step 6)
3. Affix the condensation strip under the work surface of cabinet. Please ensure the condensation strip is flush with edge of work surface. (Step 8)
4. Connect the inlet hose to the cold water supply. (Step 9)
5. Connect the drain hose. (Step 9)
6. Connect the power cord. (Step 9)
7. Place the dishwasher into the cabinet. (Step 10)
8. Level the dishwasher. The rear foot can be adjusted from the front of the dishwasher by turning the Philips screw in the middle of the base of dishwasher use a Philips screw driver. To adjust the front feet, use a flat screw driver and turn the front feet until the dishwasher is level. (Step 11)
9. The dishwasher must be secured in place. Depending on the cabinet, you can choose top or side fixation. The fixed operation is as follows: (Step 12)
 - A. Normal work surface: Put the installation hook into the slot of the side plane and secure it to the work surface with the screws.
 - B. Marble or granite work top: Fix the side with screws.



Step 4. Levelling the dishwasher

Dishwasher must be level for proper dish rack operation and wash performance.

1. Place a spirit level on door and rack track inside the tub as shown to check that the dishwasher is level.
2. Level the dishwasher by adjusting the three levelling feet individually.
3. When level the dishwasher, please pay attention not to let the dishwasher tip over.



NOTE:

The maximum adjustment height of the feet is 50 mm.

|| TROUBLESHOOTING TIPS

Before Calling For Service

Reviewing the charts on the following pages may save you from calling for service.

Problem	Possible Causes	What To Do
Dishwasher doesn't start	Fuse blown, or the circuit break tripped.	Replace fuse or reset circuit breaker. Remove any other appliances sharing the same circuit with the dishwasher.
	Power supply is not turned on.	Make sure the dishwasher is turned on and the door is closed securely. Make sure the power cord is properly plugged into the wall socket.
	Water pressure is low	Check that the water supply is connected properly and the water is turned on.
	Door of dishwasher not properly closed.	Make sure to close the door properly and latch it.
Water not pumped form dishwasher	Twisted or trapped drain hose.	Check the drain hose.
	Filter clogged.	Check the filter system.
	Kitchen sink clogged.	Check the kitchen sink to make sure it is draining well. If the problem is the kitchen sink that is not draining , you may need a plumber rather than a serviceman for dishwashers.
Foam in the tub	Wrong detergent.	Use only the special dishwasher detergent to avoid suds. If this occurs, open the dishwasher and let suds evaporate. Add 1 liter of cold water to the bottom of the dishwasher. Close the dishwasher door, then select any cycle. Initially, the dishwasher will drain out the water. Open the door after draining stage is complete and check if the suds have disappeared. Repeat if necessary.

Problem	Possible Causes	What To Do
	Spilled rinse aid.	Always wipe up rinse aid spills immediately.
Stained tub interior	Detergent with colourant may have been used.	Make sure that the detergent has no colourant.
White film on inside surface	Hard water minerals.	To clean the interior, use the damp soft cloth with dishwasher detergent and wear rubber gloves. Never use any other cleaner than dishwasher detergent otherwise, it may cause foaming or suds.
There are rust stains on cutlery	The affected items are not corrosion resistant.	Avoid washing items that are not corrosion resistant in the dishwasher.
	A program was not run after dishwasher salt was added. Traces of salt have gotten into the wash cycle.	Always run a wash program without any crockery after adding salt. Do not select the Turbo function (if present), after adding dishwasher salt.
	The lid of the softer is loose.	Check the softener lid is secure.
Knocking noise in the dishwasher	A spray arm is knocking against an item in a basket	Interrupt the program and rearrange the items which are obstructing the spray arm.
Rattling noise in the dishwasher	Items of crockery are loose in the dishwasher.	Interrupt the program and rearrange the items of crockery.
Knocking noise in the water pipes	This may be caused by on-site installation or the cross-section of the piping.	This has no influence on the dishwasher function. If in doubt, contact a qualified plumber.
The dishes are not clean	The dishes were not loaded correctly.	See PART II "Preparing And Loading Dishes" .
	The program was not powerful enough.	Select a more intensive program.

Problem	Possible Causes	What To Do
The dishes are not clean.	Not enough detergent was dispensed.	Use more detergent, or change your detergent.
	Items are blocking the movement of the spray arms.	Rearrange the items so that the spray can rotate freely.
	The filter combination is not clean or is not correctly fitted in the base of wash cabinet. This may cause the spray arm jets to get blocked.	Clean and/or fit the filter correctly. Clean the spray arm jets.
Cloudiness on glassware.	Combination of soft water and too much detergent.	Use less detergent if you have soft water and select a shorter cycle to wash the glassware and to get them clean.
White spots appear on dishes and glasses.	Hard water area can cause limescale deposits.	Check water softener settings or fill status of salt container.
Black or grey marks on dishes	Aluminium utensils have rubbed against dishes	Use a mild abrasive cleaner to eliminate those marks.
Detergent left in dispenser	Dishes block detergent dispenser	Re-loading the dishes properly.
The dishes aren't drying	Improper loading	Use gloves if detergent residue can be found on dishes to avoid skin irritations.
	Dishes are removed too soon	Do not empty your dishwasher immediately after washing. Open the door slightly so that the steam can come out. Take out the dishes until the inside temperature is safe to touch. Unload the lower basket first to prevent the dropping water from the upper basket.

Problem	Possible Causes	What To Do
The dishes aren't drying	Wrong program has been selected.	With a short program, the washing temperature is lower, decreasing cleaning performance. Choose a program with a long washing time.
	Use of cutlery with a low-quality coating.	Water drainage is more difficult with these items. Cutlery or dishes of this type are not suitable for washing in the dishwasher.

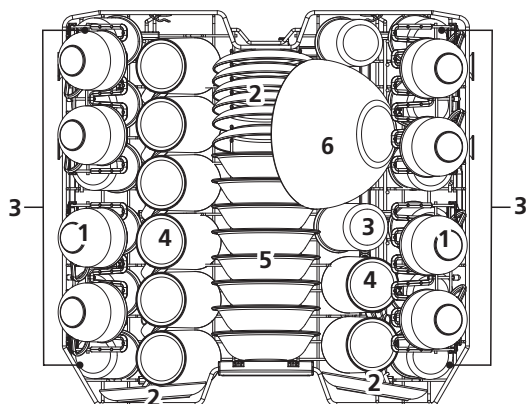
⚠ WARNING

Self-repair or non-professional repair may cause serious risks to the safety of the user of the appliance and impact warranty.

LOADING THE BASKETS ACCORDING TO EN60436:

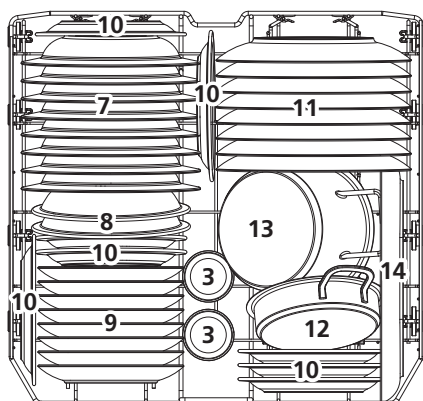
Loading the dishwasher to its full capacity will contribute to energy and water savings.

1.Upper basket:



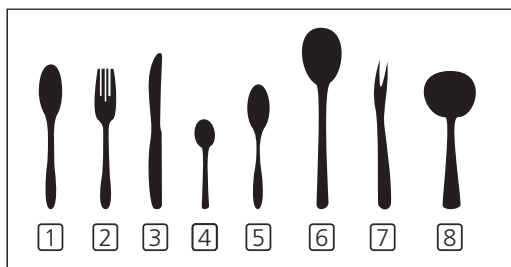
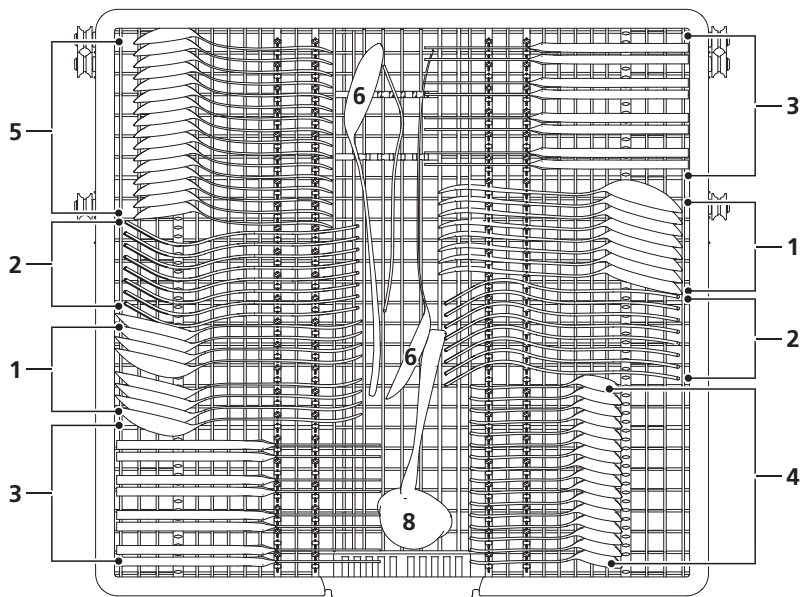
Number	Item
1	Cups
2	Saucers
3	Glasses
4	Mugs
5	Dessert bowls
6	Glass bowl

2.Lower basket:



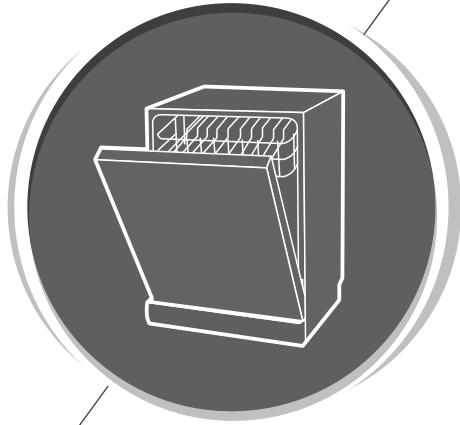
Number	Item
7	Soup plates
8	Melamine bowls
9	Dessert plates
10	Melamine dessert plates
11	Dinner plates
12	Small pot
13	Oven pot
14	Oval platter

3.Cutlery rack:



Number	Item
1	Soup spoons
2	Forks
3	Knives
4	Tea spoons
5	Dessert spoons
6	Serving spoons
7	Serving fork
8	Gravy ladle

Information for comparability tests in accordance with EN60436
 Capacity: 16 place settings
 Position of the upper basket: lower position
 Program: ECO
 Rinse aid setting: Max
 Softener setting: H3



Dishwasher Instruction Manual

PART II: Special Instructions
DCJ632DQX

De Dietrich 

Please read this manual carefully
before using the dishwasher and
keep this manual for future reference.

CONTENTS

01	4	USING YOUR DISHWASHER
	4	Control Panel
	8	Water Softener
	9	Preparing And Loading Dishes
	12	Function Of The Rinse Aid And Detergent
	13	Filling The Rinse Aid Reservoir
	14	Filling The Detergent Dispenser
02	15	PROGRAM SELECTION
	15	Program Table
	16	Saving Energy
	16	Starting A Program
	17	Changing The Program Mid-Cycle
	18	Forget To Add A Dish
	18	Auto Open
03	19	ERROR CODES
04	20	TECHNICAL INFORMATION

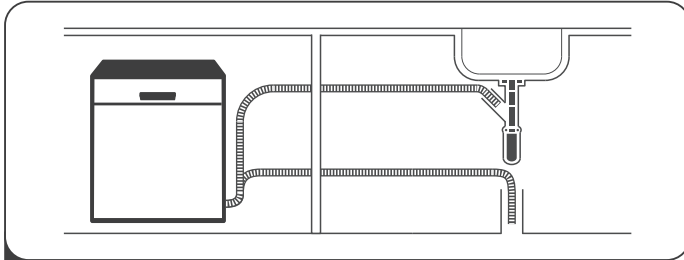


NOTE:

- If you cannot solve the problem by yourself, please ask for help from a professional technician.
- The manufacturer, following a policy of constant development and updating of the product, may make modifications without giving prior notice.

QUICK USER GUIDE

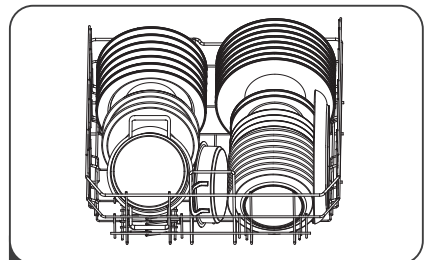
Please read the corresponding content in the instruction manual for detailed operating method.



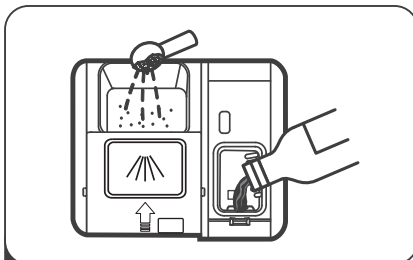
- 1 Install the dishwasher
(Please check the section 5 "INSTALLATION INSTRUCTION" of PART I : General Instructions)



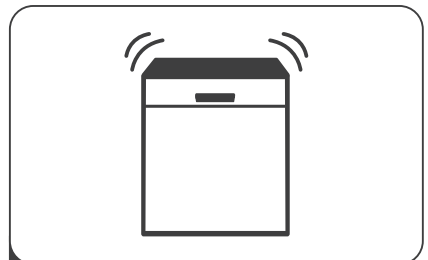
- 2 Remove larger residue from dishes.
Avoid pre-rinsing.



- 3 Load the baskets.



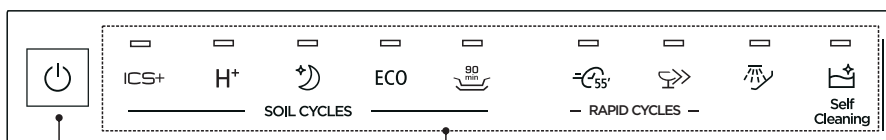
- 4 Fill the dispenser with detergent and rinse aid.



- 5 Select a suitable program and start the dishwasher.

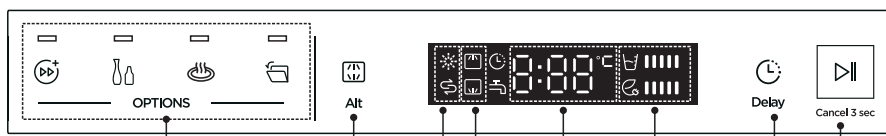
USING YOUR DISHWASHER

Control Panel



1

2



6

4

7

8

9











10

3








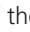



5

Operation (Button)




<p>1 Power</p>	<p>Press this button to turn on your dishwasher, the screen lights up.</p>
<p>2 Program</p>	<p>ICS+ Auto This program is sensor controlled and will adapt to the level of soil. It is suitable for all types of crockery.</p> <p>H+ Hygiene 72° This program is suitable for all types of crockery and soil levels. It provides the highest wash temperature for the sanitization of dishes.</p> <p>Whisper This program is suitable for glasses and crockery with normal soil. It operates more quietly and can be used in the evening or at night.</p>

<p>2 Program</p>	<p>ECO ECO This is the standard program, it is suitable to clean normally soiled tableware and it is the most efficient program in terms of its combined energy and water consumption.</p> <p> 90 Min For normally soiled loads that need a quick wash and dry.</p> <p> Wash&Dry 55' For normally soiled loads that need a quick wash and dry.</p> <p> Quick Wash 35' This program provides the shortest wash for lightly soiled tableware that does not need drying.</p> <p> Pre-Wash This is a rinse only program to loosen soil particles on the dishes for a later wash.</p> <p> Self-Cleaning This program is for the effective cleaning of the dishwasher itself, without dishes.</p>
<p>3 Delay</p>	<p>Press the button to delay the start time of a program for up to 24 hours in one-hour increments. When selected the response indicator () will be lit.</p>
<p>4 Alt</p>	<p>Press the button to select a wash for either only upper or lower basket only or both. The response indicators ( ) will be lit.</p>
<p>5 Start/Pause</p>	<p>Press the button to start the selected cleaning program or pause a running program.</p>
<p>6 Option</p>	<p> Turbo Speed+ With this option the running time will be reduced by 15%-50%, according to increased temperature and motor rotate speed. It can not be selected in combination with Auto, Quick wash 35' and Pre-wash. If it is combined with Auto Open, the Self-Cleaning also can not be selected.</p> <p> Clean Jet This option can be used for cleaning bottles placed in the dedicated area in the upper basket. The option can not be selected in combination with Auto, Wash&Dry 55', Pre-wash and Self-cleaning.</p>

Display

<p>6 Option</p>	<p> Extra Drying</p> <p>With this option the drying effect will be improved by increased temperature in the last rinse and longer drying time. It can only be selected in combination with ECO, Hygiene 72°, Whisper, and 90min.</p> <p> Auto Open</p> <p>The dishwasher door automatically opens at the end of the program to improve the drying result. The factory setting of the Auto Open is on by default. When cancel the setting, the setting is saved after turning off the dishwasher. It can not be selected in combination with Quick wash 35', Pre-wash and Self-cleaning.</p>
<p>7 Warning Indicator</p>	<p> Rinse Aid</p> <p>When the “” indicator is lit, it means the dishwasher is low on rinse aid and requires a refill.</p> <p> Salt</p> <p>When the “” indicator is lit, it means the dishwasher is low on dishwasher salt and needs to be refilled.</p> <p> Water Faucet</p> <p>If the “” indicator is lit, it means the water faucet closed.</p>
<p>8 Alt Indicator</p>	<p> Upper basket wash only</p> <p>When you select Upper, only the dishes in the upper rack will be washed. The spray system of the lower basket will not operate.</p> <p> Lower basket wash only</p> <p>When you select Lower, only the dishes in the lower rack will be washed. The spray system of the upper basket will not operate.</p> <p> Upper or lower basket wash alternatively</p> <p>When you select the both, the dishes in the upper and lower rack will be washed. The spray system of the upper or lower basket will be operated alternatively or both.</p>

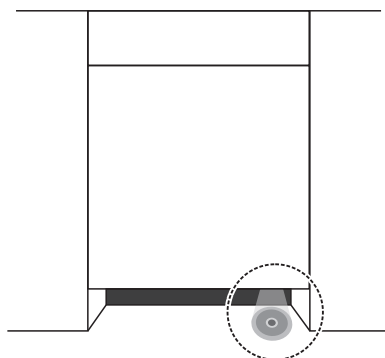
Display

9 Screen	 <p>Display of the remaining program time, wash temperature, delay time, error codes, etc.</p>
10 Consumption Indicator	<p> Water consumption level The consumption indicator shows the water consumption level of a selected program. The more bars are displayed, the higher the water consumption is.</p> <p> Energy consumption level The consumption indicator shows the energy consumption level of a selected program. The more bars are displayed, the higher the energy consumption is.</p>

NOTE:

Indicator lamp function

The Indicator lamp will be lit up during the washing program, then blink for 5 minutes and extinguished on the end of the program.



Water Softener

The water softener must be set manually, using the water hardness dial.

The water softener is designed to remove minerals and salts from the water, which would have a detrimental or adverse effect on the operation of the appliance.

The more minerals there are, the harder your water is. If hard water is used in the dishwasher, deposits will form on the dishes and utensils.

The softener should be adjusted according to the hardness of the water in your area. Your local water authority can advise you on the hardness of the water in your area.

NOTE:

If your dishwasher is not equipped with a water softener, you may skip this section.

Adjusting salt consumption

The dishwasher is designed to allow for adjustment in the amount of salt consumed based on the hardness of the water used. This is intended to optimise and customise the level of salt consumption.

The dishwasher must be adjusted to the water hardness in your area.

This will affect the consumption of dishwasher salt consumed.

To adjust the water softener setting follow the steps below:

1. Open the door and switch on the appliance.
2. Within 60 seconds after the appliance was switched on press the Self-Cleaning button for more than 5 seconds to enter the water softener setting mode.
3. Press the Self-Cleaning button again to select the proper setting according to your local environment, the setting will change in the following sequence:
H1->H2->H3->H4->H5->H6;
4. Press the Power button to save the setting and end the setting mode.

WATER HARDNESS				Water softener level	Regeneration occurs every X program sequence 1)	Salt consumption (gram/cycle)
German °dH	French °fH	British °Clarke	mmol/l			
0 - 5	0 - 9	0 - 6	0 - 0.94	H1	No regeneration	0
6 - 11	10 - 20	7 - 14	1.0 - 2.0	H2	10	9
12 - 17	21 - 30	15 - 21	2.1 - 3.0	H3	5	12
18 - 22	31 - 40	22 - 28	3.1 - 4.0	H4	3	20
23 - 34	41 - 60	29 - 42	4.1 - 6.0	H5	2	30
35 - 55	61 - 98	43 - 69	6.1 - 9.8	H6	1	60

The factory setting is H3.

- 1) Every cycle with a regeneration operation consumes additional 3.0 litres of water, the energy consumption increases by 0.02 kWh and the program extends by 4 minutes.



Please check the section 3 “Loading The Salt Into The Softener” of PART I : General Instructions, if your dishwasher lacks salt.

• **Preparing And Loading Dishes**

- Consider buying tableware and utensils which are dishwasher safe.
- For delicate items select a program with the lowest possible temperature.
- To prevent damage, do not take glasses and cutlery out of the dishwasher immediately after the program has ended.

This dishwasher is designed to clean and dry common tableware and cookware. However, not all items should be washed in the dishwasher.

The following items are not suitable and may be damaged during the wash:

- Cutlery with wooden, horn china or mother-of-pearl handles.
- Plastic items that are not heat resistant.
- Older cutlery with glued parts that are not temperature resistant.
- Bonded cutlery items or dishes.
- Pewter or cooper items.
- Crystal glass.
- Steel items subject to rusting.
- Wooden platters.
- Items made from synthetic fibres.

Please be aware of the following:

- Some types of glasses can become dull after a large number of washes.
- Silver and aluminum parts have a tendency to discolour during washing.
- Glazed patterns may fade if machine washed frequently.

Recommendations for loading the dishwasher

Scrape off any large amounts of leftover food. Soften remnants of burnt food in pots, pans and casserole dishes. It is not necessary to rinse the dishes under running water.

For best performance of the dishwasher, follow these loading guidelines.

(Features and appearance of baskets and cutlery baskets may vary from model to model.)

- Items such as cups, glasses, pots, pans, etc. must face downwards.
- Curved items, or items with recesses, should be loaded aslant so that water can run off easily.
- All items should be placed securely so that they can not tip over.
- All items must be placed in a way that the spray arms can rotate freely. Check the rotation of spray arms before starting a program.
- Dishes and items of cutlery must not lie inside one another, or cover each other.
- Avoid nesting of cutlery items or that items cover each other so that the water can reach all areas.
- The upper basket is designed to hold more delicate and lighter dishware such as glasses, coffee and tea cups.
- Sharp or long bladed knives stored in an upright position are a potential hazard.
- Long and sharp items of cutlery such as carving knives must be positioned horizontally in the upper basket.
- Please do not overload your dishwasher. This is important for good results and for reasonable consumption of energy.

NOTE:

Very small items should not be washed in the dishwasher as they could easily fall out of the basket.

Removing the dishes

To prevent water dripping from the upper basket into the lower basket, we recommend that you empty the lower basket first, followed by the upper basket.

WARNING



Items will be hot! To prevent damage, do not remove glasses or delicate items from the dishwasher baskets until they are cooled down.

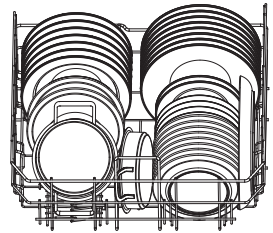
Loading the upper basket

The upper basket is designed to hold more delicate and lighter dishware such as glasses, coffee and tea cups and saucers, as well as plates, small bowls and shallow pans. Position the dishes and cookware so that they will not get moved by the spray of water.



Loading the lower basket

We suggest that you place large and difficult to clean items into the lower basket: such as pots, pans, lids, serving dishes and bowls, as shown in the figure . It is preferable to place serving dishes and lids on the side of the racks in order to avoid blocking the rotation of the upper spray arm.



Loading the cutlery rack

Cutlery should be placed in the cutlery rack separate from each other in the appropriate positions. Avoid nesting of the cutlery to prevent insufficient cleaning performance.



For optimal cleaning and drying results, please refer to the standard loading options in the last section of PART I : General Instructions

Function Of The Detergent And Rinse Aid

Function of detergent

The chemical ingredients of dishwasher detergents are necessary to remove, crush and dispense all dirt out of the dishwasher. Most of the commercial quality detergents are suitable for this purpose.

⚠ WARNING

- Use only detergent specifically made for dishwashers use. Keep your detergent fresh and dry.
- Do not fill detergent into the dispenser until you are ready to start the dishwasher.



Dishwasher detergents are corrosive! Keep dishwasher detergent out of reach from children.

Function of rinse aid

The rinse aid is released during the final rinse to prevent water from forming droplets on your dishes, which can leave spots and streaks. It also improves drying by allowing water to run off the dishes. Your dishwasher is designed to use liquid rinse aids.

⚠ WARNING

Never fill the rinse aid dispenser with any other substances (e.g. Dishwasher cleaning agent, liquid detergent). This would damage the appliance.

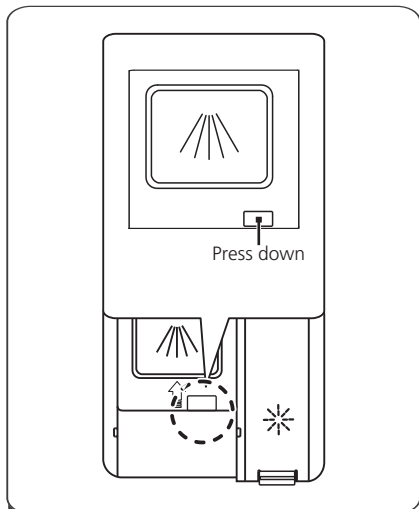
When to refill the rinse aid dispenser

Almost every program uses rinse aid in the final rinse. Depending on the frequency of use and the rinse aid setting the dispenser needs to be refilled.

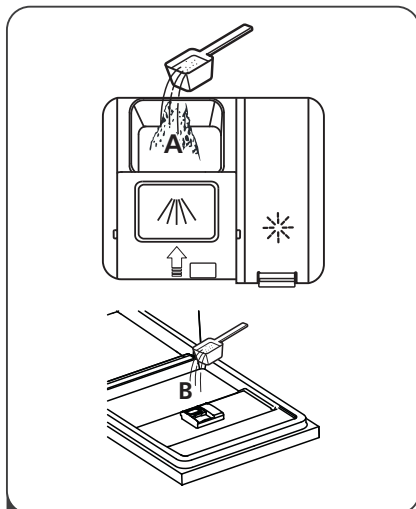
The Rinse Aid indicator () will be lit when a refill is required.

Do not overfill the rinse aid dispenser.

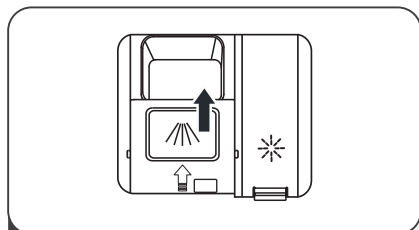
Filling The Detergent Dispenser



- 1 Open the lid by pressing down the release catch.



- 2 Add detergent into the detergent cup (A) for the main wash phase. For better cleaning result, especially when you have very dirt items, pour a small amount of detergent onto the door (B). The additional detergent will be activated during the pre-wash phase.

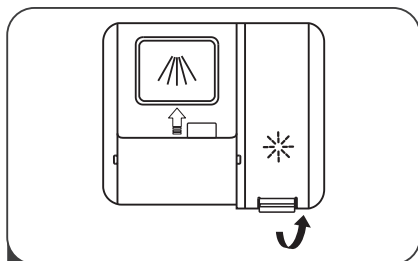


- 3 Close the dispenser lid by sliding the lid down until latched.

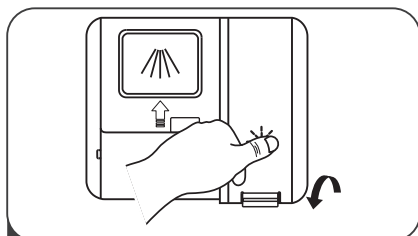
NOTE:

- Please observe the manufacturer's recommendations on the detergent packaging.

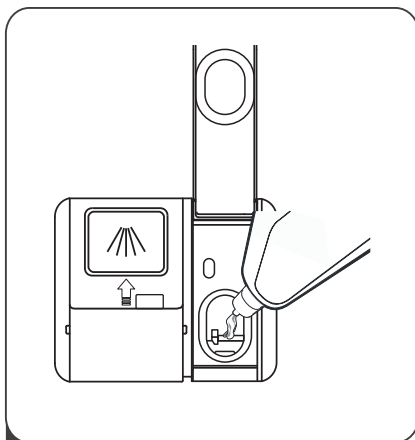
Filling The Rinse Aid Reservoir



- 1 Open the lid of the rinse aid reservoir by lifting up the handle.



- 3 Properly close the lid after filling the reservoir.



- 2 Pour the rinse aid slowly into the dispenser, avoid overfilling. Any spilled rinse aid should be removed with a cloth.

Adjusting the rinse aid setting

The amount of rinse aid dispensed in the final rinse can be adjusted as follows:

1. Open the door and switch on the appliance.
2. Within 60 seconds after the appliance was switched on press the Self-Cleaning button for more than 5 seconds and then press the Delay button to enter the rinse aid setting mode. The rinse aid indicator will start blinking.
3. Press the Self-Cleaning button again to select the setting according to your needs. The setting will change in the following sequence: D1->D2->D3->D4->D5->D1. The higher the number, the more rinse aid the dishwasher will use. The factory setting is H3.
4. When the desired setting is reached wait 5 seconds or press the Power button to complete the setup and exit the setting mode.

PROGRAM SELECTION




Program Table

The table shows various information about the programs.

Consumption values and program duration are only indicative except for ECO program.

(●) indicates that the program uses rinse aid in the last rinse.

Program	Description Of Cycle	Detergent Pre/Main Wash	Running Time (min)	Energy (kWh)	Water (L)	Rinse Aid
ICS+ Auto	Prewash (45°C)					
	Wash (55-65°C)					
	Rinse	5/19g	102-175	0.930-1.470	10.3-16.9	●
	Rinse (50-60°C)	(1 or 2 tabs)				
	Drying					
H+ Hygiene 72°	Prewash					
	Wash (72°C)					
	Rinse	5/19g	225	1.925	16.7	●
	Rinse (72°C)	(1 or 2 tabs)				
	Drying					
Whisper	Prewash					
	Wash (60°C)					
	Rinse	5/19g	230	1.330	16.7	●
	Rinse (50°C)	(1 or 2 tabs)				
	Drying					
ECO (*EN60436)	Wash (50°C)					
	Rinse	24g	205	0.769	9.5	●
	Rinse (45°C)	(1 or 2 tabs)				
	Drying					
90 Min	Prewash					
	Wash (60°C)					
	Rinse	5/19g	90	0.940	13.6	●
	Rinse (50°C)	(1 or 2 tabs)				
	Drying					
Wash&Dry 55'	Wash (60°C)					
	Rinse	24g	55	0.795	11.3	●
	Rinse (50°C)	(1 tab)				
	Drying					

Program	Description Of Cycle	Detergent Pre/Main	Running Time(min)	Energy (kWh)	Water (L)	Rinse Aid
 Quick Wash 35'	Wash (55°C)	$\frac{18g}{(1 \text{ tab})}$	35	0.690	11.3	○
	Rinse					
	Rinse (45°C)					
 Pre-Wash	Prewash	/	14	0.120	3.9	○
 Self-Cleaning	Wash (70°C)	$\frac{24g}{(1 \text{ tab})}$	115	1.245	11.7	●
	Rinse					
	Rinse (55°C)					

NOTE:

ECO : The ECO program is suitable to clean normally soiled tableware, that for this use, it is the most efficient program in terms of its combined energy and water consumption, and it is used to assess compliance with the EU eco design legislation.

Running time of the Auto Open

Option \ Program	Running time (min)								
	Auto	Hygiene 72°	Whisper	ECO	90 Min	Wash&Dry 55'	Quick Wash 35'	Pre-Wash	Self-Cleaning
With auto open	102-175	225	230	205	90	55	/	/	/
Without auto open	121-189	239	264	220	90	55	35	14	115

NOTE: The Auto open Option can not be selected in combination with Quick wash 35', Pre-wash and Self-cleaning.

Saving Energy

1. Pre-rinsing of tableware items leads to increased water and energy consumption and is not recommended.
2. Washing tableware in a household dishwasher usually consumes less energy and water in the use phase than hand dishwashing when the household dishwasher is used according to the instructions.

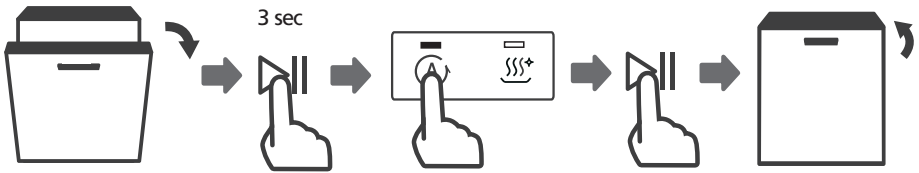
Starting A Program

1. Pull out the lower and upper basket, load the dishes and push them back.
2. Add the detergent in the dispenser.
3. Insert the plug into the socket.
Make sure that the water supply is turned on within specified range of pressure.
4. Open the door, Press the Power button.
5. Choose a program and press the Start button. Then close the door, the dishwasher will start the program.

Changing The Program Mid-Cycle

A program can only be changed if it has been running for a short period of time, otherwise the detergent may have already been released or the the wash water with detergent has already been drained. If this is the case, the dishwasher needs to be reset and the detergent dispenser must be refilled. To reset the dishwasher, follow the instructions below:

1. Open the door a little to pause the cycle, after the spray arms stopped working you can open the door completely.
2. Press Start/Pause button for more than three seconds, the dishwasher will be in program selection mode.
3. You can change the program to the desired cycle setting.
4. Press the Start/Pause button, and close the door, the dishwasher will restart to run.



Forget To Add A Dish

A forgotten dish can be added any time before the detergent dispenser opens. If this is the case, follow the instructions below:

1. Open the door a little to stop the washing.
2. After the spray arms stopped working, you can open the door completely.
3. Add the forgotten dishes.
4. Close the door.
5. The dishwasher will start running again.



⚠ WARNING

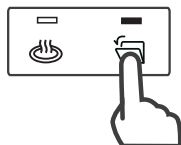


It is dangerous to open the door mid-cycle, as hot steam may scald you.

Auto Open

At the end of a program the door will open automatically to achieve better drying effect and reduce energy use during the drying phase.

You can press the Auto Open button to activate or remove the Auto Open option.



💡 NOTE:

The dishwasher door must not be blocked when set to open automatically. This can disrupt door lock functionality.

ERROR CODES

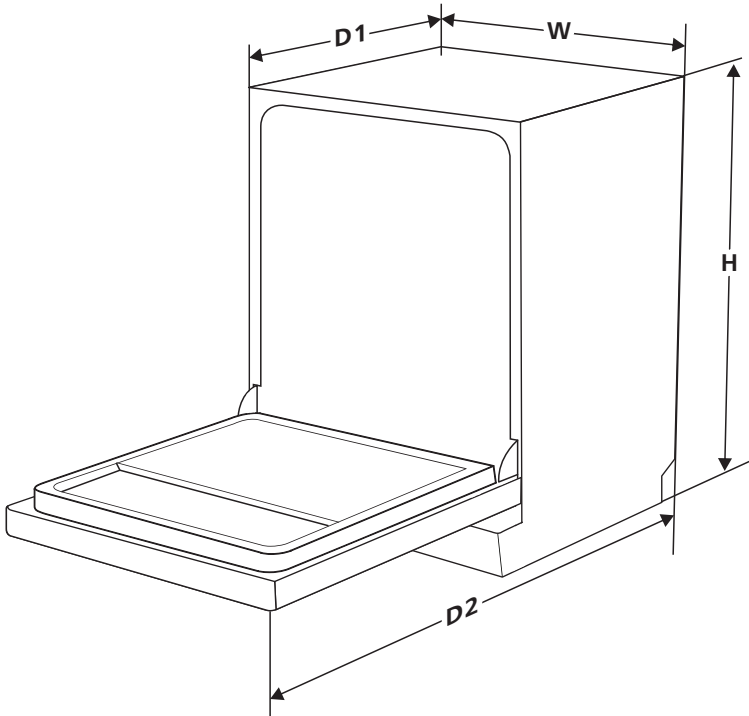
If there is a malfunction the dishwasher will display an error code. The following table shows possible error codes and their causes.

Codes	Meaning	Possible Causes
E1	Longer inlet time	Faucet is not opened, or water intake is restricted, or water pressure is too low
E3	Not reaching required temperature	Malfunction of heating element
E4	Overflow	Some element of dishwasher leaks
Ec	Failure of the washing control system	Defective PCB, drain pump or motor failure
Ed	Failure of communication between main circuit board with display circuit board	Open circuit or break wiring for the communication

⚠ WARNING

- If overflow occurs, turn off the main water supply before calling a service.
- If there is water in the base pan because of an overflow or small leak, the water should be removed before restarting the dishwasher.
- If there is an error code that cannot be solved, please request professional assistance.

TECHNICAL INFORMATION



Height (H)	857 mm
Width (W)	598 mm
Depth (D1)	550 mm (with the door closed)
Depth (D2)	1226 mm (with the door opened 90°)

DATABASE ACCESS

In order to access to your model information stored in the product database, as set out in Regulation (EU) 2019/2017 and relating to energy labelling, please log on to the website: <https://eprel.ec.europa.eu/>

Look for the reference of your product on the website by putting the service reference that is indicated on your product rating plate.

Another means to access this information is to flash the "QR" code on the energy label of your product.

EN After Sales Service:

Any maintenance on your equipment should be undertaken by:

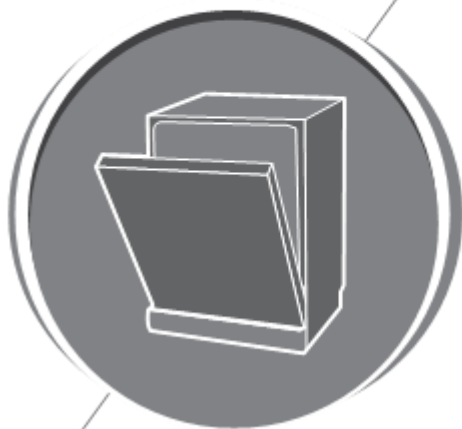
-Either your dealer,

-Or another qualified mechanic who is an authorized agent for the brand appliances.

When making an appointment, state the full reference of your equipment (model, type and serial number). This information appears on the manufacturer's nameplate attached to your equipment.

INFORMATION:

The minimum period of availability of spare parts listed in the European Regulation 2019-2022-EU and accessible in particular to the user of the appliance, is 10 years under the conditions layed down in the same regulation.



Lave-vaisselle

Mode d'emploi

PARTIE I : Consignes générales

Veillez lire attentivement ce mode d'emploi avant d'utiliser votre lave-vaisselle. Conservez-le pour pouvoir vous y référer ultérieurement.

TABLE DES MATIÈRES

01	3	CONSIGNES DE SÉCURITÉ
02	8	PRÉSENTATION DE L'APPAREIL
03	9	UTILISATION DE VOTRE LAVE-VAISSELLE
	9	Ajout de sel dans l'adoucisseur
	11	Conseils pour le remplissage des paniers
	13	Grand porte-ustensiles polyvalent
04	14	ENTRETIEN ET NETTOYAGE
	14	Entretien extérieur
	14	Entretien intérieur
	17	Entretien du lave-vaisselle
05	18	CONSIGNES D'INSTALLATION
	18	À propos du raccordement électrique
	19	Arrivée d'eau et vidange
	20	Raccordement du tuyau de vidange
	21	Positionnement de l'appareil
	21	Encastrement (pour le modèle encastré)
06	25	GUIDE DE DÉPANNAGE
	28	Disponibilité des pièces détachées
07	29	REPLISSAGE DES PANIERS



REMARQUE :

- Référez-vous à la rubrique Guide de dépannage : celle-ci peut vous aider à remédier vous-même à certains des problèmes les plus courants.
- Si vous ne pouvez pas remédier vous-même au problème, faites appel à un technicien professionnel.
- Conformément à sa politique d'évolution et de mise à jour constantes du produit, le fabricant est susceptible d'y apporter des modifications sans préavis.

CONSIGNES DE SÉCURITÉ

AVERTISSEMENT

Lorsque vous utilisez votre lave-vaisselle, observez les précautions indiquées ci-dessous :

- Seul un technicien qualifié peut procéder à l'installation et à la réparation de l'appareil
- Cet appareil est exclusivement destiné à un usage domestique ainsi que pour des applications similaires telles que :
 - cuisines dans des magasins, bureaux et autres environnements de travail ;
 - exploitations agricoles ;
 - hôtels, motels, chambres d'hôtes et autres environnements résidentiels ;
 - établissements de demi-pension.
- Les enfants âgés de 8 ans et plus, les personnes aux capacités physiques, sensorielles ou mentales réduites et les personnes dénuées d'expérience ou de connaissances pertinentes ne sont autorisés à utiliser l'appareil que sous la responsabilité d'une personne expérimentée ou s'ils ont reçu les instructions nécessaires à l'utilisation sécurisée de l'appareil et s'ils comprennent les risques encourus.
- Les enfants ne doivent pas jouer avec l'appareil. Le nettoyage et l'entretien ne doivent pas être effectués par des enfants sans supervision. (Pour EN 60335-1)
Cet appareil n'est pas prévu pour être utilisé par des personnes (y compris les enfants) dont les capacités physiques, sensorielles ou mentales sont réduites, ou par des personnes dénuées d'expérience ou de connaissances, sauf

si elles ont pu bénéficier, par l'intermédiaire d'une personne responsable de leur sécurité, d'une surveillance ou d'instructions préalables concernant l'utilisation de l'appareil.

- Les matériaux d'emballage peuvent être dangereux pour les enfants !
- Cet appareil est exclusivement réservé à un usage domestique.

Pour éviter tout risque d'électrocution, veillez à ne jamais immerger l'appareil, le câble ou la prise dans l'eau ou dans tout autre liquide.

- Veuillez débrancher l'appareil avant toute opération de nettoyage ou d'entretien de l'appareil.
- Si le câble d'alimentation est endommagé, faites-le remplacer par le fabricant, par un réparateur agréé ou par une personne de compétence similaire afin d'éviter tout danger.



Consignes de mise à la terre

- Cet appareil doit être mis à la terre. En cas de dysfonctionnement ou de panne, la mise à la terre de l'appareil permet de réduire les risques d'électrocution en assurant une voie de faible résistance pour le courant électrique. Cet appareil est équipé d'une prise conductrice de mise à la terre.
- La prise doit être branchée à une source adaptée qui est installée et mise à la terre conformément à l'ensemble des réglementations locales.
- Un mauvais branchement du conducteur de mise à la terre peut entraîner un risque d'électrocution.

- En cas de doute concernant la mise à la terre de l'appareil, faites appel à un électricien compétent ou à un représentant du service de réparation.
- Ne modifiez pas la fiche électrique fournie avec l'appareil si elle ne correspond pas à la prise.
- Si celle-ci n'est pas adaptée à votre prise, faites installer une prise adéquate par un électricien compétent.
- Veillez à ne pas abîmer, à ne pas vous asseoir et à ne pas monter sur la porte ni sur les paniers à vaisselle du lave-vaisselle.
- N'utilisez pas votre lave-vaisselle si toutes les parois ne sont pas correctement installées.
- Faites preuve de prudence lorsque vous ouvrez la porte du lave-vaisselle alors que celui-ci est en marche : de l'eau peut s'en échapper.
- Veillez à ne pas placer d'objets lourds et à ne pas monter sur la porte lorsque celle-ci est ouverte. L'appareil pourrait basculer.
- Lorsque vous chargez de la vaisselle sale :
 - 1) Placez les éléments coupants de manière à ce qu'ils ne puissent pas endommager le joint de porte ;
 - 2) Attention : les couteaux et autres ustensiles coupants doivent être placés dans le panier à couvert tête vers le bas ou en position horizontale.
- Certains détergents pour lave-vaisselle sont très alcalins. Ils peuvent être extrêmement dangereux en cas d'ingestion. Évitez tout contact avec la peau et les yeux et éloignez les enfants du lave-vaisselle lorsque la porte de l'appareil est ouverte.
- À la fin du cycle de lavage, vérifiez qu'il n'y a plus aucune trace de détergent.

- Assurez-vous que tous vos ustensiles en plastique présentent la mention « lavable au lave-vaisselle » ou une autre mention équivalente avant de les laver dans l'appareil.
- Pour les ustensiles en plastique qui ne présentent aucune mention de ce type, vérifiez les recommandations du fabricant.
- Utilisez uniquement les détergents et les produits de rinçage recommandés pour les lave-vaisselle automatiques.
- N'utilisez jamais de savon, de lessive ou de produit de lavage à la main pour faire fonctionner votre lave-vaisselle.
- Veillez à toujours refermer la porte de l'appareil pour éviter tout risque de chute.
- Lors de l'installation de l'appareil, veillez à ne pas plier ou aplatir excessivement ou dangereusement le câble d'alimentation.
- Ne modifiez pas les commandes.
- L'appareil doit être raccordé à la valve d'alimentation principale en eau à l'aide de flexibles neufs. Ne réutilisez pas vos anciens flexibles.
- Dans un souci d'économie d'énergie, en mode veille, l'appareil s'éteint automatiquement si aucune opération n'est réalisée pendant 15 minutes.
- Ce produit dispose d'une capacité maximale de 16 couverts.
- La pression de l'eau autorisée à l'arrivée doit être de 0,04-1 MPa.

Mise au rebut

- Rendez-vous dans un centre de recyclage pour mettre au rebut l'appareil et son emballage.

Pour ce faire, vous devrez couper le câble d'alimentation et rendre le système de fermeture de la porte inutilisable.

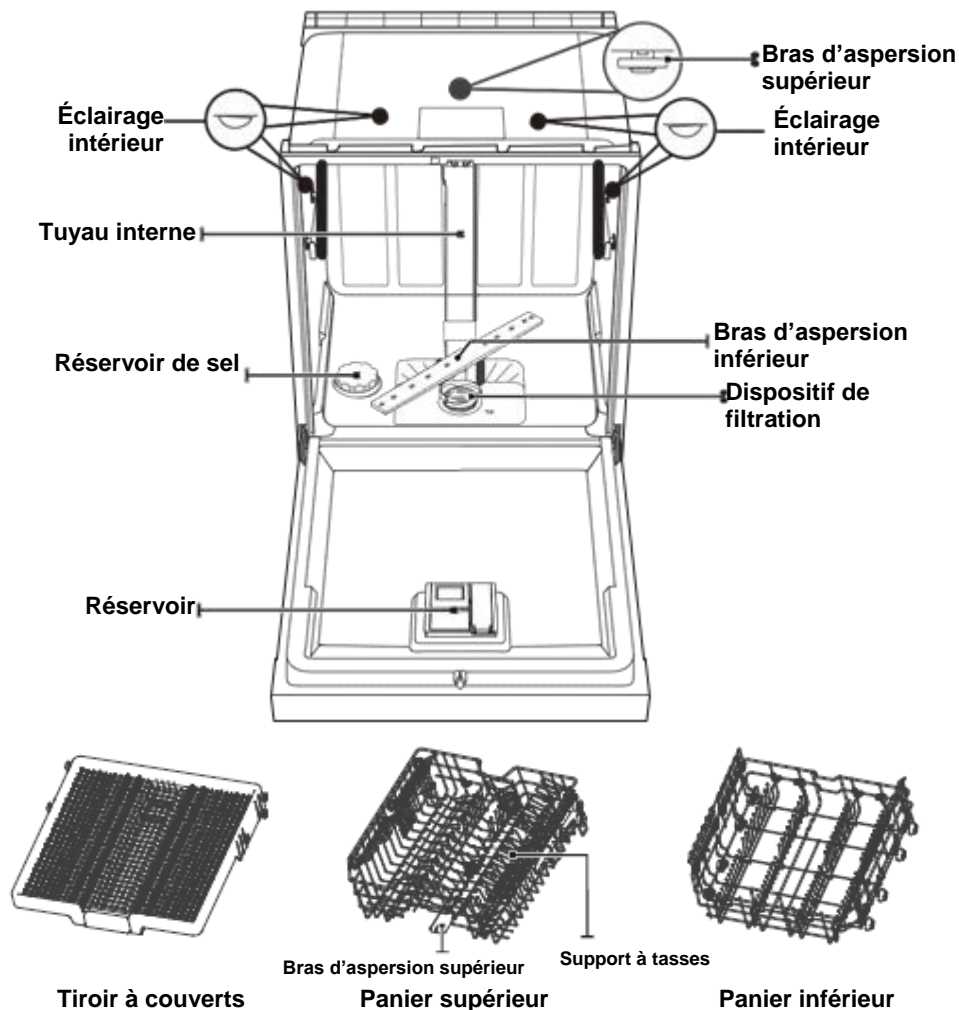


- L'emballage en carton est fabriqué à partir de papier recyclé et doit être jeté avec les déchets de papier pour être recyclé.
- En procédant à la mise au rebut de l'appareil dans les règles de l'art, vous contribuez à préserver l'environnement et la santé humaine, en veillant à ce que les déchets soient traités dans des conditions optimales.
- Pour plus d'informations concernant le recyclage de ce produit, veuillez contacter votre mairie et votre centre local de traitement des ordures ménagères.
- **MISE AU REBUT : Ne jetez pas cet appareil avec les déchets municipaux non triés. Cet appareil est à mettre au rebut séparément pour pouvoir être traité de manière adaptée.**

PRÉSENTATION DE L'APPAREIL

❶ IMPORTANT :

Pour garantir une performance optimale du lave-vaisselle, veuillez lire l'ensemble des consignes d'utilisation avant la première utilisation.

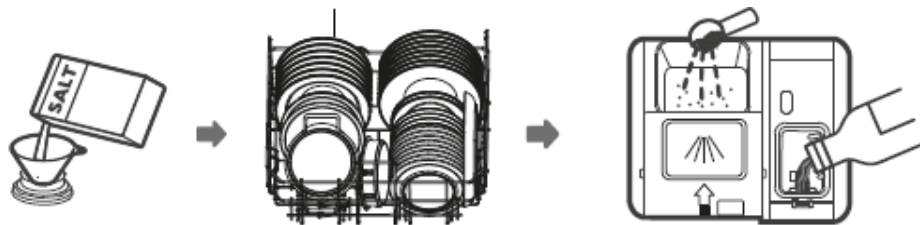


💡 REMARQUE :

Les illustrations sont uniquement fournies à titre indicatif, les différents modèles peuvent varier.

UTILISATION DE VOTRE LAVE-VAISSELLE

Avant d'utiliser votre lave-vaisselle :



1. Réglez l'adoucisseur d'eau
2. Ajoutez le sel dans l'adoucisseur
3. Remplissez les paniers
4. Remplissez le bac à détergent



Veillez vous reporter à la section 1 « Adoucisseur d'eau » de la PARTIE II/Consignes spécifiques pour le réglage de l'adoucisseur d'eau.

Ajout de sel dans l'adoucisseur



REMARQUE :

Si votre modèle n'est pas équipé d'un adoucisseur d'eau, vous pouvez sauter cette rubrique. Veillez à utiliser du sel conçu pour le lave-vaisselle.

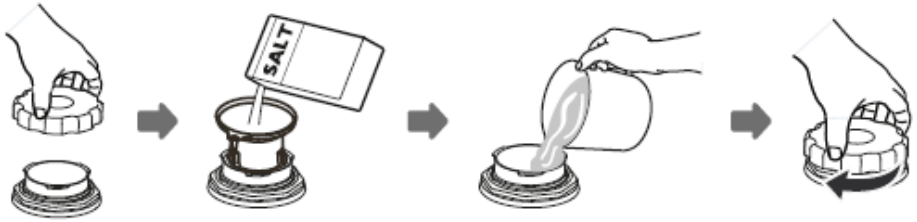
Le réservoir de sel est situé sous le panier du bas et doit être rempli selon la procédure suivante :



AVERTISSEMENT

- **N'utilisez que du sel conçu spécialement pour les lave-vaisselle !**
Tout autre type de sel non adapté au lave-vaisselle, en particulier le sel de table, risque d'endommager l'adoucisseur d'eau. Si l'appareil est endommagé suite à l'utilisation de sel non adapté, le fabricant ne fournit aucune garantie et ne saurait être tenu pour responsable des dommages causés.
- **Veillez à ajouter du sel uniquement avant un cycle de lavage.**
Ceci permet d'empêcher que des grains de sel ou de l'eau salée éventuellement versés à côté demeurent dans le fond de l'appareil pendant une certaine durée, ce qui pourrait entraîner une corrosion de la surface.

Pour ajouter le sel spécial lave-vaisselle, suivez la procédure ci-dessous :



1. Retirez le panier du bas et dévissez le couvercle du réservoir.
2. Positionnez l'extrémité de l'entonnoir (si fourni) dans le trou et versez environ **0,6** kg de sel pour lave-vaisselle.
3. Remplissez le réservoir de sel d'eau jusqu'à atteindre le niveau maximal. Il est normal qu'une petite quantité d'eau sorte du réservoir de sel.
4. Une fois le réservoir rempli, revissez le couvercle en serrant bien.
5. Une fois le réservoir de sel rempli, le voyant d'alerte du sel s'éteint.
6. Juste après avoir rempli le réservoir de sel, lancez un programme de lavage (nous recommandons un programme court) afin d'éviter que le système de filtration, la pompe ou tout autre composant important de l'appareil ne soit endommagé par l'eau salée. L'endommagement dû à l'eau salée n'est pas couvert par la garantie.

REMARQUE :

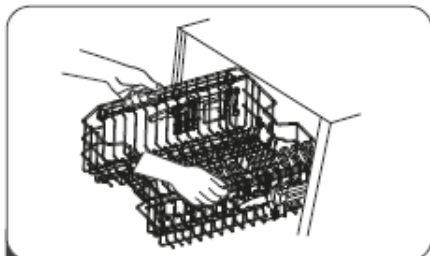
- Le réservoir de sel ne doit être rempli que lorsque le voyant d'alerte du sel (🔌) du bandeau de commande s'allume. Selon la vitesse de dissolution du sel, il est possible que le voyant d'alerte du sel reste allumé même après le remplissage du réservoir.

Si le bandeau de commande ne dispose pas de voyant d'alerte du sel (sur certains modèles), vous pouvez déterminer quand ajouter du sel dans l'adoucisseur en fonction du nombre de cycles exécutés par le lave-vaisselle.

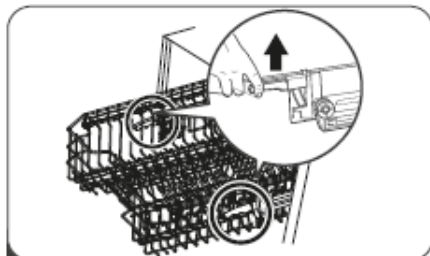
- Si vous avez versé du sel à côté du réservoir, lancez un programme de trempage ou un programme rapide pour l'éliminer.

Conseils pour le remplissage des paniers

Réglage du panier du haut



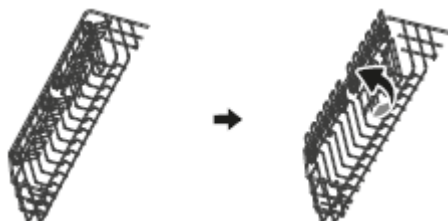
1 Pour relever le panier du haut, il suffit de le soulever par le milieu de chaque côté jusqu'à ce qu'il se verrouille en position haute. Il n'est pas nécessaire de soulever les poignées de réglage.



2 Pour abaisser le panier du haut, soulevez les poignées de réglage de chaque côté pour libérer le panier et le mettre en position basse.

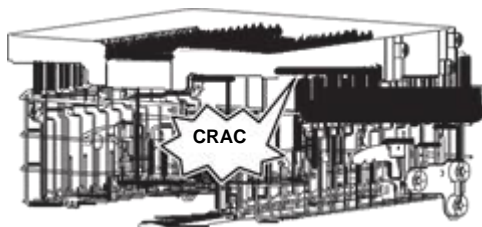
Rabattre le support à tasses

Pour libérer de la place pour les éléments plus grands dans le panier du haut, rabattez le support à tasses vers le haut. Vous pouvez alors poser les grands verres contre ce support. Vous pouvez également le retirer lorsque vous n'en avez pas l'utilité.



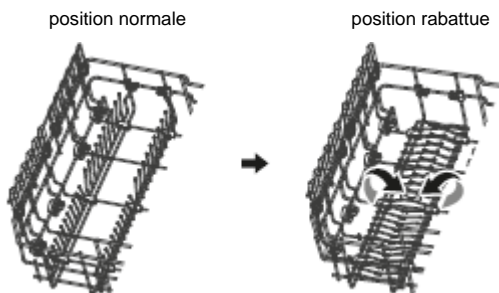
REMARQUE :

Lorsque le panier du haut se verrouille en position haute, il devient impossible de replier le support à tasses.



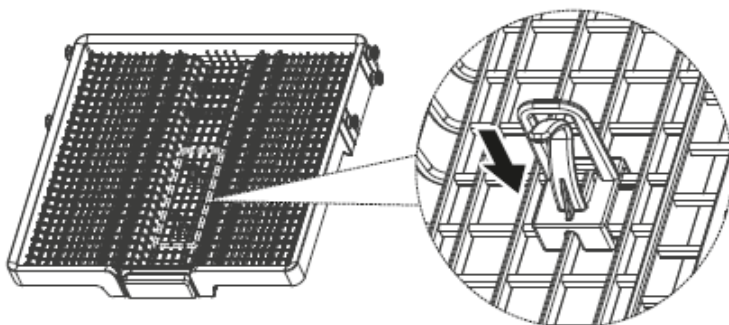
Rabattre les tiges

Les tiges du panier du bas permettent de déposer les assiettes et les plateaux. Vous pouvez les rabattre afin de libérer de la place pour les plats plus grands.

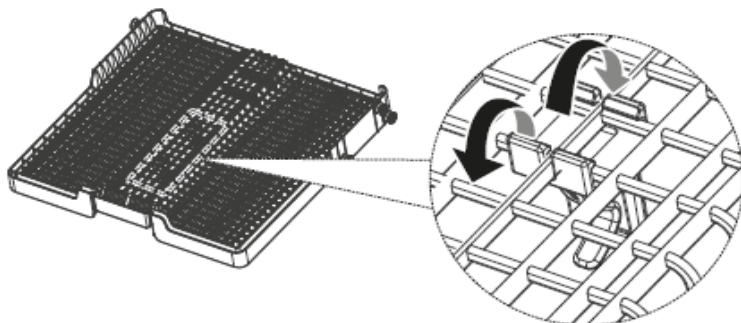


Porte-tétines

Le support est fixé en le serrant dans la position correspondante comme illustré. Il peut être utilisé pour fixer de petits éléments comme une tétine.



Pour retirer le support, passez par en dessous et desserrez les languettes comme illustré.



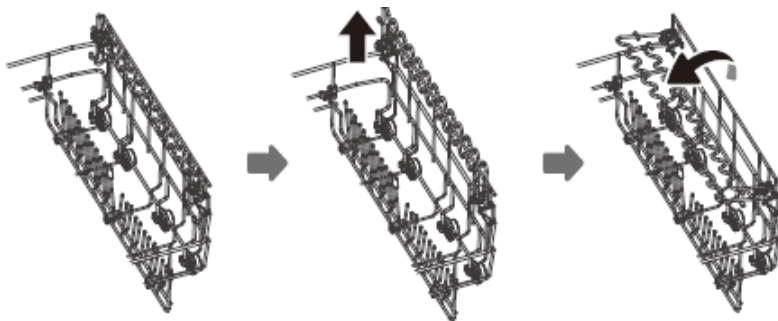
Grand porte-ustensiles polyvalent

Offre un emplacement sûr et flexible exclusivement réservé aux grands ustensiles de cuisine, tels que les plaques de four et les planches à découper. Il convient également au chargement de grands verres à vin.



Lorsque vous voulez l'utiliser, tirez sur le support, puis sortez-le.

Vous pouvez rabattre le support lorsque vous n'en avez pas l'utilité. Il n'occupe pas d'espace supplémentaire une fois replié.



ENTRETIEN ET NETTOYAGE

Entretien extérieur

Porte et joint de porte

Nettoyez régulièrement les joints de porte à l'aide d'un chiffon humide non abrasif pour retirer les résidus alimentaires.

Lorsque vous remplissez votre lave-vaisselle, il arrive que des résidus alimentaires ou liquides tachent les côtés de la porte de l'appareil. Ces surfaces se trouvent à l'extérieur de la zone de lavage et sont hors de portée de l'eau propulsée par les bras d'aspersion. Il convient d'essuyer les éventuels dépôts avant de fermer la porte.

Bandeau de commande

Pour nettoyer le bandeau de commande, essuyez-le uniquement avec un chiffon humide non abrasif.



AVERTISSEMENT

- Pour éviter que l'eau ne pénètre dans le dispositif de fermeture de la porte et les composants électroniques, n'utilisez jamais de produits nettoyants en spray.
- N'utilisez jamais de nettoyants abrasifs ou d'éponges à récurer sur les surfaces extérieures, car cela risquerait de rayer le revêtement. Certains essuie-tout peuvent également rayer la surface ou y laisser des marques.

Entretien intérieur

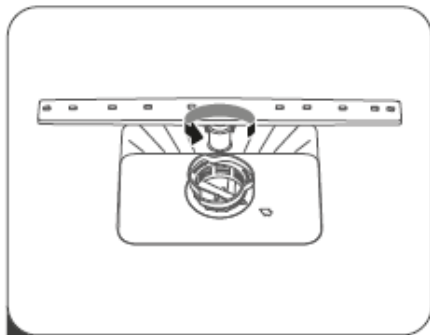
Système de filtration

Le système de filtration situé en bas de l'appareil retient les gros débris pendant le cycle de lavage, y compris les corps étrangers tels que des cure-dents ou des éclats. Les résidus collectés peuvent boucher les filtres. Contrôlez régulièrement (tous les mois) l'état des filtres. Retirez soigneusement les corps étrangers et nettoyez si nécessaire les parties du système de filtration à l'eau. Suivez la procédure ci-dessous pour nettoyer le filtre.

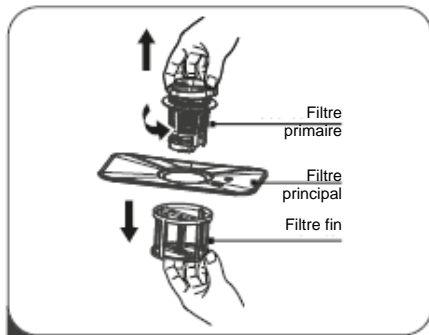


REMARQUE :

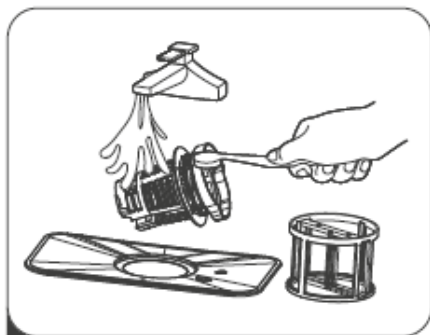
Les illustrations sont uniquement fournies à titre indicatif, les différents modèles de systèmes de filtration et de bras d'aspersion peuvent varier.



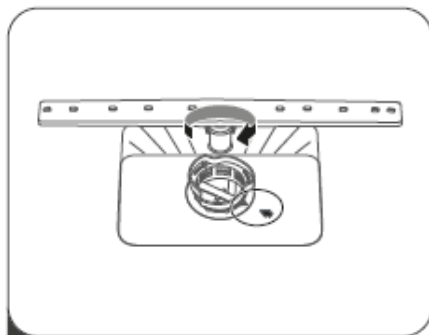
- 1** Tenez le filtre primaire et tournez-le dans le sens antihoraire pour le déverrouiller. Soulevez le filtre, puis sortez-le du lave-vaisselle.



- 2** Vous pouvez retirer le filtre fin situé en bas du dispositif de filtration. Démontez le filtre primaire du filtre principal en appuyant délicatement sur les languettes situées en haut avant de retirer le filtre.



- 3** Rincez le filtre sous l'eau du robinet pour en retirer les principaux résidus alimentaires. Pour un nettoyage plus efficace, utilisez une brosse de nettoyage non abrasive.



- 4** Remontez les filtres en suivant les étapes de démontage dans l'ordre inverse, replacez le dispositif de filtration et tournez-le dans le sens horaire jusqu'à la flèche de fermeture.

AVERTISSEMENT

- Ne serrez pas excessivement les filtres. Remontez les filtres dans l'ordre en vissant bien pour éviter que de gros résidus ne pénètrent dans le système et n'entraînent un blocage.
- N'utilisez jamais le lave-vaisselle sans les filtres. Un filtre mal remis en place peut réduire le niveau de performance de l'appareil et endommager votre vaisselle.

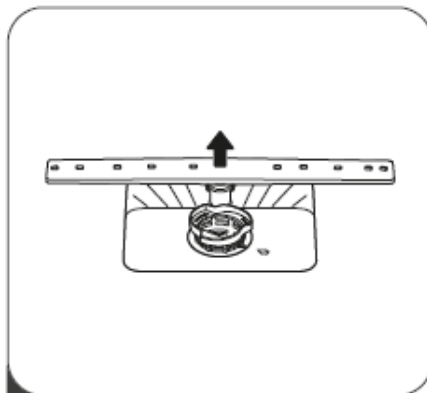
Bras d'aspersion

Il est nécessaire de nettoyer les bras d'aspersion régulièrement afin d'éviter que les particules chimiques de l'eau dure ne bouchent les buses et les roulements des bras d'aspersion.

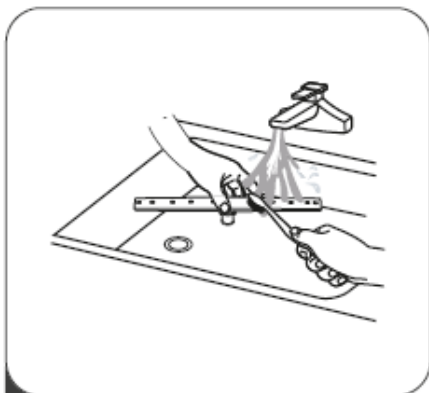
Pour nettoyer les bras d'aspersion, suivez les consignes ci-dessous :



- 1** Pour retirer le bras d'aspersion supérieur, maintenez l'écrou au centre et faites tourner le bras d'aspersion dans le sens antihoraire pour le retirer.



- 2** Pour retirer le bras d'aspersion inférieur, tirez-le vers le haut.



- 3** Lavez les bras dans de l'eau tiède et savonneuse et nettoyez les buses à l'aide d'une brosse souple. Rincez-les complètement, puis remettez-les en place.

Entretien du lave-vaisselle

Précautions antigivre

Pensez à prendre des mesures de protection contre le givre pour votre lave-vaisselle en hiver. Après chaque cycle de lavage, suivez la procédure ci-dessous :

1. Mettez le lave-vaisselle hors tension au niveau de la source d'alimentation.
2. Coupez l'arrivée d'eau et débranchez le tuyau d'arrivée d'eau du robinet d'alimentation.
3. Vidangez l'eau du tuyau d'arrivée d'eau et du robinet d'alimentation. (Servez-vous d'une casserole pour récupérer l'eau)
4. Rebranchez le tuyau d'arrivée d'eau au robinet d'alimentation.
5. Retirez le filtre au fond de la cuve et épongez l'eau résiduelle dans le bassin.

Après chaque lavage

Après chaque lavage, coupez l'arrivée d'eau et laissez la porte légèrement ouverte pendant quelques instants afin que l'humidité et les odeurs puissent s'échapper.

Débrancher la prise

Débranchez la prise avant toute opération de nettoyage ou de maintenance.

Nettoyage sans solvants ni produits abrasifs

Pour nettoyer l'extérieur et les pièces en caoutchouc de votre lave-vaisselle, n'utilisez ni solvants, ni produits de nettoyage abrasifs. Tenez-vous-en à un chiffon imbibé d'eau tiède et savonneuse.

Pour éliminer les traces présentes sur les surfaces internes, utilisez un chiffon humidifié à l'eau avec un peu de vinaigre ou un produit de nettoyage spécifiquement conçu pour les lave-vaisselle.

Inutilisation pendant une durée importante

Il est recommandé de lancer un cycle de lavage à vide, puis de débrancher la prise, de couper l'arrivée d'eau et de laisser la porte de l'appareil légèrement entrouverte. Ceci permettra d'optimiser la durée de vie des joints de porte et d'empêcher la formation d'odeurs à l'intérieur de l'appareil.

Déplacer l'appareil

Si vous devez déplacer l'appareil, essayez de le maintenir en position verticale. En cas de nécessité absolue, vous pouvez le positionner sur l'arrière.

Joints

L'un des facteurs qui favorisent la formation d'odeurs dans le lave-vaisselle est la présence de résidus alimentaires dans les joints. Un nettoyage régulier des joints à l'aide d'une éponge humide permettra d'éviter ce phénomène.

CONSIGNES D'INSTALLATION

⚠ AVERTISSEMENT



Risque d'électrocution

Coupez l'électricité avant d'installer le lave-vaisselle.

Le non-respect de cette consigne peut entraîner un risque de décès ou d'électrocution.

⚠ Attention

Le raccordement des tuyaux et des équipements électriques doit être effectué par des professionnels.

À propos du raccordement électrique

⚠ AVERTISSEMENT

Pour votre sécurité :

- N'utilisez pas de rallonge ou d'adaptateur avec cet appareil.
- Quelles que soient les circonstances, veillez à ne jamais couper ou retirer les branchements de mise à la terre.

Alimentation électrique

Référez-vous à la plaque signalétique de l'appareil pour connaître la tension requise afin de brancher votre lave-vaisselle à une source d'alimentation adaptée. Utilisez le fusible requis 10A/13A/16A, le fusible temporisé

ou le disjoncteur recommandés et aménagez un circuit distinct réservé à cet appareil.

Raccordement électrique

Vérifiez que la tension et la fréquence de l'alimentation correspondent à la plaque signalétique. Veillez à ne brancher la prise au secteur qu'une fois la mise à la terre assurée. Si la prise électrique à laquelle l'appareil doit être branché n'est pas adaptée, remplacez-la plutôt que d'utiliser un adaptateur ou autre dispositif, lesquels pourraient entraîner une surchauffe et des brûlures.

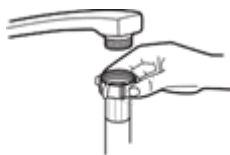
⚠ Assurez-vous de l'existence d'un branchement de mise à la terre approprié avant d'utiliser l'appareil

Arrivée d'eau et vidange

Raccordement à l'eau froide

Raccordez le tuyau d'arrivée d'eau froide à un raccord fileté 3/4 (pouces) et assurez-vous qu'il soit bien serré.

Si vos tuyaux d'eau sont neufs ou n'ont pas été utilisés pendant une durée importante, laissez d'abord couler l'eau pour vous assurer qu'elle soit claire. Cette précaution est nécessaire pour éviter le risque que l'arrivée d'eau soit bloquée et endommage l'appareil.



Tuyau d'arrivée d'eau ordinaire



Tuyau d'arrivée d'eau sécurisé

À propos du tuyau d'arrivée d'eau sécurisé

Le tuyau d'arrivée d'eau sécurisé a une double paroi. Ce système intervient en bloquant l'arrivée d'eau si le tuyau est endommagé ou que le sas d'air situé entre le tuyau d'arrivée d'eau et le flexible extérieur est rempli d'eau.



AVERTISSEMENT

Un tuyau fixé à un robinet peut exploser s'il est installé sur la même arrivée d'eau que le lave-vaisselle. Si votre évier en est équipé, nous vous recommandons de démonter le tuyau et d'obstruer l'ouverture.

Comment raccorder le tuyau d'arrivée d'eau sécurisé

1. Retirez les tuyaux d'arrivée d'eau sécurisés du compartiment de stockage situé à l'arrière du lave-vaisselle.
2. Vissez le tuyau d'arrivée d'eau sécurisé au robinet à l'aide d'un raccord fileté 3/4.
3. Ouvrez entièrement l'arrivée d'eau avant de démarrer le lave-vaisselle.

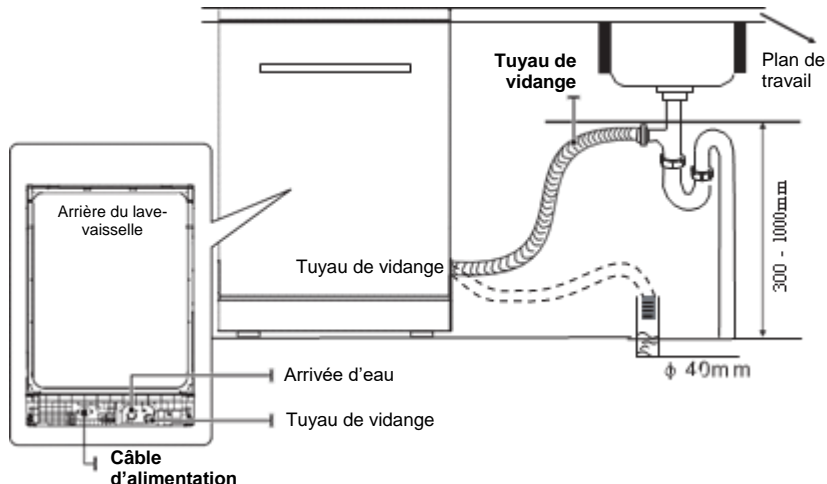
Comment démonter le tuyau d'arrivée d'eau sécurisé

1. Coupez l'eau.
2. Dévissez le tuyau d'arrivée d'eau sécurisé du robinet.

Raccordement du tuyau de vidange

Insérez le tuyau de vidange dans un conduit d'évacuation de diamètre 4 cm minimum, ou laissez-le couler dans l'évier en veillant à éviter de le plier ou de le pincer. La hauteur du tuyau de vidange doit être inférieure à 1 000 mm. Afin d'éviter tout refoulement, l'extrémité libre du tuyau ne doit pas être immergée dans l'eau.

⚠ Veuillez fixer le tuyau de vidange en position A ou B afin qu'il tienne bien en place



Comment évacuer l'excédent d'eau des tuyaux

Si le raccordement au tuyau de vidange est placé à une hauteur supérieure à 1 000 mm, un excès d'eau peut se former dans le tuyau de vidange. Il sera nécessaire d'évacuer l'excédent d'eau dans un bol ou un autre récipient adapté maintenu à l'extérieur et à un niveau inférieur à celui de l'évier.

Sortie d'eau

Raccordez le tuyau de vidange. Le tuyau de vidange doit être correctement installé pour éviter toute fuite d'eau. Assurez-vous que le tuyau de vidange n'est ni plié, ni écrasé.

Tuyau de rallonge

Si vous avez besoin d'un tuyau de rallonge pour la vidange, veuillez à bien utiliser un tuyau similaire.

Celui-ci ne doit pas excéder 4 mètres de longueur, à défaut de quoi la performance du lave-vaisselle pourrait être réduite.

Raccordement du siphon

Le raccordement à l'évacuation doit se situer à moins de 1 000 mm de hauteur (maximum) par rapport au bas du lave-vaisselle.

Positionnement de l'appareil

Installez l'appareil à l'emplacement souhaité. L'arrière de l'appareil doit être placé contre le mur, et les parois latérales contre les parois ou murs adjacents. Le lave-vaisselle est équipé de tuyaux d'arrivée d'eau et de vidange qui peuvent être positionnés aussi bien à gauche qu'à droite de l'appareil afin de faciliter son installation.

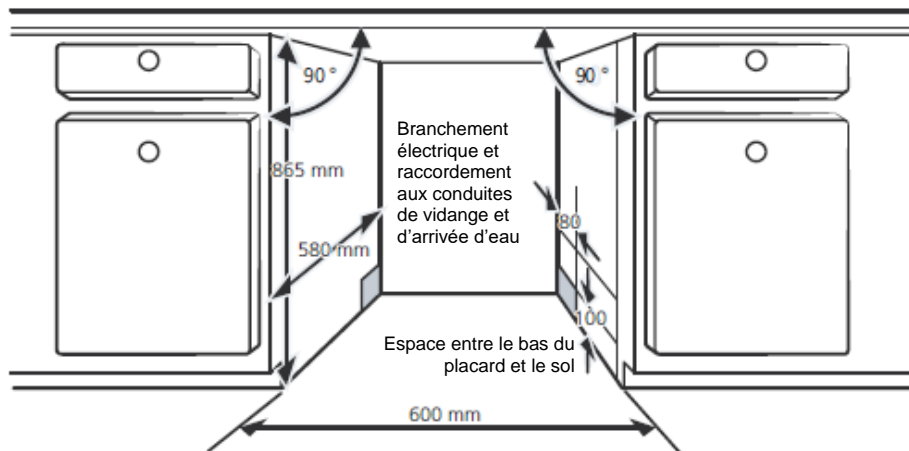
Encastrement (pour le modèle encastré)

Étape 1. Sélection de l'emplacement le plus adapté au lave-vaisselle

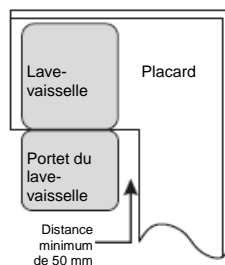
Le lave-vaisselle doit être installé à proximité des conduites d'arrivée et de vidange de l'eau existantes, ainsi que d'une prise électrique.

Illustrations des dimensions du lieu d'installation et de la position d'installation du lave-vaisselle.

1. Moins de 5 mm entre le haut du lave-vaisselle et le plan de travail ; paroi extérieure alignée sur les placards.



2. Si le lave-vaisselle est installé près d'un angle, prévoyez une distance de sécurité pour l'ouverture de la porte.



REMARQUE :

En fonction de l'emplacement de votre prise électrique, il est possible que vous deviez découper une ouverture dans la paroi latérale du placard adjacent.

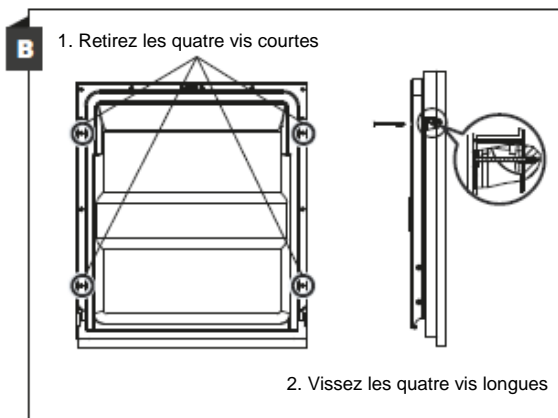
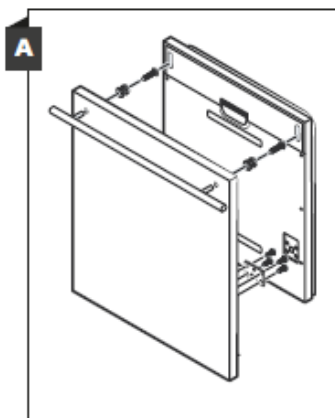
Étape 2. Dimensions et installation du panneau d'habillage



Suivez les consignes d'installation spécifiques pour fixer le panneau d'habillage de porte.

Modèle intégrable

Installez le crochet sur le panneau d'habillage (environ 5 à 9 kg) et insérez-le dans la fente de la porte extérieure du lave-vaisselle (cf. figure A). Après avoir positionné le panneau, fixez-le à la porte à l'aide des vis et des écrous (cf. figure B).

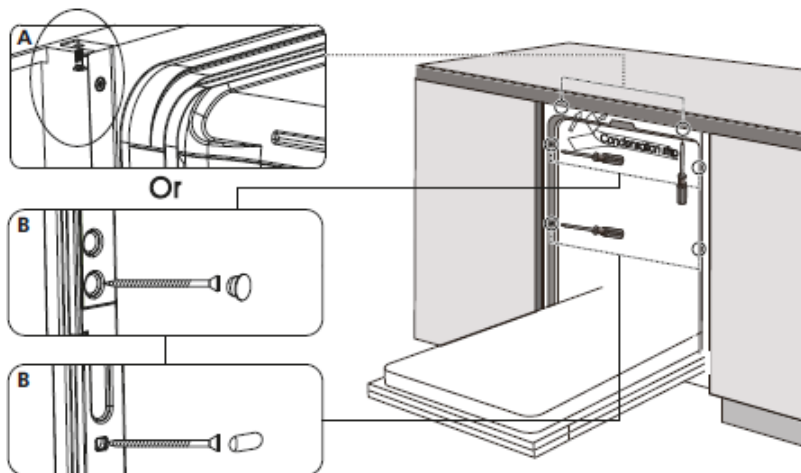


Étape 3. Étapes d'installation du lave-vaisselle



Veillez vous reporter aux étapes d'installation spécifiques indiquées sur les schémas d'installation.

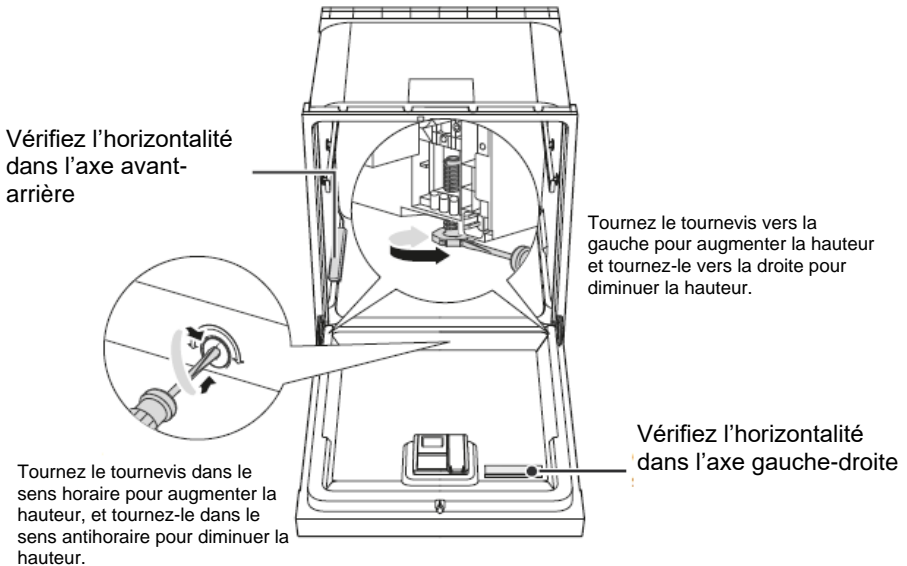
1. Installez le panneau d'habillage sur la porte extérieure du lave-vaisselle. (Étape 2 à Étape 5)
2. Réglez la tension des ressorts de porte à l'aide d'une clé Allen en tournant dans le sens des aiguilles d'une montre pour resserrer les ressorts de porte gauche et droite. Le non-respect de cette consigne pourrait endommager votre lave-vaisselle. (Étape 6)
3. Fixez la bande de condensation sous le plan de travail. Veillez à ce que la bande de condensation soit alignée sur le bord du plan de travail. (Étape 8)
4. Raccordez le tuyau d'arrivée d'eau au robinet d'arrivée d'eau froide. (Étape 6)
5. Raccordez le tuyau de vidange. (Étape 9)
6. Branchez le câble d'alimentation. (Étape 9)
7. Insérez le lave-vaisselle dans son emplacement. (Étape 10)
8. Mettez le lave-vaisselle à niveau. Vous pouvez régler le pied arrière depuis l'avant du lave-vaisselle en tournant la vis cruciforme située au milieu de la base du lave-vaisselle à l'aide d'un tournevis cruciforme. Pour ajuster le pied avant, tournez-le à l'aide d'un tournevis plat jusqu'à ce que le lave-vaisselle soit à niveau. (Étape 11)
9. Le lave-vaisselle doit être correctement fixé. En fonction de l'emplacement, vous pouvez choisir une fixation supérieure ou latérale. L'opération fixe est la suivante : (Étape 12)
 - A. Plan de travail normal : Insérez le crochet d'installation dans la fente du panneau latéral et fixez-le sur le plan de travail à l'aide de vis.
 - B. Plan de travail en marbre ou en granit : Fixez le panneau latéral à l'aide de vis.



Étape 4. Mise à niveau du lave-vaisselle

Le lave-vaisselle doit être mis à niveau afin d'assurer le bon fonctionnement des paniers à vaisselle et les performances de lavage.

1. Placez un niveau à bulle sur la porte et la glissière du panier à l'intérieur de la cuve, conformément à l'illustration, afin de vérifier que le lave-vaisselle est horizontal.
2. Mettez le lave-vaisselle à niveau en ajustant individuellement les trois pieds de réglage.
3. Lors de la mise à niveau, veillez à ce que le lave-vaisselle ne se renverse pas.



REMARQUE :

La hauteur de réglage maximum des pieds est de 50 mm.

GUIDE DE DÉPANNAGE

Avant de faire appel à un technicien

Vous référer aux tableaux suivants peut vous éviter de devoir appeler un technicien.

Problème	Causes possibles	Que faire ?
Le lave-vaisselle ne démarre pas	Un fusible ou le disjoncteur a sauté.	Changez le fusible ou rétablissez le disjoncteur. Débranchez tous les autres appareils électriques branchés sur le même circuit que votre lave-vaisselle.
	L'appareil n'est pas sous tension.	Vérifiez que le lave-vaisselle est sous tension et que la porte est bien fermée. Vérifiez que le câble d'alimentation est bien branché à la prise secteur.
	La pression de l'eau est faible	Vérifiez que l'arrivée d'eau est bien raccordée et que le robinet est ouvert.
	La porte du lave-vaisselle n'est pas bien fermée.	Assurez-vous de bien fermer la porte et de bien fermer le loquet.
Le lave-vaisselle ne pompe pas d'eau	Le tuyau de vidange est tordu ou coincé.	Vérifiez l'état du tuyau de vidange
	Le filtre est bouché.	Vérifiez le système de filtration.
	L'évier est bouché.	Vérifiez l'état de l'évier de votre cuisine afin de vous assurer qu'il n'est pas bouché. Si l'eau de votre évier ne s'évacue pas correctement, il est probable que vous deviez faire appel à un plombier plutôt qu'à un technicien spécialisé dans les lave-vaisselle.
Mousse dans la cuve	Le détergent n'est pas adapté.	Utilisez uniquement du détergent spécial lave-vaisselle pour éviter la mousse. Le cas échéant, ouvrez le lave-vaisselle et laissez la mousse s'évaporer. Ajoutez 1 litre d'eau froide dans le fond du lave-vaisselle. Fermez la porte du lave-vaisselle, puis sélectionnez n'importe quel cycle. Le lave-vaisselle commence par vidanger l'eau. Ouvrez la porte une fois la vidange terminée et vérifiez que la mousse a bien disparu. Renouvelez l'opération si nécessaire.

Problème	Causes possibles	Que faire ?
	Du produit de rinçage a été renversé.	Nettoyez toujours immédiatement le produit de rinçage renversé.
Intérieur de la cuve taché	Du détergent contenant du colorant a été utilisé.	Vérifiez que le détergent utilisé ne comporte aucun colorant.
Pellicule blanche sur les surfaces internes	Il s'agit de minéraux présents dans l'eau dure.	Pour nettoyer l'intérieur, utilisez un chiffon doux et humide avec du détergent pour lave-vaisselle et veillez à porter des gants en caoutchouc. N'utilisez jamais d'autres produits que ceux qui sont destinés aux lave-vaisselle afin d'éviter tout risque de formation de mousse.
Taches de rouille sur les couverts	Les couverts tachés ne sont pas résistants à la corrosion.	Évitez de placer dans le lave-vaisselle des couverts qui ne résistent pas à la corrosion.
	Aucun programme n'a été lancé après l'ajout du sel pour lave-vaisselle. Des traces de sel se sont mêlées au cycle de lavage.	Lancez toujours un programme de lavage à vide après avoir ajouté du sel. Ne sélectionnez pas la fonction Turbo (si celle-ci est disponible) après avoir ajouté du sel.
	Le couvercle de l'adoucisseur n'est pas bien fermé.	Vérifiez que le couvercle de l'adoucisseur est bien fermé.
Bruits de choc dans le lave-vaisselle	Un des bras d'aspersion se heurte contre l'un des ustensiles présents dans le panier situé en-dessous.	Mettez le programme en pause et réorganisez les ustensiles qui bloquent le bras d'aspersion.
Cliquetis dans le lave-vaisselle	Des couverts ont été renversés dans le lave-vaisselle.	Mettez le programme en pause et réorganisez la disposition de vos couverts.
Bruits de choc dans les conduits d'eau	Ceci peut être dû à l'installation sur place ou aux sections des conduits.	Ceci n'a aucun impact sur la performance du lave-vaisselle. Si vous avez des doutes, faites appel à un plombier qualifié.
La vaisselle n'est pas propre	La vaisselle n'a pas été correctement placée dans le lave-vaisselle.	Reportez-vous à la PARTIE II « Préparation et chargement de la vaisselle ».
	Le programme choisi n'était pas assez puissant.	Sélectionnez un programme plus intensif.

Problème	Causes possibles	Que faire ?
La vaisselle n'est pas propre.	La quantité de détergent n'était pas suffisante.	Ajoutez plus de détergent ou changez de détergent.
	Des ustensiles bloquent la course des bras d'aspersion.	Réorganisez la disposition de vos ustensiles afin que les bras d'aspersion puissent tourner librement.
	Le dispositif de filtration n'est pas propre ou n'est pas correctement fixé à la base du lave-vaisselle. Ceci peut entraîner l'obstruction des buses des bras d'aspersion.	Nettoyez et/ou remplacez correctement le dispositif de filtration. Nettoyez les bras d'aspersion.
Verres troubles.	Association d'une eau douce avec trop de détergent.	Utilisez moins de détergent si vous avez une eau douce, et sélectionnez un cycle plus court pour laver les verres et les rendre plus propres.
Taches blanches sur les ustensiles et les verres.	Une eau dure peut entraîner des dépôts de calcaire.	Vérifiez les réglages de l'adoucisseur d'eau ou l'état de remplissage du réservoir de sel.
Traces noires ou grises sur la vaisselle	Des ustensiles en aluminium ont frotté contre votre vaisselle	Nettoyez la vaisselle à l'aide d'un produit abrasif doux pour éliminer les traces.
Résidu de détergent dans le bac	Des ustensiles bloquent le bac à détergent	Réorganisez la disposition de votre vaisselle.
La vaisselle n'est pas sèche	Mauvaise disposition des ustensiles	Utilisez des gants si vous trouvez des résidus de détergent sur la vaisselle pour éviter les irritations cutanées.
	La vaisselle a été sortie trop tôt	Ne videz pas votre lave-vaisselle immédiatement après le cycle de lavage. Ouvrez légèrement la porte pour que la vapeur puisse s'échapper. Attendez que la température intérieure du lave-vaisselle ait suffisamment baissé pour retirer la vaisselle. Videz en priorité le panier du bas afin d'éviter que l'eau du panier du haut ne coule dessus.

Problème	Causes possibles	Que faire ?
La vaisselle n'est pas sèche	Le programme choisi n'était pas adapté.	Avec un programme court, la température de lavage est moins importante, ce qui réduit la performance de lavage. Choisissez un programme de longue durée.
	Les couverts présentent un revêtement de mauvaise qualité.	L'évacuation de l'eau est plus difficile sur les revêtements de mauvaise qualité. Les couverts ou plats de ce type ne sont pas adaptés au lavage en lave-vaisselle.



AVERTISSEMENT

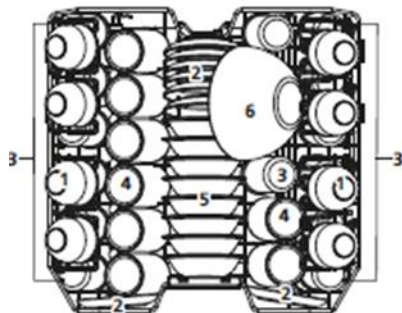
La réparation par soi-même ou non effectuée par un professionnel peut entraîner des risques graves pour la sécurité de l'utilisateur de l'appareil et avoir une incidence sur la garantie.

REPLISSAGE DES PANIERS

SELON LA NORME EN60436 :

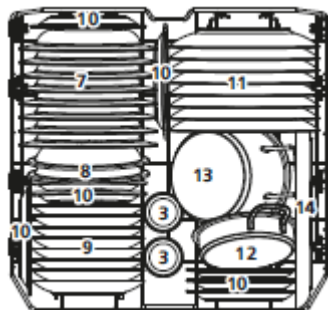
Charger le lave-vaisselle à pleine capacité contribue à des économies d'énergie et d'eau.

1. Panier du haut :



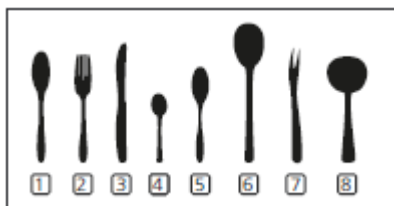
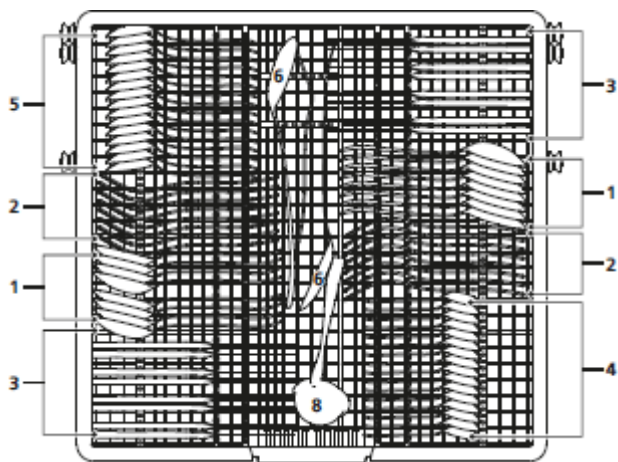
Numéro	Type de vaisselle
1	Tasses
2	Soucoupes
3	Verres
4	Grandes tasses
5	Bols à dessert
6	Bols en verre

2. Panier du bas :



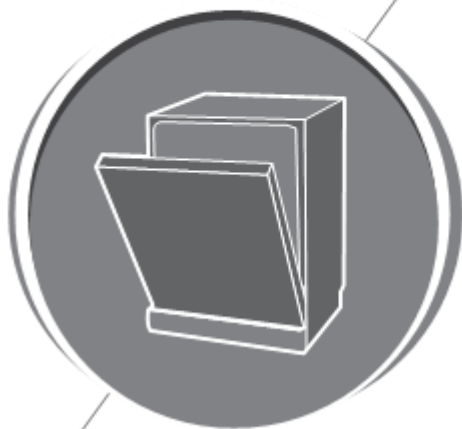
Numéro	Type de vaisselle
7	Assiettes creuses
8	Bols en mélamine
9	Assiettes à dessert
10	Assiettes à dessert en mélamine
11	Assiettes plates
12	Petites casseroles
13	Plat à four
14	Plateaux ovales

3.Tiroir à couverts :



Numéro	Type de vaisselle
1	Cuillères à soupe
2	Fourchettes
3	Couteaux
4	Cuillères à café
5	Cuillères à dessert
6	Cuillères à service
7	Fourchettes à service
8	Louches

Informations sur les tests de comparaison
conformément à la norme EN60436
Capacité : 16 couverts
Position du panier du haut : basse
Programme : ECO
Réglage du produit de rinçage : Max
Réglage de l'adoucisseur : H3



Lave-vaisselle

Mode d'emploi

PARTIE II : Consignes spéciales

DCJ632DQX



Veillez lire attentivement ce mode d'emploi avant d'utiliser votre lave-vaisselle. Conservez-le pour pouvoir vous y référer ultérieurement.

TABLE DES MATIÈRES

	4	UTILISATION DE VOTRE LAVE-VAISSELLE
	4	Bandeau de commande
	8	Adoucisseur d'eau
01	9	Préparation et chargement de la vaisselle
	12	Fonction du produit de rinçage et du détergent
	13	Remplissage du bac à produit de rinçage
	14	Remplissage du bac à détergent
	15	CHOIX DU PROGRAMME
	15	Tableau des programmes
02	16	Économies d'énergie
	16	Lancement d'un programme
	17	Comment changer de programme en cours de cycle
	18	Oubli d'un plat
	18	Ouverture automatique
03	19	CODES D'ERREUR
04	20	INFORMATIONS TECHNIQUES

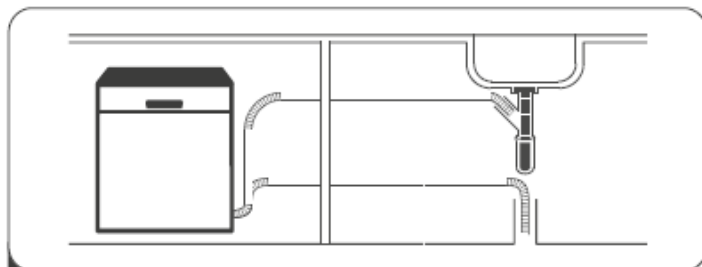


REMARQUE :

- Si vous ne pouvez pas remédier vous-même au problème, faites appel à un technicien professionnel.
- Conformément à sa politique d'évolution et de mise à jour constantes du produit, le fabricant est susceptible d'y apporter des modifications sans préavis.

GUIDE DE PRISE EN MAIN

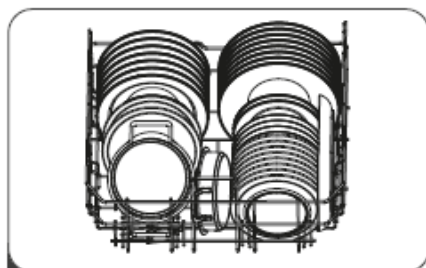
Pour en savoir plus sur le fonctionnement de l'appareil, veuillez lire la section correspondante du mode d'emploi.



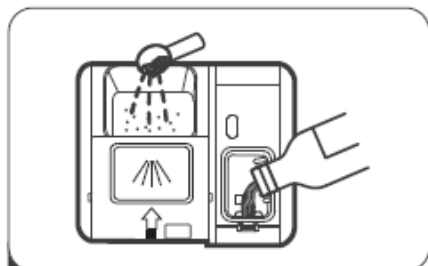
- 1** Installez le lave-vaisselle
(Veuillez vous reporter à la section 5 « CONSIGNES D'INSTALLATION » de la PARTIE I : Consignes générales)



- 2** Retirez les plus gros débris de la vaisselle.
Ne faites pas de pré-rinçage.



- 3** Remplissez les paniers.



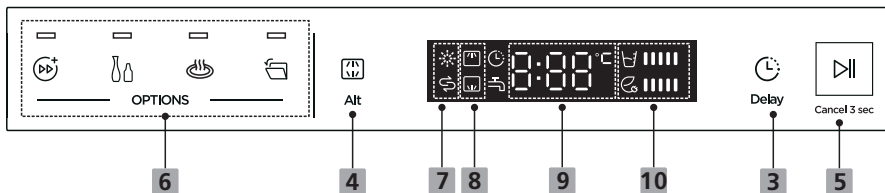
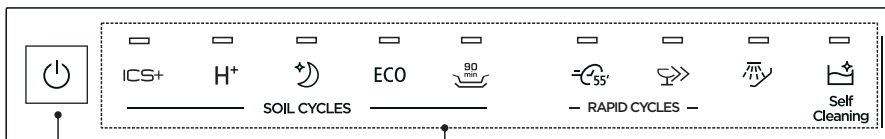
- 4** Remplissez les bacs à détergent et à produit de rinçage.



- 5** Sélectionnez un programme adapté et mettez le lave-vaisselle en route.

UTILISATION DE VOTRE LAVE-VAISSELLE

Bandeau de commande



Fonction (Bouton)

1 Marche/Arrêt

Appuyez sur ce bouton pour allumer votre lave-vaisselle. L'écran s'allume.

2 Programme

ICS+

Ce programme est contrôlé par des capteurs et s'adapte au degré de saleté. Il convient à tous les types de vaisselle.

H+











Hygiène 72°

Ce programme convient à tous les types de vaisselle et à tous les degrés de saleté. Il fournit la température de lavage la plus élevée pour la désinfection de la vaisselle.









+)

Silence

Ce programme convient aux verres et à la vaisselle dont le degré de saleté est normal. Il fonctionne plus silencieusement et peut être utilisé le soir ou la nuit.

<p>2 Programme</p>	<p>ECO ECO Ce programme standard convient à la vaisselle présentant un degré de saleté normal. Il s'agit du programme le plus efficace en termes de consommation d'énergie et d'eau.</p> <p> 90 min Pour la vaisselle présentant un degré de saleté normal et nécessitant un lavage et un séchage rapides.</p> <p> Lavage et séchage 55 min Pour la vaisselle présentant un degré de saleté normal et nécessitant un lavage et un séchage rapides.</p> <p> Lavage rapide 35 min Ce programme offre le lavage le plus court pour la vaisselle légèrement sale qui ne nécessite pas de séchage.</p> <p> Pré-lavage Il s'agit d'un programme de rinçage uniquement destiné à détacher les particules de saleté sur la vaisselle pour un lavage ultérieur.</p> <p> Nettoyage auto Ce programme permet de nettoyer efficacement l'appareil à vide.</p>
<p>3 Départ différé</p>	<p>Appuyez sur le bouton pour retarder l'heure de démarrage d'un programme de jusqu'à 24 heures par incréments d'une heure. Lorsqu'il est activé, le voyant () s'allume.</p>
<p>4 Alt</p>	<p>Appuyez sur le bouton pour sélectionner un lavage uniquement du panier du haut ou du bas ou pour les deux. Les voyants ( ) s'allument.</p>
<p>5 Départ/Pause</p>	<p>Appuyez sur ce bouton pour démarrer le programme de lavage sélectionné ou mettre le programme en pause.</p>
<p>6 Option</p>	<p> Turbo vitesse+ Avec cette option, le temps de fonctionnement sera réduit de 15 % à 50 %, en fonction de l'augmentation de la température et de la vitesse de rotation du moteur. Elle ne peut pas être sélectionnée en même temps que les programmes Auto, Lavage rapide 35 min et Pré-lavage. Si elle est combinée à l'ouverture automatique, le lavage automatique ne peut pas non plus être activé.</p> <p> Jet de lavage Cette option peut être utilisée pour le nettoyage des bouteilles placées dans la zone dédiée du panier du haut. Cette option ne peut pas être sélectionnée en même temps que les programmes Auto, Lavage et séchage 55 min, Pré-lavage et Nettoyage auto.</p>

Affichage

6 Option	 <p>Extra séchage Cette option permet d'augmenter la température du dernier rinçage et d'allonger le temps de séchage pour en améliorer l'effet. Elle ne peut être sélectionnée qu'en même temps que les programmes ECO, Hygiène 72°, Silence et 90 min.</p>  <p>Ouverture automatique La porte du lave-vaisselle s'ouvre automatiquement à la fin du programme pour améliorer le résultat du séchage. L'ouverture automatique est activée par défaut en usine. Si ce réglage est désactivé, ce choix reste valable même lorsque le lave-vaisselle est arrêté. Cette option ne peut pas être sélectionnée en même temps que les programmes Lavage rapide 35 min, Pré-lavage et Nettoyage auto.</p>
7 Voyants d'alerte	 <p>Produit de rinçage Si le voyant « ❄ » est allumé, cela signifie que le niveau de produit de rinçage du lave-vaisselle est bas et qu'il faut en ajouter.</p>  <p>Sel Si le voyant « 🧂 » est allumé, cela signifie que le niveau de sel du lave-vaisselle est bas et qu'il faut en ajouter.</p>  <p>Robinet Si le voyant « 🚰 » est allumé, cela signifie que le robinet d'eau est fermé.</p>
8 Autres voyants	 <p>Lavage du panier du haut uniquement Lorsque vous sélectionnez Haut, seule la vaisselle du panier du haut sera lavée. Le système d'aspersion du panier du bas ne fonctionne pas.</p>  <p>Lavage du panier du bas uniquement Lorsque vous sélectionnez Bas, seule la vaisselle du panier du bas sera lavée. Le système d'aspersion du panier du haut ne fonctionne pas.</p>  <p>Lavage simultané du panier du haut ou du bas Lorsque vous sélectionnez les deux, la vaisselle du panier du haut et du panier du bas sera lavée. Le système d'aspersion du panier du haut ou du bas fonctionnera alternativement ou les deux.</p>

Affichage

9 Écran



Affichage de la durée restante du programme, de la température de lavage, de la durée pour le départ différé, des codes d'erreur, etc.

10 Indicateur de consommation



Niveau de consommation d'eau

L'indicateur de consommation d'eau indique le niveau de consommation d'eau d'un programme sélectionné. Plus le nombre de barres affichées est élevé, plus la consommation d'eau est importante.



Consommation d'énergie

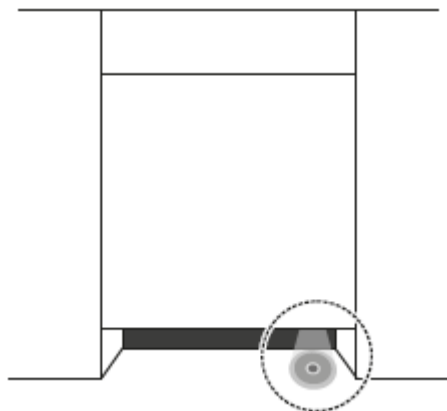
L'indicateur de consommation d'énergie indique le niveau de consommation d'énergie d'un programme sélectionné. Plus le nombre de barres affichées est élevé, plus la consommation d'énergie est importante.



REMARQUE :

Fonctionnement du témoin lumineux

Le témoin lumineux s'allume pendant le programme de lavage, puis clignote pendant 5 minutes et s'éteint à la fin du programme.



Adoucisseur d'eau

L'adoucisseur d'eau doit être réglé manuellement à l'aide de la molette de sélection de la dureté de l'eau.

L'adoucisseur d'eau est conçu pour éliminer de l'eau les minéraux et les sels susceptibles d'altérer le bon fonctionnement de l'appareil.

Plus il y a de minéraux, plus votre eau est dure. Si le lave-vaisselle est utilisé avec de l'eau dure, des dépôts se formeront sur votre vaisselle.

L'adoucisseur doit être réglé en fonction de la dureté de l'eau de votre région. Prenez contact avec votre compagnie des eaux locale pour obtenir des informations sur la dureté de l'eau dans votre région.



REMARQUE :

Si votre lave-vaisselle n'est pas équipé d'un adoucisseur d'eau, vous pouvez sauter cette rubrique.

Réglage de la consommation en sel

Ce lave-vaisselle est conçu pour permettre de régler la quantité de sel consommée en fonction de la dureté de l'eau utilisée. Cette fonction est destinée à optimiser et à personnaliser le niveau de consommation en sel.

Le lave-vaisselle doit être adapté à la dureté de l'eau dans votre région. Cela aura une incidence sur la consommation de sel pour lave-vaisselle.

Pour ajuster le réglage de l'adoucisseur d'eau, suivez les étapes ci-dessous :

1. Ouvrez la porte et allumez l'appareil.
2. Dans les 60 secondes qui suivent la mise en marche de l'appareil, appuyez sur le bouton de nettoyage automatique pendant plus de 5 secondes pour accéder au mode de réglage de l'adoucisseur d'eau.
3. Appuyez à nouveau sur le bouton de nettoyage automatique pour sélectionner le réglage correspondant à la dureté de l'eau de votre région. Les paramètres défilent dans l'ordre suivant :
H1->H2->H3->H4->H5->H6 ;
4. Appuyez sur le bouton Marche/Arrêt pour enregistrer le réglage et sortir du mode de réglage.

DURETÉ DE L'EAU				Niveau de l'adoucisseur d'eau	La régénération se produit toutes les X séquences de programme ¹⁾	Consommation de sel (gramme/cycle)
°dH (Allemagne)	°fH (France)	°Clarke (Royaume-Uni)	mmol/l			
0 - 5	0 - 9	0 - 6	0 - 0,94	H1	Pas de régénération	0
6 - 11	10 - 20	7 - 14	1,0 - 2,0	H2	10	9
12 - 17	21 - 30	15 - 21	2,1 - 3,0	H3	5	12
18 - 22	31 - 40	22 - 28	3,1 - 4,0	H4	3	20
23 - 34	41 - 60	29 - 42	4,1 - 6,0	H5	2	30
35 - 55	61 - 98	43 - 69	6,1 - 9,8	H6	1	60

Le réglage en usine est H3.

- 1) Chaque cycle avec une opération de régénération consomme 3,0 litres d'eau supplémentaires, la consommation d'énergie augmente de 0,02 kWh et le programme se prolonge de 4 minutes.



Veillez vous reporter à la section 3 « Ajout de sel dans l'adoucisseur » de la PARTIE I : Consignes générales, si votre lave-vaisselle manque de sel.

Préparation et chargement de la vaisselle

- Pensez à acheter de la vaisselle et des ustensiles qui passent au lave-vaisselle.
- Pour les objets fragiles, sélectionnez un programme fonctionnant à la température la plus basse possible.
- Ne sortez pas vos verres et vos couverts du lave-vaisselle immédiatement après la fin du programme afin d'éviter tout risque d'endommagement.

Ce lave-vaisselle est conçu pour laver et sécher la vaisselle et les ustensiles de cuisine courants. Cependant, tous les objets ne peuvent pas être lavés dans le lave-vaisselle.

Les objets suivants ne conviennent pas et risquent d'être endommagés pendant le lavage :

- Couverts en bois, en porcelaine ou en nacre.
- Objets en plastique qui ne résistent pas à la chaleur.
- Couverts anciens dotés d'éléments collés qui ne résistent pas à la chaleur.
- Couverts ou plats avec colle.
- Objets en étain ou en cuivre.
- Verres en cristal.
- Objets en acier pouvant rouiller.
- Plateaux en bois.
- Objets fabriqués en fibres synthétiques.

Veillez prendre note des points suivants :

- Certains types de verres peuvent se ternir après un certain nombre de lavages.
- Les éléments en argent et en aluminium ont tendance à se décolorer au lavage.
- Les motifs vernis peuvent s'estomper s'ils sont fréquemment lavés au lave-vaisselle.

Recommandations pour le remplissage du lave-vaisselle

Retirez le gros des aliments restant sur les plats et les couverts. Ramollissez les restes d'aliments brûlés dans les casseroles, les poêles et les cocottes. Il n'est pas nécessaire de rincer vos plats et assiettes au préalable.

Pour garantir une performance optimale du lave-vaisselle, respectez les consignes suivantes.

(Les fonctionnalités et l'apparence des paniers et du panier à couverts peuvent varier selon les modèles.)

- Les objets tels que les tasses, verres, casseroles, poêles, etc. doivent être retournés.
- Les objets incurvés ou présentant des renforcements doivent être inclinés de manière à ce que l'eau puisse s'en écouler.
- Tous les objets doivent être placés de manière sûre afin qu'ils ne puissent pas se renverser.
- Tous les objets doivent être placés à manière à laisser assez d'espace pour que les bras d'aspersion puissent tourner librement. Vérifiez la rotation des bras d'aspersion avant de lancer un programme.
- Les plats et les couverts ne doivent pas être empilés les uns dans les autres ni se recouvrir.
- Évitez que les couverts s'emboîtent les uns dans les autres ou qu'ils se recouvrent les uns les autres afin que l'eau puisse atteindre toutes les zones.
- Le panier du haut est destiné à la vaisselle plus délicate et plus légère, telle que les verres et les tasses.
- Les couteaux pointus ou à lame longue représentent un danger si leur pointe est orientée vers le haut.
- Les couverts longs et tranchants tels que les couteaux à découper sont à placer à l'horizontale dans le panier du haut.
- Ne surchargez pas le lave-vaisselle. Vous obtiendrez ainsi de bons résultats et optimiserez votre consommation d'énergie.



REMARQUE :

Évitez de laver les éléments très petits au lave-vaisselle, car ils peuvent facilement tomber des paniers.

Retrait de la vaisselle

Afin d'éviter que de l'eau du panier du haut ne s'écoule dans le panier du bas, nous vous recommandons de vider d'abord le panier du bas.



AVERTISSEMENT



La vaisselle peut être très chaude ! Pour éviter tout dommage, laissez refroidir les verres ou les objets délicats dans les paniers du lave-vaisselle avant de les retirer.

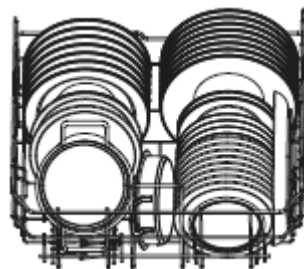
Remplissage du panier du haut

Le panier du haut est destiné aux objets plus délicats et plus légers, tels que les verres, les tasses, les soucoupes, les assiettes, les petits bols et les poêles et casseroles peu profondes. Placez les plats et les ustensiles de cuisine de façon à ce qu'ils ne soient pas déplacés par le jet d'eau.



Remplissage du panier du bas

Nous vous recommandons de placer les objets les plus grands et les plus difficiles à nettoyer dans le panier du bas : casseroles, poêles, couvercles, plats de service et bols, comme illustré ci-dessous. Il est préférable de placer vos plats et couvercles de service sur le côté du panier afin d'éviter de bloquer la rotation du bras d'aspersion supérieur.



Remplissage du tiroir à couverts

Les couverts doivent être placés dans le tiroir à couverts séparément les uns des autres, dans les positions appropriées. Évitez d'emboîter les couverts pour ne pas réduire l'efficacité du lavage.



Pour des résultats optimaux de nettoyage et de séchage, veuillez vous reporter aux options de chargement standard dans la dernière section de la PARTIE I : Consignes générales

Fonction du détergent et du produit de rinçage

Fonction du détergent

Les ingrédients chimiques qui composent les détergents pour lave-vaisselle sont nécessaires pour éliminer, décomposer et évacuer les saletés du lave-vaisselle. La majorité des détergents de qualité commerciale conviennent à cette fin.

AVERTISSEMENT

- N'utilisez que des détergents spécifiquement conçus pour les lave-vaisselle. Votre détergent doit toujours être maintenu frais et sec.
- Ne remplissez pas le bac de détergent avant d'être prêt à démarrer le lave-vaisselle.



**Les détergents pour lave-vaisselle sont corrosifs !
Maintenez le détergent pour lave-vaisselle hors de portée des enfants.**

Fonction du produit de rinçage

Le produit de rinçage est libéré lors de la phase de rinçage final afin d'éviter que l'eau ne forme des gouttelettes sur vos ustensiles et qu'elle n'y laisse des traces. Il améliore également le séchage en permettant à l'eau de s'écouler de votre vaisselle. Votre lave-vaisselle est conçu pour fonctionner avec du produit de rinçage liquide.

AVERTISSEMENT

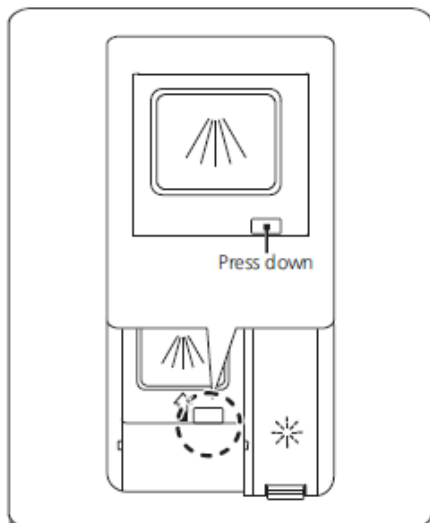
Ne versez jamais d'autres substances dans le bac à produit de rinçage (ex : produit de nettoyage de lave-vaisselle, détergent liquide). Ceci endommagerait votre appareil.

Quand remettre du produit de rinçage dans le bac ?

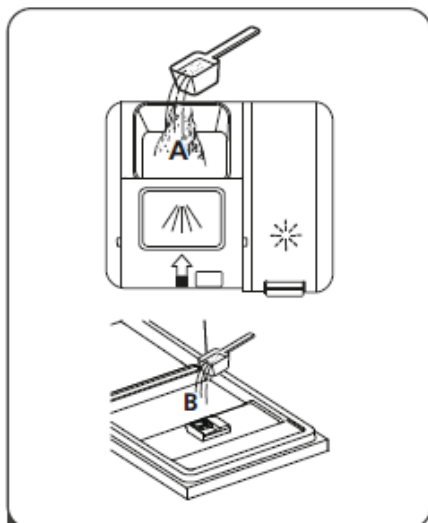
La quasi-totalité des programmes utilise un produit de rinçage lors du rinçage final. En fonction de la fréquence d'utilisation et du réglage du produit de rinçage, il peut être nécessaire de procéder à un remplissage du bac.

L'indicateur de niveau faible de produit de rinçage (✱) s'allume quand il faut le remplir. Ne remplissez pas le bac à produit de rinçage au-delà de la limite.

Remplissage du bac à détergent

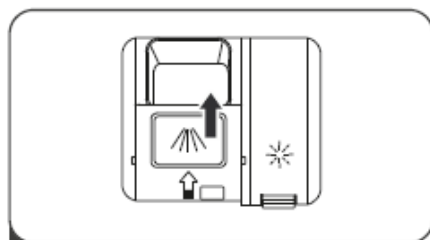


- 1** Ouvrez le couvercle en appuyant sur le loquet d'ouverture.



- 2** Ajoutez du détergent dans le bac à détergent (A) pour la phase de lavage principal.

Pour des performances de nettoyage optimales, surtout si votre vaisselle est très sale, versez une petite quantité de détergent sur la porte (B). Le détergent supplémentaire s'activera en phase de pré-lavage.



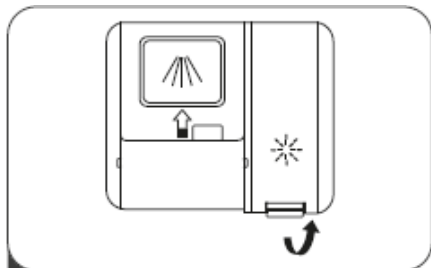
- 3** Fermez le couvercle du bac en le faisant glisser vers le bas jusqu'à ce qu'il soit verrouillé.



REMARQUE :

- Veuillez observer les recommandations du fabricant indiquées sur l'emballage de votre détergent.

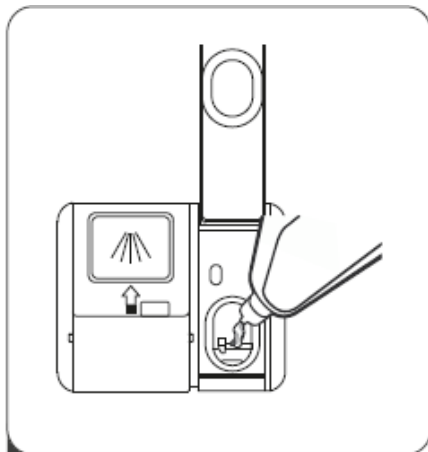
Remplissage du bac à produit de rinçage



- 1 Ouvrez le couvercle du bac à produit de rinçage en soulevant la poignée.



- 3 Fermez correctement le couvercle après avoir rempli le bac.



- 2 Versez lentement le produit de rinçage dans le bac, en évitant de trop le remplir. Tout produit de rinçage renversé doit être essuyé à l'aide d'un chiffon.

Réglage du produit de rinçage

La quantité de produit de rinçage distribuée lors du rinçage final peut être réglée comme suit :

1. Ouvrez la porte et allumez l'appareil.
2. Dans les 60 secondes qui suivent la mise en marche de l'appareil, appuyez sur le bouton Nettoyage auto pendant plus de 5 secondes, puis sur le bouton Départ différé pour accéder au mode de réglage du produit de rinçage. Le voyant du produit de rinçage se met à clignoter.
3. Appuyez à nouveau sur le bouton Nettoyage auto pour sélectionner le réglage en fonction de vos besoins.

Les paramètres défilent dans l'ordre suivant : D1->D2->D3->D4->D5->D1.

Plus le chiffre est élevé, plus le lave-vaisselle utilise de produit de rinçage.

Le réglage en usine est D3.



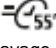
4. Une fois le réglage souhaité atteint, attendez 5 secondes ou appuyez sur le bouton Marche/Arrêt pour enregistrer le paramètre sélectionné et quitter le mode de réglage.




CHOIX DU PROGRAMME

Tableau des programmes

Le tableau présente diverses informations relatives aux programmes.

Les valeurs de consommation et la durée du programme sont données à titre indicatif, sauf pour le programme ECO. (●) indique que le programme utilise le produit de rinçage lors du dernier rinçage.

Programme	Description du cycle	Détergent Pré-lavage/Lavage principal	Durée (min)	Consommation énergétique (kWh)	Eau (L)	Produit de rinçage
ICS+ ICS+	Pré-lavage (45°C) Lavage (55-65°C) Rinçage Rinçage (50-60°C) Séchage	$\frac{5/19 \text{ g}}{(1 \text{ ou } 2 \text{ tablettes})}$	102-175	0,930-1,470	10,3-16,9	●
H+ Hygiène 72°	Pré-lavage Lavage (72°C) Rinçage Rinçage (72°C) Séchage	$\frac{5/19 \text{ g}}{(1 \text{ ou } 2 \text{ tablettes})}$	225	1,925	16,7	●
 Silence	Pré-lavage Lavage (60°C) Rinçage Rinçage (50°C) Séchage	$\frac{5/19 \text{ g}}{(1 \text{ ou } 2 \text{ tablettes})}$	230	1,330	16,7	●
ECO (*EN60436)	Lavage (50°C) Rinçage Rinçage (45°C) Séchage	$\frac{24 \text{ g}}{(1 \text{ ou } 2 \text{ tablettes})}$	205	0,769	9,5	●
 90 min	Pré-lavage Lavage (0) Rinçage Rinçage (50) Séchage	$\frac{5/19 \text{ g}}{(1 \text{ ou } 2 \text{ tablettes})}$	90	0,940	13,6	●
 Lavage et séchage 55 min	Lavage (60°C) Rinçage Rinçage (50°C) Séchage	$\frac{24 \text{ g}}{(1 \text{ tablette})}$	55	0,795	11,3	●

Programme	Description du cycle	Détergent Pré-lavage/Lavage principal	Durée (min)	Consommation énergétique (kWh)	Eau (L)	Produit de rinçage
 Lavage rapide 35 min	Lavage (55°C) Rinçage Rinçage (45°C)	$\frac{18 \text{ g}}{(1 \text{ tablette})}$	35	0,690	11,3	○
 Pré-lavage	Pré-lavage	/	14	0,120	3,9	○
 Nettoyage auto	Lavage (70°C) Rinçage Rinçage (55°C)	$\frac{24 \text{ g}}{(1 \text{ tablette})}$	115	1,245	11,7	●



REMARQUE :

ECO : Le programme ECO est adapté au nettoyage de la vaisselle normalement sale. Pour cet usage, il s'agit du programme le plus efficace en termes de consommation combinée d'énergie et d'eau, ce qui le rend conforme à la législation européenne sur l'éco-conception.
(*EN60436)

Durée de fonctionnement de l'ouverture automatique

Option	Durée (min)								
	Programme ICS+	Hygiène 72*	Silence	ECO	90 min	Lavage et séchage 55 min	Lavage rapide 35 min	Pré-lavage	Nettoyage auto
Avec ouverture automatique	102-175	225	230	205	90	55	/	/	/
Sans ouverture automatique	121-189	239	264	220	90	55	35	14	115

REMARQUE : L'option d'ouverture automatique ne peut pas être sélectionnée en même temps que les programmes Lavage rapide 35 min, Pré-lavage et Nettoyage auto.

Économies d'énergie

1. Le pré-rinçage de la vaisselle entraîne une augmentation de la consommation d'eau et d'énergie et n'est pas recommandé.
2. Le lavage de la vaisselle dans un lave-vaisselle à usage domestique consomme généralement moins d'énergie et d'eau en phase d'utilisation que le lavage à la main lorsque le lave-vaisselle est utilisé conformément aux instructions.

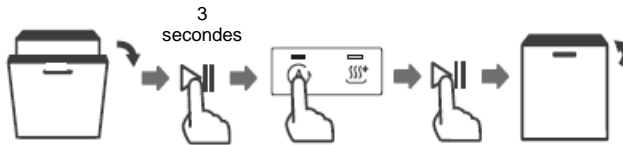
Lancement d'un programme

1. Tirez vers vous les paniers du haut et du bas, placez-y votre vaisselle, puis poussez les paniers à l'intérieur.
2. Ajoutez le détergent dans le bac.
3. Branchez l'appareil.
Assurez-vous que l'arrivée d'eau est ouverte de manière à être dans la bonne plage de pression.
4. Ouvrez la porte, appuyez sur le bouton Marche/Arrêt.
5. Choisissez un programme, puis appuyez sur le bouton Marche. Refermez la porte. Le lave-vaisselle démarre le programme.

Comment changer de programme en cours de cycle

Un programme ne peut être modifié que s'il a fonctionné pendant une courte période, sinon le détergent peut avoir déjà été libéré ou l'eau de lavage contenant le détergent a déjà été vidangée. Si tel est le cas, vous devez réinitialiser le lave-vaisselle et remplir à nouveau le bac à détergent. Pour réinitialiser le lave-vaisselle, suivez les consignes ci-dessous :

1. Entrouvrez la porte pour mettre le cycle en pause. Une fois les bras d'aspersion à l'arrêt complet, vous pouvez ouvrir la porte entièrement.
2. Appuyez sur le bouton Marche/Arrêt pendant plus de trois secondes pour mettre le lave-vaisselle en mode de sélection du programme.
3. Vous pouvez changer de programme en sélectionnant le cycle souhaité.
4. Appuyez sur le bouton Marche/Arrêt, puis fermez la porte, le lave-vaisselle se remettra en marche.



Oubli d'un plat

Vous pouvez rajouter de la vaisselle à tout moment avant l'ouverture du bac à détergent. Pour ce faire, suivez les consignes ci-dessous :

1. Entrouvrez la porte pour arrêter le lavage.
2. Une fois les bras d'aspersion à l'arrêt complet, vous pouvez ouvrir la porte entièrement.
3. Placez la vaisselle oubliée dans l'appareil.
4. Fermez la porte.
5. Le lave-vaisselle redémarre.



AVERTISSEMENT

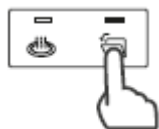


Ouvrir la porte au cours d'un cycle est dangereux : la vapeur chaude qui s'échappe peut vous brûler.

Ouverture automatique

À la fin d'un programme, la porte s'ouvre automatiquement pour obtenir un meilleur effet de séchage et réduire la consommation d'énergie pendant la phase de séchage.

Vous pouvez appuyer sur le bouton Ouverture automatique pour activer ou désactiver l'option d'ouverture automatique.



REMARQUE :

La porte du lave-vaisselle ne doit pas être bloquée lorsqu'elle est réglée pour s'ouvrir automatiquement. Cela peut perturber le fonctionnement de la serrure.

CODES D'ERREUR

En cas de dysfonctionnement, le lave-vaisselle affiche un code d'erreur. Le tableau suivant présente les codes d'erreur possibles et leurs causes.

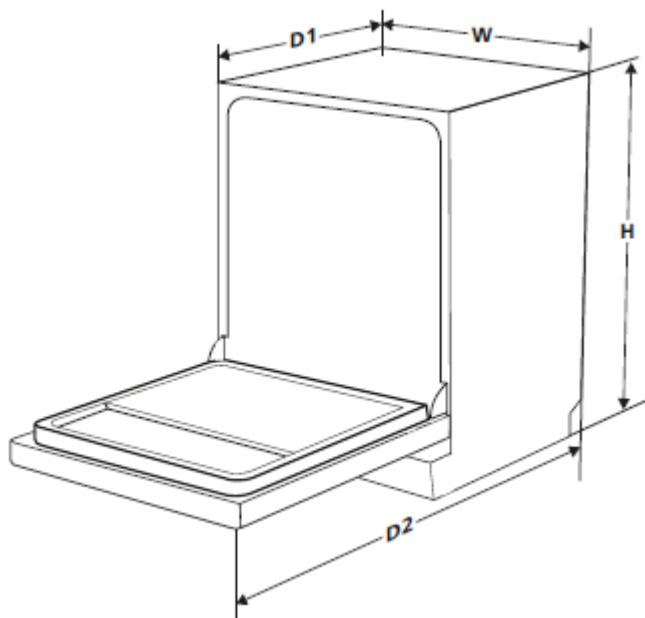
Code	Interprétation	Causes possibles
E1	Délai d'arrivée d'eau trop long	Le robinet est fermé, l'arrivée d'eau est bloquée ou la pression de l'eau est trop faible
E3	Température requise non atteinte	Dysfonctionnement de l'élément chauffant
E4	Débordement	Un élément du lave-vaisselle fuit
Ec	Défaillance du système de contrôle du lavage	Défaillance du PCB, de la pompe de vidange ou du moteur
Ed	Défaillance de la communication entre la carte électronique principale et la carte électronique d'affichage	Circuit ouvert ou court-circuit de la communication



AVERTISSEMENT

- En cas de débordement, coupez l'arrivée d'eau avant d'appeler un technicien.
- En cas de présence d'eau dans la base de la cuve suite à un débordement ou à une petite fuite, retirez l'eau avant de redémarrer le lave-vaisselle.
- Si un code d'erreur ne peut être résolu, veuillez demander l'aide d'un professionnel.

INFORMATIONS TECHNIQUES



Hauteur (H)	857 mm
Largeur (W)	598 mm
Profondeur (D1)	550 mm (porte fermée)
Profondeur (D2)	1226 mm (porte ouverte à 90°)

ACCES BASE DE DONNEES

Afin d'accéder aux informations concernant votre modèle, stocké dans la base de données des produits, conformément au règlement (UE) 2019/2017 et relatif à l'étiquetage énergétique, veuillez-vous connecter au site internet : <https://eprel.ec.europa.eu/>

Rechercher la référence de votre appareil sur le site internet en entrant la référence service qui est indiquée sur la plaque signalétique de votre appareil.

Un autre moyen d'accéder à ces informations est de flasher le code « QR » présent sur l'étiquette énergétique de votre produit.

Service Après-vente

• INTERVENTIONS

Les éventuelles interventions sur votre appareil doivent être effectuées par un professionnel qualifié dépositaire de la marque. Lors de votre appel, mentionnez la référence complète de votre appareil (modèle, type, numéro de série). Ces renseignements figurent sur la plaque signalétique. vous pouvez nous contacter du lundi au samedi de 8h à 20h au 06 69 39 34 34 (service gratuit + prix appel).

• PIÈCES D'ORIGINE



Brandt France, Service
Consommateurs – **De Dietrich** –
5 avenue des Béthunes, BP 69526
St Ouen L'Aumône, 95060 Cergy
Pontoise Cedex

> ou nous téléphoner au :

De Dietrich : 0892.02.88.04*

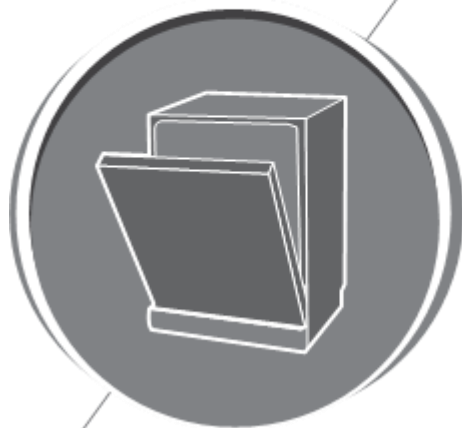
0,50 € TTC/ mn depuis un poste fixe

* Service fourni par Brandt France, société par actions simplifiée au capital de 1.000.000€, 89/91 boulevard Franklin Roosevelt, 92500 Rueil-Malmaison – RCS Nanterre 801 250 531

Brandt France, Société par Actions Simplifiée, au capital social de 1.000.000€, dont le siège social est situé au 89/91 boulevard Franklin Roosevelt, 92500 Rueil-Malmaison, immatriculée sous le numéro RCS Nanterre 801.250.531.

INFORMATION :

La durée minimale de mise à disposition des pièces de rechange inscrites dans la liste du Règlement Européen 2019-2022-EU et accessibles notamment à l'utilisateur de l'appareil, est de 10 ans dans les conditions prévues par ce même règlement.



Myčka nádobí

Návod k obsluze

ČÁST I: Všeobecné pokyny

Před použitím myčky nádobí si pozorně přečtete tento návod k obsluze. Návod uschovejte pro pozdější použití.

OBSAH

01	3	BEZPEČNOSTNÍ POKYNY
02	8	POPIS SPOTŘEBIČE
03	9	UŽÍVÁNÍ MYČKY NÁDOBÍ
	9	Plnění soli do změkčovače
	11	Rady týkající se naplnění košů
	13	Velký polyfunkční stojan na nádobí
04	14	ÚDRŽBA A ČIŠTĚNÍ
	14	Údržba vnější části
	14	Údržba vnitřní části
	17	Údržba myčky nádobí
05	18	POKYNY K MONTÁŽI
	18	Elektrické připojení
	19	Připojení vody a odpadu
	20	Připojení vypouštěcí hadice
	21	Umístění spotřebiče
	21	Vestavná instalace (pro integrovaný model)
06	25	TIPY PRO ŘEŠENÍ PROBLÉMŮ
	28	Dostupnost náhradních dílů
07	29	PLNĚNÍ KOŠŮ

POZNÁMKA:

- V části „Tipy pro řešení problémů“ naleznete informace, které vám pomohou vyřešit některé běžné problémy vlastními silami.
- Pokud nemůžete problém vyřešit sami, požádejte o pomoc kvalifikovaného technika.
- Výrobce může v souladu s vlastní politikou neustálého vývoje a aktualizace výrobku provádět změny bez předchozího upozornění.

BEZPEČNOSTNÍ POKYNY

VAROVÁNÍ

Při používání myčky dodržujte níže uvedená bezpečnostní opatření:

- Instalaci a opravy může provádět pouze kvalifikovaný technik
- Tento spotřebič je určen pro použití v domácnosti a pro podobné použití, jako např.:
 - kuchyňské prostory v prodejnách, kancelářích a dalších pracovních provozech;
 - zemědělské provozy;
 - hotely, motely, hostinského pokoje a jiná ubytovací zařízení;
 - zařízení s polopenzí.
- Tento spotřebič mohou používat děti ve věku od 8 let a osoby se sníženými fyzickými, smyslovými nebo duševními schopnostmi nebo s nedostatečnými zkušenostmi a znalostmi, pokud jsou pod dohledem nebo pokud byly poučeny o používání zařízení bezpečným způsobem a rozumí případným nebezpečím.
- Děti si se spotřebičem nesmějí hrát. Čištění a údržbu nesmějí provádět děti bez dozoru. (Pro EN 60335-1)
Tento spotřebič nesmějí používat osoby (včetně dětí) se sníženými fyzickými, smyslovými nebo duševními schopnostmi nebo bez patřičných zkušeností nebo znalostí, pokud osoba odpovědná za jejich bezpečnost nezajistí jejich dohled a neseznámí je s pokyny pro používání spotřebiče.
- Obalový materiál může být pro děti nebezpečný!
- Tento spotřebič je určen výhradně pro použití v domácnosti.

Aby nedošlo k úrazu elektrickým proudem, neponořujte spotřebič, kabel ani zástrčku do vody nebo jiné kapaliny.

- Před čištěním a prováděním údržby odpojte spotřebič od elektrického napájení.
- Pokud je napájecí kabel poškozený, nechte jej nahradit výrobcem, autorizovaným servisním pracovníkem nebo osobou s obdobnou kompetencí, abyste předešli nebezpečí.



Pokyny pro uzemnění

- Tento spotřebič musí být uzemněný. V případě poruchy nebo poškození sníží uzemnění riziko úrazu elektrickým proudem tím, že zajistí vybíjecí odpor elektrického proudu. Tento spotřebič je vybaven zástrčkou s uzemňovacím vodičem.
- Zástrčka musí být zapojena do vhodné zásuvky, která je nainstalována a uzemněna v souladu se všemi místními předpisy a vyhláškami.
- Nesprávné připojení uzemňovacího vodiče může vést k riziku úrazu elektrickým proudem.

- Pokud máte pochybnosti, zda je spotřebič správně uzemněn, poraďte se s kvalifikovaným elektrikářem nebo servisním zástupcem.
- Neupravujte zástrčku dodávanou se spotřebičem, pokud ji nelze zapojit do zásuvky.
- Využijte služeb kvalifikovaného elektrikáře a nechte nainstalovat správný typ zásuvky.
- S myčkou nádobí nezacházejte nešetrným způsobem, nesedejte si ani nestoupejte na dvířka nebo na koše na nádobí.
- Myčku nepoužívejte, pokud na ní nejsou správně namontovány všechny krycí panely.
- Pokud je myčka v provozu, otevírejte dvířka velmi opatrně, hrozí nebezpečí vystříknutí vody.
- Na otevřená dvířka nepokládejte žádné těžké předměty, ani na ně nestoupejte. Spotřebič by se mohl převrhnout.
- Při vkládání znečištěného nádobí:
 - 1) ostré předměty umístěte tak, aby nedošlo k poškození těsnění dvířek;
 - 2) Pozor: nože a jiné nádobí s ostrými hroty musí být do koše vloženy tak, aby jejich hroty směřovaly dolů, nebo musí být umístěny ve vodorovné poloze.
- Některé mycí prostředky pro myčky nádobí jsou silně alkalické. Při požití mohou být extrémně nebezpečné. Vyvarujte se kontaktu s kůží a očima a při otevřených dvířkách udržujte děti z dosahu myčky.
- Po ukončení mycího cyklu zkontrolujte, zda se v myčce nenacházejí zbytky mycího prostředku.

- Nemyjte v myčce plastové nádoby, pokud není označeno jako „vhodné do myčky nádobí“ nebo podobným způsobem.
- U neoznačeného plastového nádobí se řiďte doporučením výrobce.
- Používejte pouze mycí prostředky a leštidla doporučená pro použití v automatické myčce nádobí.
- Nikdy v myčce nádobí nepoužívejte mýdlo, prací prostředky ani prostředky na mytí rukou.
- Dvířka by neměla zůstat otevřená, hrozí riziko, že o ně zakopnete.
- Během instalace nesmí být napájecí kabel nadměrně nebo nebezpečně ohnutý nebo skřípnutý.
- Nepravujte ovládací prvky.
- Spotřebič musí být připojen k hlavnímu uzavíracímu ventilu vody pomocí nové sady hadic. Staré hadice znovu nepoužívejte.
- Pro úsporu energie se spotřebič v pohotovostním režimu automaticky vypne, pokud během 15 minut neproběhne žádná operace.
- Maximální kapacita přístroje je 16 sad nádobí.
- Povolený tlak vody na vstupu musí být roven 0,04 - 1 MPa.

Likvidace

- V příslušném recyklačním centru zlikvidují spotřebič i jeho obal.

Předtím odřízněte napájecí kabel a zajistěte, aby byla západka dvířek nepoužitelná.

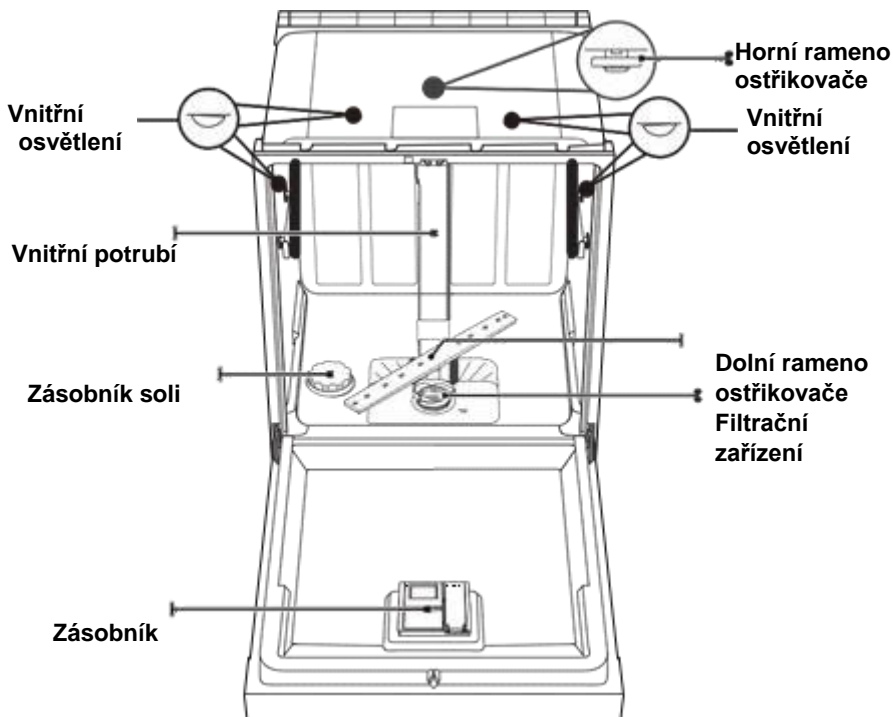


- Kartonový obal je vyrobený z recyklovaného papíru a je třeba ho vyhodit do kontejneru na papír, aby byl recyklován.
- Zajištěním správné likvidace tohoto produktu pomůžete zabránit potenciálním negativním důsledkům pro životní prostředí a lidské zdraví, které by mohly být způsobeny nesprávným nakládáním s tímto výrobkem.
- Bližší informace o recyklaci tohoto výrobku vám poskytne místní městský úřad a služby zabývající se likvidací domácího odpadu.
- **LIKVIDACE: Nevyhazujte tento spotřebič do směsného odpadu. Spotřebič nechte zlikvidovat odděleně tak, aby byl zpracován odpovídajícím způsobem.**

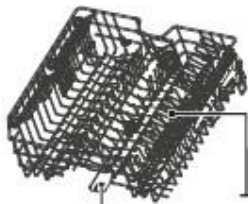
POPIS SPOTŘEBIČE

0 DŮLEŽITÉ:

Chcete-li dosáhnout optimálního výkonu myčky, přečtěte si před prvním použitím všechny provozní pokyny.



Příborová zásuvka



Horní rameno ostřikovače



Držák na šálky

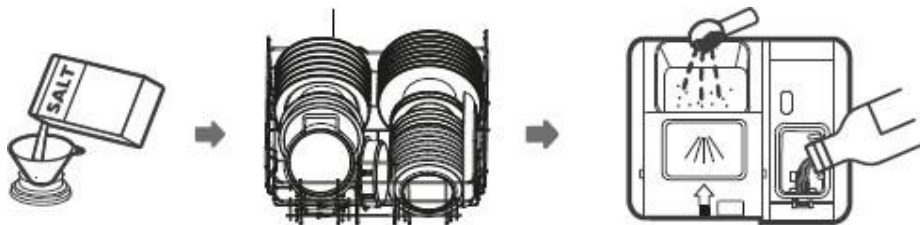
Dolní koš

💡 POZNÁMKA:

Obrázky jsou pouze informativní, různé modely se mohou lišit.

UŽÍVÁNÍ MYČKY NÁDOBÍ

Před použitím myčky nádobí:



1. Nastavte změkčovač vody
2. Naplňte sůl do změkčovače
3. Naplňte koše
4. Naplňte zásobník na mycí prostředek.



Přečtete si v části 1 „Změkčovač vody“ v ČÁSTI II/Speciální pokyny pro nastavení změkčovače vody.

Plnění soli do změkčovače

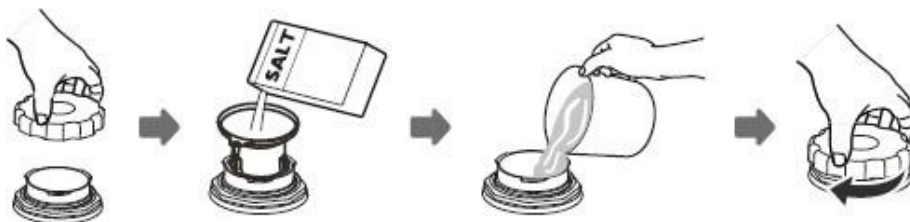
POZNÁMKA:

Pokud váš model není vybaven změkčovačem vody, můžete tuto část přeskočit. Vždy používejte sůl určenou k použití v myčce nádobí. Zásobník na sůl je umístěn pod dolním košem a plní se následujícím způsobem:

VAROVÁNÍ


- **Používejte pouze sůl speciálně určenou pro použití v myčkách nádobí!** Každý jiný typ soli, která není speciálně určena pro použití v myčce nádobí, zejména stolní sůl, může změkčovač vody poškodit. V případě poškození přístroje způsobeného nevhodnou solí výrobce neposkytuje záruku a není zodpovědný za vzniklé škody.
- **Sůl plňte pouze bezprostředně před spuštěním cyklu.** Zabráníte tak tomu, aby případná rozsypaná zrnka soli nebo rozlitá slaná voda zůstala na dně spotřebiče delší dobu, což by mohlo způsobit korozi povrchu.

Při doplňování soli do myčky postupujte podle následujících pokynů:



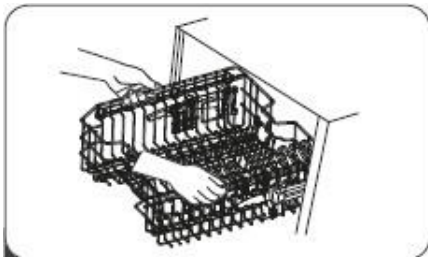
1. Vyjměte dolní koš a odšroubujte uzávěr zásobníku.
2. Vložte konec násypky (součást dodávky) do otvoru a vsypte asi 1,5 kg soli pro myčku nádobí.
3. Dolijte do zásobníku na sůl vodu až k maximální úrovni. Je běžné, že ze zásobníku na sůl vyteče malé množství vody.
4. Jakmile je zásobník naplněný, pevně zašroubujte víčko.
5. Jakmile je zásobník na sůl naplněný, výstražná kontrolka stavu soli zhasne.
6. Ihned po doplnění zásobníku na sůl spusťte mycí program (doporučujeme krátký program), aby nedošlo k poškození filtračního systému, čerpadla či jiných důležitých součástí spotřebiče slanou vodou. Na poškození vzniklá působením slané vody se nevztahuje záruka.

POZNÁMKA:

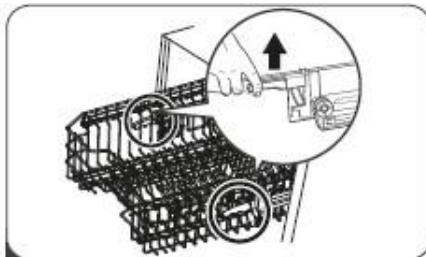
- Zásobník na sůl doplňujte pouze tehdy, rozsvítí-li se výstražná kontrolka stavu soli () na ovládacím panelu. V závislosti na rychlosti rozpouštění soli může zůstat kontrolka udávající stav soli rozsvícena i po doplnění zásobníku.
Pokud na ovládacím panelu není kontrolka stavu soli (u některých modelů), můžete odhadnout, kdy se má sůl do změkčovače doplnit podle počtu cyklů, které myčka vykonala.
- Pokud došlo k rozsypaní soli mimo zásobník, spusťte program namáčení nebo rychlý program, abyste ji odstranili.

Rady týkající se naplnění košů

Nastavení horního koše



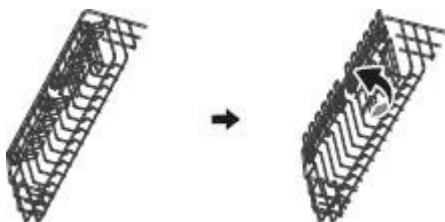
1 Pro nastavení horního koše do vyšší polohy stačí koš zvednout po obou stranách a nechat ho v horní poloze dosednout. Není nutné nadzvedávat nastavovací páčky.



2 Pro nastavení horního koše do nižší polohy zvedněte po stranách, aby došlo k uvolnění koše a umístěte jej do spodní polohy.

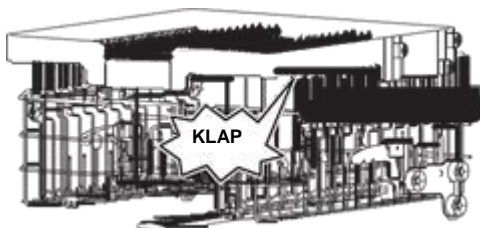
Sklopení přihrádky na šálky

Chcete-li vytvořit prostor pro vyšší předměty v horním koši, sklopte přihrádku na šálky nahoru. Můžete o ni pak opřít vyšší sklenice. Přihrádku můžete rovněž odstranit, pokud je nepotřebujete.



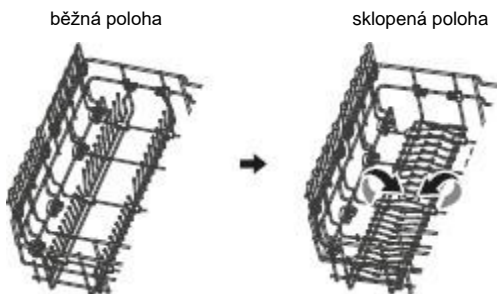
POZNÁMKA:

Pokud je horní koš zajištěný ve vyšší poloze, nelze přihrádku na šálky sklopit.



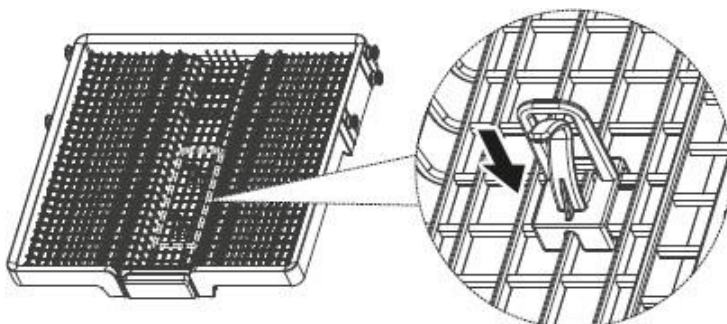
Sklopení trnů

Trny dolního koše se používají pro umístění talířů a táců. Lze je sklopit, aby vzniklo více prostoru pro větší nádoby.

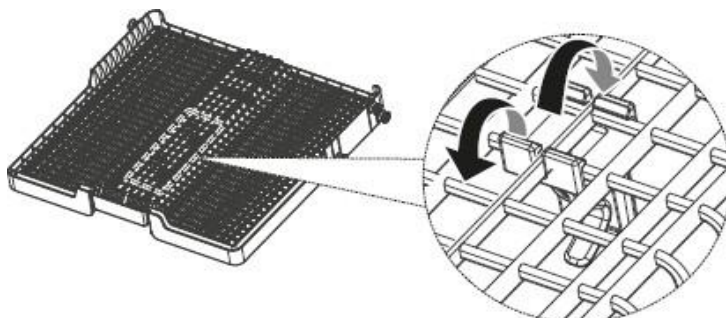


Držák na malé předměty

Držák se upevní přitlačením v poloze, jak je znázorněno. Může být použit k uchycení malých předmětů, jako třeba dudlíků.



Chcete-li držák odstranit, uvolněte ze spodní strany úchytku, jak je znázorněno.



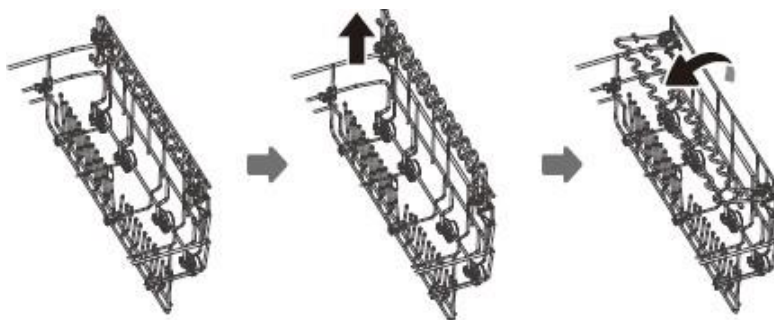
Velký polyfunkční stojan na nádobi

Umožňuje bezpečně a flexibilně umístit velké kuchyňské náčiní, jakým jsou plechy na pečení a kuchyňská prkénka. Je rovněž vhodný k umístění velkých sklenic na víno.



Pokud ho chcete použít, zatáhněte za držák a vysuňte ho.

Držák můžete sklopit, pokud stojan nepotřebujete. Jakmile je sklopený, nezabírá místo.



ÚDRŽBA A ČIŠTĚNÍ

Údržba vnější části

Dvířka a těsnění dvířek

Těsnění dvířek pravidelně čistěte měkkým navlhčeným hadříkem, abyste odstranili zbytky potravin.

Při plnění myčky nádobí mohou zbytky potravin a nápojů odpadávat na boční strany dvířek myčky. Tyto povrchy se nacházejí mimo mycí prostor a nejsou tak přístupné pro vodu ze stříkacích ramen. Před zavřením dvířek je třeba z nich otřít veškeré nečistoty.

Ovládací panel

Pokud je potřeba očistit ovládací panel, otřete jej pouze měkkým navlhčeným hadříkem.

VAROVÁNÍ

- Nepoužívejte žádné sprejové čističe, aby nedošlo ke vniknutí vody do zámku dveří a do elektrických součástí.
- Na vnější povrchy nikdy nepoužívejte abrazivní čisticí prostředky nebo drátěnky, protože by mohly poškrábat povrch. Také některé papírové utěrky mohou povrch poškrábat nebo na něm zanechat stopy.

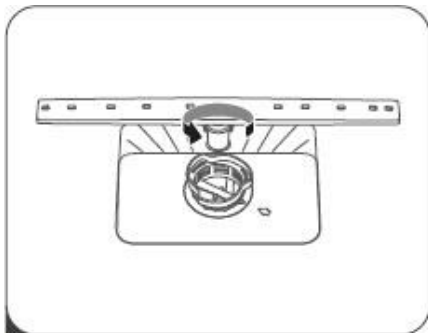
Údržba vnitřní části

Filtrační systém

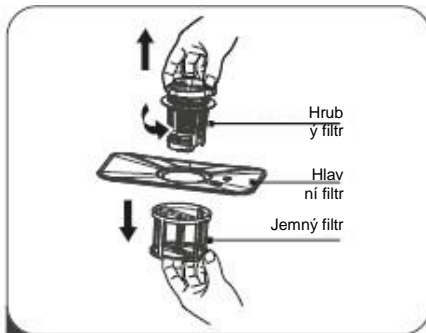
Filtrační systém, který se nachází v dolní části spotřebiče, zadržuje v průběhu mycího cyklu hrubé nečistoty včetně cizích těles, jakými jsou třeba párátko nebo střepey. Nashromážděné hrubé nečistoty mohou způsobit ucpaní filtrů. Stav filtrů pravidelně kontrolujte (jednou měsíčně). Cizí tělesa pečlivě odstraňte a v případě potřeby jednotlivé části filtračního systému očistěte pod tekoucí vodou. Při čištění filtrů postupujte následovně.

POZNÁMKA:

Obrázky jsou pouze informativní, jednotlivé modely filtračních systémů a ostříkovacích ramen se mohou lišit.



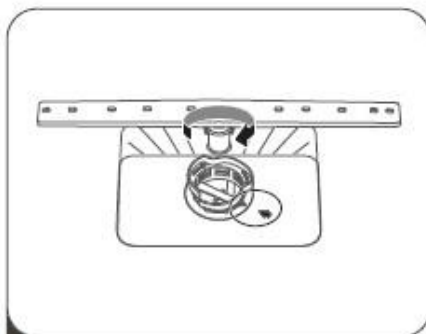
- 1** Uchopte hrubý filtr a uvolněte jej otočením proti směru hodinových ručiček. Filtr nadzvedněte a vyjměte z myčky.



- 2** Jemný filtr můžete vyjmout ze spodní části filtračního zařízení. Hrubý filtr odmontujte od hlavního filtru jemným stlačením jazýčků v horní části.



- 3** Větší zbytky potravin opláchněte z filtru tekoucí vodou. Pro důkladnější čištění použijte měkký čistící kartáček.



- 4** Filtry znovu sestavte v opačném pořadí než při demontáži, vložte zpět do filtračního zařízení a otáčejte je ve směru hodinových ručiček až ke značce šipky.

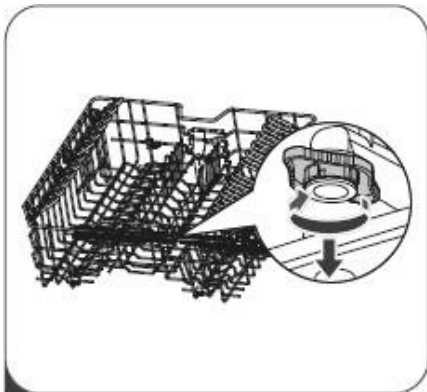
⚠ VAROVÁNÍ

- Filtry příliš neutahujte. Filtry složte zpět v pořadí a pečlivě připevněte, aby se do systému nemohly dostat hrubé nečistoty a způsobit zablokování.
- Nikdy myčku nepoužívejte bez filtrů. Nesprávně umístěný filtr může snížit výkon spotřebiče a poškodit nádobí.

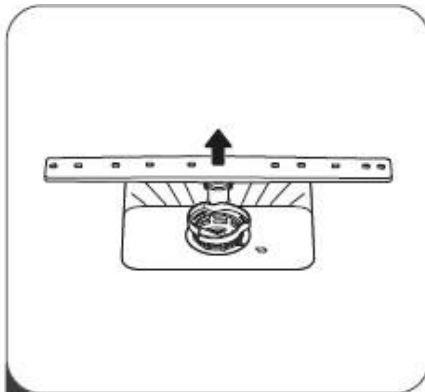
Ostřikovací ramena

Ostřikovací ramena je nutné pravidelně čistit, protože látky obsažené v tvrdé vodě ucpávají trysky a zanášejí ložiska ostřikovacích ramen.

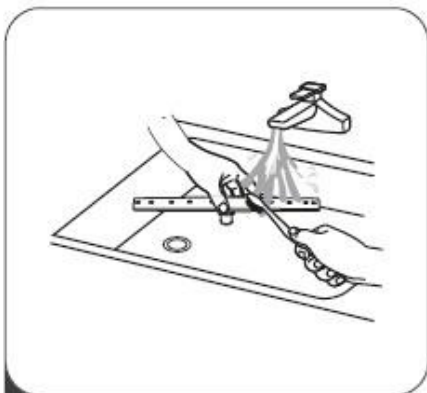
Při čištění ostřikovacích ramen postupujte podle následujících pokynů:



- 1** Chcete-li vyjmout horní ostřikovací rameno, uchopte středovou matici a otáčením ramene ostřikovače proti směru hodinových ručiček jej vyjměte.



- 2** Dolní ostřikovací rameno vytáhněte směrem nahoru.



- 3** Ramena omyjte teplou mýdlovou vodou a trysky vyčistěte měkkým kartáčem. Po důkladném opláchnutí je vraťte na místo.

Údržba myčky nádobí

Ochrana před mrazem

V zimním období zajistěte, abyste myčku ochránili před mrazem. Po každém mycím cyklu postupujte následovně:

1. Odpojte myčku od elektrické sítě.
2. Vypněte přívod vody a odpojte přívodní hadici od vodovodní baterie.
3. Vypusťte vodu z přívodní hadice a vodovodní baterie. (K zachycení vody použijte vhodnou nádobu)
4. Přívodní hadici opět napojte k vodovodní baterii.
5. Vyjměte filtr ze dna mycí vany a pomocí houby odsajte vodu z nádrže.

Po každém mycím cyklu

Po každém mytí vypněte přívod vody a po nějakou dobu nechte dvířka lehce otevřená, aby myčka zůstala suchá a nedošlo ke vzniku nepříjemného zápachu.

Odpojte zástrčku z elektrické sítě

Před čištěním nebo prováděním údržby vždy odpojte zástrčku z elektrické sítě.

Nepoužívejte rozpouštědla ani abrazivní čisticí prostředky

K čištění vnějších a pryžových částí myčky nepoužívejte rozpouštědla nebo abrazivní čisticí prostředky. Použijte hadřík namočený ve vlažné mýdlové vodě.

Pro odstranění usazenin nebo skvrn z vnitřních povrchů používejte hadřík navlhčený vodou s trochou octa nebo se speciálním čisticím prostředkem na myčky nádobí.

Pokud se spotřebič po delší dobu nepoužívá

Doporučujeme provést jeden mycí cyklus bez vloženého nádobí, pak vytáhněte zástrčku ze zásuvky, vypněte přívod vody a ponechte dvířka spotřebiče pootevřená. Takto prodloužíte životnost těsnění dvířek a zabráníte vzniku nepříjemného zápachu uvnitř spotřebiče.

Přemísťování spotřebiče

Pokud potřebujete spotřebič přemístit, snažte se jej udržet ve vertikální poloze. V případě naprosté nutnosti ho můžete položit na zadní stranu.

Těsnění

Jedním z faktorů, které způsobují tvorbu nepříjemných zápachů v myčce, jsou potraviny, které zůstávají zachycené na těsnění. Tomu lze zabránit pravidelným čištěním těsnění pomocí vlhké houbičky.

POKYNY K MONTÁŽI

⚠ VAROVÁNÍ



Nebezpečí úrazu elektrickým proudem

Před montáží myčku odpojte od elektrické sítě.

V případě nedodržení tohoto pokynu může hrozit nebezpečí smrti nebo úrazu elektrickým proudem.

⚠ Upozorn

Instalace potrubí a elektrických zařízení by měla být provedena kvalifikovanými osobami.

Elektrické připojení

⚠ VAROVÁNÍ

Pro vaši bezpečnost:

- Nepoužívejte u tohoto spotřebiče prodlužovací kabely nebo adaptéry.
- Za žádných okolností neodpojujte ani neodstraňujte uzemňovací připojení síťového kabelu.

Elektrické napájení

Před připojením myčky nádobí k napájecímu zdroji se ujistěte, zda síťové napětí odpovídá napětí uvedenému na typovém štítku. Použijte požadované jištění 10 A / 13 A / 16 A, doporučujeme

pojistku s časovým zpožděním nebo jistič a pro tento spotřebič zajistěte samostatný okruh.

Elektrické připojení

Ujistěte se, že napájecí napětí a frekvence odpovídají údajům uvedeným na typovém štítku. Zástrčku připojte pouze do řádně uzemněné elektrické zásuvky. Pokud elektrická zásuvka, ke které musí být spotřebič připojen, není vhodná pro použití zástrčky, vyměňte ji. Nepoužívejte adaptéry nebo jiná zařízení, která by mohla způsobit přehřátí a popáleniny.

⚠ Před použitím se ujistěte, že je instalováno správné uzemnění

Připojení vody a odpadu

Připojení studené vody

Připojte hadici přívodu studené vody na přípojku se závitem 3/4 (palce) a ujistěte se, že je řádně utažená.

Pokud máte nové hadice na vodu nebo hadice, které nebyly delší dobu používány, nechte jimi nejprve protéct vodu, abyste zjistili, zda je čistá. Toto preventivní opatření je nutné, aby nedošlo k zablokování přívodu vody a poškození spotřebiče.



Běžná přívodní hadice vody



Bezpečnostní přívodní hadice vody

Bezpečnostní přívodní hadice vody

Bezpečnostní přívodní hadice má dvojitou stěnu. Systém hadice zablokuje přívod vody, pokud dojde k poškození hadice, nebo když se vzduchový prostor mezi přívodní hadicí a vnějším ohebným kabelem zaplní vodou.



VAROVÁNÍ

Hadice může prasknout, pokud je připojena stejnému kohoutku jako kuchyňský dřez. V tomto případě doporučujeme hadici odpojit a otvor zaslepit.

Jak připojit bezpečnostní přívodní hadici vody

1. Vyjměte bezpečnostní přívodní hadici z úložného prostoru na zadní straně myčky.
2. Přišroubujte bezpečnostní přívodní hadice k vodovodnímu kohoutu pomocí spojky se závitem 3/4 palce.
3. Před spuštěním myčky zapněte vodu naplno.

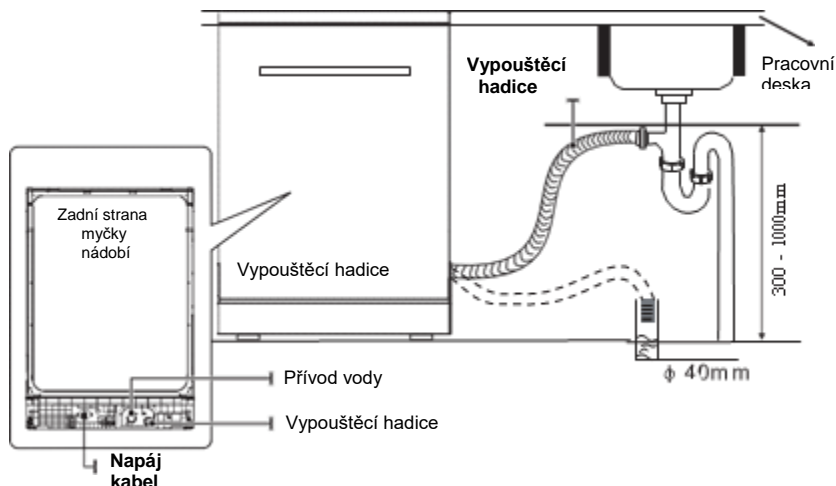
Jak odpojit bezpečnostní přívodní hadici vody

1. Vypněte přívod vody.
2. Odšroubujte bezpečnostní přívodní hadici od uzavíracího kohoutu.

Připojení vypouštěcí hadice

Vypouštěcí hadici zasuňte do odpadního potrubí o minimálním průměru 4 cm, nebo ji nechte vytékat do dřezu, přičemž dbejte na to, aby nebyla příliš ohnutá nebo přiskřípnuta. Výška odtokové hadice musí být menší než 1000 mm. Volný konec hadice nesmí být ponořen do vody, aby nedošlo ke zpětnému toku.

⚠ Vypouštěcí hadci bezpečně upevněte do polohy A nebo B, aby nedošlo k jejímu posunutí



Jak vypustit přebytečnou vodu z hadic

Pokud je vypouštěcí hadice umístěna ve výšce přesahující více než 1 000 mm, může přebytečná voda zůstat ve vypouštěcí hadici. Je nezbytné vypustit přebytečnou vodu do mísy nebo jiné vhodné nádoby, umístěné vně a níže, než je výška dřezu.

Odtok vody

Připojte odpadní hadici. Vypouštěcí hadice musí být správně nainstalována, aby nedocházelo k úniku vody. Zkontrolujte, zda vypouštěcí hadice není ohnutá nebo přiskřípnutá.

Prodlužovací hadice

Pokud pro vypouštění vody potřebujete prodlužovací hadici, použijte podobný typ hadice. Hadice nesmí být delší než 4 metry, jinak může dojít ke snížení výkonu myčky nádobí.

Připojení sifonu

Připojení odpadu se musí nacházet ve výšce menší než 1 000 mm (maximálně) od spodní části myčky.

Umístění spotřebiče

Umístěte spotřebič na požadované místo. Zadní strana spotřebiče musí být přistavena ke stěně a boční strany k přilehlým příčkám nebo stěnám. Myčka je vybavena hadicí pro přívod vody a vypouštěcí hadicí, které lze umístit na pravou nebo levou stranu spotřebiče pro usnadnění správné montáže.

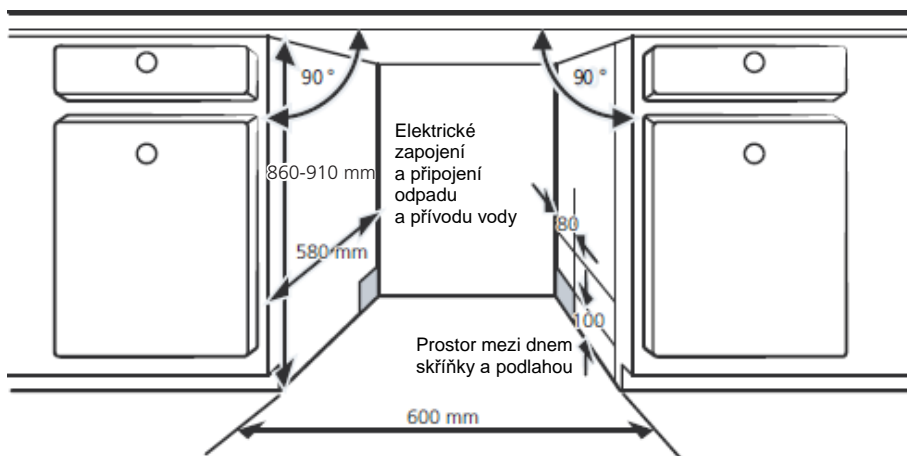
Vestavná instalace (pro integrovaný model)

Krok 1. Výběr nevhodnějšího místa pro myčku nádobí

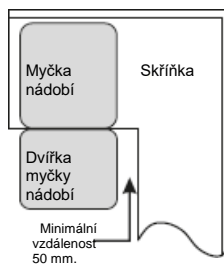
Myčka musí být umístěna v blízkosti stávajících přípojek pro přívod vody, odpad vody a elektrické zásuvky.

Znázornění rozměrů montážního místa a montážní poloha myčky.

1. Minimálně 5 mm mezi horní částí myčky a pracovní deskou; vnější deska je zarovnaná se skříňkami.



2. Pokud je myčka umístěna do rohu, nezapomeňte bezpečnostní vzdálenost pro otevření dvířek.



POZNÁMKA:

V závislosti na tom, kde se nachází elektrická zásuvka, bude pravděpodobně nutné vyříznout otvor v boční stěně přiléhající skříňky.

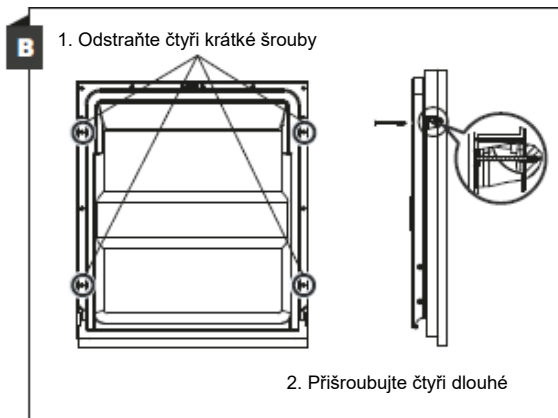
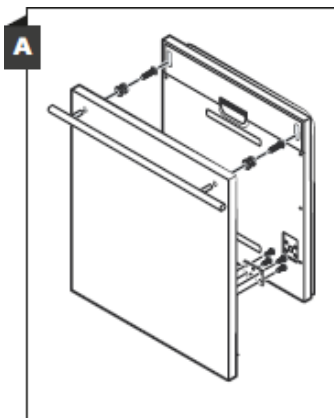
Krok 2. Rozměry a montáž obkladové desky



Při připevňování obkladové desky dvířek postupujte podle pokynů k montáži.

Vestavný model

Na obkladovou desku (zhruba 5 až 9 kg) připevněte háček a zasuňte jej do otvoru na vnější straně dvířek myčky (viz obrázek A). Desku po napolohování připevněte na dvířka pomocí šroubů a vrutů (viz obrázek B).

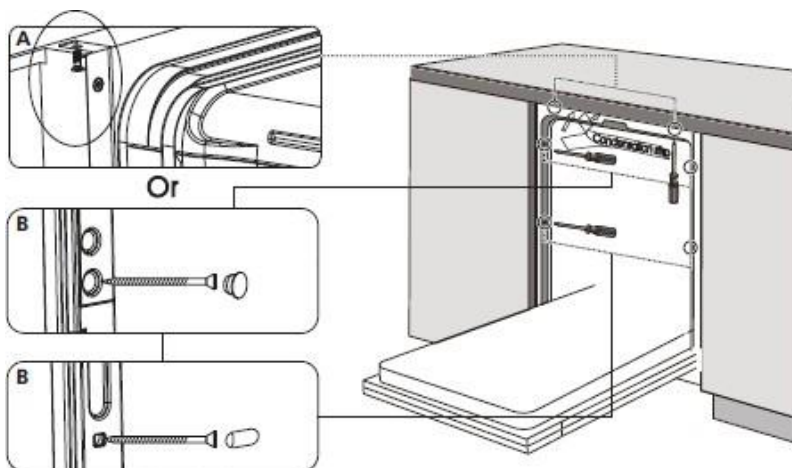


Krok 3. Kroky pro montáž myčky nádobí



Viz kroky pro montáž uvedené na montážních výkresech.

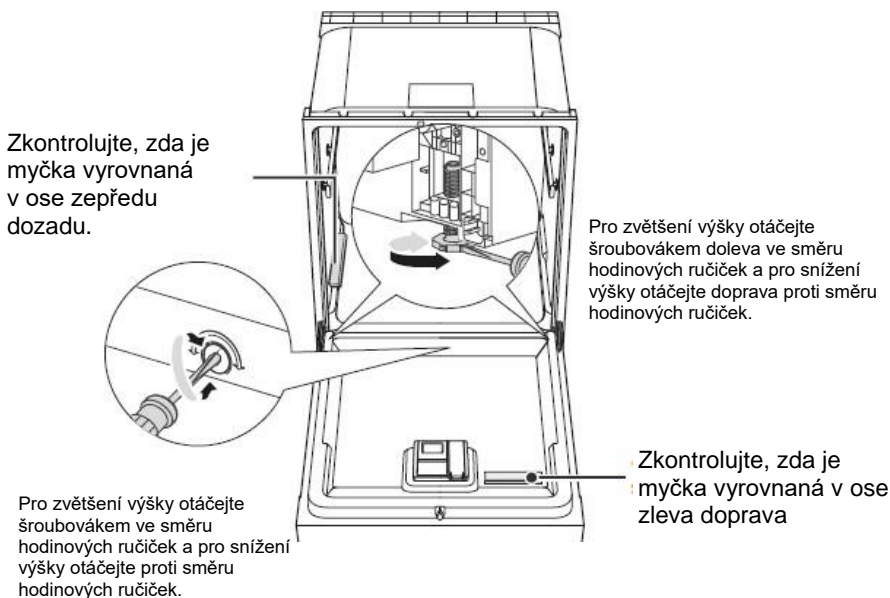
1. Nasadíte obkladovou desku na vnější stranu dvířek myčky nádobí. (Krok 2 až Krok 5)
2. Seřídíte napětí pružin dvířek pomocí imbusového klíče, který otáčejte ve směru hodinových ručiček, a utáhnete levou a pravou pružinu dvířek. Nedodržení tohoto pokynu může způsobit poškození myčky. (Krok 6)
3. Připevníte parotěsnou pásku na spodní stranu pracovní desky. Zkontrolujte, zda je parotěsná páska s okrajem pracovní desky zarovnána. (Krok 8)
4. Přívodní hadici připojte ke kohoutku přívodu studené vody. (Krok 9)
5. Připojte odpadní hadici. (Krok 9)
6. Zapojte napájecí kabel. (Krok 9)
7. Zasuňte myčku nádobí na místo. (Krok 10)
8. Vyrovnajte myčku do vodorovné polohy. Zadní nožku lze nastavit z přední strany myčky otáčením šestihranného šroubu umístěného uprostřed spodní strany myčky pomocí šestihranného klíče. Přední nožku nastavíte tak, že jí budete otáčet pomocí plochého šroubováku, dokud nebude myčka ve vodorovné poloze. (Krok 11)
9. Myčka musí být pevně uchycena. V závislosti na umístění můžete zvolit uchycení shora nebo z boku. Uchycení provedete následovně: (Krok 12)
 - A. Běžná pracovní deska: Vložte montážní háček do otvoru v bočním panelu a připevněte ho k pracovní desce pomocí vrutu.
 - B. Pracovní deska z mramoru nebo granitu: Připevněte boční panel pomocí šroubu.



Krok 4. Vyrovnání myčky

Myčku je nutné vyrovnat do vodorovné polohy, aby byl zajištěn správný chod košů na nádobí a účinnost mytí.

1. Umístěte vodováhu na dveře a na kolejničku koše uvnitř mycí vany tak, jak je znázorněno na obrázku, a zkontrolujte, zda je myčka ve vodorovné poloze.
2. Myčku vyrovnejte postupným nastavením tří vyrovnávacích nožiček.
3. Při vyrovnávání myčky dávejte pozor, aby se nepřevrátila.



POZNÁMKA:

Maximální nastavená výška nožek je 50 mm.

TIPY PRO ŘEŠENÍ PROBLÉMŮ

Než zavoláte opraváře

Nejdříve se podívejte do následujících tabulek, některé závady můžete odstranit sami bez pomoci opraváře.

Problém	Možná příčina	Co je třeba udělat
Myčka nádobí se nezapne	Vypadla pojistka nebo jistič	Vyměňte pojistku nebo nahodte jistič. Odpojte všechny ostatní spotřebiče zapojené do stejného napájecího obvodu s myčkou.
	Spotřebič není pod napětím.	Zkontrolujte, zda je myčka nádobí pod napětím a zda jsou správně zavřena dvířka. Zkontrolujte, zda je zástrčka správně zapojená do elektrické zásuvky.
	Tlak vody je slabý	Zkontrolujte, zda je přívod vody správně připojený a zda je kohout otevřený.
	Dvířka myčky nádobí nejsou správně zavřena.	Řádně zavřete dvířka a západku.
Myčka nádobí nečerpá vodu	Odpadní hadice je zkroucená nebo přiskřípnutá.	Zkontrolujte vypouštěcí hadici.
	Filtr je zanesený.	Zkontrolujte filtrační systém.
	Kuchyňský dřez je ucpaný.	Zkontrolujte, zda váš kuchyňský dřez není ucpaný. Pokud kuchyňský dřez správně neodtéká, budete se zřejmě muset obrátit spíše na instalatéra, než na odborného opraváře myček nádobí.
Pěna v mycí vaně	Nevhodný mycí prostředek.	Abyste zabránili vzniku pěny, používejte pouze speciální mycí prostředky určené do myčky nádobí. Pokud se pěna vytvoří, otevřete myčku a vyčkejte, až pěna zmizí. Na dno myčky nalijte 1 litr studené vody. Zavřete dvířka myčky a vyberte libovolný cyklus. Myčka začne vodu vypouštět. Jakmile vypouštění vody skončí, otevřete dvířka myčky a zkontrolujte, zda pěna zmizela. V případě potřeby postup opakujte.

Problém	Možná příčina	Co je třeba udělat
	Rozlitý oplachovací prostředek.	Rozlitý oplachovací prostředek vždy ihned otřete.
Skvrny na vnitřních stěnách myčky	Použitý mycí prostředek obsahoval barvivo.	Zkontrolujte, zda použitý mycí prostředek neobsahuje barvivo.
Bílý povlak na vnitřním povrchu.	Jedná se o usazené minerály z tvrdé vody.	K vyčištění vnitřní části použijte vlhkou houbu s mycím prostředkem na myčky nádobí a nezapomeňte si nasadit gumové rukavice. Abyste předešli tvorbě pěny, nikdy nepoužívejte jiný čisticí prostředek než mycí prostředek do myčky nádobí.
Na přiborech jsou skvrny od rzi	Přibory nejsou odolné vůči korozi.	V myčce nádobí neumývejte přibory, které nejsou odolné vůči korozi.
	Po doplnění soli pro myčky nádobí se nespustil žádný program. Do mycího cyklu se přimíchaly stopy soli.	Po doplnění soli vždy spusťte mycí program bez nádobí. Po doplnění soli nepoužívejte funkci Turbo (pokud je k dispozici).
	Kryt zásobníku na změkčovač není správně uzavřený.	Zkontrolujte, zda je kryt zásobníku na změkčovač správně uzavřený
Klepající zvuk v myčce.	Ostříkovací rameno naráží na nádobí v koši, který se nachází pod tímto ramenem.	Přerušte program a přeskládejte nádobí, které brání v pohybu ostříkovacího ramene.
Drnčivý zvuk v myčce.	Přibory se v myčce převrhly.	Přerušte program a přeskládejte přibory.
Klepající zvuk v přívodech vody.	Může to zřejmě způsobovat způsob montáže myčky nebo průřezy přívodů.	Nemá to žádný vliv na funkci myčky. Pokud máte pochybnosti, zavolejte instalatéra.
Nádobí není čisté	Nádobí nebylo do myčky správně vloženo.	Viz ČÁST I „Příprava a plnění nádobí“.
	Vybraný program nebyl dostatečně účinný.	Vyberte intenzivnější program.

Problém	Možná příčina	Co je třeba udělat
Nádobí není čisté.	Množství mycího prostředku nebylo dostačující	Přidejte více mycího prostředku nebo zvolte jiný mycí prostředek.
	Nádobí blokuje pohyb ostříkovacích ramen.	Znovu nádobí uspořádejte tak, aby se ramena mohla volně otáčet.
	Sestava filtrů není čistá nebo není správně namontována do spodní části mycího prostoru. Může to způsobit zablokování trysek ostříkovacích ramen.	Vyčistěte a/nebo správně namontujte filtrační zařízení. Vyčistěte ostříkovací ramena.
Zakalené sklenice.	Měkká voda současně s velkým množstvím mycího prostředku	Pokud máte měkkou vodu, používejte méně mycího prostředku a k mytí sklenic volte kratší cyklus, budou pak čistější.
Bílé skvrny na nádobí a na skle.	Tvrdá voda způsobuje usazování vodního kamene.	Zkontroluje nastavení změkčovače vody nebo naplnění zásobníku na sůl.
Černé nebo šedé skvrny na nádobí	O nádobí se otíralo hliníkové náčiní	K odstranění těchto skvrn z nádobí použijte jemný abrazivní čistící prostředek.
Zbytky mycího prostředku v mycí vaně.	Nádobí blokuje otevření zásobníku na mycí prostředek	Přeskládejte nádobí.
Nádobí není suché	Nesprávné uspořádání nádobí	Pokud na nádobí naleznete zbytky mycího prostředku, použijte rukavice, abyste předešli podráždění kůže.
	Nádobí jste vytáhli příliš brzy	Myčku nevyprazdňujte ihned po ukončení mycího cyklu. Dvířka lehce otevřete, aby mohla odejít pára. Vyčkejte a nádobí vyjměte, až teplota v myčce dostatečně klesne. Nejprve vyprázdněte dolní koš, abyste předešli případnému pokapání vodou z horního koše.

Problém	Možná příčina	Co je třeba udělat
Nádobí není suché	Nebyl vybrán vhodný program.	Při krátkém programu je mycí teplota nižší, což snižuje mycí účinnost. Zvolte delší program.
	Na přístroji je nekvalitní povrch.	Stékání vody je složitější z nekvalitních povrchů. Tento typ přístrojů nebo podnosů není vhodné mýt v myčce.



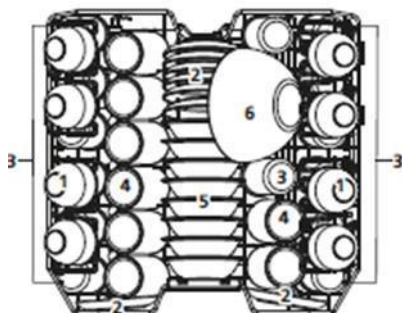
VAROVÁNÍ

Oprava svépomocí nebo neprovedená kvalifikovaným odborníkem může představovat vážná bezpečnostní rizika pro uživatele spotřebiče a může mít dopad na záruku.

PLNĚNÍ KOŠŮ PODLE NORMY EN60436:

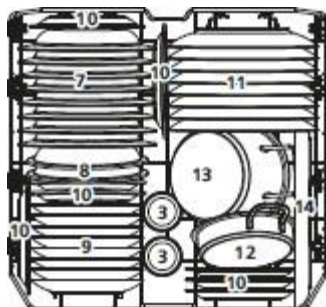
Úplné naplnění myčky přispívá k úspoře energie a vody.

1. Horní koš:



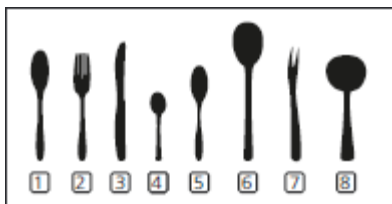
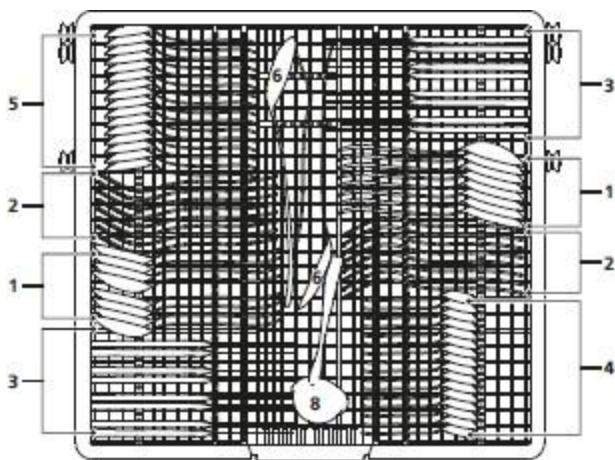
Číslo	Typ nádobí
1	Šálky
2	Podšálky
3	Sklenice
4	Velké šálky
5	Dezertní misky
6	Skleněné misky

2. Dolní koš:



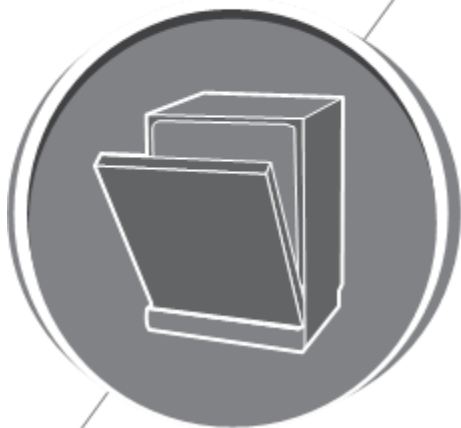
Číslo	Typ nádobí
7	Hluboké talíře
8	Melaminové misky
9	Dezertní talířky
10	Dezertní talířky z melaminu
11	Mělké talíře
12	Malé hrnce
13	Plech na pečení
14	Oválné podnosy

3. Příborová zásuvka:



Informace o srovnávacích testech
v souladu s normou EN60436
Kapacita: 16 sad nádobí
Poloha horního koše: nízká
Program: ECO
Nastavení leštidla: Max
Nastavení změkčovače: H3

Číslo	Typ nádobí
1	Polévkové lžíce
2	Vidličky
3	Nože
4	Káвовé lžičky
5	Dezertní lžičky
6	Servírovací lžíce
7	Servírovací vidličky
8	Naběračky



Myčka nádobí

Návod k obsluze

ČÁST II: Speciální pokyny

DCJ632DQX

De Dietrich 

Před použitím myčky nádobí si pozorně přečtěte tento návod k obsluze. Návod uschovejte pro pozdější použití.

OBSAH

	4	UŽÍVÁNÍ MYČKY NÁDOBÍ
	4	Ovládací panel
	8	Změkčovač vody
01	9	Příprava a plnění nádobí
	12	Funkce leštidla a mycího prostředku
	13	Plnění zásobníku na leštidlo
	14	Plnění zásobníku na mycí prostředek
	15	VOLBA PROGRAMU
	15	Tabulka programů
02	16	Úspory energie
	16	Spuštění programu
	17	Jak změnit program v průběhu mycího cyklu
	18	Zapomněli jste vložit nějaké nádobí?
	18	Automatické otevření
03	19	KÓDY PORUCH
04	20	TECHNICKÉ INFORMACE

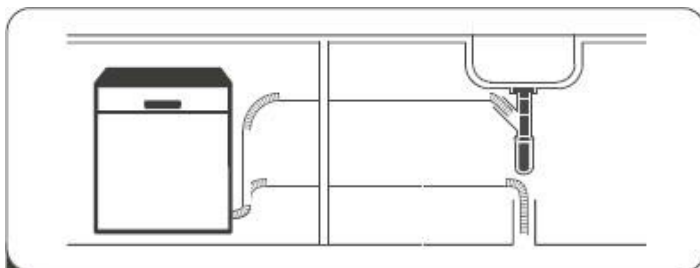


POZNÁMKA:

- Pokud nemůžete problém vyřešit sami, požádejte o pomoc kvalifikovaného technika.
- Výrobce může v souladu s vlastní politikou neustálého vývoje a aktualizace výrobku provádět změny bez předchozího upozornění.

PRŮVODCE OBSLUHOU

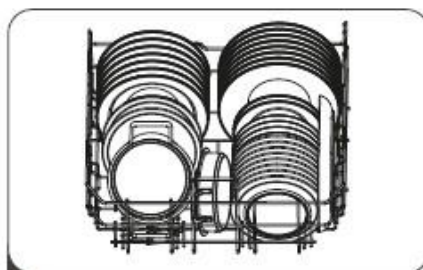
Pro lepší obeznámení s funkcemi spotřebiče si přečtěte příslušné části v návodu k obsluze.



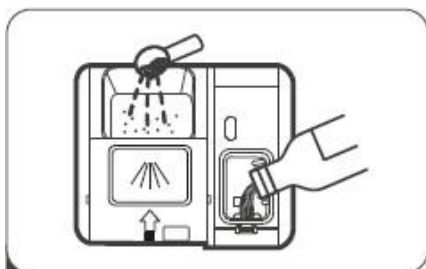
1 Montáž myčky
(Přečtěte si prosím část 5 „POKYNY K MONTÁŽI“ v ČÁSTI I: Všeobecné pokyny)



2 Z nádobí odstraňte velké zbytky.
Nádobí nepředmývejte.



3 Naplňte koše.



4 Naplňte zásobníky na mycí prostředek a leštidlo.



5 Zvolte vhodný program a myčku zapněte.

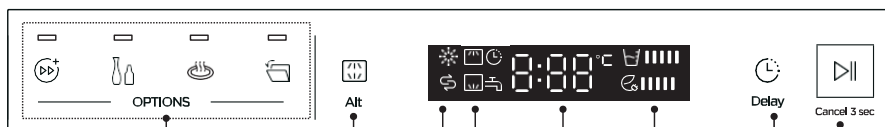
UŽÍVÁNÍ MYČKY NÁDOBÍ

Ovládací panel



1

2



6

4

7

8

9

10

3

5

Funkce (Tlačítko)

1 On/Off

Stisknutím tohoto tlačítka myčku zapnete. Displej se rozsvítí.

2 Program

ICS+ ICS+


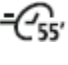



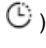




Tento program je řízen senzory a přizpůsobuje se stupni znečištění. Vhodný pro všechny typy nádobí.

H+ Hygiena 72°










Tento program je vhodný pro všechny typy nádobí a stupně znečištění. Zajišťuje nejvyšší mycí teplotu pro dezinfekci nádobí.

+☾ Tichý

Tento program je vhodný pro sklenice a běžně znečištěné nádobí. Jeho chod je tišší a může být používán večer nebo v noci

<p>2 Program</p>	<p>ECO ECO Tento standardní program je vhodný pro běžně znečištěné nádobí. Jedná se o nejúčinnější program, co se týče spotřeby energie a vody.</p> <p> 90 min Pro běžně znečištěné nádobí, které vyžaduje rychlé mytí a usušení.</p> <p> Mytí a sušení 55 min Pro běžně znečištěné nádobí, které vyžaduje rychlé mytí a usušení.</p> <p> Rychlé mytí 35 min Tento program nabízí nejkratší mycí cyklus pro lehce znečištěné nádobí, které nepotřebuje osušit.</p> <p> Předmývání Jedná se o oplachovací program, který je určen pouze k odstranění částí nečistot z nádobí, které pak bude umyto.</p> <p> Autočištění Tento program umožňuje účinné vyčištění prázdného spotřebiče.</p>
<p>3 Odložený start</p>	<p>Stiskněte tlačítko pro odložení spuštění programu až o 24 hodin. Pokud je zapnutý, rozsvítí se kontrolka ().</p>
<p>4 Alt</p>	<p>Stiskněte tlačítko pro výběr mytí pouze v horním nebo v dolním koši, nebo v obou najednou. Rozsvítí se kontrolky ( ).</p>
<p>5 Start/Pauza</p>	<p>Stiskněte toto tlačítko pro spuštění vybraného mycího programu nebo pozastavení programu.</p>
<p>6 Možnost</p>	<p> Turbo rychlost+ S touto možností bude doba provozu zkrácena o 15 % až 50 % v závislosti na zvýšení teploty a rychlosti otáček motoru. Nelze ji zvolit současně s programy Auto, Rychlé mytí 35 min a Předmývání. Automatické mytí nelze rovněž spustit, pokud je zkombinováno s automatickým otevřením.</p> <p> Tlakové mytí Tato možnost může být použita pro čištění lahví umístěných do příslušné části horního koše. Tuto možnost nelze zvolit současně s programy Auto, Mytí a sušení 55 min, Předmývání a Autočištění.</p>

Zobrazení

6 Možnost	 <p>Extra sušení Tato možnost umožňuje zvýšit teplotu posledního oplachování a pro zvýšení účinku prodloužit dobu sušení. Nelze ji zvolit současně s programy ECO, Hygiena 72°, Tichý a 90 min.</p>  <p>Automatické otevření Dvířka myčky se automaticky otevřou na konci programu pro lepší výsledek sušení. Automatické otevření je součástí továrního nastavení. Pokud dojde k jeho vypnutí, výběr zůstává stejný, i když je myčka nádobí vypnutá. Tuto možnost nelze zvolit současně s programy Rychlé mytí 35 min, Předmývání a Autočištění.</p>
7 Varovné kontrolky	 <p>Leštidlo Pokud svítí kontrolka « ❄ », znamená to, že je v myčce málo leštidla a je potřeba ho doplnit.</p>  <p>Sůl Pokud svítí kontrolka « ↻ », znamená to, že je v myčce málo soli a je potřeba ji doplnit.</p>  <p>Kohoutek Pokud svítí kontrolka « 🚰 », znamená to, že je vodovodní kohoutek uzavřen.</p>
8 Ostatní kontrolky	 <p>Mytí pouze v horním koši Pokud zvolíte Horní, bude probíhat mytí nádobí pouze v horním koši. Systém ostřikování dolního koše nebude v chodu.</p>  <p>Mytí pouze v dolním koši Pokud zvolíte Dolní, bude probíhat mytí nádobí pouze v dolním koši. Systém ostřikování horního koše nebude v chodu.</p>  <p>Současné mytí v horním i dolním koši  Pokud zvolíte obě možnosti, bude probíhat mytí nádobí v horním a dolním koši. Bude střídavě probíhat ostřikování horního nebo dolního koše, nebo obou zároveň.</p>

Zobrazení

9 Displej



Zobrazení zbývající doby programu, teploty mytí, doby pro spuštění odloženého startu, chybových kódů, atd.

10 Ukazatel spotřeby



Úroveň spotřeby vody

Ukazatel spotřeby vody ukazuje úroveň spotřeby vody u zvoleného programu. Čím vyšší je počet vyobrazených čárek, tím vyšší je spotřeba vody.



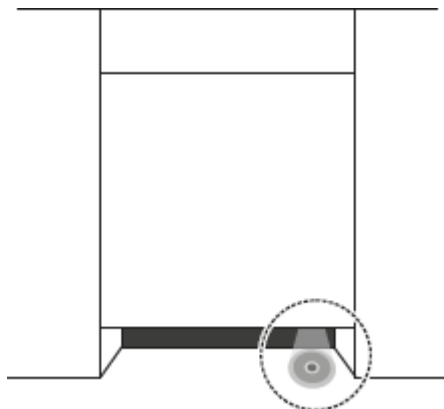
Spotřeba energie

Ukazatel spotřeby energie ukazuje úroveň spotřeby energie u zvoleného programu. Čím vyšší je počet vyobrazených čárek, tím vyšší je spotřeba energie.

POZNÁMKA:

Fungování světelné kontrolky

Světelná kontrolka se rozsvěcí během mycího programu, pak 5 minut bliká a zhasne na konci programu.



Změkčovač vody

Změkčovač vody musí být nastaven ručně pomocí kolečka pro volbu tvrdosti vody.

Úkolem změkčovače je odstraňovat z vody minerály a soli, které mohou narušit správný chod spotřebiče.

Čím víc minerálů, tím je voda tvrdší. Pokud myčka nádobí používá tvrdou vodu, budou se na nádobí vytvářet usazeniny.

Změkčovač musí být nastaven podle tvrdosti vody ve vašem regionu. Místní vodohospodářský úřad vám ohledně tvrdosti vody ve vaší oblasti poradí.



POZNÁMKA:

Pokud není vaše myčka vybavena změkčovačem vody, můžete tuto část přeskočit.

Nastavení spotřeby soli

Myčka je navržena tak, aby umožňovala úpravu množství spotřebované soli na základě tvrdosti použité vody. Tato funkce umožňuje optimalizaci a osobní nastavení úrovně spotřeby soli.

Myčka musí být nastavena podle tvrdosti vody ve vaší oblasti. Ovlivní se tak spotřeba soli ve vaší myčce.

Pro nastavení změkčovače vody postupujte podle následujících kroků:

1. Otevřete dvířka a zapnete spotřebič.
2. V následujících 60 vteřinách podržte tlačítko automatického čištění stisknuté po dobu 5 vteřin - zobrazí se režim nastavení změkčovače vody.
3. Znovu stisknete tlačítko automatického čištění a zvolte nastavení odpovídající tvrdosti vody ve vaší oblasti. Nastavení se zobrazuje v následujícím pořadí:
H1->H2->H3->H4->H5->H6;
4. Stisknete tlačítko On/Off pro uložení a ukončení nastavení.

TVRDOST VODY				Úroveň změkčovače vody	Obnovení probíhá každých X sekvencí programu1)	Spotřeba soli (gram/cyklus)
°dH (Německá stupnice)	°fH (Francouzská stupnice)	°Clarke (stupnice Spojeného království)	mmol/l			
0 - 5	0 - 9	0 - 6	0 - 0,94	H1	Bez obnovy	0
6 - 11	10 - 20	7 - 14	1,0 - 2,0	H2	10	9
12 - 17	21 - 30	15 - 21	2,1 - 3,0	H3	5	12
18 - 22	31 - 40	22 - 28	3,1 - 4,0	H4	3	20
23 - 34	41 - 60	29 - 42	4,1 - 6,0	H5	2	30
35 - 55	61 - 98	43 - 69	6,1 - 9,8	H6	1	60

Tovární nastavení je H3

- 1) Každý cyklus s obnovením spotřebuje 3,0 litrů vody navíc, spotřeba energie se zvýší o 0,02 kWh a program se prodlouží o 4 minuty.



Přečtěte si prosím část 3 „Přidání soli do změkčovače“ v ČÁSTI I: Obecné pokyny, pokud ve vaší myčce chybí sůl.

Příprava a plnění nádobí

- Nezapomeňte si pořizovat nádobí a náčiní, které je vhodné do myčky nádobí.
- Pro křehké předměty zvolte program s nejnižší možnou teplotou.
- Abyste předešli poškození, nevyjímejte sklo a nádobí z myčky ihned po ukončení programu.

Tato myčka nádobí byla navržena pro mytí a sušení běžného kuchyňského nádobí a náčiní. Některé předměty přesto nelze v myčce umývat

Níže uvedené předměty jsou nevhodné a během mytí hrozí jejich poškození:

- Příbory ze dřeva, z porcelánu nebo z perleti.
- Plastové předměty, které nejsou odolné vůči vysokým teplotám.
- Starší příbory s lepenými díly, které nejsou tepelně odolné.
- Lepené příbory nebo nádobí.
- Cínové nebo měděné předměty.
- Křišťálové sklo.
- Ocelové předměty, které podléhají korozi.
- Podnosy ze dřeva.
- Předměty ze syntetických vláken.

Vezměte na vědomí následující skutečnosti:

- Některé typy skla se po určitém počtu mytí mohou zakalit.
- Části ze stříbra a z hliníku mají při mytí sklon k vyblednutí.
- Vzory na skle mohou zcela vyblednout, pokud jsou umývány v myčce nádobí často.

Doporučení pro plnění myčky

Z talířů a příborů odstraňte velké zbytky jídla. Zbytky připáleného jídla v hrncích, pánvích a kastrolích odmočte. Nádobí není nutné před mytím oplachovat pod tekoucí vodou.

Chcete-li dosáhnout optimálního výkonu myčky, postupujte podle následujících pokynů.

(Funkce a vzhled košů a košíku na příbory se mohou lišit podle modelu.)

- Předměty, jako jsou šálky, sklenice, hrnce, pánve atd., musí být otočeny dolů.
- Zakřivené předměty nebo předměty s výztuhami musí být vloženy zešikma, aby z nich mohla vytékat voda.
- Veškeré nádobí musí být naskládáno stabilně, aby se nemohlo převrhnout.
- Veškeré nádobí musí být umístěno tak, aby se ostříkovací ramena mohla během mytí volně otáčet. Otáčení ostříkovacích ramen zkontrolujte před spuštěním programu.
- Talíře a příbory nesmí být naskládány na sebe nebo se navzájem překrývat.
- Nádobí do sebe nesmí zapadat nebo se navzájem překrývat z toho důvodu, aby se voda dostala na všechny plochy.
- Horní koš je určený pro křehké a lehké nádobí, jakými jsou sklenice a šálky.
- Špičaté nože a nože s dlouhou čepelí, umístěné ostrou částí nahoru, mohou být nebezpečné.
- Dlouhé nebo ostré příbory, jako jsou nože na porcování masa, musí být umístěny vodorovně v horním koši.
- Dbejte na to, abyste myčku nepřetěžovali. Je to důležité pro dobré výsledky i pro optimální spotřebu energie.



POZNÁMKA:

Velmi malé předměty by neměly být v myčce umývány, protože by mohly z košů snadno vypadnout.

Vyjmutí nádobí

Abyste voda z horního koše nestékala do dolního koše, doporučujeme nejdříve vyprázdnit dolní koš.



VAROVÁNÍ



Nádobí může být velmi horké! Abyste předešli poškození, vyjímejte sklo a křehké předměty z myčky až po jejím vychladnutí.

Plnění horního koše

Horní koš je určen pro křehčí a lehčí předměty, jako jsou sklenice, šálky, podšálky, talíře, malé misky nebo mělké pánve a hrnce.

Umístěte nádobí a kuchyňské náčiní tak, aby se nemohlo vlivem stříkající vody pohybovat.



Plnění dolního koše

Do dolního koše doporučujeme umístit velké předměty a předměty, které se obtížně umývají: hrnce, pánve, pokličky, servírovací nádobí a misky, jak je znázorněno na obrázku níže.

Servírovací nádobí a pokličky je vhodné umístit na stranu, aby se zabránilo zablokování otáčení horního ostřikovacího ramene.



Plnění příborové zásuvky

Příbory musí být umístěny do příborové zásuvky a nesmí se překrývat.

Zkontrolujte, zda příbory do sebe nezapadají, čímž by se mohla snížit účinnost mytí.



Pro optimální mytí a sušení si přečtěte možnosti standardního plnění v závěru ČÁSTI I: Všeobecné pokyny

Funkce mycího prostředku a leštidla

Funkce mycího prostředku

Chemické složky, které tvoří mycí prostředek, jsou nezbytné k rozložení a odstranění všech nečistot z myčky nádobí. Pro tento účel je vhodná většina běžně dostupných mycích prostředků.

VAROVÁNÍ

- Používejte pouze speciální mycí prostředky pro použití v myčkách nádobí. Mycí prostředek vždy skladujte na čistém a suchém místě.
- Do dávkovače vkládejte mycí prostředky až před mytím nádobí.



**Mycí prostředky pro myčky nádobí jsou korozivní!
Uchovávejte tyto mycí prostředky mimo dosah dětí.**

Funkce leštidla


Leštidlo se uvolňuje ve fázi závěrečného oplachování, aby voda netvořila kapičky na nádobí a nezanechávala na něm stopy. Zlepšuje se tím také sušení, protože umožňuje odkapávání vody z nádobí. Myčka je navržena pro použití tekutého leštidla.

Kdy doplnit leštidlo do zásobníku?

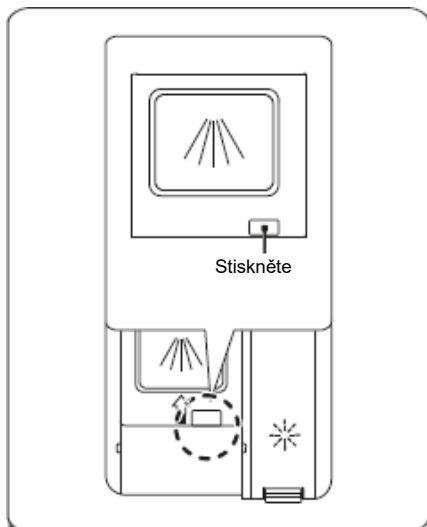
VAROVÁNÍ

Nikdy neplňte zásobník na leštidlo jinými prostředky (např. přípravkem na čištění myčky, tekutým mycím přípravkem). Mohlo by dojít k poškození spotřebiče.

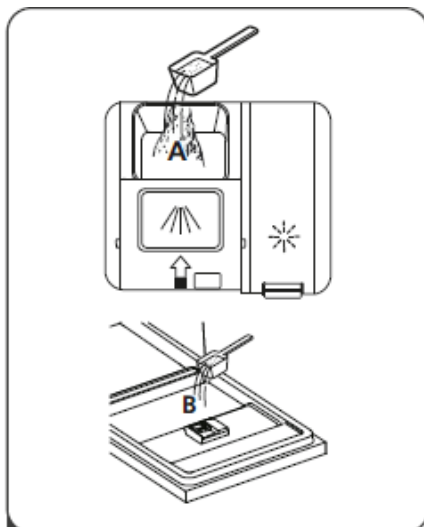
Téměř většina programů používá k závěrečnému oplachování leštidlo. Četnost plnění zásobníku na leštidlo závisí na frekvenci používání myčky a nastavení leštidla.

Ukazatel nízké hladiny leštidla () se rozsvítí, když je nutné leštidlo doplnit. Nepřelévejte leštidlo nad stanovený limit.

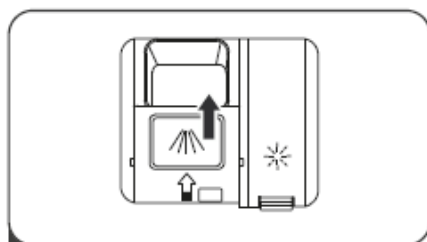
Plnění zásobníku na mycí prostředek



- 1** Stiskněte uvolňovací západku a otevřete víčko.



- 2** Přidejte mycí prostředek do největší přihrádky (A) pro hlavní mycí cyklus. Pro lepší výsledek čištění, zejména pokud máte velmi špinavé nádoby, nalijte malé množství prostředku přímo na dvířka (B). Další mycí prostředek bude použit pro fázi předmytí.

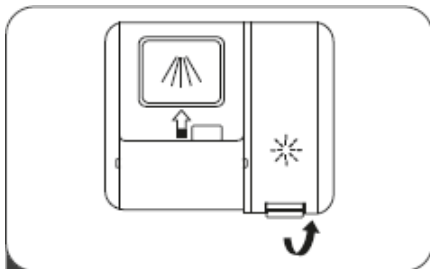


- 3** Zavřete víčko tak, že ho posunete dopředu a pak stlačíte směrem dolů.

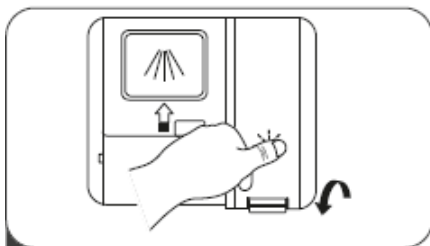
POZNÁMKA:

- Dodržujte doporučení výrobce, uvedená na obalu mycího prostředku.

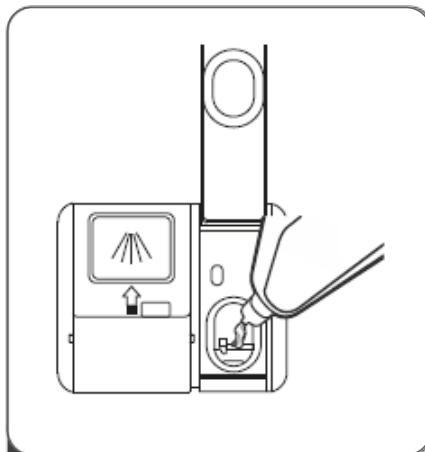
Plnění zásobníku na leštidlo



- 1** Nadzvedněte úchytku a otevřete víčko zásobníku.



- 3** Naplňte zásobník a dobře víčko uzavřete.



- 2** Nalijte leštidlo do zásobníku a dávejte pozor, abyste ho nepřelili. Rozlité leštidlo musíte setřít pomocí hadříku.

Nastavení leštidla

Množství leštidla použitého při konečném oplachování může být nastaveno následujícím způsobem:

1. Otevřete dvířka a zapněte spotřebič.
2. V následujících 60 vteřinách podržte tlačítko automatického čištění stisknuté po dobu 5 vteřin, pak stiskněte tlačítko Odložený start - zobrazí se režim nastavení leštidla. Kontrolka leštidla začne blikat.
3. Znovu stiskněte tlačítko Autočištění a zvolte nastavení podle vlastní potřeby. Nastavení se zobrazuje v následujícím pořadí: D1->D2->D3->D4->D5->D1; Čím vyšší je číslo, tím více leštidla myčka použije. Tovární nastavení je D3.
4. Jakmile nastavíte požadované nastavení, vyčkejte 5 vteřin nebo stiskněte tlačítko On/Off, zvolené nastavení se uloží a režim nastavování se ukončí.




VOLBA PROGRAMU




Tabulka programů

V tabulce nalezte různé informace o jednotlivých programech.

Hodnoty spotřeby a délka programu jsou pouze informativní, vyjma programu ECO.

(●) udává, že program při posledním opláchnutí použije leštidlo.

Program	Popis cyklu	Mycí prostředek předmytí/hlavní cyklus	Doba (min)	Energetická spotřeba (kWh)	Voda (l)	Leštidlo
ICS+ ICS+	Předmytí (45 °C) Mytí (55- 65 °C) Oplachování Oplachování (50-60 °C) Sušení	$\frac{5/19 \text{ g}}{(1 \text{ nebo } 2 \text{ tablety})}$	102-175	0,930-1,470	10,3- 16,9	●
H+ Hygiena 72°	Předmytí Mytí (72 °C) Oplachování Oplachování Oplachování (72 °C) Sušení	$\frac{5/19 \text{ g}}{(1 \text{ nebo } 2 \text{ tablety})}$	225	1,925	16,7	●
 Tichý	Předmytí Mytí (60 °C) Oplachování Oplachování Oplachování (50 °C) Sušení	$\frac{5/19 \text{ g}}{(1 \text{ nebo } 2 \text{ tablety})}$	230	1,330	16,7	●
ECO (*EN60436)	Mytí (50 °C) Oplachování Oplachování (45 °C) Sušení	$\frac{24 \text{ g}}{(1 \text{ nebo } 2 \text{ tablety})}$	205	0,769	9,5	●
 90 min	Předmytí Mytí (0) Oplachování Oplachování (50 °C) Sušení	$\frac{5/19 \text{ g}}{(1 \text{ nebo } 2 \text{ tablety})}$	90	0,940	13,6	●
 Mytí a sušení 55 min	Mytí (60 °C) Oplachování Oplachování (50 °C) Sušení	$\frac{24 \text{ g}}{(1 \text{ tableta})}$	55	0,795	11,3	●

Program	Popis cyklu	Mycí prostředek předmytí/hlavní cyklus	Doba (min)	Energetická spotřeba (kWh)	Voda (l)	Leštidlo
 Rychlé mytí 35 min	Mytí (55 °C) Oplachování Oplachování (45 °C)	$\frac{18 \text{ g}}{(1 \text{ tableta})}$	35	0,690	11,3	○
 Předmývání	Předmývání	/	14	0,120	3,9	○
 Autočištění	Mytí (70 °C) Oplachování Oplachování (55 °C)	$\frac{24 \text{ g}}{(1 \text{ tableta})}$	115	1,245	11,7	●



POZNÁMKA:

ECO: Program ECO je vhodný k mytí běžně znečištěného nádobí. Jedná se o neefektivnější program z hlediska spotřeby energie a vody, který je v souladu s evropskou legislativou (EN60436) o ekodesignu.

Doba automatického otevření

Možnost	Program	Doba (min)								
		ICS+	Hygiena 72°	Tichý	ECO	90 min	Mytí a sušení 55 min	Rychlé mytí 35 min	Předmytí	Autočištění
S automatickým otevřením		102-175	225	230	205	90	55	/	/	/
Bez automatického otevření		121-189	239	264	220	90	55	35	14	115

POZNÁMKA: Možnost automatického otevření nelze zvolit současně s programy Rychlé mytí 35 min, Předmývání a Autočištění.

Úspory energie

1. Předmytí nádobí nedoporučujeme, protože zvyšuje spotřebu vody a energie.
2. Mytí nádobí v myčce pro domácí použití obecně spotřebovává méně energie a vody než ruční mytí, pokud je myčka používána podle pokynů.

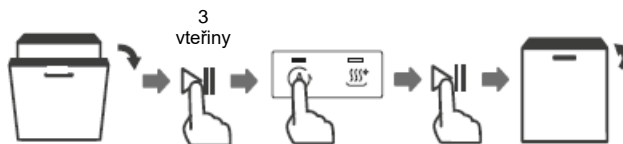
Spuštění programu

1. Vysuňte horní a dolní koš, vložte nádobí a zasuňte je zpět.
2. Do zásobníku přidejte mycí prostředek.
3. Zapojte spotřebič do elektrické sítě.
Zkontrolujte, zda je přívod vody zcela otevřený.
4. Otevřete dvířka a stiskněte tlačítko On/Off.
5. Vyberte program a stiskněte tlačítko On. Zavřete dvířka. Myčka spustí program.

Jak změnit program v průběhu mycího cyklu

Mycí cyklus lze změnit pouze v případě, že byl spuštěn pouze krátkou dobu, jinak může být mycí prostředek již uvolněný, nebo myčka již mohla vypustit vodu obsahující mycí prostředek. V takovém případě musíte myčku znovu nastavit a znovu vložit do zásobníku mycí prostředek. Chcete-li myčku znovu nastavit, postupujte podle následujících pokynů:

1. Pootevřete dvířka, aby došlo k pozastavení cyklu. Jakmile dojde k úplnému zastavení ostříkovacího ramene, můžete dvířka otevřít úplně.
2. Podržte tlačítko On/Off stisknuté déle než tři vteřiny, aby se myčka nastavila do režimu volby programu.
3. Program můžete změnit volbou požadovaného cyklu.
4. Stiskněte tlačítko On/Off, zavřete dvířka a myčka se znovu uvede do chodu.



Zapomněli jste vložit nějaké nádobí?

Nádobí můžete přidávat kdykoliv před otevřením zásobníku na mycí prostředek. Pokud chcete přidat nádobí, postupujte podle následujících pokynů:

1. Pootevřete dvířka, aby se zastavilo mytí.
2. Jakmile dojde k úplnému zastavení ostříkovacího ramene, můžete dvířka otevřít úplně.
3. Vložte zapomenuté nádobí do spotřebiče.
4. Zavřete dvířka.
5. Myčka se znovu uvede do chodu.



VAROVÁNÍ

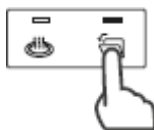


Je nebezpečné otevírat dvířka v průběhu cyklu, protože může uniknout horká pára a způsobit opaření.

Automatické otevření

Pro lepší výsledek sušení a snížení spotřeby energie ve fázi sušení se na konci programu dvířka otevřou automaticky

Můžete stisknout tlačítko Automatické otevření pro aktivaci nebo deaktivaci možnosti automatického otevření.



POZNÁMKA:

Pokud je myčka nastavená na automatické otevření, nesmí dvířka nic blokovat. Mohlo by dojít k poškození mechanismu zavírání dvířek.

KÓDY PORUCH

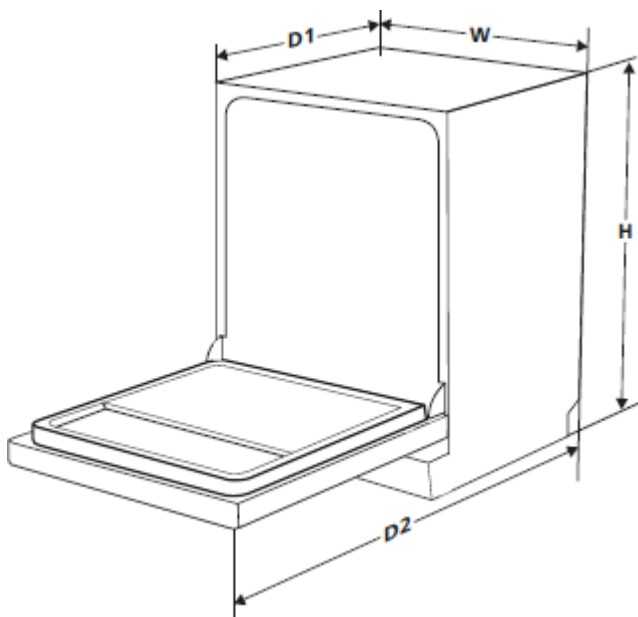
Pokud dojde k poruše, myčka zobrazí kód poruchy. V následující tabulce jsou uvedeny kódy možných poruch a jejich příčiny.

Kód	Význam	Možná příčina
E1	Dlouhá doba napouštění vody	Kohout je zavřený, přívod vody je zablokovaný nebo je velmi nízký tlak vody
E3	Nedosažení požadované teploty	Porucha topného tělesa
E4	Z myčky uniká voda	Některá součást myčky netěsní
Ec	Porucha řídicího systému myčky	Porucha DPS, vypouštěcího čerpadla nebo motoru
Ed	Chyba komunikace mezi hlavní elektronickou kartou a elektronickou kartou zobrazení	Rozpojený obvod nebo zkrat komunikace.

VAROVÁNÍ

- V případě úniku vody z myčky zastavte přívod vody a zavolejte opraváře.
- Pokud je v mycí vaně voda z důvodu přeplnění nebo malého úniku, před opětovným spuštěním vodu z myčky odstraňte.
- Pokud nedojde k vyřešení některého kódu poruchy, obraťte na servisní středisko.

TECHNICKÉ INFORMACE



Výška (H)	857 mm
Šířka (W)	598 mm
Hloubka (D1)	550 mm (zavřená dvířka)
Hloubka (D2)	1226 mm (dvířka otevřená na 90°)

PŘÍSTUP DO DATABÁZE

Pro přístup k informacím týkajícím se vašeho modelu, uložených v databázi výrobků v souladu s nařízením (UE) 2019/2017 o označování energetickými štítky, vyhledejte internetovou stránku: <https://eprel.ec.europa.eu/>

Na internetové stránce zadejte referenční číslo služby uvedené na typovém štítku vašeho výrobku a vyhledejte reference o vašem výrobku.

Dalším prostředkem pro přístup k informacím je načtení QR kódu z energetického štítku spotřebiče.

FR Záruční a pozáruční ser

Veškeré práce spojené s údržbou musí být provedeny:

- vaším prodejcem nebo
- jiným kvalifikovaným technikem, který má výhradní zastoupení značky.

Pro objednání služeb si připravte veškeré reference vašeho spotřebiče (model, typ a sériové číslo). Tyto informace naleznete na typovém štítku na vašem spotřebiči.

INFORMACE:

Minimální doba dostupnosti náhradních dílů, uvedená v evropském nařízení 2019-2022-UE a dostupných zejména pro uživatele spotřebiče, je 10 let za podmínek uvedených v tomtéž nařízení.

PŘÍSTUP K DATABÁZI

Pro přístup k informacím týkajícím se vašeho modelu, uložených v databázi výrobků v souladu s nařízením (UE) 2019/2017 o označování energetickými štítky, vyhledejte internetovou stránku:

<https://eprel.ec.europa.eu/>

Na internetové stránce zadejte referenční číslo služby uvedené na typovém štítku vašeho spotřebiče a vyhledejte reference o vašem spotřebiči.

Dalším prostředkem pro přístup k těmto informacím je načtení QR kódu z energetického štítku spotřebiče.

Záruční a pozáruční servis

• OPRAVY

Případné opravy na vašem spotřebiči musí provádět kvalifikovaný odborník s výhradním zastoupením značky. Při telefonickém kontaktu uveďte veškeré reference k vašemu spotřebiči (model, typ, sériové číslo). Tyto informace se nacházejí na typovém štítku a můžete nás kontaktovat od pondělí do soboty od 8.00 do 20.00 hod. na telefonním čísle 06 69 39 34 34 (služba zdarma + cena hovoru).

• ORIGINÁLNÍ NÁHRADNÍ DÍLY



Brandt France, Service
Spotřebitelé - **De Dietrich** –
5 avenue des Béthunes, BP 69526
St Ouen L'Aumône, 95060 Cergy
Pontoise Cedex

> nebo zatelefonovat na:

De Dietrich: 0892.02.88.04*

0,50 včetně daně / min. z pevné linky

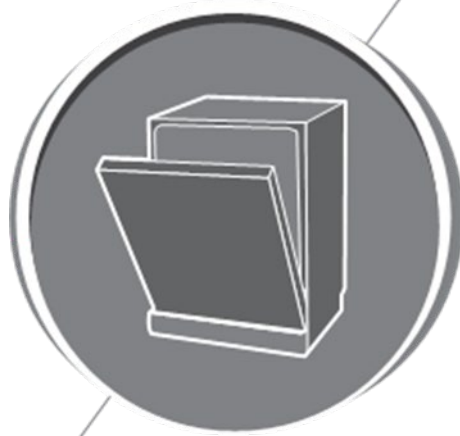
* Služba zajišťovaná Brandt France, société par actions simplifiée au capital de 1,000.000€, 89/91 boulevard Franklin Roosevelt, 92500 Rueil-Malmaison - RCS Nanterre 801 250 531

Brandt France, Société par Actions Simplifiée, au capital social de 1.000.000€, se sídlem 89/91 boulevard Franklin Roosevelt, 92500 Rueil-Malmaison, zapsaná v živnostenském rejstříku Nanterre 801.250.531.

INFORMACE:

Minimální doba dostupnosti náhradních dílů, uvedená ve výpisu z evropského nařízení 2019-2022-EU a dostupných zejména pro uživatele spotřebiče, je 10 let za podmínek uvedených v tomtéž nařízení.

De Dietrich 



Opvaskemaskine

Brugsanvisning

DEL I: Generelle retningslinjer

Læs denne brugsanvisning omhyggeligt, før du bruger din opvaskemaskine. Opbevar denne brugsanvisning til senere brug.

INDHOLDSFORTEGNELSE

01	3	<u>SIKKERHEDSREGLER</u>
02	8	BESKRIVELSE AF MASKINEN
03	9	BRUG AF DIN OPVASKEMASKINE
	9	Påfyldning af salt i enhed til blødgøring af vand
	11	Tips til fyldning af kurvene
	13	Stor multifunktionel holder til køkkenredskaber
04	14	VEDLIGEHODELSE OG RENGØRING
	14	Udvendig vedligeholdelse
	14	<u>Indvendig vedligeholdelse</u>
	17	Vedligeholdelse af opvaskemaskine
	18	INSTALLATIONSVEJLEDNING
05	18	A propos den elektriske tilslutning
	19	Vandforsyning og udtømning
	20	Tilslutning af udtømningsslange
	21	Placering af maskinen
	21	Indbygning (for den indbyggede model)
06	25	FEJLFINDINGSTIPS
07	28	Tilgængelighed af reservedele
	29	FYLDNING AF KURVENE



- Se afsnittet om fejlfindingstips: Det vil hjælpe dig til selv at løse visse almindelige problemer.
- Hvis du ikke selv kan løse problemet, kan du kontakte en autoriseret tekniker.
- I overensstemmelse med fabrikantens politik om løbende produktudvikling og -opdatering kan producenten foretage ændringer uden varsel.

SIKKERHEDSREGLER

⚠ ADVARSEL

Under brug af opvaskemaskinen skal du følge forholdsreglerne nedenfor:

- Kun en kvalificeret tekniker må installere og reparere maskinen
- Denne maskine er udelukkende beregnet til husholdningsbrug og lignende anvendelser som f.eks:
 - Personalekøkkenområder i butikker, kontorer og andre arbejdspladssomgivelser;
 - på landbrug;
 - af kunder på hoteller, moteller og andre boligmæssige omgivelser;
 - omgivelser af typen 'Bed and breakfast'.
- Denne opvaskemaskine kan anvendes af børn fra 8 år og derover, af personer med reducerede fysiske, sensoriske eller mentale kapaciteter eller mangel på erfaring og viden, hvis de er blevet overvåget og har fået instruktion angående brugen af opvaskemaskinen på sikker måde, og hvis de forstår de potentielle farer ved brugen.
- Børn må ikke lege med maskinen. Rengøring og vedligeholdelse må ikke udføres af børn uden overvågning. (for EN 60335-1)
Denne maskine kan bruges af personer (inklusive børn) med nedsat fysisk, sensorisk eller mental kapacitet, eller af personer som er uden erfaring eller kendskab, hvis de er under opsyn eller har fået forudgående instruktion i brugen af apparatet på en sikker måde.
- Emballagematerialet kan være farligt for børn!

- Denne opvaskemaskine er kun til husholdningsbrug. Nedsænk ikke opvaskemaskinen, ledningen eller stikket i vand eller enhver anden væske, da der er risiko for at få elektriske stød.
- Tag stikket ud før rengøring og anden vedligeholdelse på opvaskemaskinen.
- Hvis el-kablet beskadiges, skal det udskiftes af fabrikanten eller en godkendt reparatør eller en lignende kvalificeret person for at undgå enhver fare.



Instruktioner om jordforbindelse

- Denne opvaskemaskine skal være tilsluttet til en jordforbindelse. Hvis der opstår en fejlfunktion eller driftsfejl, kan jordforbindelsen reducere risikoen for at få elektrisk stød, idet den afleder den elektriske strøm. Denne opvaskemaskine er udstyret med et stik med jordforbindelsen.
- Stikket skal sættes til en passende kontakt med jordforbindelse, der er installeret i overensstemmelse med de lokale bestemmelser og regler.
- En ukorrekt forbindelse af udstyrets stik med jordforbindelse kan medføre risiko for elektrisk stød.
- Hvis du er i tvivl, så lad en godkendt elektriker eller servicetekniker kontrollere, om maskinen har korrekt jordforbindelse.
- Du må ikke ændre stikket, der følger med maskinen, hvis det ikke passer til stikkontakten.
- Hvis det ikke passer til stikkontakten, skal du i stedet få installeret et korrekt stik af en kvalificeret elektriker.
- Du må ikke beskadige opvaskemaskinen eller sidde eller stå på dens servicehylde eller på lågen.

- Du må ikke betjene opvaskemaskinen, medmindre alle afskærmninger er korrekt på plads.
- Du skal åbne lågen meget forsigtigt, hvis opvaskemaskine er i gang, da der er risiko for, at der kommer vand ud.
- Der må ikke sættes tunge genstande på lågen, og du må heller ikke stå på lågen, når den er åben. Maskinen kan tippe forover.
- Når du sætter ting i opvaskemaskine:
 - 1) Placér skarpe genstande, så de ikke kan ødelægge lågens forsegling;
 - 2) Advarsel: Knive og andre redskaber med skarpe spiser skal lægges i kurven med spidsen vendende nedad eller placeres i vandret position.
- Visse maskinopvaskemidler er meget ætsende! De kan være yderst farlige, hvis de indtages. Undgå hud- og øjenkontakt, og hold børn væk fra opvaskemaskinen, når lågen er åben.
- Kontroller ved afslutningen af vaskecyklussen, at der ikke er nogen spor af vaskemiddel tilbage.
- Du må ikke opvaske plastelementer, medmindre de er markeret med "dishwasher safe" (tåler opvaskemaskine) el.lign.
- For plastelementer uden nogen markering kan du se producentens anbefalinger.
- Brug kun de opvaskemidler og skyllemidler, der er anbefalet til brug i automatiske opvaskemaskiner.
- Brug aldrig sæbe, vaskepulver eller håndopvaskemiddel i din opvaskemaskine.
- Lågen må ikke efterlades åben, da det kan øge risikoen for, at maskinen tipper forover.
- Under installationen må elforsyningsledningen ikke bøjes eller klemmes for meget.
- Du må ikke ændre betjeningsanordningerne.

- Opvaskemaskinen skal sluttes til vandforsyningensventilen ved brug af et nyt sæt slanger. Gamle slanger må ikke genbruges.
- For at spare energi slukker maskinen automatisk, når det er i standbytilstand, hvis der ikke foretages nogen betjening i 15 minutter.
- Dette produkt har en maksimal kapacitet på 16 kuverter.
- Trykket på indgangsvandet skal være lig med 0,04-1 MPa.

Bortskaffelse

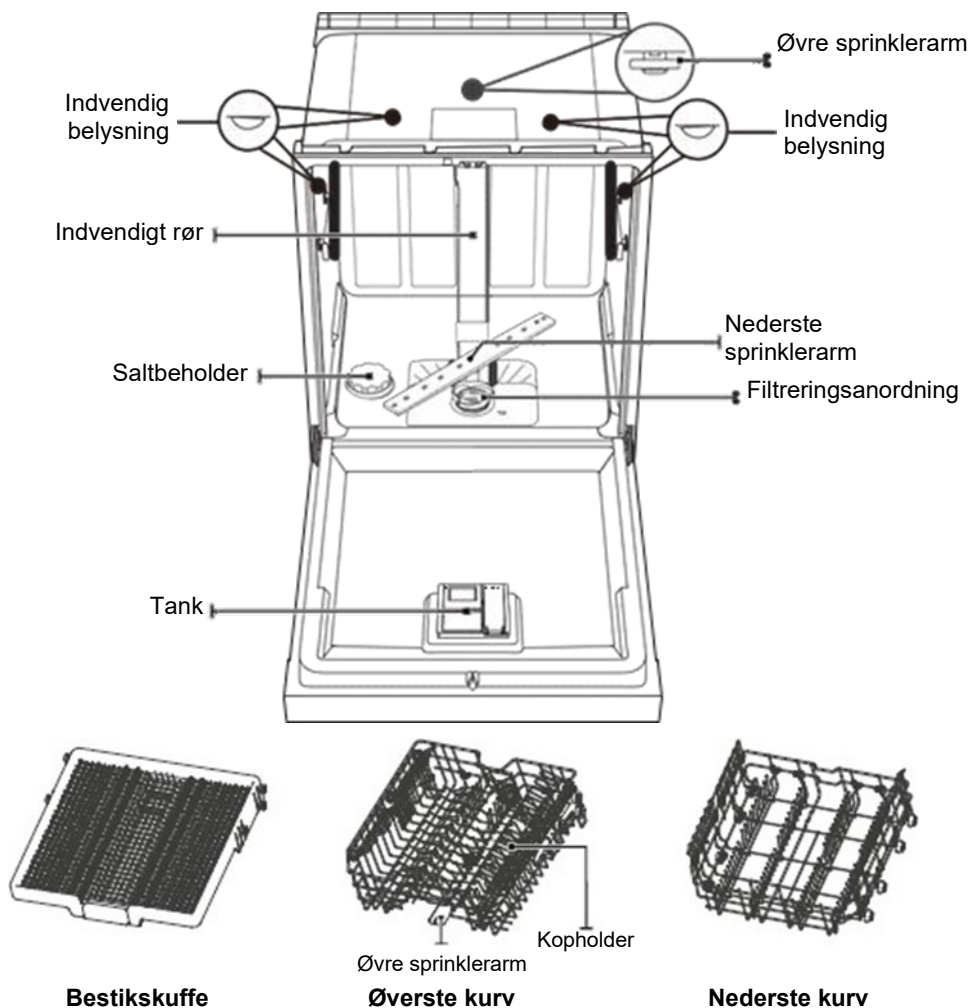
- For bortskaffelse af emballagen og maskinen bedes du henvende dig på din genbrugsplads.
Før du gør det, skal du klippe maskinens strømforsyningsledning over og gøre det umuligt at lukke lågen helt.
- Kartonemballagen er fremstillet af genbrugspapir og skal bortskaffelse i containeren for indsamling af papir til genbrug.
- Hvis du sørger for, at dette produkt bliver bortskaffet på korrekt vis, bidrager du til at beskytte miljøet og menneskers sundhed, ved at sørge for at det bliver behandlet på optimal måde.
- For flere oplysninger om genbrug af dette produkt bedes du kontakte det lokale kommunekontor eller renovations servicen for husholdningsaffald.
- **BORTSKAFFELSE: Dette produkt må ikke bortskaffes som usorteret kommunalt affald. Det er nødvendigt med separat indsamling af denne maskine til speciel behandling.**



BESKRIVELSE AF MASKINEN

❶ VIGTIGT:

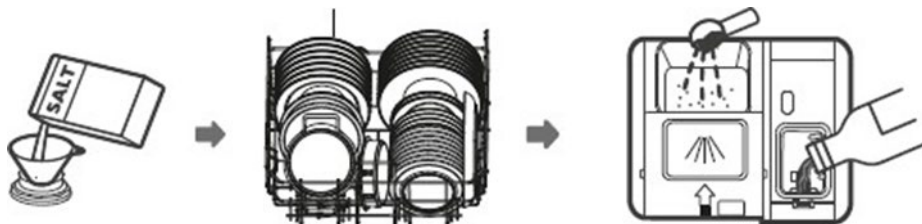
For at få den bedste ydelse ud af opvaskemaskinen skal du læse hele betjeningsvejledningen, før du bruger maskinen første gang.



Illustrationerne er kun vejledende, de enkelte modeller kan variere.

BRUG AF DIN OPVASKEMASKINE

Før du bruger din opvaskemaskine:



1. Udfør indstilling for vandets hårdhed
2. Påfyld salt i enhed til blødgøring af vand
3. Fyld kurvene
4. Fyld maskinopvaskemidlet i rummet hertil



Se afsnit 1 "Enhed til blødgøring af vand" i DEL II/Specifikke instruktioner for indstilling af enhed til blødgøring af vand.

Påfyldning af salt i enhed til blødgøring af vand

Hvis din model ikke har en enhed til blødgøring af vand, kan du springe dette over. Brug salt, der er til opvaskemaskine.

Saltbeholderen er under den nederste kurv, og skal fyldes, som forklaret i det følgende:

⚠ ADVARSEL

- **Der må kun bruges salt, der er specielt beregnet til brug for opvaskemaskiner!**

Enhver anden type salt, der ikke er specielt beregnet til opvaskemaskine, og især bordsalt, vil beskadige enheden til blødgøring af vand. Hvis maskinen beskadiges som følge af brug af uegnet salt, yder producenten ingen garanti og kan ikke holdes ansvarlig for eventuelle skader.

- **Påfyld kun salt lige før start af et komplet opvaskeprogram.**

Dette forhindrer, at saltkorn eller saltvand, der eventuelt er blevet hældt i ved siden af, bliver liggende i bunden af maskinen i længere tid, hvilket kan føre til overfladerust.

Følg nedenstående fremgangsmåde for at tilsætte det specielle opvaskesalt til opvaskemaskinen:



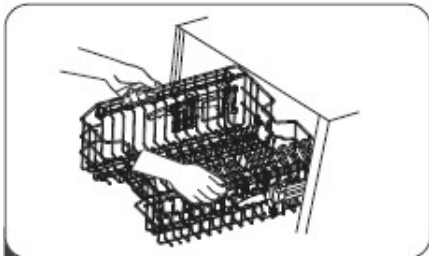
1. Fjern den nederste kurv, og skru tankdækslet af.
2. Sæt enden af tragten (hvis den medfølger) i hullet, og hæld ca. 0,6 kg opvaskemaskinesalt i.
3. Fyld saltbeholderen med vand til det maksimale niveau. Det er normalt, at en lille mængde vand kommer ud af saltbeholderen.
4. Når beholderen er fuld, skrues dækslet godt på igen.
5. Når saltbeholderen er fuld, slukker advarselslampen for salt.

BEMÆRK:

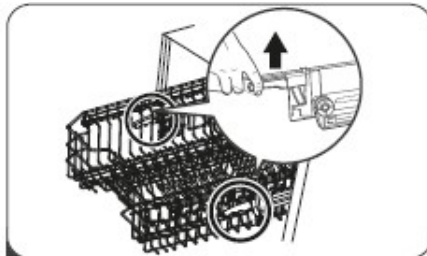
- Saltbeholderen må kun påfyldes, når indikatoren for manglende salt (S) tænder på betjeningspanelet. Afhængigt af hvor godt saltet bliver opløst, kan indikatoren for manglende salt stadig være tændt, selv om beholderen er fyldt op. Hvis kontrolpanelet ikke har en advarselsslampe for salt (på nogle modeller), kan du bestemme, hvornår du vil påfylde salt til enheden for blødgøring af vand ud fra antallet af cyklusser, som opvaskemaskinen har udført.
- Hvis der er spildt salt ved siden af, skal du køre et ibrødsætningsprogram eller et kort program for at fjerne det.

Tips til fyldning af kurvene

Indstilling af øverste kurv



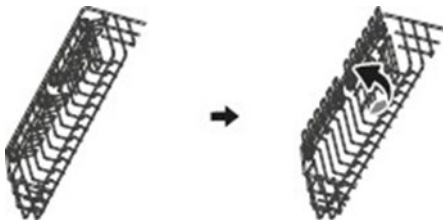
1 For at hæve den øverste kurv skal du blot løfte den fra midten af hver side, indtil den låses på plads i høj position. Det er ikke nødvendigt at løfte justeringshåndtagene.



2 Hvis du vil sænke den øverste kurv, skal du løfte justeringshåndtagene i hver side for at frigøre kurven og flytte den til den nederste position.

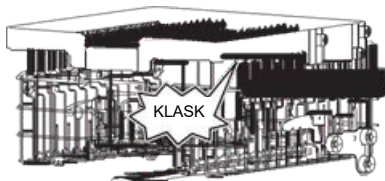
Opfolding af kopholderen

Hvis du vil have plads til større genstande i den øverste kurv, skal du folde kopholderen opad. Du kan derefter placere de store glas mod denne støtte. Du kan også fjerne den, når du ikke har brug for den.



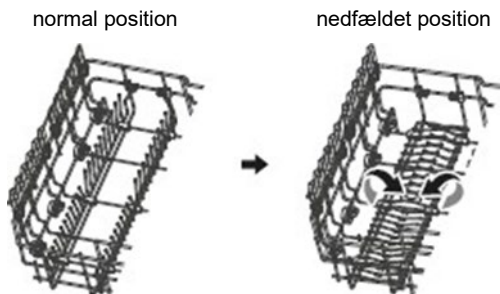
BEMÆRK:

Når den øverste kurv låses i den øverste position, er det umuligt at folde kopholderen op.



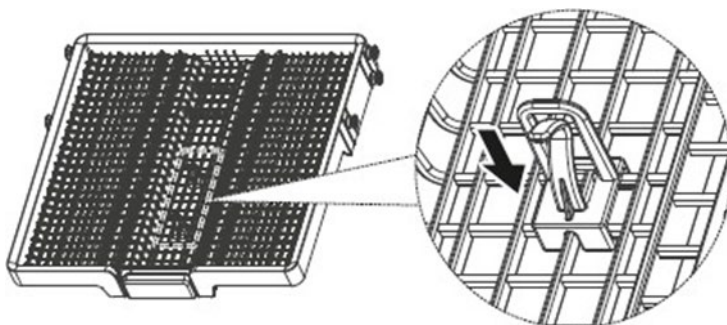
Fold stængerne ned

Stængerne i den nederste kurv bruges til at placere tallerkener og fade. Du kan folde dem ned for at få plads til større dele.

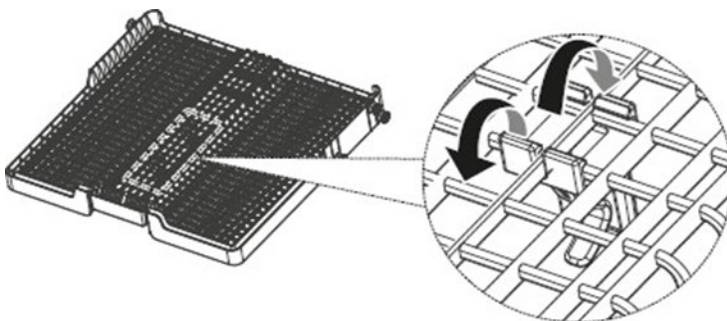


Sutteholder

Holderen fastgøres ved at spænde den i den tilsvarende position som vist. Den kan bruges til at fastgøre små genstande som f.eks. en sut.



For at fjerne holderen skal du række ind under den og løsne tapperne, som vist.



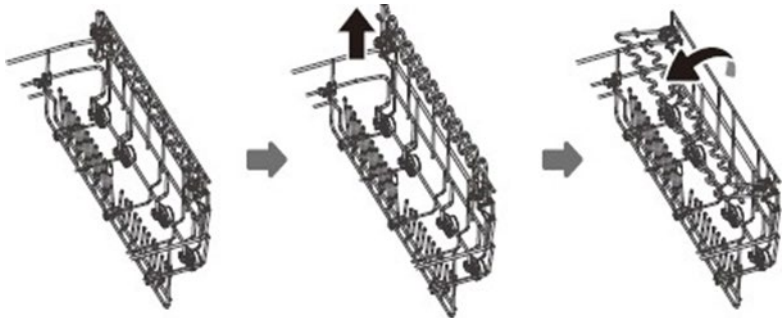
Stor multifunktionel holder til køkkenredskaber

Giver et sikkert og fleksibelt sted udelukkende til store køkkenredskaber som f.eks. bageplader og skærebrætter. Den er også velegnet til store vinglas.



Når du vil bruge den, skal du bare trække i holderen ud og tage den ud.

Du kan folde holderen ned, når du ikke har brug for den. Den optager ikke ekstra plads, når den er klappet sammen.



VEDLIGEHOJDELSE OG RENGØRING

Udvendig vedligeholdelse

Låge og lågetætning

Rengør lågetætningerne regelmæssigt med en fugtig, ikke-slibende klud for at fjerne madrester.

Når du fylder opvaskemaskinen, kan mad- eller væskerester lave pletter på lågens side. Disse flader ligger

uden for vaskezone og uden for rækkevidde af det vand, der drives frem af sprinklerarmene. Eventuelle aflejringer bør tørres af, inden lågen lukkes.

Betjeningspanel

Du kan rengøre betjeningspanelet ved at tørre det af med en fugtig, ikke-slibende klud.

ADVARSEL

- For at undgå indtrængen af vand i lågens lås og elektriske komponenter må du ikke anvende rengøringsmidler i sprayform.
- Brug aldrig slibende rengøringsmidler eller skuresvampe på de udvendige overflader, da dette kan ridse belægningen. Nogle papirhåndklæder kan også ridse eller efterlade mærker på overfladen.

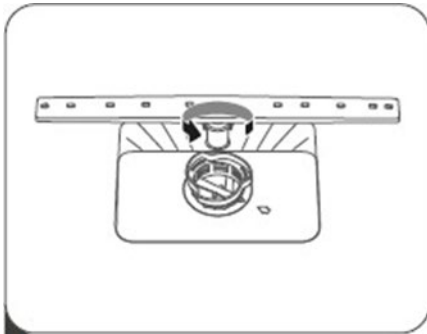
Indvendig vedligeholdelse

Filtersystem

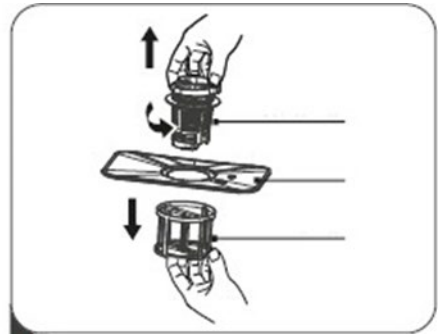
Filtersystemet i bunden af maskinen opfanger stort snavs under vaskecyklussen, herunder fremmedlegemer som f.eks. tandstikkere eller splinter. Det opsamlede snavs kan tilstøpe filtrene. Kontroller filterets tilstand regelmæssigt (en gang om måneden). Fjern forsigtigt fremmedlegemer, og rengør om nødvendigt dele af vandfiltersystemet med vand. Følg nedenstående fremgangsmåde for at rense filteret.

BEMÆRK:

Illustrationerne er kun vejledende, og forskellige modeller af filtersystemer og sprøjtearme kan variere.



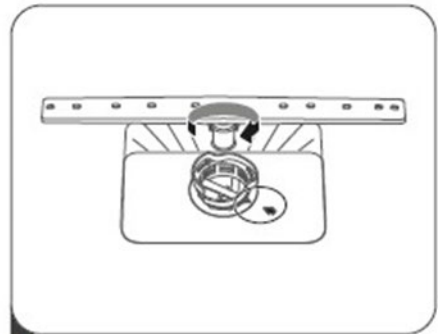
1 Hold fast i det primære filter, og drej det mod uret for at låse det op. Løft filteret op og ud af opvaskemaskinen.



2 Du kan fjerne det fine filter i bunden af filterenheden. Fjern det primære filter fra hovedfilteret ved at trykke forsigtigt på tapperne øverst, før du fjerner filteret.



3 Skyl filteret under rindende vand for at fjerne større madrester. For at opnå en mere effektiv rengøring kan du bruge en ikke-slibende børste.



4 Saml filtrene igen ved at følge demonteringstrinnene i omvendt rækkefølge, sæt filterenheden på plads, og drej den med uret til lukkepilen.

⚠ ADVARSEL

- Filterene må ikke strammes for hårdt. Saml filtrene igen i omvendt rækkefølge, og skru dem fast for at forhindre, at store rester trænger ind i systemet og forårsager blokering.
- Brug aldrig opvaskemaskinen uden filtrene. Et forkert udskiftet filter kan reducere maskinens ydeevne og beskadige din opvask.

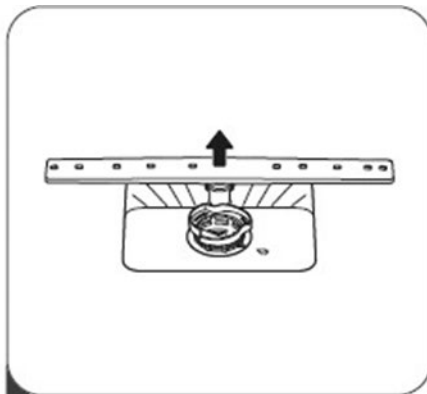
Sprøjtearme

Det er nødvendigt at rengøre sprøjtearmene regelmæssigt for at forhindre kemiske partikler fra hårdt vand i at tilstoppe sprøjtearmens dyser og lejer.

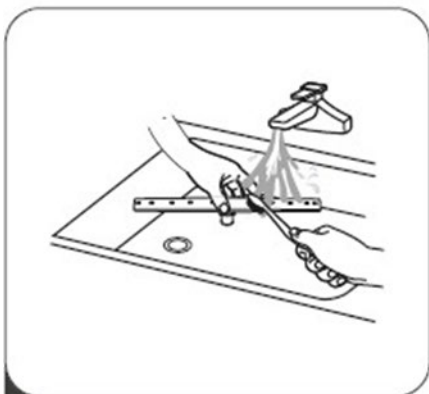
For at rengøre sprøjtearmene skal du følge nedenstående vejledning:



- 1** For at fjerne den øverste sprøjtearm skal du holde møtrikken i midten og dreje sprayarmen mod uret for at fjerne den.



- 2** For at fjerne den nederste sprøjtearm skal du trække den opad.



- 3** Vask armene i varmt sæbevand, og rengør dyserne med en blød børste. Skyl dem grundigt, og sæt dem derefter på plads igen.

Vedligeholdelse af opvaskemaskinen

Forholdsregler mod isdannelse

Husk at træffe foranstaltninger til frostsikring af din opvaskemaskine om vinteren. Efter hver vaskecyklus skal du følge nedenstående procedure:

1. Sluk for opvaskemaskinen ved strømkilden.
2. Luk for vandforsyningen, og tag vandslangen ud af vandforsyningsventilen.
3. Tøm vandet fra vandforsyningsslangen og vandhanen. (Brug en gryde til at opsamle vandet)
4. Tilslut vandtilførselsslangen til vandhanen igen.
5. Fjern filteret fra bunden af opvaskemaskinen, og tør eventuelle vandrester op i tanken.

Efter hver opvask

Efter hver opvask skal du slukke for vandtilførslen og lade lågen stå lidt åben i et øjeblik, så fugt og lugte kan slippe ud.

Frakobling af stikket

Før rengøring eller vedligeholdelse af maskinen skal du altid tage stikket ud af stikkontakten.

Rengøring uden brug af opløsningsmidler eller slibende midler

Du må ikke bruge opløsningsmidler eller slibende rengøringsmidler til at rengøre opvaskemaskinens udvendige dele og gummidelene. Brug en klud fugtet med varmt sæbevand.

For at fjerne pletter eller stænk fra den indvendige overflade skal du bruge en klud fugtet med lidt eddike eller et rengøringsprodukt fremstillet specielt til opvaskemaskine.

Når opvaskemaskinen ikke anvendes i længere tid

Det anbefales, at du kører en vaskecyklus med opvaskemaskinen tom og derefter tager stikket ud af stikkontakten, slukker for vandforsyningen, og lader maskinens låge stå på klem. Dette vil medvirke til at lågens pakninger holder længere og forhindrer, at der opstår dårlig lugt i opvaskemaskinen.

Flytning af maskinen

Hvis opvaskemaskinen skal flyttes, skal den helst holdes i lodret stilling. Hvis det er nødvendigt, kan den lægges på bagsiden.

Pakninger

En af grundene til dannelse af dårlig lugt i opvaskemaskinen er fastsiddende madrester i pakningerne. Jævnlig rengøring med en fugtig svamp vil forhindre dette.

⚠ ADVARSEL



Fare for dødeligt elektrisk stød

Afbryd strømmen, før du installerer opvaskemaskinen.

Hvis du ikke gør det, kan det medføre død eller elektrisk stød.

⚠ Vigtigt

Tilslutning af slanger og elektrisk udstyr skal udføres af fagfolk.

À propos den elektriske tilslutning

⚠ ADVARSEL

For din egen sikkerheds skyld:

- Du må ikke anvende forlængerledning eller et adapterstik til denne opvaskemaskine.
- Du må under ingen omstændigheder afskære eller fjerne jordforbindelsen fra strømforsyningsledningen.

Krav til elektricitet

Se mærkepladen for at kende den nominelle strømstyrke og forbinde opvaskemaskinen til passende strømforsyning. Brug den krævede 10A-/13A-/16A-sikring, timer-sikring eller kredsafbryder, der er anbefalet, og brug en separat kreds, der kun anvendes af opvaskemaskinen.

Kontroller, at spænding og frekvens på strømforsyningen svarer til typeskiltet. Stikket må kun sættes i en elektrisk stikkontakt med korrekt jordforbindelse. Hvis stikkontakten ikke passer til stikket på opvaskemaskinen, skal stikkontakten udskiftes. Der må ikke anvendes adaptere eller lign., da de kan forårsage overophedning og brand.

⚠ **Kontroller før brug af opvaskemaskinen, at jordforbindelsen er oprettet**

Tilslutning til koldt vand

Koldt vandforsyningsslangen forbindes til en konnektor med 3/4 (") gevind, og det skal sikres, at den er sat korrekt på.

Hvis vandrørene er nye eller ikke har været brugt i længere tid, skal du lade vandet løbe lidt for at sikre, at vandet er rent. Denne forholdsregel er nødvendig for at undgå risiko for, at vandtilførslen bliver blokeret med beskadigelse af opvaskemaskinen til følge.



Almindelig vandindgangsslange



Sikker vandindgangsslange

A propos sikker vandindgangsslange

Den sikre vandindgangsslange har dobbeltvæg. Dette system griber ind ved at blokere for vandtilførslen, hvis slangen beskadiges, eller hvis luftslusen mellem indgangsvandslangen og den ydre slange fyldes med vand.

⚠ ADVARSEL

En slange, der er fastgjort til en vandhane, kan eksplodere, hvis den er installeret på samme vandforsyning som opvaskemaskinen. Hvis din vask er udstyret med en sådan, anbefaler vi, at du fjerner slangen og blokerer åbningen.

Sådan tilsluttes sikkerhedsslagen ved vandindgang

1. Tag sikkerhedsslanger til vandindgang ud af opbevaringsrummet på bagsiden af opvaskemaskinen.
2. Skru den sikre vandindgangsslange til vandhanen med en 3/4" gevindforbindelse.
3. Åbn helt for vandtilgangen, før opvaskemaskinen startes.

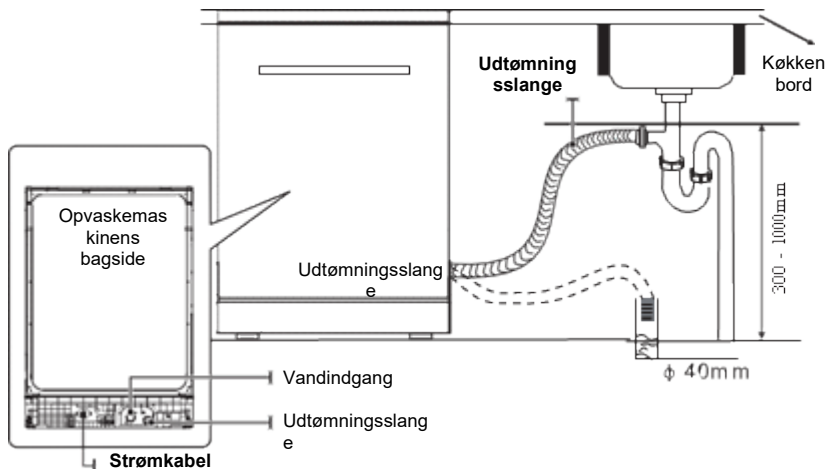
Sådan fjerner du vandindgangsslagen med sikkerhed

1. Sluk for vandet.
2. Skru sikkerhedsslagen til vandindgang af vandhanen.

Tilslutning af udtømningslangen

Sæt udtømningslangen i et afløbsrør med en diameter på mindst 4 cm, eller lad den løbe ud i vasken, idet du skal sørge for ikke at bøje eller klemme den. Højden på udtømningslangen skal være mindre end 1000 mm. For at undgå tilbagestrømning må den fri ende af slangen ikke være nedsænket i vand.

⚠ Fastgør udtømningslangen i position A eller B, så den sidder sikkert på plads.



Sådan dræner du overskydende vand fra slangerne

Hvis tilslutningen af udtømningslangen er placeret højere end 1000 mm, kan der dannes overskydende vand i udtømningslangen. Det er nødvendigt at lade det overskydende vand løbe ud i en skål eller en anden egnet beholder, der står udenfor og på et lavere niveau end vasken.

Vandudløb

Tilslut udtømningslangen. Udtømningsslange skal være korrekt monteret for at forhindre vandlækage. Sørg for, at udtømningslange ikke er bøjet eller knækket.

Forlængerslange

Hvis du har brug for en forlængerslange til udtømning, skal du sørge for at bruge en tilsvarende slange.

Slangen bør ikke være længere end 4 meter, da opvaskemaskinens ydeevne ellers kan blive nedsat.

Placering af maskinen

Installer maskinen på det ønskede sted. maskinens bagside skal placeres mod væggen, og sidevæggene mod de tilstødende vægge. Opvaskemaskinen er udstyret med slanger til vandtilførsel og udtømning, der kan placeres enten på venstre eller højre side af maskinen for at lette installationen.

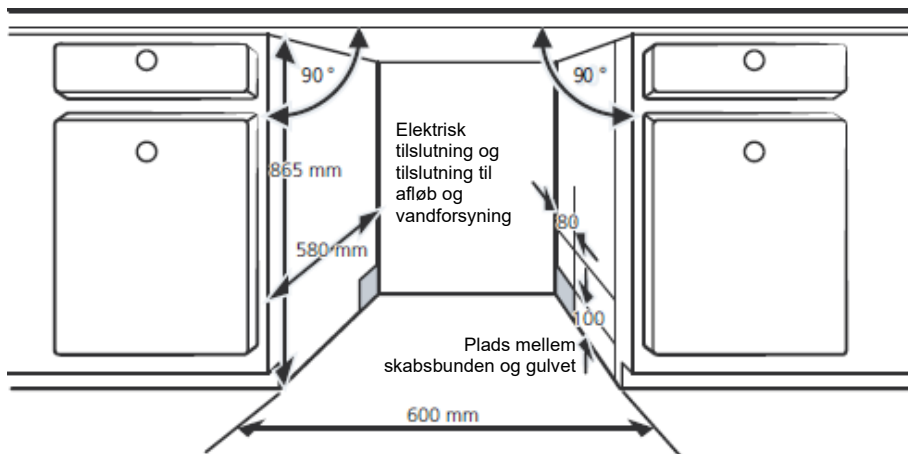
Indbygget (for den indbyggede model)

Trin 1. Valg af den bedst egnede placering af opvaskemaskinen

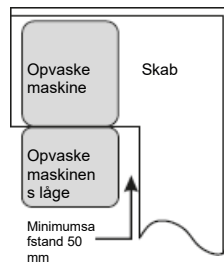
Opvaskemaskinen skal installeres tæt på de eksisterende vandtilførsels- og afløbsledninger samt på en stikkontakt.

Illustrationer af installationspladsens mål og opvaskemaskinens installationsposition.

1. Mindre end 5 mm mellem overkanten af opvaskemaskinen og køkkenbordet; maskinens udvendige sidevægge afpasset til skabet.



2. Hvis opvaskemaskinen er installeret i nærheden af et hjørne, skal du sørge for, at der er en nok afstand, så lågen kan åbnes.



BEMÆRK:

Afhængigt af placeringen af stikkontakten skal du muligvis skære en åbning i sidevæggen på det tilstødende skab.

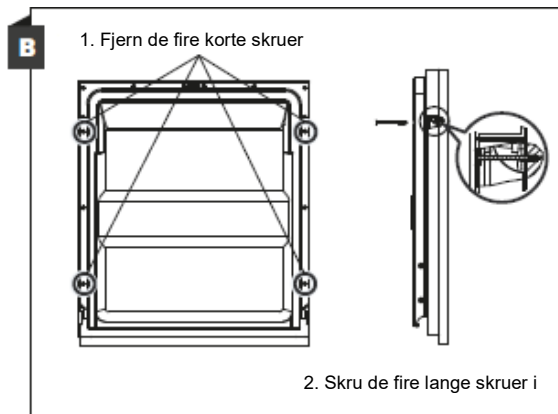
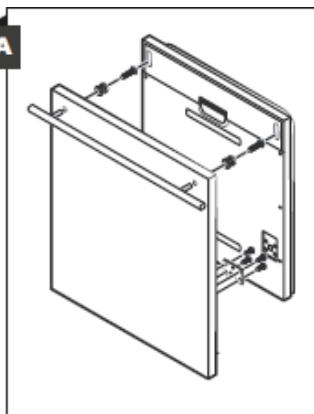
Trin 2. Dekorationspanelets mål og installation



Følg de specifikke installationsanvisninger for fastgørelse af lågens dekorationspanel.

Indbygget model

Monter kroen på dekorationspanelet (ca. 5-9 kg), og sæt den ind i slidsen på ydersiden af opvaskemaskinens låge (se figur A). Når panelet er placeret, fastgøres det til lågen med skruer og møtrikker (se figur B).



Trin 3. Trin for opvaskemaskinens installation

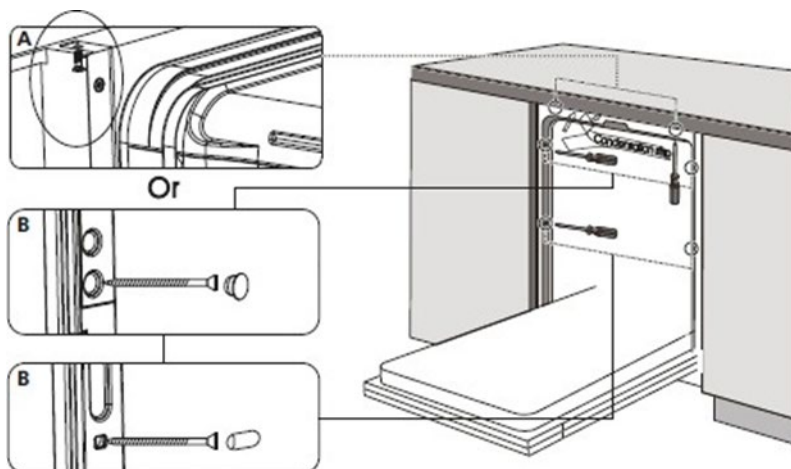


Se venligst de specifikke installationstrin, der er vist på installationsdiagrammerne.

1. Monter dekorationspanelet udvendigt på opvaskemaskinens låge. (Trin 2 til trin 5)
2. Justér tilspændingen af lågefjederen ved hjælp af en unbrakonøgle. Drej med uret for at stramme de venstre og højre lågefjedre. Hvis du ikke gør det, kan det medføre skader på opvaskemaskinen. (Trin 6)
3. Fastgør kondensstrimlen under skabets bordplade. Sørg for, at kondensstrimlen flugter med kanten af bordpladen. (Trin 8)
4. Slut vandtilførselsslangen til koldtvandshanen. (Trin 9)
5. Tilslut udtømmningsslangen. (Trin 9)
6. Tilslut strømkablet. (Trin 9)
7. Sæt opvaskemaskinen på plads. (Trin 10)
8. Sæt opvaskemaskinen i vater.

Det bageste ben kan justeres fra opvaskemaskinens forside ved at dreje på skruen med stjernekerf i midten af opvaskemaskinens bund med en stjerneskruetrækker. Drej det forreste ben med en flad skruetrækker, indtil opvaskemaskinen er i vater. (Trin 11)

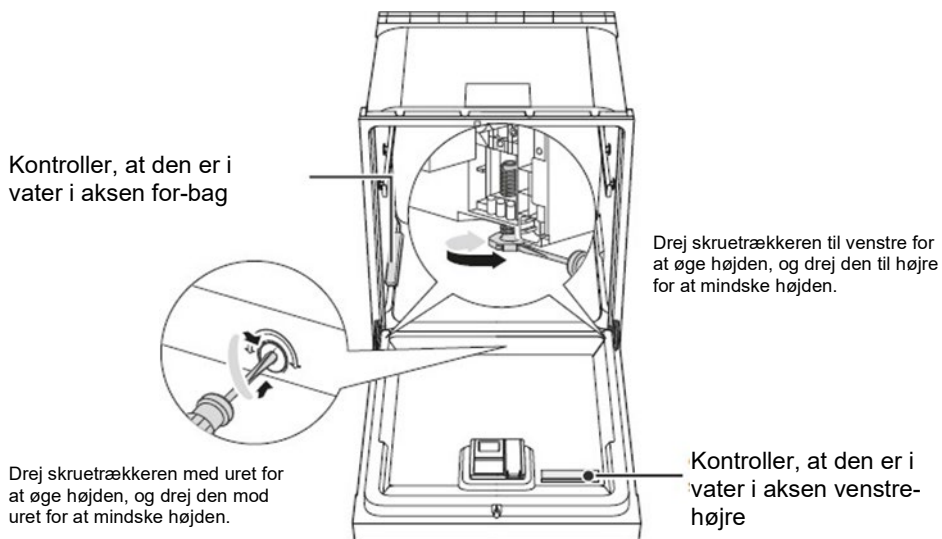
9. Opvaskemaskinen skal være korrekt fastgjort. Afhængigt af placeringen kan du vælge fastgørelse enten toppen eller i siden. Fastgørelsen udføres som følger: (Trin 12)
 - A. Normal køkkenbord: Sæt installationsbeslaget ind i slidsen i sidepanelet, og fastgør det til bordpladen med træskruer.
 - B. Køkkenbord i marmor eller granit: Fastgør sidepanelet med skruer.



Trin 4. Sætte opvaskemaskine vater

Opvaskemaskinen skal være i vater for at sikre, at opvaskekurvene fungerer korrekt, og at maskinen opvasker med korrekt ydelse.

1. Anbring et vaterpas på lågen og kurvens skinne i opvaskemaskinen, som vist, for at kontrollere, at opvaskemaskinen er i vater.
2. Sæt opvaskemaskinen i vater ved at justere de tre nivelleringsfødder individuelt.
3. Pas på, at opvaskemaskinen ikke vælter, når du sætter den i niveau.



BEMÆRK:

Benenes maksimale justeringshøjde er 50 mm.

FEJLFINDINGSTIPS

Før du tilkalder en servicetekniker

En gennemlæsning af skemaet på de følgende sider kan måske spare dig for at tilkalde en servicetekniker.

Problem	Mulige årsager	Hvordan kan det afhjælpes
Opvaskemaskinen starter ikke	Sprunget sikring, eller kredsafbryder udløst.	Udskift sikringen, eller tilkobl kredsafbryderen. Fjern alle andre apparater, der evt. deler kreds med opvaskemaskinen.
	Der er ikke tændt for strømmen.	Kontroller, at opvaskemaskinen er tændt, og at lågen er korrekt lukket. Kontroller, at strømledningen er sat korrekt i stikket i væggen.
	Vandtrykket er for lavt	Kontroller, at vandforsyningen er korrekt tilsluttet, og at der er åbnet for vandet.
	Opvaskemaskinens låge er ikke korrekt lukket.	Sørg for at lukke lågen korrekt og låse den korrekt.
Vandet pumpes ikke ud af opvaskemaskinen	Udtømningsslangen er bøjet eller sidder fast.	Kontroller udtømningsslangens tilstand
	Filteret er tilstoppet.	Kontroller filtreringssystemet.
	Vasken er blokeret.	Kontroller køkkenvasken for at sikre, at dens afløb ikke er tilstoppet. Hvis køkkenvasken ikke udtømmer vandet korrekt, er det snarere en blikkenslager, du har brug for, og ikke en servicetekniker til opvaskemaskinen.
Skum i karret	Opvaskemidlet er ikke passende.	Du undgår sæberester ved udelukkende at bruge specielt opvaskemiddel til maskinopvask. Hvis dette sker, skal du åbne opvaskemaskinen og lade sæben fordampe. Fyld 1 liter koldt vand i bunden af opvaskemaskinen. Luk opvaskemaskinens låge, og vælg en vilkårlig cyklus. Opvaskemaskinen begynder at udtømme vandet. Åbn lågen efter udtømningen og kontroller, om sæberesterne er forsvundet. Gentag operationen om nødvendigt.

Problem	Mulige årsager	Hvordan kan det afhjælpes
	Der er blevet spildt afspændingsmiddel.	Fjern altid straks det spildte afspændingsmiddel.
Der er pletter inde i karret	Der er anvendt maskinopvaskemiddel der indeholder farve.	Sørg for at bruge maskinopvaskemiddel uden farve.
Hvid film på opvaskemaskinens indvendige flader	Det er mineraler, der findes i hårdt vand.	Rengør opvaskemaskinen indvendigt med en blød, fugtig svamp med maskinopvaskemiddel og brug gummihandsker. Der må aldrig bruges andet opvaskemiddel end det, der er beregnet til maskinopvask, da der ellers er fare for skumdannelse.
Der er rustpletter på bestik	De påvirkede elementer er ikke rustfrie.	Undgå at lægge bestik, der ikke er korrosionsbestandigt, i opvaskemaskinen.
	Der er ikke kørt et program, efter at der er tilsat opvaskemaskinesalt. Rester af salt er kommet ind i opvaskecyklussen.	Kør altid et opvaskeprogram med tom maskinen, når du har tilsat salt. Vælg ikke Turbo-funktionen (hvis den findes), efter at du har tilsat salt.
	Dækslet til enhed for blødgøring af vand er ikke korrekt lukket.	Kontroller, at dækslet er korrekt lukket.
Bankelyde i opvaskemaskinen	En sprinklerarm støder mod et element i kurven nedenunder.	Sæt programmet på pause, og flyt om på elementerne, som sprinklerarmen støder mod.
Raslelyde i opvaskemaskinen	Køkkengrej bevæger sig i opvaskemaskinen.	Afbryd programmet, og flyt om på elementerne i opvaskemaskinen.
Bankelyde i vandrørene	Dette kan skyldes installationen på stedet eller rørføringens størrelse.	Dette har ingen indflydelse på opvaskemaskinens funktion. Hvis du er tvivl, kontaktes en kvalificeret blikkenslager.
Servicen er ikke ren	Servicen er ikke sat korrekt i opvaskemaskinen.	Se DEL II "Forberedelse og isætning af service i opvaskemaskinen".
	Det valgte program var ikke tilstrækkeligt højtydende.	Vælg et mere intensivt program.

Problem	Mulige årsager	Hvordan kan det afhjælpes
Servicen er ikke ren.	Der var ikke tilstrækkeligt maskinopvaskemiddel.	Brug mere maskinopvaskemiddel, eller skift maskinopvaskemiddel.
	Elementer blokerer sprinklerarmenes rotation.	Flyt om på elementerne, så sprinklerarmene kan rotere frit.
	Filterenheden er ikke ren eller ikke korrekt fastgjort i opvaskemaskinens bund. Dette kan medføre, at sprinklerarmens dyser bliver blokeret.	Rengør og/eller installer filteranordningen korrekt. Rengøring af sprinklerarme.
Hvid hinde på glas.	Kombination af blødt vand og for meget maskinopvaskemiddel.	Brug mindre maskinopvaskemiddel, hvis du har blødt vand, og vælg en kortere cyklus til opvask af glas for at de skal blive rene.
Hvide pletter på køkkenredskaber og glas.	Hårdt vand kan føre til kalkaflejringer.	Kontroller indstillingerne for enheden til blødgøring af vand eller saltbeholderens påfyldningsstatus.
Sorte eller grå mærker på servicen	Aluminiums køkkenredskaber har berørt servicen	Brug et mildt skuremiddel til at fjerne disse mærker.
Opvaskemiddel forbliver i opvaskemiddelrummet	Service blokerer opvaskemiddelrummet	Flyt om på servicen.
Servicen er ikke tør	Ukorrekt fyldning af maskinen	Brug handsker, hvis du finder rester af opvaskemiddel på opvasken, for at undgå hudirritation.
	Servicen bliver taget ud for hurtigt	Tøm ikke opvaskemaskinen straks efter opvasken. Åben lågen på klem, så dampen kan slippe ud. Vent, indtil temperaturen i opvaskemaskinen er faldet tilstrækkeligt, før du tømmer opvaskemaskinen. Tøm den nederste kurv først for at forhindre, at vandet fra den øverste kurv drypper ned på den.

Problem	Mulige årsager	Hvordan kan det afhjælpes
Servicen er ikke tør	Forkert program er valgt.	Med et kort program er opvasketemperaturen lavere, hvilket formindsker opvaskeydelsen. Vælg et program med en længere opvasketid.
	Bestik med overflade i dårlig kvalitet.	Vandafløb er vanskeligere på belægninger i dårlig kvalitet. Bestik eller service af denne type er ikke egnet til maskinopvask.

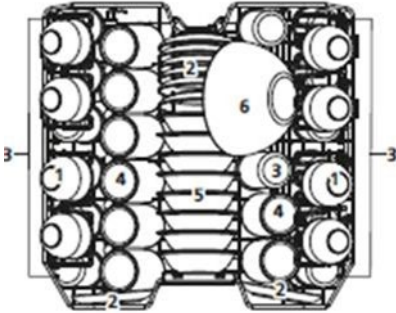
ADVARSEL

Reparation du selv udfører eller reparation, der ikke er udført af en fagmand, kan medføre alvorlige sikkerhedsrisici for brugeren af maskinen og kan påvirke garantien.

FYLDNING AF KURVENE IHT. STANDARD EN60436:

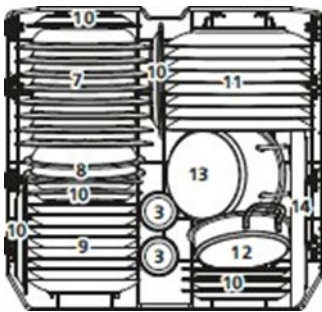
Når opvaskemaskinen fyldes helt op, bidrager du til at spare energi og vand.

1. Øverste kurv:



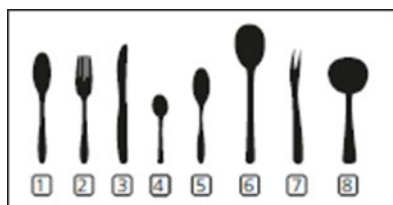
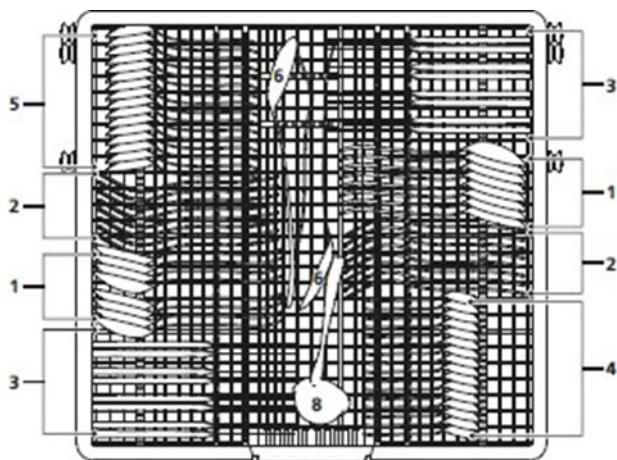
Nummer	Type af service
1	Kopper
2	Underkopper
3	Glas
4	Store kopper
5	Dessertskåle
6	Glasskåle

2. Nederste kurv:



Nummer	Type af service
7	Suppetallerkener
8	Skåle i melamin
9	Dessertservice
10	Desserttallerkener i melamin
11	Middagstallerkener
12	Små gryder
13	Ovnfad
14	Ovale fade

3. Bestikskuffe:

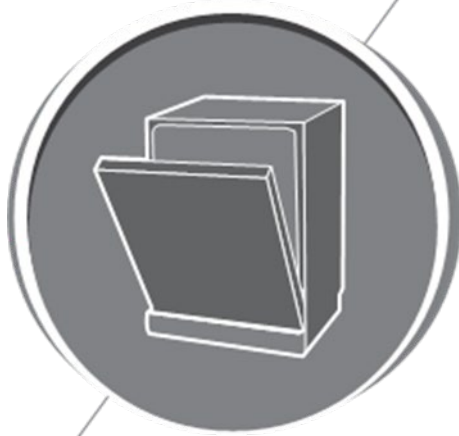


Nummer	Type af service
1	Suppeskeer
2	Gafler
3	Knive
4	Teskeer
5	Dessertskeer
6	Serveringskeer
7	Serveringsgafler
8	Øseskeer

Oplysninger om sammenligningsprøver i henhold til normen EN60436 Kapacitet: 16 kuverter

Position af øverste kurv: lav Program: ØKO

Indstilling for afspændingsmiddel: Maks.
Indstilling af enhed til blødgøring af vand: H3



Opvaskemaskine

Brugsanvisning

DEL II: Specifikke instruktioner

DCJ632DQX



Læs denne brugsanvisning omhyggeligt, før du bruger din opvaskemaskine. Opbevar denne brugsanvisning til senere brug.

INDHOLDSFORTEGNELSE

01	4	BRUG AF DIN OPVASKEMASKINE
	4	Betjeningspanel
	6	Enhed til blødgøring af vand
	9	Forberedelse og isætning af service i opvaskemaskinen
	12	Afspændings - og opvaskemidlets funktion
	13	Påfyldning af rummet til afspændingsmiddel
	14	Påfyldning af opvaskemiddelrummet
02	15	VALG AF PROGRAM
	15	Programoversigt
	16	Energibesparelse
	16	Start af et program
	17	Sådan skifter du program under en cyklus
	18	Du har glemt et fad
	18	Automatisk åbning
03	19	FEJLKODER
04	20	TEKNISKE OPLYSNINGER

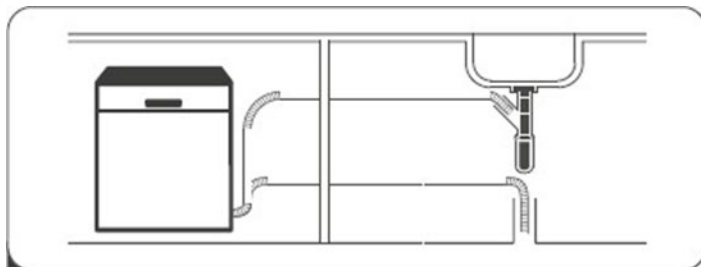


BEMÆRK:

- Hvis du ikke selv kan løse problemet, kan du kontakte en autoriseret tekniker.
- I overensstemmelse med fabrikantens politik om løbende produktudvikling og -opdatering kan producenten foretage ændringer uden varsel.

KORTFATTET BRUGERVEJLEDNING

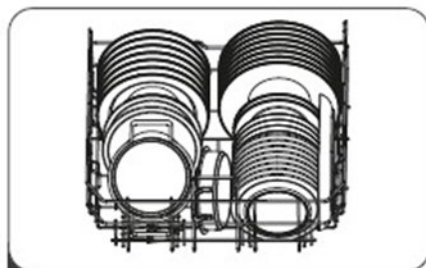
Hvis du vil vide mere om maskinens funktion, skal du læse det relevante afsnit i brugsanvisningen.



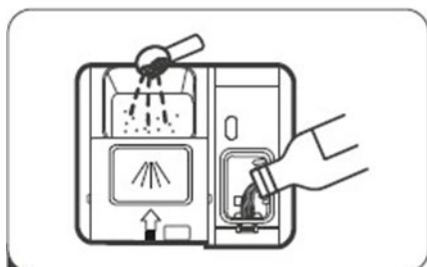
- 1** Installation af opvaskemaskinen
(Se afsnit 5) "INSTALLATIONSVEJLEDNING" i DEL I: Generelle retningslinjer



- 2** Kontroller, at den er i vater i aksen for-bag



- 3** Fyld kurvene.



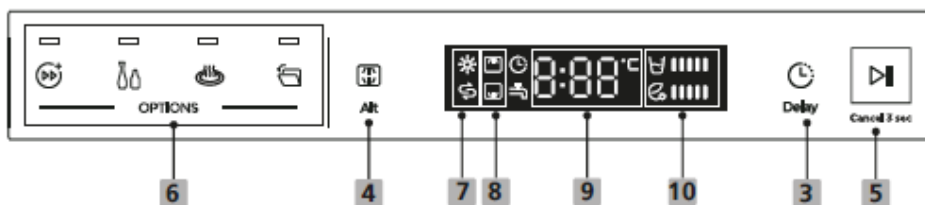
- 4** Fyld rummene til opvaskemiddel og afspændingsmiddel.



- 5** Vælg et passende program, og start opvaskemaskinen.

BRUG AF DIN OPVASKEMASKINE

Betjeningspanel



Funktion (Knap)

1 Tænd/sluk	Tryk på denne knap for at tænde opvaskemaskinen. Displayet tænder.
2 Program	<p>ICS+ ICS+ Dette program er sensorstyret og tilpasser sig til graden af tilsmudsning. Det er velegnet til alle typer opvask.</p> <p>H+ Hygiejne 72° Dette program er velegnet til alle typer opvask og til alle grader af tilsmudsning. Det giver den højeste vasketemperatur for desinfektion af opvasken.</p> <p>Lydsvag Dette program er velegnet til glas og tallerkner med en normal grad af tilsmudsning. Det kører mere lydsvagt og kan bruges om aftenen eller om natten.</p>

2 Program

ECO

ØKO

Dette standardprogram er velegnet til opvask med en normal grad af tilsmudsning. Det er det mest effektive program med hensyn til energi- og vandforbrug.



90 min

Til opvask med normal tilsmudsning, som skal opvaskes og tørres hurtigt.



Opvask og tørring 55 min

Til opvask med normal tilsmudsning, som skal opvaskes og tørres hurtigt.



Hurtig opvask 35 min

Dette program giver den korteste opvasketid til let snavset service, som ikke skal tørres.



Foropvask

Dette er et skylleprogram, der udelukkende er beregnet til at løse snavs på servicen med henblik på efterfølgende opvask.



Auto rengøring

Dette program gør det muligt at rengøre maskinen effektivt, når den er tom.

3 Forsinket start

Tryk på knappen for at udskyde starttidspunktet for et program med op til 24 timer i intervaller på én time. Når aktiveret, lyser indikatoren (🕒).

4 Alt

Tryk på knappen for at vælge, om du kun vil vaske den øverste eller nederste kurv eller begge dele. Indikatorerne (👤 👤) tænder.

5 Start/Pause

Tryk på denne knap for at starte det valgte vaskeprogram eller for at sætte programmet på pause.

6 Option



Turbo speed+

Med denne indstilling reduceres opvasketiden med 15-50 %, afhængigt af temperaturstigningen og motorhastigheden. Det kan ikke vælges samtidig med programmerne Auto, Hurtig opvask 35 min. og Foropvask. Hvis den kombineres med den automatiske åbning, kan den automatiske opvask heller ikke aktiveres.



Flaskeopvask

Denne indstilling kan bruges til rengøring af flasker, der er placeret i det dertil indrettede område i den øverste kurv. Denne indstilling kan ikke vælges samtidig med programmerne Auto, 55 min. vask og tørring, Foropvask og Auto rengøring.

Display

6 Option



Ekstra tørring

Denne indstilling øger temperaturen i den sidste skylning og forlænger tørretiden for at forbedre effekten. Det kan kun vælges i forbindelse med programmerne ØKO, Hygiene 72°, Lydsvag og 90 min.



Automatisk åbning

Lågen til opvaskemaskinen åbnes automatisk ved afslutningen af programmet for at forbedre tørreresultatet. Den automatiske åbning er aktiveret som standard fra fabrikens side. Hvis denne indstilling er deaktiveret, forbliver dette valg gyldigt, selv når opvaskemaskinen er slukket. Denne indstilling kan ikke vælges samtidig med programmerne Hurtig opvask 35 min, Foropvask og Auto rengøring.

7

Advarsel-lamper



Afspændingsmiddel

Hvis indikatoren "❄" er tændt, betyder det, at niveauet af afspændingsmiddel i opvaskemaskinen er for lavt, og at der skal fyldes mere på.



Salt

Hvis lampen "♻" er tændt, betyder det, at niveauet af salt i opvaskemaskinen er for lavt, og at der skal fyldes mere på.



Vandhane

Hvis lampen "⛔" er tændt, betyder det, at vandhanen er lukket.

Andre lamper



Kun opvask af øverste kurv

Når du vælger Høj, er det kun opvasken i den øverste kurv, der bliver opvasket. Sprinklersystemet i den nederste kurv fungerer ikke.



Kun opvask af den nederste kurv

Når du vælger Lav, er det kun opvasken i den nederste kurv, der bliver opvasket. Sprinklersystemet i den øverste kurv fungerer ikke.



Samtidig opvask af den øverste eller nederste kurv



Når du vælger begge dele, vaskes opvasken i den øverste og nederste kurv. Sprinklersystemet i den øverste eller nederste kurv fungerer skiftevis eller begge samtidigt.

Display

9 Skærm



Viser den resterende programtid, opvaske temperatur, forsinkelsestid, fejlkoder osv.

Forbrugsindikator



Niveau af vandforbrug

Indikatoren for vandforbrug viser vandforbruget for et valgt program. Jo flere søjler der vises, jo større er vandforbruget.



Energiforbrug

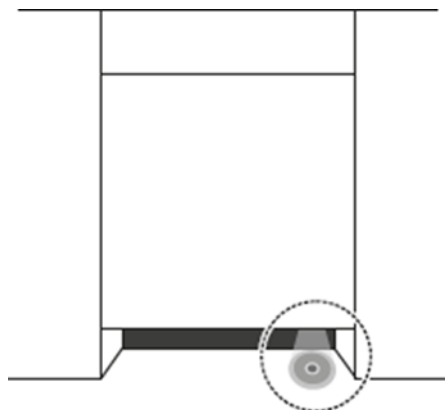
Indikatoren for energiforbrug viser energiforbruget for et valgt program. Jo flere søjler der vises, jo højere er energiforbruget.



BEMÆRK:

Kontrollampens drift

Kontrollampen lyser under opvaskeprogrammet, blinker i 5 minutter og slukker ved afslutningen af programmet.



Enhed til blødgøring af vand

Enheden til blødgøring af vand skal indstilles manuelt ved hjælp af drejeknappen for valg af hårdhed.

Enheden til blødgøring af vand er designet til at fjerne mineraler og salte fra vandet, som kan påvirke maskinens gode funktion.

Jo flere mineraler der er, jo hårdere er dit vand. Hvis der anvendes hårdt vand i opvaskemaskinen, vil der danne sig afsætninger på servicen.

Enheden til blødgøring af vand skal indstilles i overensstemmelse med vandets hårdhed i dit område. Kontakt dit lokale vandværk for at få oplysninger om vandets hårdhed i dit område.

BEMÆRK:

Hvis din opvaskemaskine ikke er udstyret med en enhed til blødgøring af vand, kan du springe dette afsnit over.

Indstilling af saltforbruget

Denne opvaskemaskine er designet til at kunne justere saltmængden i forhold til det anvendte vands hårdhed. Denne funktion har til formål at optimere og tilpasse saltforbruget.

Opvaskemaskinen skal tilpasses til vandets hårdhed i dit område. Dette vil påvirke forbruget af opvaskemaskinesalt.

Følg nedenstående trin for at justere indstillingen af enheden til blødgøring af vand:

1. Åbn lågen, og tænd maskinen.
2. Inden for 60 sekunder efter at maskinen er tændt, skal du trykke på knappen til automatisk rengøring og holde den nede i mere end 5 sekunder for at gå til indstilling af enheden til blødgøring af vand.
3. Tryk på knappen for automatisk rengøring igen for at vælge den indstilling, der svarer til vandets hårdhed i dit område. Indstillingerne ruller i følgende rækkefølge: H1->H2->H3->H4->H5->H6 ;
4. Tryk på Tænd/sluk-knappen for at gemme indstillingen og forlade indstillingstilstanden.

VANDETS HÅRDHED				Indstilling af enhed til blødgøring af vand	Regenerering sker hver X programsekvenser ¹⁾	Saltforbrug (gram/cyklus)
°dH (Tyskland)	°fH (Frankrig)	°Clarke (Storbritannien -UK)	mmol/l			
0 - 5	0 - 9	0 - 6	0 - 0,94	H1	Ingen regenerering	0
6 - 11	10 - 20	7 - 14	1,0 - 2,0	H2	10	9
12 - 17	21 - 30	15 - 21	2,1 - 3,0	H3	5	12
18 - 22	31 - 40	22 - 28	3,1 - 4,0	H4	3	20
23 - 34	41 - 60	29 - 42	4,1 - 6,0	H5	2	30
35 - 55	61 - 98	43 - 69	6,1 - 9,8	H6	1	60

Fabriksindstillingen er H3.

- 1) Hver cyklus med regenerering bruger 3,0 ekstra liter vand, energiforbruget stiger med 0,02 kWt, og programmet forlænges med 4 minutter.



Se afsnit 3 "Påfyldning af salt i enhed til blødgøring af vand" i DEL I : Generelle anvisninger, hvis din opvaskemaskine mangler salt.

Forberedelse og isætning af service i opvaskemaskinen

- - Overvej at købe service og redskaber, der tåler opvaskemaskine.
- Vælg et program med den lavest mulige temperatur for skrøbelige genstande.
- Tag ikke glas og bestik ud af opvaskemaskinen umiddelbart efter programmets afslutning for at undgå skader.

Denne opvaskemaskine er designet til at opvaske og tørre almindelig service og køkkenredskaber. Det er dog ikke alle genstande, der kan opvaskes i opvaskemaskinen.

Følgende genstande er ikke egnede og kan blive beskadiget under opvask:

- Bestik af træ, porcelæn eller perlemor.
- Plastartikler, der ikke er varmebestandige.
- Ældre bestik med limede elementer, der ikke er varmebestandige.
- Bestik eller fæde med lim.
- Genstande af tin eller kobber.
- Krystalglas.
- Stålgjenstande, der kan ruste.
- Træbakker.
- Genstande fremstillet af syntetiske fibre.

Bemærk venligst følgende:

- Nogle typer glas kan blive matte efter flere ganges opvask.
- Sølv- og aluminiumsgenstande har tendens til misfarvning, når de opvaskes.
- Lakerede motiver kan falme, hvis de ofte vaskes i opvaskemaskinen.

Anbefalinger for fyldning af opvaskemaskinen

Fjern det meste af madresterne, der er tilbage på tallerkener og bestik. Blødgør rester af brændt mad i pander og gryder og trykkogere. Det er ikke nødvendigt at skylle servicen først.

For at sikre opvaskemaskinens optimale ydeevne skal du overholde følgende retningslinjer.

(Egenskaber og udseende af kurve og bestikkurve kan variere fra model til model).

- Genstande som kopper, glas, gryder, pander osv. skal vendes på hovedet.
- Buede elementer eller elementer med indhak skal ilægges, så vandet kan løbe af.
- Alle genstande skal placeres sikkert, så de ikke kan vælte.
- Alle genstande skal placeres på en sådan måde, at der er tilstrækkelig plads til, at sprinklerarmene kan dreje frit. Kontroller sprinklerarmenes rotation, før du starter et program.
- Tallerkener og bestik må ikke stables ind i hinanden eller overlape hinanden.
- Bestik må ikke gå ind i hinanden eller dække hinanden, så vandet kan nå alle områder.
- Den øverste kurv er til mere delikate og lette retter, f.eks. glas og kopper.
- Skarpe knive eller knive med lange blade udgør en fare, hvis spidsen peger opad.
- Langt, skarpt bestik, f.eks. skæreknive, skal placeres vandret på den øverste hylde.
- Opvaskemaskinen må ikke overfyldes. Du opnår således gode resultater og optimerer dit energiforbrug.



BEMÆRK:

Meget små elementer kan ikke vaskes i opvaskemaskinen, da de let kan falde ud af kurvene.

Tømning af opvaskemaskinen

For at forhindre at vandet drypper fra den øverste kurv ned i den nederste kurv, anbefaler vi, at du tømmer den nederste kurv først.

ADVARSEL



Servicen kan være meget varm! For at undgå skader skal du lade glas eller sarte genstande i opvaskemaskinens kurve køle af, før du tager dem ud.

Fyldning af øverste kurv

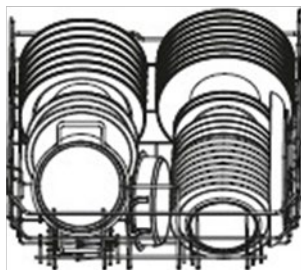
Den øverste kurv er beregnet til mere sarte og lettere elementer, såsom glas, kopper, underkopper og tallerkerne, små skåle og små pander og gryder.

Placér tallerkener og køkkenredskaber, så de ikke bliver flyttet af vandstrålen.



Fyldning af nederste kurv

Vi foreslår, at du placerer store genstande og de mest vanskelige at rengøre i den nederste kurv: Gryder, pander, låg, serveringsfade og skåle, som vist i figuren nedenfor. Det anbefales at placere fade og låg ude i siden i kurvene for at undgå blokering af rotationen af øverste sprinklerarm.



Fyldning af bestikskuffen

Bestik skal placeres i bestikskuffen adskilt fra hinanden i passende positioner. Undgå at lægge bestik ind i hinanden, for ikke at forringe opvaskeeffektiviteten.



For at opnå optimal renhed og tørring henvises til optionerne for standard fyldning i sidste afsnit af DEL I: Generelle retningslinjer

Maskinopvaskemidlets funktion

De kemiske ingredienser i maskinopvaskemidlet er nødvendige for at fjerne, nedbryde og bortlede al snavs ud af opvaskemaskinen. De fleste almindelige maskinopvaskemidler, der kan fås i handlen, er velegnede til dette formål.

ADVARSEL

- Der må kun bruges opvaskemiddel, der er specielt beregnet til brug for opvaskemaskine. Opbevar maskinopvaskemidlet køligt og tørt.
- Du må ikke fylde rummet til opvaskemiddel, før du er klar til at starte opvaskemaskinen.



Maskinopvaskemiddel er ætsende! Opbevar maskinopvaskemiddel uden for børns rækkevidde.

Afspændingsmidlets funktion

Der afgives afspændingsmiddel under den sidste skylning for at forhindre, at der dannes vanddråber på servicen, som kan give pletter eller striber. Det forbedrer også tørringen, da vandet løber af servicen. Din opvaskemaskine er designet til brug af afspændingsmiddel.

ADVARSEL

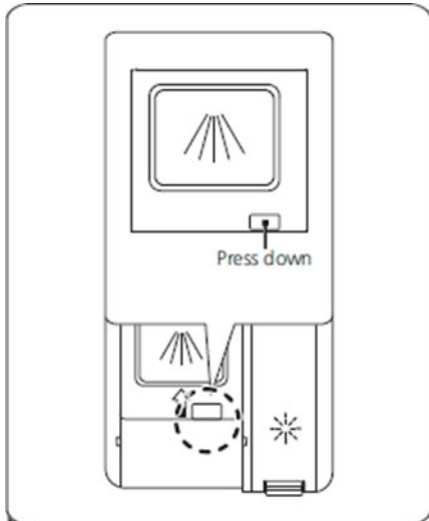
Der må aldrig påfyldes andre stoffer/midler i rummet til afspændingsmiddel (f. eks. opvaskemaskinesæbe, flydende rengøringsmiddel). Dette vil beskadige opvaskemaskinen.

Hvornår skal rummet med afspændingsmiddel påfyldes?

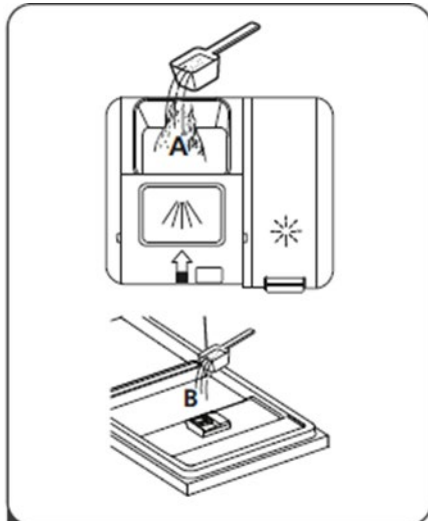
Næsten alle programmer anvender et afspændingsmiddel i den sidste skylning. Afhængigt af hyppigheden af brugen og indstillingen for afspændingsmidlet kan det være nødvendigt at påfylde rummet.

Indikatoren for lavt niveau af afspændingsmiddel (✳) lyser, når det er tid til at fylde rummet med afspændingsmiddel. Rummet til afspændingsmiddel må ikke fyldes ud over grænsen.

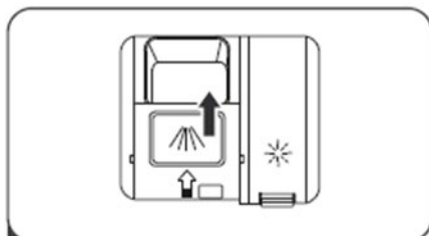
Påfyldning af opvaskemiddelrummet



1 Åbn låget ved at trykke på åbningsknappen.



2 Tilsæt maskinopvaskemiddel i opvaskemiddelrummet (A) til hovedopvaskefasen. For at opnå optimal renhed, især hvis opvasken er meget beskidt, skal du hælde en lille mængde opvaskemiddel på lågen (B). Det ekstra vaskemiddel aktiveres i foropvaskefasen.



3 Luk rummets låg ved at trykke på åbningsknappen.

BEMÆRK:

- Overhold producentens anbefalinger, der står på opvaskemidlets emballage.

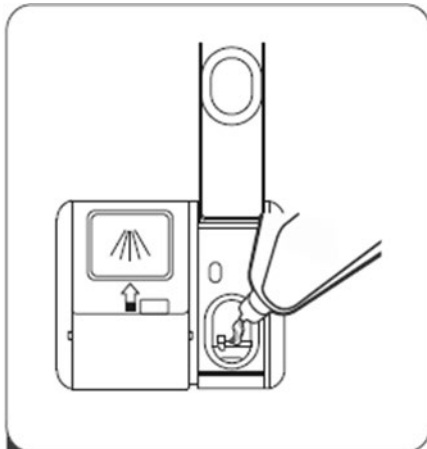
Påfyldning af rummet til afspændingsmiddel



- 1** Åbn låget til rummet til afspændingsmiddel ved at løfte grebet.



- 3** Luk låget korrekt efter påfyldning af rummet.



- 2** Hæld langsomt afspændingsmidlet i rummet, så du undgår at fylde for meget i. Eventuelt spildt afspændingsmiddel skal tørres op med en klud.

Indstilling for afspændingsmiddel

Mængden af afspændingsmiddel, der frigives under den sidste skylning, kan justeres på følgende måde:

1. Åbn lågen, og tænd maskinen.
2. Inden for 60 sekunder efter at maskinen er tændt, skal du trykke på knappen Auto Rengøring i mere end 5 sekunder og derefter på knappen Forsinket Start for at aktivere indstillingstilstand for afspændingsmiddel. Indikatoren for afspændingsmiddel begynder at blinke.
3. Tryk på knappen Auto Rengøring igen for at vælge den indstilling, der passer til dine behov.

Indstillingerne ruller i følgende rækkefølge: D1->D2->D3->D4->D5->D1.

Jo højere tallet er, jo mere afspændingsmiddel bruger opvaskemaskinen.

Fabriksindstillingen er D3.

4. Når den ønskede indstilling er nået, skal du vente 5 sekunder eller trykke på Tænd/sluk-knappen for at gemme den valgte indstilling og forlade indstillingstilstanden.




VALG AF PROGRAM

Programoversigt

Tabellen viser forskellige oplysninger om programmerne.

Forbrugsværdierne og programmets varighed er vejledende, undtagen for ØKO-programmet. (●) angiver, at programmet bruger afspændingsmiddel i den sidste skylning.

Program	Beskrivelse af cyklus	Maskinopvaske middel til foropvask/hoved opvask	Varighed (min.)	Energiforbrug (kWh)	Vand (l)	Afspændingsmiddel
ICS+ ICS+	Foropvask (45°C) Opvask (55- 65°C) Skyl Skyl (50- 60°C) Tørring	<u>5/19 g</u> (1 eller 2 tabletter)	102-175	0,930-1,470	10,3-16,9	●
H+ Hygiejne 72°	Foropvask Opvask (72°C) Skyl Skyl Skylning (72°C) Tørring	<u>5/19 g</u> (1 eller 2 tabletter)	225	1,925	16,7	●
Lydsvag	Foropvask Opvask (60°C) Skyl Skyl Skylning (50°C) Tørring	<u>5/19 g</u> (1 eller 2 tabletter)	230	1,330	16,7	●
ECO (*EN60436)	Opvask (50°C) Skyl Skylning (45°C) Tørring	<u>24 g</u> (1 eller 2 tabletter)	205	0,769	9,5	●
90 min 90 min	Foropvask Opvask (0) Skyl Skyl (50) Tørring	<u>5/19 g</u> (1 eller 2 tabletter)	90	0,940	13,6	●
55' Opvask og tørring 55 min	Opvask (60°C) Skyl Skyl (50°C) Tørring	<u>24 g</u> (1 tablet)	55	0,795	11,3	●

Program	Beskrivelse af cyklus	Maskinopvaske middel til foropvask/hoved opvask	Varighed (min.)	Energiforbrug (kWh)	Vand (l)	Afspændingsmiddel
 Hurtig opvask 35 min	Opvask (55°C) Skyl Skyl (45°C)	18 g (1 tablet)	35	0,690	11,3	
 Foropvask	Foropvask	/	14	0,120	3,9	
 Auto rengøring	Opvask (70°C) Skylning Skyl (55°C)	24 g (1 tablet)	115	1,245	11,7	●

BEMÆRK:

ØKO: ØKO-programmet er velegnet til rengøring af normalt tilsmudset opvask. Det mest effektive program til dette formål hvad angår det kombinerede energi- og vandforbrug, hvilket gør det i overensstemmelse med den europæiske lovgivning om miljørigtigt design.

Varighed for funktion med automatiske åbning

Option	Program	Varighed (min)								
		ICS+	Hygiejne 72°	Lydsvag	ØKO	90 min	Opvask og tørring 55 min	Hurtig opvask 35 min	Foropvask	Auto rengøring
Med automatisk åbning		102-175	225	230	205	90	55	/	/	/
Uden automatisk åbning		121-189	239	264	220	90	55	35	14	115

BEMÆRK: Optionen med automatisk åbning kan ikke vælges samtidig med programmerne Hurtig opvask 35 min, Foropvask og Automatisk rengøring.

Energibesparelser

1. Forhåndsskylning af opvasken øger vand- og energiforbruget og anbefales ikke.
2. Opvask i en opvaskemaskine forbruger generelt mindre energi og vand end opvask i hånden, når opvaskemaskinen anvendes i overensstemmelse med brugsanvisningen.

Start af et program

1. Træk nederste og øverste kurve ud, fyld service i, skub dem ind igen.
2. Tilsæt maskinopvaskemidlet i rummet.
3. Tilkobl strøm til maskinen.
4. Sørg for, at vandforsyningen er åben, og at vandtrykket ligger inden for det korrekte område.
5. Åbn lågen, tryk på tænd/sluk-knappen.
6. Vælg et program, og tryk derefter på knappen Tænd. Luk lågen igen. Opvaskemaskinen starter programmet.

Sådan skifter du program under en cyklus

Et program kan kun ændres, hvis det har kørt i kort tid, ellers kan opvaskemidlet allerede være blevet frigivet, eller opvaskevandet med opvaskemidlet er allerede blevet udtømt. Hvis det er tilfældet, skal du nulstille opvaskemaskinen og tilsætte opvaskemiddel i rummet igen. For at nulstille opvaskemaskinen skal du følge nedenstående vejledning:

1. Åbn lågen på klem for at sætte cyklussen på pause. Når sprinklerarmene er gået helt i stå, kan du åbne lågen helt.
2. Tryk på Start/Stop-knappen og hold den nede i mere end tre sekunder for at sætte opvaskemaskinen i tilstand for programvalg.
3. Du kan ændre programmet ved at vælge den ønskede cyklus.
4. Tryk på Start/Stop-knappen, og luk derefter lågen, så starter opvaskemaskinen igen.



Du har glemt et fad

Du kan til enhver tid tilføje service, før rummet med opvaskemiddel åbnes. Følg nedenstående vejledning for at gøre dette:

1. Åbn lågen på klem for at stoppe vasken.
2. Når sprinklerarmene er gået helt i stå, kan du åbne lågen helt.
3. Isæt den glemte opvask i maskinen.
4. Luk lågen.
5. Opvaskemaskinen starter igen.



⚠ ADVARSEL

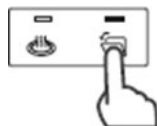


Det er farligt at åbne lågen under en cyklus: Den varme damp, der slipper ud, kan brænde dig.

Automatisk åbning

Ved afslutningen af et program åbnes lågen automatisk for at opnå en bedre tørreeffekt og reducere energiforbruget i tørrefasen.

Du kan trykke på knappen Automatisk åbning for at aktivere eller deaktivere den automatiske åbningsfunktion.



💡 BEMÆRK:

Lågen til opvaskemaskinen må ikke blokeres, når den er indstillet til automatisk åbning. Dette kan forstyrre låsens funktion.

FEJLKODER

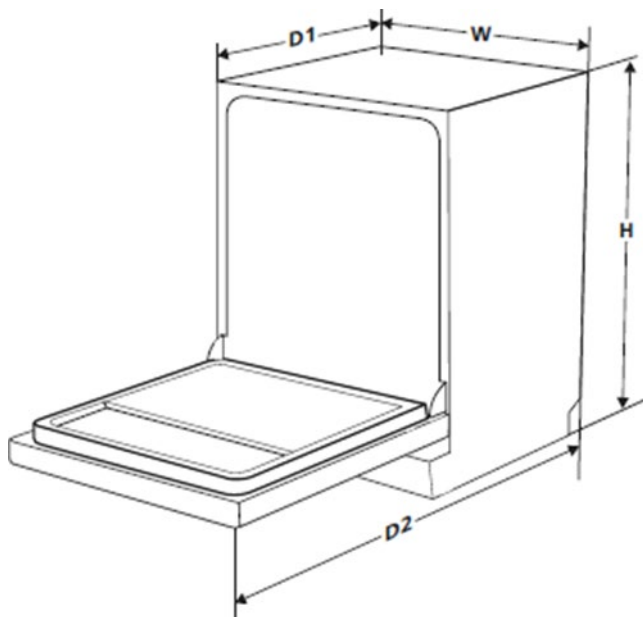
I tilfælde af en fejlfunktion viser opvaskemaskinen en fejlkode. Følgende tabel viser de mulige fejlkoder og deres årsager.

Kode	Fortolkning	Mulige årsager
E1	Vandforsyningen er for langsom	Vandhanen er lukket, vandtilførslen er blokeret, eller vandtrykket er for lavt
E3	Den krævede temperatur er ikke nået	Funktionsfejl i varmeelementet
E4	Overløb	Et element i opvaskemaskinen er utæt
Ec	Fejl i styresystemet for opvask	Fejl i PCB, udtømningspumpe eller motor
Ed	Kommunikationssvigt mellem det elektroniske hovedkort og det elektroniske displaykort	Åben kreds eller kortslutning i kommunikationen

ADVARSEL

- I tilfælde af overløb skal du lukke for vandindløbet, før du tilkalder en tekniker.
- Hvis der er vand i bunden af karret på grund af et overløb eller en lille lækage, skal du fjerne vandet, før du genstarter opvaskemaskinen.
- Hvis en fejlkode ikke kan løses, skal du søge hjælp hos en fagmand.

TEKNISKE OPLYSNINGER



Højde (H)	857 mm
Bredde (W)	598 mm
Dybde (D1)	550 mm (med lukket låge)
Dybde (D2)	1226 mm (med låge åben i 90°)

ADGANG TIL DATABASEN

For at få adgang til oplysningerne angående din model, der er lagret i produkternes database, i overensstemmelse med EU forordningen 2019/2017 og angående energimærkning, bedes du gå på internetadressen <https://eprel.ec.europa.eu/>

Søg efter din maskines reference på webstedet ved at indtaste servicereferencen, som er angivet på maskinens typeskilt.

Du kan også opnå disse oplysninger ved at fotografere "QR"-koden på din maskines energimærkning.

Eftersalgsservice

- **INDGREB**

Eventuelle indgreb på maskinen skal foretages af en kvalificeret tekniker, som er autoriseret af mærket. Når du kontakter denne tekniker skal du oplyse maskinens komplette reference (model, type, serienummer). Disse oplysninger står på typeskiltet. Du kan kontakte os fra mandag til lørdag fra kl. 8.00 til 20.00 på 06 69 39 34 34 (gratis service + opkaldspris).

- **ORIGINALE DELE**



Brandt France, Service
Consommateurs – **De Dietrich** –
5 avenue des Béthunes, BP 69526
St Ouen L'Aumône, 95060 Cergy
Pontoise Cedex

> eller ring til os på:

De Dietrich: 0892.02.88.04*

0,50 € inkl. moms/min. fra en fastnet-telefon

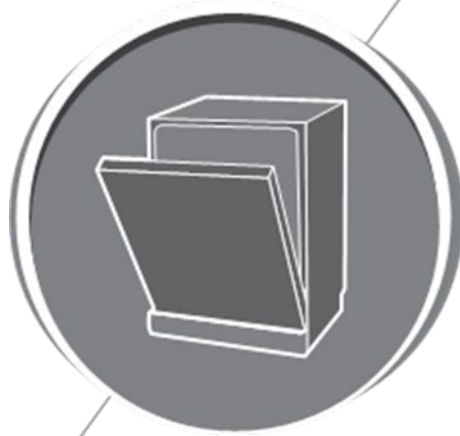
* Service leveret af Brandt France, et forenklet aktieselskab med en kapital på 1.000.000 €, 89/91 boulevard Franklin Roosevelt, 92500 Rueil-Malmaison - RCS Nanterre 801 250 531

Brandt France, et forenklet aktieselskab med en aktiekapital på 1 000 000 €, hvis hovedsæde er beliggende 89/91 boulevard Franklin Roosevelt, 92500 Rueil-Malmaison, registreret under nummer RCS Nanterre 801.250.531.

OPLYSNINGER:

Den minimale varighed med tilrådighed af reservedele, der er nævnt på listen i EU forordningen 2019-2022-EU, og som specielt er tilgængelige for brugeren af maskinen, er 10 år under de betingelser, der er gældende for denne forordning.

De Dietrich 



Geschirrspüler

Bedienungsanleitung

TEIL I: Allgemeine Hinweise

Lesen Sie diese Bedienungsanleitung für den Gebrauch Ihres Geschirrspülers aufmerksam durch. Bewahren Sie die Bedienungsanleitung auf, um später darauf zurückgreifen zu können.

INHALTSVERZEICHNIS

01	3	SICHERHEITSHINWEISE
02	8	AUFBAU DES GERÄTES
03	9	GEBRAUCH IHRES GESCHIRRSPÜLERS
	9	Einfüllen von Salz in den Wasserenthärter
	11	Hinweise zum Einräumen der Geschirrkörbe
	13	Große Mehrzweck-Hängeleiste
04	14	PFLEGE UND REINIGUNG
	14	Außenreinigung
	14	Innenreinigung
	17	Wartung des Geschirrspülers
	18	EINBAUHINWEISE
05	18	Hinweise zum Stromanschluss
	19	Wasserzufuhr und Abfluss
	20	Anschluss des Abflussrohrs
	21	Positionierung des Gerätes
	21	Einbau (bei Einbaugeräten)
06	25	FEHLERBEHEBUNG
	28	Verfügbarkeit von Ersatzteilen
07	29	EINRÄUMEN DER GESCHIRRKÖRBE



- Lesen Sie den Abschnitt zur Fehlerbehebung: er kann Ihnen dabei helfen, die geläufigsten Störungen selbst zu beheben.
- Wenn Sie die Störung nicht selbst beheben können, wenden Sie sich bitte an einen professionellen Techniker.
- Entsprechend seiner Unternehmensphilosophie der konstanten Entwicklung und Aktualisierung des Produkts kann der Hersteller ohne vorherige Ankündigung Änderungen des Produktes vornehmen.

SICHERHEITSHINWEISE

WARNHINWEIS

Beachten Sie bei der Benutzung Ihres Geschirrspülers bitte die nachfolgend aufgeführten Vorsichtsmaßnahmen:

- Einbau und Reparatur des Gerätes dürfen nur von einem qualifizierten Techniker durchgeführt werden.
- Dieses Gerät ist ausschließlich für den häuslichen Gebrauch und gleichartige Anwendungen wie:
 - Küchen in Geschäften, Büros und anderen Arbeitsumfeldern;
 - landwirtschaftliche Betriebe;
 - Hotels, Motels, Fremdenzimmer und andere Wohnumgebungen;
 - Einrichtungen mit Halbpension vorgesehen.
- Kinder ab 8 Jahren und Personen mit eingeschränkten körperlichen, sensorischen oder geistigen Fähigkeiten oder Personen, die nicht die erforderlichen Erfahrungen oder Kenntnisse besitzen, dürfen das Gerät nur unter Aufsicht einer erfahrenen Person benutzen, oder wenn sie die erforderlichen Anweisungen zur sicheren Bedienung des Gerätes erhalten haben und die bestehenden Risiken verstehen.
- Kinder dürfen nicht mit dem Gerät spielen. Reinigung und Wartung dürfen nicht von Kindern ohne Aufsicht durchgeführt werden. (Für EN 60335-1)

Dieses Gerät ist nicht vorgesehen, um von Personen (einschließlich Kinder) benutzt zu werden, deren physische, sensorische oder geistige Fähigkeiten beschränkt sind, oder von Personen ohne Erfahrung oder ohne Kenntnisse, außer

wenn sie durch eine für ihre Sicherheit verantwortliche Person von einer Überwachung oder von vorherigen Anweisungen hinsichtlich der Benutzung des Geräts profitieren konnten.

- Die Verpackungsmaterialien können für Kinder gefährlich sein!
- Dieses Gerät ist ausschließlich dem Hausgebrauch vorbehalten.

Um Stromschläge zu vermeiden, tauchen Sie das Gerät, das Kabel oder den Netzstecker niemals in Wasser oder eine andere Flüssigkeit ein.

- Bitte ziehen Sie vor jeder Reinigung oder Wartung des Gerätes den Netzstecker des Gerätes.
- Um Gefahren zu vermeiden, müssen beschädigte Netzkabel vom Hersteller, einem zugelassenen Reparateur oder einer Person mit vergleichbarer Qualifikation ausgetauscht werden.



Hinweise zur Erdung

- Dieses Gerät muss geerdet werden. Im Falle einer Störung oder Panne erlaubt die Erdung des Gerätes es, die Stromschlaggefahr zu mindern, da der Strom den Weg des geringsten Widerstands wählt. Dieses Gerät ist mit einem Erdungsstecker ausgestattet.
- Der Netzstecker muss an eine geeignete Stromquelle angeschlossen werden, die den lokalen Vorschriften entsprechend geerdet ist.
- Der mangelhafte Anschluss des Erdungsleiters kann einen Stromschlag verursachen.
- Bei Zweifeln in Bezug auf die Erdung des Gerätes, wenden Sie sich bitte an einen qualifizierten Elektriker oder einen Vertreter des Reparaturservices.
- Der mit dem Gerät gelieferte Stecker darf nicht verändert werden, wenn er nicht zur Steckdose passt.

- Falls dieser nicht zu Ihrer Steckdose passt, lassen Sie von einem qualifizierten Elektriker einen geeigneten Netzstecker einbauen.
- Bitte beschädigen Sie weder die Tür noch die Körbe des Geschirrspülers, indem Sie sich darauf setzen oder stellen.
- Benutzen Sie Ihren Geschirrspüler erst, wenn alle Wände korrekt montiert sind.
- Seien Sie vorsichtig, wenn Sie die Tür des Geschirrspülers während des Betriebs öffnen: es könnte Wasser entweichen.
- Stellen Sie keine schweren Gegenstände auf die Tür und steigen Sie nicht darauf, wenn diese geöffnet ist. Das Gerät könnte kippen:
- Wenn Sie schmutziges Geschirr einräumen:
 - 1) Stellen Sie spitze Gegenstände so hinein, dass sie die Türdichtung nicht beschädigen können;
 - 2) Achtung: Messer und andere schneidende Küchenutensilien können mit dem Kopf nach unten in den Besteckkorb gegeben oder waagrecht positioniert werden.
- Bestimmte Geschirrspülreiniger sind sehr alkalisch. Sie können bei Verzehr extrem gesundheitsgefährdend sein. Vermeiden Sie jeden Kontakt mit Haut und Augen und halten Sie Kinder vom Geschirrspüler fern, wenn die Gerätetür geöffnet ist.
- Stellen Sie am Ende des Reinigungszyklus sicher, dass keine Rückstände von Reinigern mehr vorhanden sind.
- Versichern Sie sich davon, dass alle Ihre Kunststoff-Küchenutensilien die Bezeichnung „spülmaschinenfest“ oder eine andere gleichwertige Bezeichnung tragen, bevor sie diese ins Gerät geben.
- Bei allen Kunststoff-Küchenutensilien, die keine Bezeichnung dieser Art tragen, überprüfen Sie die Herstellerempfehlungen.
- Benutzen Sie ausschließlich Geschirrrreiniger und Klarspüler, die für automatische Geschirrspüler empfohlen werden.

- Geben Sie niemals Seife, Waschpulver oder Handgeschirrspülmittel in Ihren Geschirrspüler.
- Lassen Sie die Tür des Gerätes niemals offen stehen (Sturzgefahr).
- Achten Sie bei der Installation des Gerätes darauf, die Versorgungsleitungen nicht übermäßig oder auf gefährliche Weise zu knicken oder platt zu drücken.
- Die Bedientasten dürfen nicht verändert werden.
- Das Gerät muss mit neuen Schläuchen an den Hauptversorgungshahn angeschlossen werden. Benutzen Sie keine alten Schläuche.
- Im Sinne eines energiesparenden Betriebes schaltet das Gerät im Standby-Betrieb ab, wenn es nach 15 Minuten nicht eingeschaltet wird.
- Das max. Fassungsvermögen des Gerätes beträgt 16 Bestecke.
- Der zulässige Wasserdruck in der Zuflussleitung beträgt 0,04-1 MPa.

Entsorgung

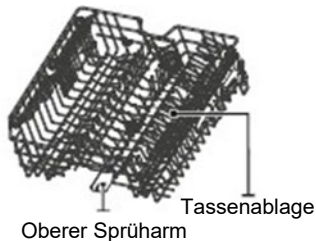
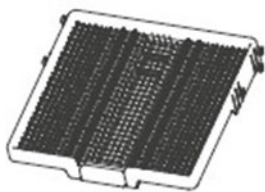
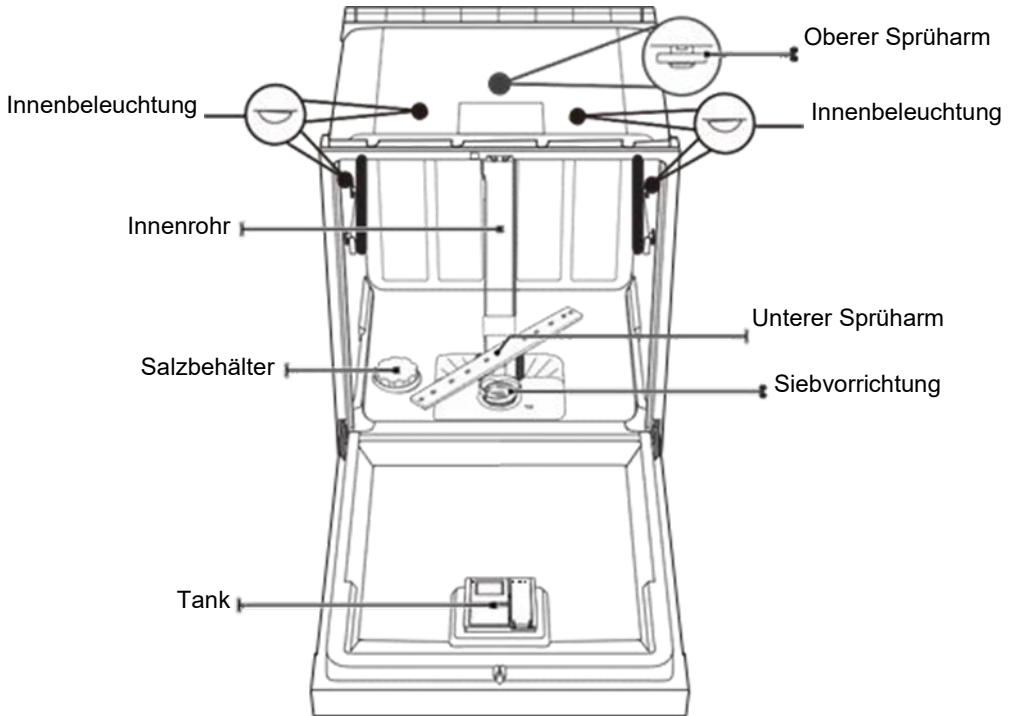
- Suchen Sie einen Wertstoffhof auf, um Ihr Gerät und seine Verpackung zu entsorgen. Um dies zu tun, müssen Sie das Versorgungskabel abtrennen und das Türverriegelungssystem unbenutzbar machen.
- Die Kartonverpackung ist aus recyclingfähigem Papier hergestellt und muss mit dem Papierabfall entsorgt werden, um recycelt zu werden.
- Mit der fachmännischen Entsorgung des Gerätes schützen wir die Umwelt und unsere Gesundheit, weil damit sichergestellt wird, dass die Abfälle unter optimalen Bedingungen entsorgt werden.
- Weitere Auskünfte zum Recycling dieses Produkts können Sie bei Ihrem Bürgermeisteramt und der örtlichen Müllentsorgungsstelle einholen..
- **ENTSORGUNG: Entsorgen Sie dieses Produkt nicht mit dem unsortierten Siedlungsmüll. Dieses Gerät muss getrennt entsorgt werden, um angemessen behandelt werden zu können.**



AUFBAU DES GERÄTES

❶ WICHTIG:

Um die optimale Leistung des Geschirrspülers zu gewährleisten, lesen Sie bitte vor der ersten Benutzung sämtliche Bedienungshinweise.

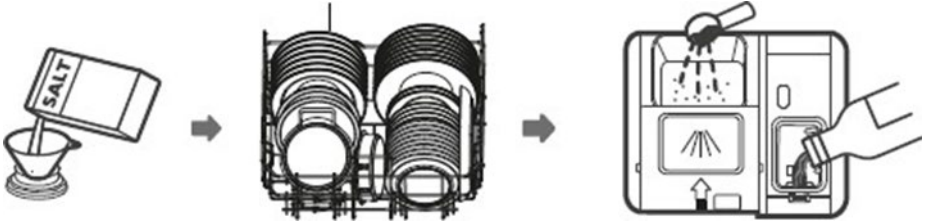


💡 ANMERKUNG:

Die Abbildungen dienen lediglich der Veranschaulichung, die einzelnen Gerätemodelle können sich voneinander unterscheiden.

GEBRAUCH IHRES GESCHIRRSPÜLERS

Vor Gebrauch Ihres Geschirrspülers:



1. Stellen Sie den Wasserenthärter ein
2. Füllen Sie Salz in den Wasserenthärter ein
3. Räumen Sie die Geschirrkörbe ein
4. Füllen Sie die Reinigerkammer



Siehe Abschnitt 1 „Wasserenthärter“ des TEILS II / besondere Hinweise für die Einstellung des Wasserenthärters.



ANMERKUNG:

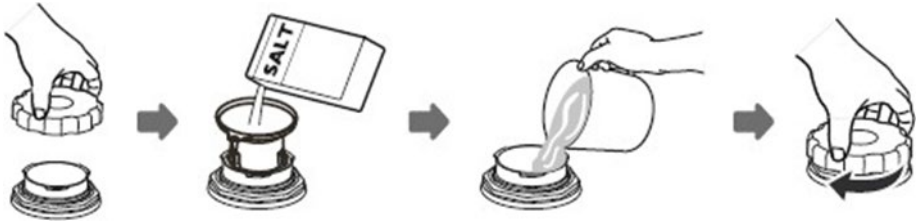
Wenn Ihr Modell nicht mit einem Wasserenthärter ausgerüstet ist, können Sie diesen Abschnitt überspringen. Achten Sie darauf, nur Speisesalz für den Geschirrspüler zu benutzen.

Der Salzbehälter befindet sich unter dem Unterkorb und muss nach dem folgenden Verfahren aufgefüllt werden:

⚠️ WARNHINWEIS

- **Benutzen Sie nur speziell für Geschirrspüler konzipiertes Salz!**
Alle anderen nicht speziell für Geschirrspüler konzipierten Salzarten und insbesondere Speisesalz würden den Wasserenthärter beschädigen. Wird das Gerät durch die Verwendung von ungeeignetem Salz beschädigt, leistet der Hersteller keinerlei Garantie und kann nicht für entstandene Schäden haftbar gemacht werden.
- **Bitte füllen Sie nur vor einem Reinigungszyklus Salz nach.**
Dadurch wird verhindert, dass eventuell verschüttete Salzkörner oder Salzwasser längere Zeit am Boden des Gerätes verbleiben, was zur Korrosion der Oberfläche führen könnte.

Zum Auffüllen des Spezi­alsalzes für Geschirrspüler gehen Sie wie folgt vor:



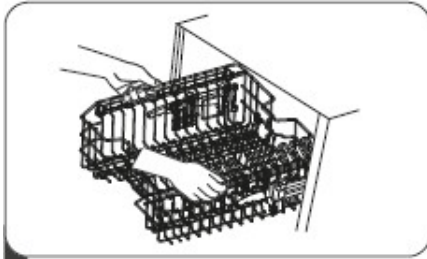
1. Ziehen Sie den Unterkorb heraus und entfernen Sie den Deckel des Salzbehälters.
2. Das Ende des (mitgelieferten) Trichters in die Öffnung einsetzen und etwa 0,6 kg Spezi­alsalz für Geschirrspüler hineinschütten.
3. Befüllen Sie den Salzbehälter, bis die maximale Füllhöhe erreicht ist. Es ist normal, dass eine kleine Menge Wasser aus dem Salzbehälter läuft.
4. Nach dem Befüllen des Salzbehälters den Deckel wieder aufschrauben und gut festziehen.
6. Nach dem Einfüllen von Salz ein Reinigungsprogramm (wir empfehlen ein Kurzprogramm) starten, um zu vermeiden dass die Pumpe, das Sieb­system oder andere wichtige Bestandteile des Gerätes durch das Salzwasser beschädigt werden. Die durch Salzwasser verursachte Beschädigung wird nicht von der Garantie gedeckt.

ANMERKUNG:

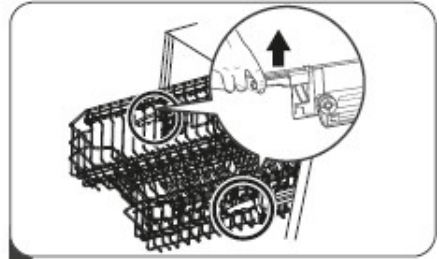
- Der Salzbehälter darf nur dann gefüllt werden (↪), wenn die Salzwarnleuchte der Bedienleiste aufleuchtet. Je nach Auflösungs­geschwindigkeit des Salzes ist es möglich, dass die Salzwarnleuchte selbst nach Füllen des Behälters noch leuchtet.
Ist die Bedienleiste nicht mit einer Salzwarnleuchte ausgerüstet, (dies betrifft bestimmte Gerätemodelle), entscheiden Sie selbst je nach der Zahl der Spülzyklen Ihres Geschirrspülers, wann Sie Salz in den Wasserenthärter einfüllen.
- Falls Sie Salz verschüttet haben, starten Sie ein Einweichprogramm oder ein Schnellprogramm, um es auszuspülen.

Hinweise zum Einräumen der Geschirrkörbe

Einstellung des Oberkorbs



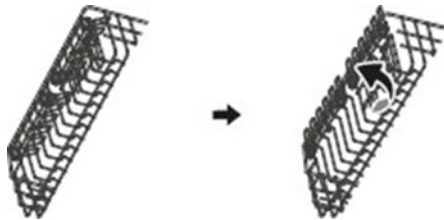
1 Zum Höhersetzen des Oberkorbs diesen auf beiden Seiten in der Mitte anheben, bis er in der oberen Position einrastet. Ein Anheben der Einstellgriffe ist nicht erforderlich.



2 Zum Absenken des Oberkorbs die Einstellgriffe auf jeder Seite anheben, um den Korb zu entfernen und in die untere Position einzusetzen.

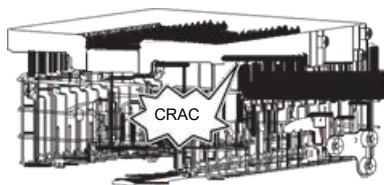
Herunterklappen der Tassenablagen

Um im Oberkorb Platz für größere Geschirteile zu gewinnen, klappen Sie die Tassenablage nach oben. Dann können Sie große Gläser an diese Tassenablage stellen. Sie können die Tassenablage auch komplett entnehmen, wenn Sie sie nicht benötigen.



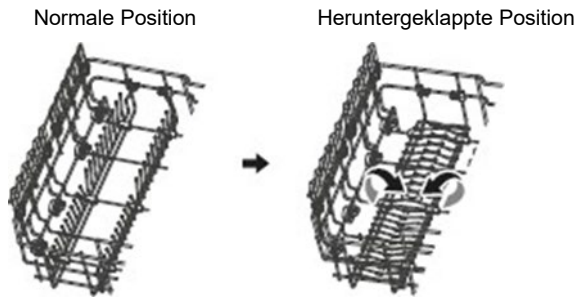
ANMERKUNG:

Rastet der Oberkorb in der oberen Position ein, kann die Tassenablage nicht heruntergeklappt werden.



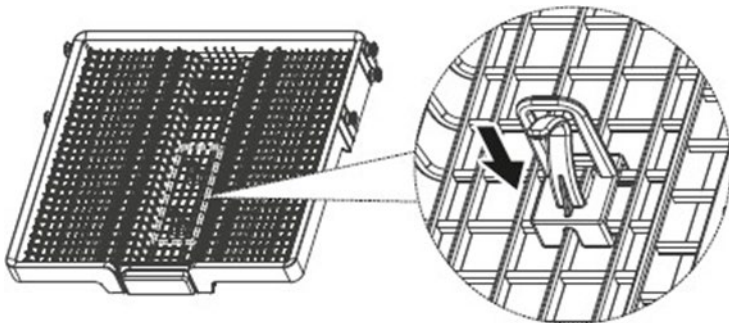
Herunterklappen der Spindeln

Mit Hilfe der Spindeln des Unterkorbs können Teller und Platten in den Geschirrspüler eingelegt werden. Durch das Herunterklappen dieser Spindeln gewinnen Sie Platz für größere Servierplatten.

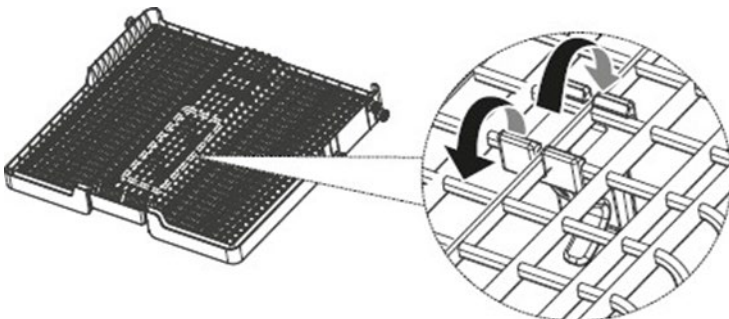


Schnullerhalterung

Diese Halterung wird durch Festklemmen in der entsprechenden Position (siehe Abbildung) befestigt. Sie kann zur Befestigung von Kleinteilen, wie z. B. einem Schnuller verwendet werden.



Zum Herausziehen der Halterung fassen Sie mit den Händen darunter und lösen die Arretierungen (siehe Abbildung).



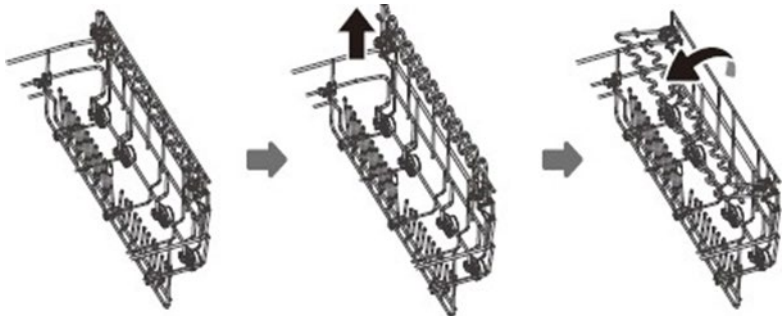
Große Mehrzweck-Hängeleiste

Sie bietet einen sicheren und flexiblen Platz für große Küchenutensilien, wie z. B. Backbleche und Schneidbretter. Sie ermöglicht auch das Einräumen großer Weingläser.



Wenn Sie diese verwenden möchten, einfach an der Halterung ziehen und die Leiste herausziehen.

Sie können die Halterung wieder einklappen, wenn Sie die Leiste nicht mehr benötigen. Im zusammengeklappten Zustand benötigt diese Leiste keinen zusätzlichen Platz.



PFLEGE UND REINIGUNG

Außenreinigung

Tür und Türdichtung

Die Türdichtungen regelmäßig mit einem feuchten und nicht scheuerndem Tuch reinigen, um Lebensmittelreste zu entfernen.

Beim Einräumen Ihres Geschirrspülers kann es vorkommen, dass Speisereste oder Flüssigkeiten die Seiten der Gerätetür verschmutzen. Diese Oberflächen befinden sich an der Außenseite des Spülbereichs und liegen außerhalb der Reichweite des Wassers, das von den Sprüharmen versprüht wird. Eventuelle Reste vor dem Schließen der Geschirrspülertür entfernen.

Bedienleiste

Zum Reinigen der Bedienleiste diese einfach mit einem feuchten und nicht scheuernden Tuch abwischen.

WARNHINWEIS

- Um das Eindringen von Wasser in die Türschließvorrichtung und die Elektronikbestandteile zu vermeiden, verwenden Sie nie Reinigungsmittel in Sprayform.
- Verwenden Sie nie Scheuermittel oder Scheuerschwämme auf Außenflächen, da diese die Beschichtung verkratzen. Bestimmte Papierhandtücher können ebenfalls die Oberfläche verkratzen oder Spuren darauf hinterlassen.

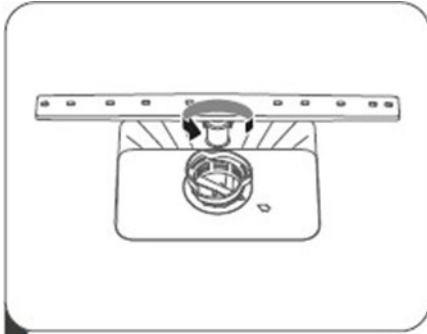
Innenreinigung

Siebsystem

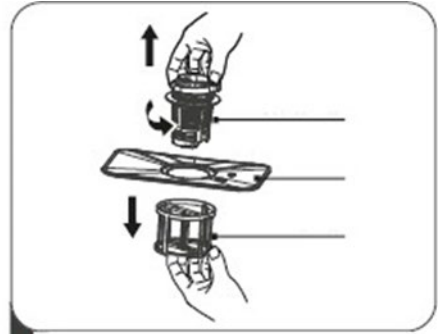
Das Siebsystem, das sich auf dem Geräteboden befindet, sammelt grobe Reste während des Reinigungszyklus, einschließlich Fremdkörper, wie z. B. Zahnstocher oder Scherben. Die gesammelten Rückstände können die Siebe verstopfen. Kontrollieren Sie (einmal monatlich) den Zustand der Siebe. Entfernen Sie Fremdkörper sorgfältig und reinigen Sie falls erforderlich die Teile des Siebsystems mit Wasser. Zum Reinigen des Siebs gehen Sie wie nachfolgend beschrieben vor.

ANMERKUNG:

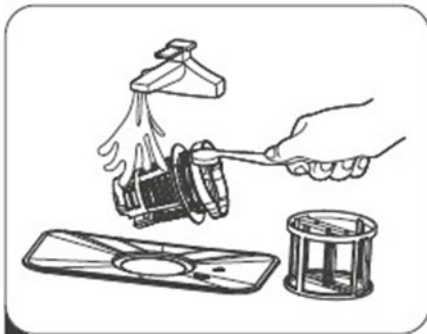
Die Abbildungen dienen lediglich der Veranschaulichung, die einzelnen Siebsysteme und Sprüharme können sich voneinander unterscheiden.



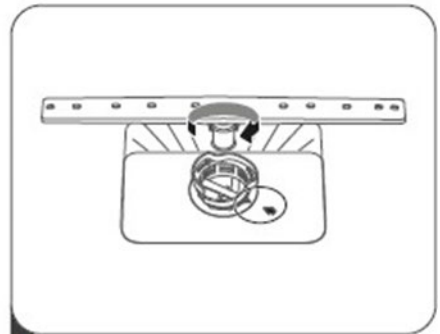
1 Halten Sie das Primärsieb und drehen Sie es zum Entriegeln entgegen den Uhrzeigersinn. Heben Sie das Sieb an und entfernen Sie es aus dem Geschirrspüler.



2 Sie können das Feinsieb herausziehen, das sich auf der Unterseite der Siebvorrichtung befindet. Zum Lösen des Primärsiebs vom Hauptsieb drücken Sie vor dem Herausziehen des Filters vorsichtig auf die Arretierungen oben.



3 Zum Entfernen der meisten Speisereste spülen Sie das Sieb unter fließendem Wasser aus. Für eine gründlichere Reinigung verwenden Sie eine nicht scheuernde Reinigungsbürste.



4 Zum Wiedereinsetzen der Siebe führen Sie die Schritte zur Demontage in umgekehrter Reihenfolge aus. Setzen Sie das Siebssystem wieder ein und drehen es im Uhrzeigersinn in Pfeilrichtung Schließen.

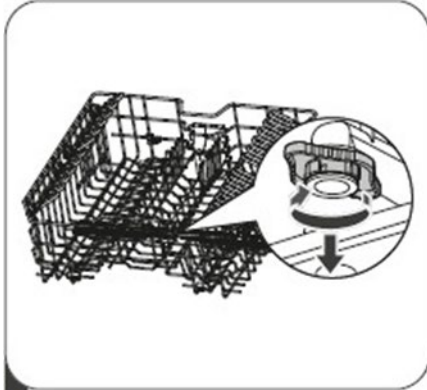
⚠ WARNHINWEIS

- Die Siebe nicht zu fest anziehen. Die Siebe wieder in der richtigen Reihenfolge einbauen, diese korrekt verschrauben, damit keine groben Reste in das System eindringen und eine Verstopfung verursachen.
- Den Geschirrspüler nie ohne Siebe betreiben. Ein falsch eingesetztes Sieb kann das Leistungsniveau des Gerätes mindern und Ihr Geschirr beschädigen.

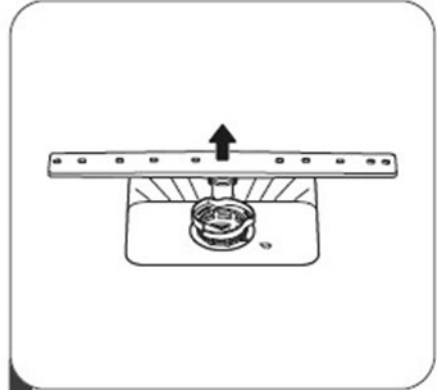
Sprüharm

Es ist erforderlich, die Sprüharme regelmäßig zu reinigen, um zu vermeiden, dass die im Wasser gelösten chemischen Teilchen die Düsen und Lager der Sprüharme blockieren.

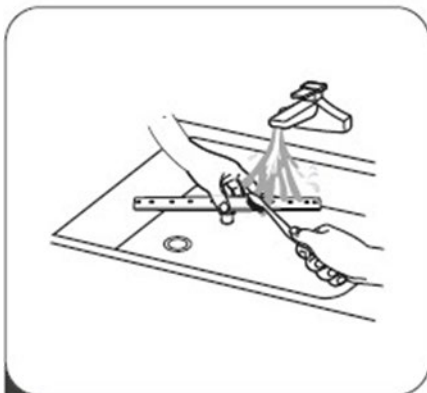
Zum Reinigen der Sprüharme befolgen Sie die folgenden Hinweise:



- 1** Um den oberen Sprüharm zu entfernen, halten Sie die Mutter mittig fest und drehen den Sprüharm zum Herausziehen im Uhrzeigersinn.



- 2** Um den unteren Sprüharm herauszuziehen, ziehen Sie ihn nach oben.



- 3** Reinigen Sie die Arme in lauwarmem Seifenwasser und reinigen Sie die Düsen mit einer weichen Bürste. Spülen Sie sie gut ab und setzen Sie sie wieder ein.

Wartung des Geschirrspülers

Frostschutz-Vorsorgemaßnahmen

Denken Sie daran, im Winter für Ihren Geschirrspüler Frostschutzmaßnahmen zu ergreifen. Nach jedem Reinigungszyklus gehen Sie wie folgt vor:

1. Trennen Sie den Geschirrspüler von der Stromversorgung.
2. Stellen Sie die Wasserzufuhr ab und trennen Sie den Wasserzulaufschlauch vom Wasserhahn.
3. Entleeren Sie das Wasser aus dem Zulaufschlauch und aus dem Wasserhahn. (Benutzen Sie einen Topf, um das Wasser aufzufangen)
4. Schließen Sie den Wasserzulaufschlauch wieder an den Wasserhahn an.
5. Entfernen Sie das Sieb am Wannenboden und saugen Sie das im Becken vorhandene Restwasser mit einem Schwamm auf.

Nach jeder Reinigung

Schließen Sie die Wasserzufuhr nach jeder Reinigung und lassen Sie die Tür einige Minuten lang leicht geöffnet, damit Feuchtigkeit und Gerüche entweichen.

Ziehen Sie den Netzstecker aus der Steckdose

Bitte ziehen Sie vor jeder Reinigung oder Wartung des Gerätes den Netzstecker.

Reinigung ohne Lösungsmittel oder Scheuermittel

Um die Außenseite und die Gummiteile des Geschirrspülers zu reinigen, benutzen Sie bitte weder Lösungsmittel noch Scheuermittel. Benutzen Sie ein mit lauwarmem Seifenwasser getränktes Tuch.

Um Spuren an den Oberflächen des Innenraums zu entfernen, benutzen Sie ein Tuch, das zuvor mit Wasser und ein wenig Essig oder einem speziell für Geschirrspüler geeigneten Reinigungsmittel angefeuchtet wurde.

Nichtgebrauch für einen längeren Zeitraum

Es wird empfohlen, einen Reinigungszyklus im leeren Zustand vorzunehmen, das Gerät von der Netzspannung zu trennen, die Wasserzufuhr zu schließen und die Tür leicht geöffnet zu lassen. Dies ermöglicht es, die Lebensdauer der Türdichtungen zu optimieren und die Bildung von Gerüchen im Geräteinnenraum zu vermeiden.

Bewegen des Gerätes

Wenn Sie das Gerät bewegen müssen, versuchen Sie, es dabei aufrecht zu halten. Wenn es unbedingt notwendig ist, können Sie es auf die Rückseite legen.

Dichtungen

Ein Faktor, der die Bildung von Gerüchen im Geschirrspüler fördert, ist das Vorhandensein von Speiseresten in den Dichtungen. Die regelmäßige Reinigung der Dichtungen mit einem feuchten Schwamm erlaubt es, dieses Phänomen zu vermeiden.

EINBAUHINWEISE

⚠ WARNHINWEIS



Gefahr eines Stromschlags

Schalten Sie vor der Installation des Geschirrspülers die Stromversorgung ab. Die Nichteinhaltung dieser Vorschrift kann Verletzungen mit Todesfolge oder Stromschlag verursachen.

⚠ Achtung

Der Anschluss der Leitungen und der Elektrik muss von einem Fachmann durchgeführt werden.

Hinweise zum Stromanschluss

⚠ WARNHINWEIS

Zu Ihrer Sicherheit:

- Benutzen Sie an diesem Gerät weder Verlängerungen noch Adapter.
- Trennen oder entfernen Sie unter keinen Umständen die Erdanschlüsse.

Stromversorgung

Elektrischer Anschluss

Stellen Sie sicher, dass Spannung und Stromfrequenz mit dem Typenschild Ihres Gerätes übereinstimmen. Bitte schließen Sie den Netzstecker erst an, wenn der Erdanschluss gewährleistet ist. Wenn die Wandsteckdose, an die das Gerät angeschlossen werden muss, nicht geeignet ist, wechseln Sie diese aus, bevor Sie einen Adapter oder eine andere Vorrichtung benutzen, die Überhitzung und Verbrennungen verursachen können.

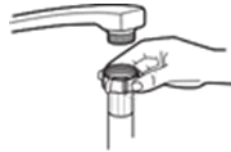
⚠ Stellen Sie sicher, dass ein geeigneter Erdanschluss besteht, bevor Sie das Gerät benutzen.

Wasserzufuhr und Anschluss

Kaltwasseranschluss

Schließen Sie den Kaltwasserzulaufschlauch an eine 3/4 (Zoll) Rohrverschraubung an und stellen Sie sicher, dass er korrekt festsitzt.

Wenn Ihre Wasserschläuche neu sind oder lange Zeit nicht benutzt worden sind, lassen Sie erst einmal Wasser laufen, um zu überprüfen, ob es klar ist. Diese Vorsichtsmaßnahme ist notwendig, um zu vermeiden, dass die Wasserzufuhr blockiert ist und das Gerät beschädigt wird.



Gewöhnliche Wasserzufuhrleitung



Gesicherte Wasserzufuhrleitung

Informationen zur gesicherten Wasserzufuhrleitung

Die gesicherte Wasserzufuhrleitung ist doppelwandig. Dieses System verhindert die Wasserzufuhr bei beschädigter Leitung oder wenn die Luftschleuse zwischen Wasserzufuhrleitung und flexiblem Außenschlauch mit Wasser gefüllt ist.

⚠️ WARNHINWEIS

Ein Schlauch, der an einen Wasserhahn angeschlossen ist, kann explodieren, wenn er an der gleichen Wasserzufuhr wie der Geschirrspüler angeschlossen ist. Ist Ihre Spüle mit einem solchen Schlauch ausgestattet, empfehlen wir diesen zu demontieren und den Anschluss abzusperrern.

Anschluss der gesicherten Wasserzufuhrleitung

1. Nehmen Sie die Schläuche für die gesicherte Wasserzufuhrleitung aus dem Fach, das sich an der Rückwand des Geschirrspülers befindet.
2. Verschrauben Sie die gesicherte Wasserzufuhrleitung mit Hilfe einer 3/4 Verbindung mit dem Wasserhahn.
3. Öffnen Sie die Wasserzufuhr komplett, bevor Sie den Geschirrspüler starten.

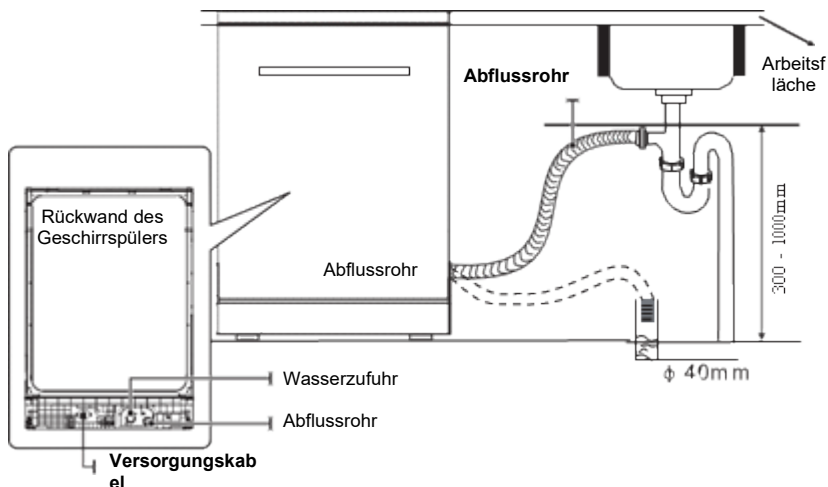
Demontage der gesicherten Wasserzufuhrleitung

1. Schalten Sie die Wasserversorgung ab.
2. Schrauben Sie den Schlauch der gesicherten Wasserzufuhrleitung ab.

Anschluss des Abflussrohrs

Das Abflussrohr in eine Abflussleitung von mindestens 4 cm Durchmesser stecken oder in die Spüle laufen lassen, wobei es nicht geknickt werden darf. Die Höhe des Abflussrohrs muss geringer als 1000 mm sein. Um jeglichen Rückfluss zu verhindern, darf das freie Rohrende nicht in Wasser eingetaucht sein.

⚠ Befestigen Sie das Abflussrohr in der Position A oder B, damit es stabil an seinem Platz gehalten wird.



Entleerung von überschüssigem Wasser aus den Schläuchen

Erfolgt der Anschluss an das Abflussrohr in einer Höhe von mehr als 1000 mm, kann sich im Abflussrohr überschüssiges Wasser ansammeln. Es ist notwendig, das überschüssige Wasser in eine Schüssel oder einen anderen geeigneten Behälter, der von außen und niedriger als die Spüle gehalten wird, zu entleeren.

Wasserabfluss

Schließen Sie den Abflussschlauch an. Der Abflussschlauch muss korrekt installiert werden, um Wasserlecks zu vermeiden. Stellen Sie sicher, dass der Abflussschlauch weder geknickt noch zusammengedrückt ist.

Verlängerungsschlauch

Falls Sie zur Entleerung einen Verlängerungsschlauch brauchen, dann benutzen Sie bitte einen ähnlichen Schlauch.

Der Anschluss an den Siphon darf sich maximal 1000 mm über der Unterkante des Geschirrspülers befinden.

Positionierung des Gerätes

Stellen Sie das Gerät am gewünschten Platz auf. Die Rückseite des Gerätes muss an eine Wand gestellt werden und die Seitenwände an die anliegenden Gehäusewände oder Wände. Der Geschirrspüler ist mit Wasserzufuhr- und Wasserabflussleitungen ausgerüstet, die für leichteren Einbau sowohl links als auch rechts positioniert werden können.

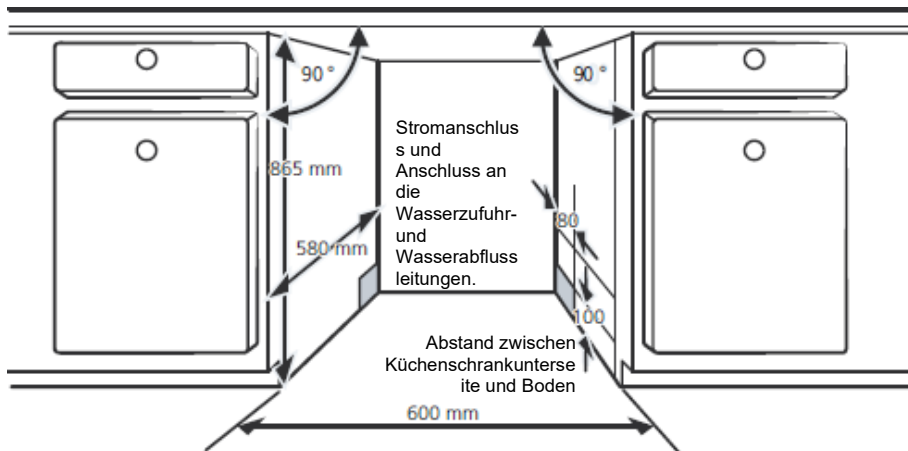
Einbau (bei Einbaugeräten)

Schritt 1. Wahl des am besten geeigneten Einbauortes des Geschirrspülers

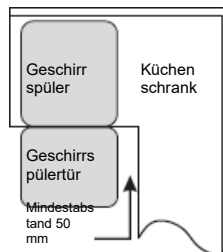
Der Geschirrspüler muss in der Nähe der vorhandenen Wasserzufuhr- und Wasserabflussleitungen sowie in der Nähe einer Steckdose platziert werden.

Abbildungen der Abmessungen des Einbauortes und der Einbauposition des Geschirrspülers.

1. Weniger als 5 mm zwischen Oberseite Geschirrspüler und Arbeitsfläche; Außenwand zu den Möbeln ausgerichtet.



2. Bei Einbau des Geschirrspülers in einer Ecke muss ein Sicherheitsabstand für das Öffnen der Tür eingeplant werden.



⚡ ANMERKUNG:

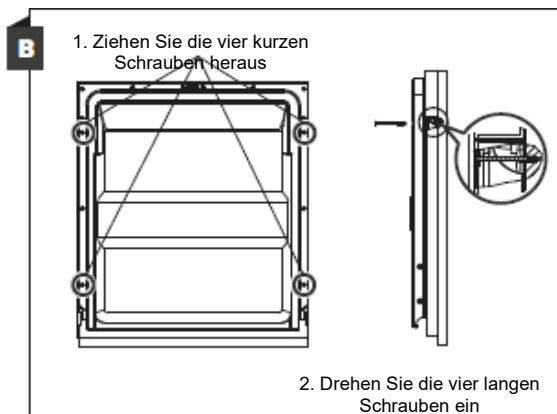
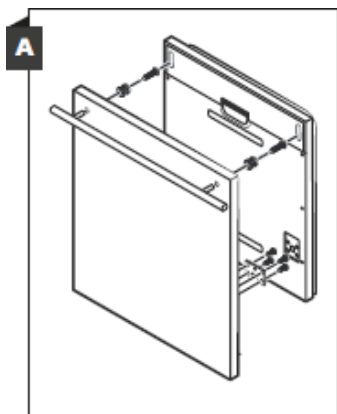
Je nach Position Ihrer Steckdose müssen Sie eventuell eine Öffnung in die Seitenwand des neben dem Geschirrspüler aufgestellten Wandschranks schneiden.

Schritt 2. Abmessungen und Installation der Vorsatzplatte



Befolgen Sie die speziellen Einbauhinweise für die Befestigung der Vorsatzplatte der Geschirrspülertür.

Einbaugerät

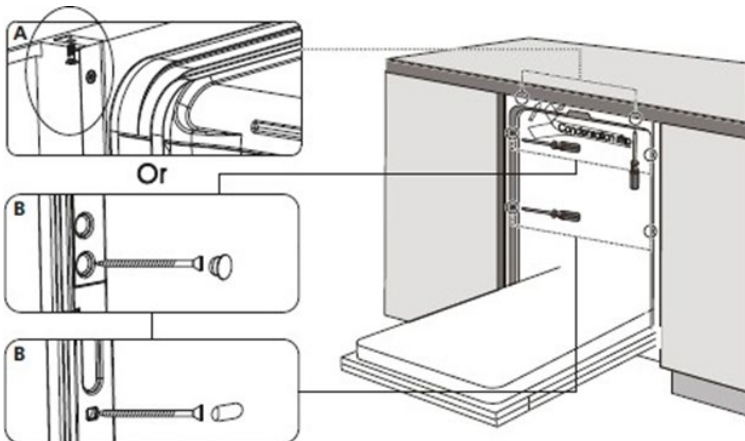


Schritt 3. Schritte zur Installation des Geschirrspülers



Befolgen Sie die speziellen Einbauschritte, die auf den Einbauzeichnungen angegeben sind.

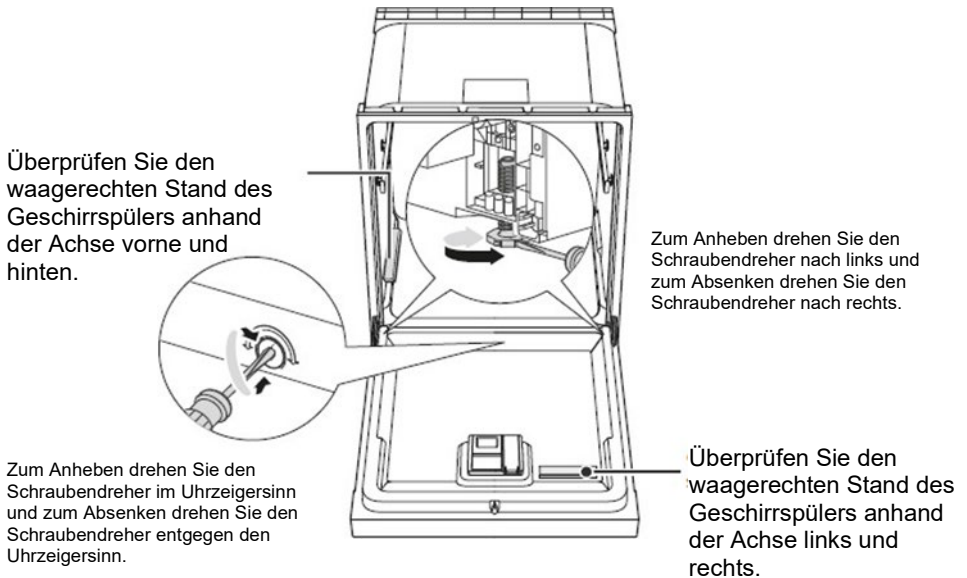
1. Bauen Sie die Vorsatzplatte in die Außentüre des Geschirrspülers ein. (Schritt 2 bis Schritt 5)
2. Stellen Sie die Spannung der Türfedern anhand eines flachen Sechskantschlüssels durch Drehen im Uhrzeigersinn ein, dies spannt die Federn rechts und links von der Tür. Die Nichteinhaltung dieser Anweisung könnte Ihren Geschirrspüler beschädigen. (Schritt 6)
3. Kleben Sie das Anti-Kondensationsband unter die Arbeitsfläche. Vergewissern Sie sich, dass das Anti-Kondensationsband mit dem Rand der Arbeitsfläche bündig ist. (Schritt 8)
4. Schließen Sie den Wasserzulaufschlauch wieder an den Kaltwasserhahn an. (Schritt 9)
5. Schließen Sie den Abflussschlauch an. (Schritt 9)
6. Schließen Sie das Versorgungskabel an. (Schritt 9)
7. Schieben Sie den Geschirrspüler in die dafür vorgesehene Einbauöffnung ein. (Schritt 10)
8. Nivellieren Sie den Geschirrspüler. Den hinteren Fuß des Geschirrspülers stellen Sie von der Gerätevorderseite aus durch Drehen der Kreuzschlitzschraube ein, die sich in der Mitte der Geräteunterseite befindet. Verwenden Sie dazu einen Kreuzschraubenzieher. Zur Ausrichtung des vorderen Gerätefußes drehen Sie diesen mit Hilfe eines Flachschraubenziehers, bis der Geschirrspüler korrekt nivelliert ist. (Schritt 11)
9. Der Geschirrspüler muss korrekt befestigt werden. Je nach Einbausituation wählen Sie zwischen einer oberen oder einer seitlichen Befestigung. Folgender Arbeitsschritt ist auszuführen: (Schritt 12)
 - A. Normale Arbeitsfläche: Setzen Sie den Einbauhaken in die Nut der seitlichen Wand ein und befestigen Sie sie mit Hilfe einer Schraube an der Arbeitsfläche.
 - B. Arbeitsfläche aus Marmor oder Granit. Befestigen Sie die Seitenwand mit Hilfe von Schrauben.



Schritt 4. Nivellierung des Geschirrspülers

Für die einwandfreie Funktion der Geschirrkörbe und eine perfekte Reinigungsleistung muss der Geschirrspüler nivelliert werden.

1. Legen Sie eine Wasserwaage wie abgebildet auf die Tür und die Korbschiene im Inneren der Spülwanne, um sicherzustellen, dass der Geschirrspüler wirklich waagrecht steht.
2. Nivellieren Sie den Geschirrspüler durch individuelle Einstellung der drei Einstellfüße.
3. Achten Sie bei der Nivellierung darauf, dass der Geschirrspüler nicht umkippt.



ANMERKUNG:

Die maximale Einstellungshöhe der Füße beträgt 50 mm.

FEHLERBEHEBUNG

Vor dem Einsatz eines Technikers

Das Lesen der folgenden Tabellen kann den Einsatz eines Technikers vermeiden.

Störung	Mögliche Ursachen	Abhilfemaßnahmen?
Der Geschirrspüler startet nicht	Eine Sicherung oder der Schutzschalter hat ausgelöst.	Wechseln Sie die Sicherung aus oder schalten Sie den Schutzschalter wieder ein. Trennen Sie alle anderen Elektrogeräte, die an den gleichen Stromkreis wie Ihr Geschirrspüler angeschlossen sind vom Stromnetz.
	Das Gerät steht nicht unter Spannung.	Überprüfen Sie, ob der Geschirrspüler unter Spannung steht und die Tür korrekt geschlossen ist. Überprüfen Sie, ob das Stromkabel korrekt an die Netzsteckdose angeschlossen ist.
	Der Wasserdruck ist schwach	Überprüfen Sie, ob die Wasserzufuhr korrekt angeschlossen und der Hahn geöffnet ist.
	Die Tür des Geschirrspülers ist nicht korrekt geschlossen.	Stellen Sie sicher, dass Tür und Türschloss korrekt geschlossen sind.
Der Geschirrspüler pumpt kein Wasser.	Der Abflussschlauch ist verbogen oder eingeklemmt.	Überprüfen Sie den Zustand des Abflussschlauchs.
	Das Sieb ist verstopft.	Überprüfen Sie das Siebsystem.
	Die Spüle ist verstopft.	Überprüfen Sie den Zustand Ihrer Spüle, um sicherzustellen, dass sie nicht verstopft ist. Wenn das Wasser aus Ihrer Spüle nicht richtig abläuft, dann sollten Sie einen Klempner bestellen anstatt einen Geschirrspüler-Fachmann zu rufen.
Schaum in der Spülwanne	Der verwendete Reiniger ist nicht geeignet.	Benutzen Sie nur Spezialreiniger für Geschirrspüler, um die Bildung von Schaum zu vermeiden. Gegebenenfalls öffnen Sie den Geschirrspüler und warten, bis sich der Schaum verflüchtigt hat. Geben Sie 1 Liter kaltes Wasser auf den Geräteboden des Geschirrspülers. Schließen Sie die Tür des Geschirrspülers und wählen Sie dann einen beliebigen Reinigungszyklus aus. Der Geschirrspüler beginnt damit, das Wasser ablaufen zu lassen. Öffnen Sie die Tür nach Ablauf des Wassers und überprüfen Sie, ob der Schaum verschwunden ist. Bei Bedarf den Vorgang wiederholen.

Störung	Mögliche Ursachen	Abhilfemaßnahmen?
	Es wurde Klarspüler ausgeschüttet.	Wischen Sie ausgeschütteten Klarspüler immer sofort auf.
Spülwanneninnenraum fleckig	Es wurde ein farbstoffhaltiger Reiniger benutzt.	Überprüfen Sie, ob der benutzte Reiniger Farbstoff enthält.
Dünne weiße Schicht auf den inneren Oberflächen	Das harte Wasser enthält Mineralien.	Zum Reinigen des Innenraums benutzen Sie ein weiches und feuchtes Tuch, tragen Sie dabei Gummihandschuhe. Benutzen Sie niemals andere Produkte, als diejenigen für Geschirrspüler, um die Gefahr von Schaumbildung zu vermeiden.
Rostspuren am Besteck	Die fleckigen Bestecke sind nicht korrosionsbeständig.	Legen Sie kein Besteck in den Geschirrspüler, das nicht spülmaschinenfest ist.
	Nach dem Einfüllen von Spezi­alsalz für Geschirrspüler wurde kein Programm gestartet. Salzspuren haben sich mit dem Reinigungszyklus vermischt.	Starten Sie nach dem Einfüllen von Salz immer ein Spülprogramm ohne Geschirr. Wählen Sie nach dem Einfüllen von Salz nie die Funktion Turbo (falls vorhanden).
	Der Deckel des Wasserenthärter ist nicht korrekt geschlossen.	Überprüfen Sie, dass der Deckel des Wasserenthärter korrekt geschlossen ist.
Stoßgeräusche im Geschirrspüler.	Einer der Sprüharme stößt an eines der Küchenutensilien, die sich im unteren Korb befinden.	Halten Sie das Programm an und stellen Sie diejenigen Küchenutensilien um, die den Sprüharm blockieren.
Klappernde Geräusche im Geschirrspüler	Bestecke sind im Geschirrspüler umgekippt.	Halten Sie das Programm an und ändern Sie die Anordnung der Bestecke.
Stoßgeräusche in den Wasserleitungen	Dies kann von der Installation vor Ort oder dem Durchmesser der Leitungen herrühren.	Dies hat keinerlei Einfluss auf die Leistung des Geschirrspülers. Falls Sie Zweifel haben, rufen Sie einen qualifizierten Klempner.
Das Geschirr ist nicht sauber	Das Geschirr wurde nicht korrekt in den Geschirrspüler eingeräumt.	Siehe TEIL II „Vorbereitung und Einräumen des Geschirrs“.
	Das gewählte Programm ist nicht leistungsfähig genug.	Wählen Sie das intensivste Programm.

Störung	Mögliche Ursachen	Abhilfemaßnahmen?
Das Geschirr ist nicht sauber.	Die Reinigermenge war nicht ausreichend.	Füllen Sie mehr Reiniger ein oder wechseln Sie den Reiniger.
	Küchenutensilien blockieren die Drehung der Sprüharme.	Ändern Sie die Anordnung der Utensilien, damit die Sprüharme unbehindert drehen können.
	Das Siebssystem ist nicht sauber oder ist nicht korrekt am Boden des Geschirrspülers befestigt. Dies kann die Düsen der Sprüharme verstopfen.	Reinigen Sie die Siebvorrichtung und/oder setzen Sie sie wieder korrekt ein. Reinigen Sie die Sprüharme.
Trübe Gläser .	Verbindung von weichem Wasser und zu viel Reiniger.	Benutzen Sie weniger Reiniger, wenn Sie weiches Wasser haben und wählen Sie einen kürzeren Zyklus, um die Gläser zu waschen und die Sauberkeit zu optimieren.
Weißer Flecken auf den Utensilien und den Gläsern.	Hartes Wasser kann Kalkablagerungen hervorrufen.	Überprüfen Sie die Einstellungen des Wasserenthärter oder den Füllzustand des Salzbehälters.
Schwarze oder graue Spuren auf dem Geschirr	Aluminiumartikel haben am Geschirr gerieben	Reinigen Sie das Geschirr mit einem milden Scheuermittel, um die Spuren zu entfernen.
Reinigerrückstände in der Reinigerkammer	Küchenutensilien blockieren die Reinigerkammer	Ändern Sie die Anordnung Ihres Geschirrs.
Das Geschirr ist nicht trocken	Falsche Anordnung der Küchenutensilien.	Verwenden Sie Handschuhe wenn Sie Reingerrückstände auf dem Geschirr entdecken, um Hautreizungen zu vermeiden.
	Das Geschirr wurde zu früh ausgeräumt.	Räumen Sie Ihren Geschirrspüler nicht sofort nach Beendigung des Reinigungszyklus aus. Öffnen Sie leicht die Tür, damit der Dampf entweichen kann. Warten Sie bis die Innentemperatur des Geschirrspülers ausreichend gesunken ist, um das Geschirr zu entnehmen. Räumen Sie zunächst den Unterkorb aus, damit das Wasser aus dem Oberkorb nicht auf das saubere Geschirr tropft.

Störung	Mögliche Ursachen	Abhilfemaßnahmen?
Das Geschirr ist nicht trocken	Das gewählte Programm war nicht geeignet.	Bei Kurzprogrammen ist die Reinigungstemperatur niedriger, dies reduziert die Reinigungsleistung. Wählen Sie ein lang andauerndes Programm.
	Das Besteck weist eine minderwertige Beschichtung auf.	Das Wasser läuft bei minderwertigen Beschichtungen schwieriger ab. Bestecke oder Geschirr dieser Art sind nicht für den Geschirrspüler geeignet.

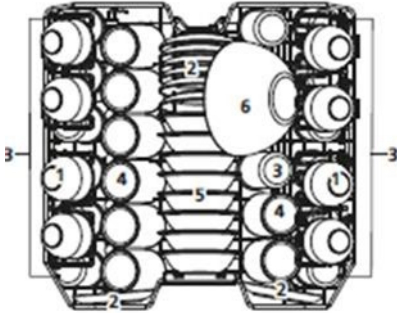
WARNHINWEIS

Eigenreparaturen oder Reparaturen, die nicht von einem Fachmann ausgeführt werden, können schwerwiegende Risiken für die Sicherheit des Gerätenutzers haben und sich auf die Gewährleistung auswirken.

EINRÄUMEN DER KÖRBE GEMÄSS DER NORM EN60436:

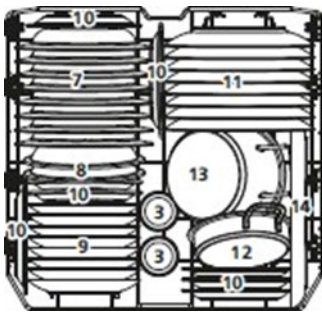
Die vollständige Beladung des Geschirrspülers spart Energie und Wasser.

1. Oberkorb:



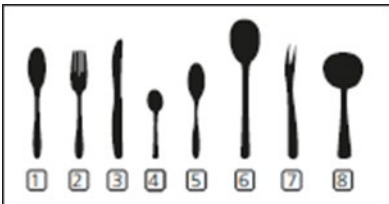
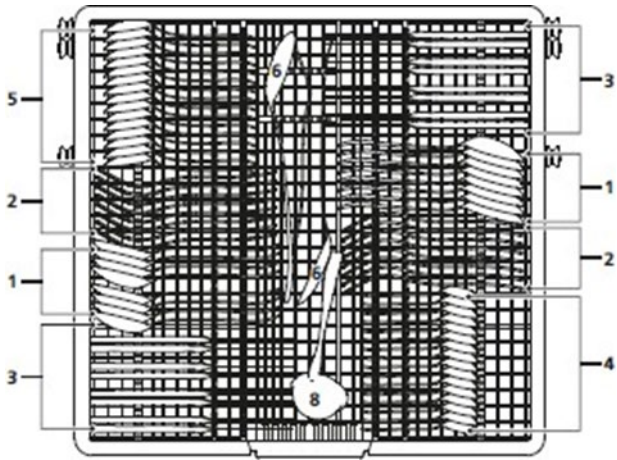
Nummer	Geschirrtyp
1	Tassen
2	Untertassen
3	Gläser
4	Große Tassen
5	Dessertschalen
6	Glasschüsseln

2. Unterkorb



Nummer	Geschirrtyp
7	Suppenteller
8	Melaminschalen
9	Dessertteller
10	Dessertteller aus Melamin
11	Flache Teller
12	Kleine Töpfe
13	Feuerfeste Form
14	Ovale Platten

3. Besteckschublade:



Nummer	Geschirrtyp
1	Suppenlöffel
2	Gabeln
3	Messer
4	Kaffeelöffel
5	Dessertlöffel
6	Servierlöffel
7	Serviergabeln
8	Kellen

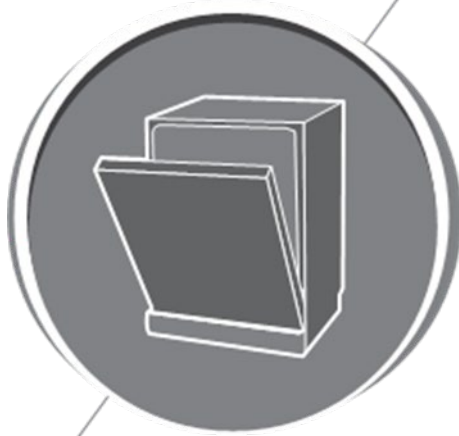
Information über Vergleichstests gemäß der Norm EN60436 Kapazität: 16 Bestecke.

Position des Oberkorbs: niedrig

Programm: ECO

Einstellung des Klarspülers: Max.

Einstellung des Wasserenthärterers: H3



Geschirrspüler

Bedienungsanleitung

TEIL II: Spezielle Hinweise

DCJ632DQX



Lesen Sie diese Bedienungsanleitung für den Gebrauch Ihres Geschirrspülers aufmerksam durch. Bewahren Sie die Bedienungsanleitung auf, um später darauf zurückgreifen zu können.

INHALTSVERZEICHNIS

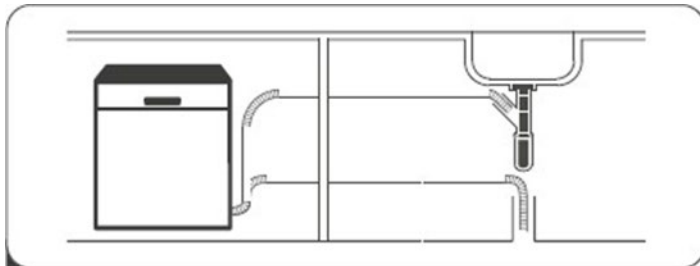
01	4	GEBRAUCH IHRES GESCHIRRSPÜLERS
	4	Bedienleiste
	6	Wasserenthärter
	9	Vorbereitung und Einräumen des Geschirrs
	12	Funktion des Klarspülers und des Reinigers
	13	Füllen der Klarspülerkammer
	14	Füllen der Reinigerkammer
02	15	WAHL DES SPÜLPROGRAMMS
	15	Programmübersicht
	16	Energieeinsparung
	16	Start eines Programms
	17	Programmwechsel während des Zyklus
	18	Vergessen eines Tellers
	18	Automatisches Öffnen
03	19	FEHLERCODES
04	20	TECHNISCHE INFORMATIONEN

ANMERKUNG:

- Wenn Sie die Störung nicht selbst beheben können, wenden Sie sich bitte an einen professionellen Techniker.
- Entsprechend seiner Unternehmensphilosophie der konstanten Entwicklung und Aktualisierung des Produkts kann der Hersteller ohne vorherige Ankündigung Änderungen des Produktes vornehmen.

LEITFADEN ZUR HANDHABUNG

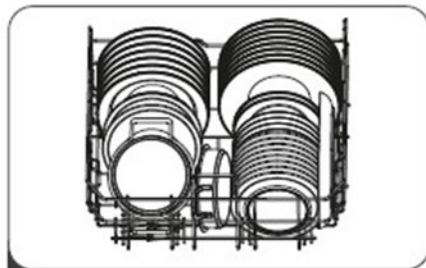
Weitere Informationen über den Betrieb des Gerätes entnehmen Sie dem jeweiligen Abschnitt der Bedienungsanleitung.



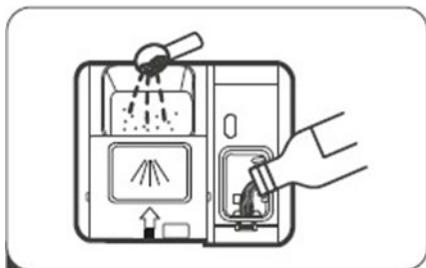
- 1** Den Geschirrspüler einbauen
(Siehe Abschnitt 5 „EINBAUHINWEISE“ des TEILS I: Allgemeine Hinweise)



- 2** Überprüfen Sie den waagerechten Stand des Geschirrspülers anhand der Achse vorne und hinten.



- 3** Räumen Sie die Geschirrkörbe ein.



- 4** Füllen Sie die Kammer mit Reiniger und mit Klarspüler.



- 5** Wählen Sie ein geeignetes Programm aus und schalten Sie den Geschirrspüler ein.

GEBRAUCH IHRES GESCHIRRSPÜLERS

Bedienleiste



1

2



6

4

7

8

9

10

3

5

Funktion (Taste)

1 Ein / Aus

Drücken Sie zum Einschalten Ihres Geschirrspülers diese Taste. Die Anzeige schaltet ein.

2 Programm

ICS+

ICS+

Dieses Programm wird durch Sensoren gesteuert und passt sich dem Verschmutzungsgrad an. Es eignet sich für alle Geschirrtypen.

H+











Hygiene 72°

Dieses Programm eignet sich für alle Geschirrtypen und für jeden Verschmutzungsgrad. Es liefert die höchste Reinigungstemperatur zur Desinfektion des Geschirrs.









☾

Leiser Lauf




Dieses Programm eignet sich für Gläser mit normalem Verschmutzungsgrad. Es ist sehr leise und kann am Abend oder in der Nacht eingeschaltet werden.

<p>2 Programm</p>	<p>ECO ECO Dieses Standardprogramm eignet sich für Geschirr mit normalem Verschmutzungsgrad. Das Programm mit der höchsten Energieeffizienz im Hinblick auf Energie- und Wasserverbrauch.</p> <p> 90 min. Für normal verschmutztes Geschirr, das schnell gereinigt und getrocknet werden muss.</p> <p> Spülen und Trocknen 55 min. Für normal verschmutztes Geschirr, das schnell gereinigt und getrocknet werden muss.</p> <p> Schnellreinigung 35 min Dieses Programm bietet den kürzesten Reinigungszyklus für leicht verschmutztes Geschirr, das kein Trocknen erfordert.</p> <p> Vorspülen Ein Spülprogramm, das ausschließlich zur Entfernung von Schmutzpartikeln auf dem Geschirr für spätere Reinigung bestimmt ist.</p> <p> Reinigung Auto Mit diesem Programm wird das leere Gerät effizient gereinigt.</p>
<p>3 Startzeitvorwahl</p>	<p>Die Taste für die Verzögerung des Programmstarts von bis zu 24 Stunden in Ein-Stunden-Schritten drücken. Nach Aktivierung des Programms schaltet die Kontrollleuchte () ein.</p>
<p>4 Alt</p>	<p>Taste drücken, um die Reinigung nur des Oberkorbs oder Unterkorbs oder die Reinigung beider Geschirrkörbe auszuwählen. Die Kontrolllampen ( ) schalten ein.</p>
<p>5 Start / Pause</p>	<p>Taste drücken, um das ausgewählte Reinigungsprogramm zu starten oder um das Programm anzuhalten.</p>
<p>6 Option</p>	<p> Turbo Geschwindigkeit+ Diese Option reduziert die Betriebszeit um 15% bis 50% je nach Temperaturerhöhung und Drehzahl des Motors. Sie kann nicht gleichzeitig mit den Programmen Auto, Schnellreinigung 35 m und Vorspülen ausgewählt werden. Bei Kombination mit der Funktion automatisches Öffnen, kann nicht zeitgleich automatisches Reinigen aktiviert werden.</p> <p> Reinigungsstrahl Diese Option kann für die Reinigung von Flaschen verwendet werden, die in den speziellen Bereich des Oberkorbs platziert wurden. Diese Option kann nicht gleichzeitig mit den Programmen Auto, Reinigung und Trocknen 55 min, Vorspülen und Reinigung Auto verwendet werden.</p>

Anzeige

<p>6 Option</p>	<p> Extra Trocknen Mit dieser Option erhöht man die Temperatur des letzten Spülgangs und verlängert die Trocknungszeit für noch höheren Trocknungseffekt. Sie kann nur gleichzeitig mit den Programmen ECO, Hygiene 72°, Leiser Lauf und 90 min verwendet werden.</p> <p> Automatisches Öffnen Die Tür des Geschirrspülers öffnet sich bei Programmende automatisch, um das Trocknungsergebnis zu verbessern. Das automatische Öffnen wird werksseitig als Standard eingestellt. Bei Deaktivierung dieser Einstellung besteht diese Auswahlmöglichkeit selbst wenn der Geschirrspüler ausgeschaltet ist. Diese Option kann nicht gleichzeitig mit den Programmen Schnellreinigung 35 min, Vorspülen und Reinigung Auto verwendet werden.</p>
<p>7 Kontrollleuchten</p>	<p> Klarspüler Leuchtet die Kontrollleuchte „❄️“, bedeutet dies, dass der Füllstand des Klarspülers im Geschirrspüler niedrig ist und dass Klarspüler nachgefüllt werden muss.</p> <p> Salz Leuchtet die Kontrollleuchte „👉“, bedeutet dies, dass der Füllstand des Salzes im Geschirrspüler niedrig ist und dass Salz nachgefüllt werden muss.</p> <p> Wasserhahn Leuchtet die Kontrollleuchte „🚰“, bedeutet dies, dass der Wasserhahn geschlossen ist.</p>
<p>Andere Anzeigen</p>	<p> Nur Spülen des Oberkorbs Bei Auswahl Oben wird nur das Geschirr des Oberkorbs gereinigt. Der Sprüharm des Unterkorbs funktioniert nicht.</p> <p> Nur Spülen des Unterkorbs Bei Auswahl Unten wird nur das Geschirr des Unterkorbs gereinigt. Der Sprüharm des Oberkorbs funktioniert nicht.</p> <p> Gleichzeitiges Spülen des Oberkorbs und Unterkorbs. Bei Auswahl beider Geschirrkörbe wird das Geschirr im Oberkorb und im Unterkorb gereinigt. Das Sprühsystem im Oberkorb und im Unterkorb funktioniert alternativ oder gleichzeitig.</p>

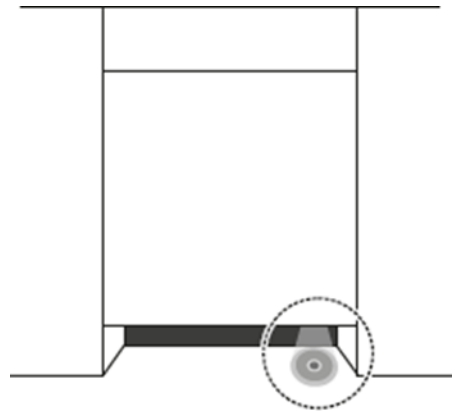
Anzeige

9 Display	 <p>Anzeige der Restlaufzeit des Programms, der Reinigungstemperatur, der Dauer der Startzeitvorwahl der Fehlercodes, usw.</p>
Verbrauchsanzeige	<p> Höhe des Wasserverbrauchs Die Wasserverbrauchsanzeige gibt die Höhe des Wasserverbrauchs eines ausgewählten Programms an. Je größer die Zahl der angezeigten Balken, desto höher der Wasserverbrauch.</p> <p> Energieverbrauch Die Energieverbrauchsanzeige gibt die Höhe des Energieverbrauchs eines ausgewählten Programms an. Je größer die Zahl der angezeigten Balken, desto höher der Energieverbrauch.</p>

ANMERKUNG:

Funktion der Leuchtanzeige

Die Leuchtanzeige schaltet sich während des Reinigungsprogramms ein, blinkt 5 Minuten lang und erlischt nach Beendigung des Programms.



Wasserenthärter

Der Wasserenthärter muss manuell anhand des Wasserhärte-Einstellschalters eingestellt werden. Der Wasserenthärter dient dazu, dem Wasser Mineralien und Salze, die das korrekte Funktionieren des Gerätes beeinträchtigen können, zu entziehen.

Je mehr Mineralien enthalten sind, umso härter ist das Wasser. Wenn der Geschirrspüler mit hartem Wasser benutzt wird, bilden sich Rückstände auf Ihrem Geschirr.

Der Enthärter muss der Wasserhärte Ihrer Region entsprechend eingestellt werden. Nehmen Sie mit ihrem örtlichen Wasserwerk Kontakt auf, um Informationen bezüglich der Wasserhärte in Ihrer Region zu erhalten.

ANMERKUNG:

Wenn Ihr Geschirrspüler nicht mit einem Wasserenthärter ausgerüstet ist, können Sie diesen Abschnitt überspringen.

Einstellung des Salzverbrauchs

Dieser Geschirrspüler ist so konzipiert, dass er es erlaubt, die verbrauchte Salzmenge entsprechend der Härte des benutzten Wassers einzustellen. Die Funktion ist dazu bestimmt, den jeweiligen Salzverbrauch zu optimieren und individuell zu gestalten.

Der Geschirrspüler muss der Wasserhärte in Ihrer Region angepasst werden. Dies wirkt sich auf den Salzverbrauch Ihres Geschirrspülers aus.

Zur Einstellung des Wasserenthärters führen Sie folgende Schritte aus:

1. Öffnen Sie die Tür und schalten Sie das Gerät ein.
2. Drücken Sie innerhalb von 60 Sekunden nach dem Einschalten des Gerätes mehr als 5 Sekunden lang die Taste automatische Reinigung. Sie können dann den Wasserenthärter einstellen.
3. Drücken Sie erneut die Taste automatische Reinigung zur Auswahl der Einstellung, die der Wasserhärte in Ihrer Region entspricht. Die Parameter werden in folgender Reihenfolge angezeigt: H1->H2->H3->H4->H5->H6 ;
4. Zum Speichern der Einstellung und zum Verlassen des Einstellmodus drücken Sie die Ein/Aus Taste.

WASSERHÄRTE				Füllstand des Wasserenthärters	Die Regeneration erfolgt alle X Programmsequenzen ¹⁾	Salzverbrauch (Gramm/Zyklus)
°dH (Deutschland)	°fH (Frankreich)	°Clarke (Großbritannien)	mmol/l			
0 - 5	0 - 9	0 - 6	0 - 0,94	H1	Keine Regeneration	0
6 - 11	10 - 20	7 - 14	1,0 - 2,0	H2	10	9
12 - 17	21 - 30	15 - 21	2,1 - 3,0	H3	5	12
18 - 22	31 - 40	22 - 28	3,1 - 4,0	H4	3	20
23 - 34	41 - 60	29 - 42	4,1 - 6,0	H5	2	30
35 - 55	61 - 98	43 - 69	6,1 - 9,8	H6	1	60

Die Werkseinstellung ist H3

- 1) Jeder Zyklus mit Regeneriervorgang verbraucht 3,0 Liter Wasser zusätzlich, der Energieverbrauch erhöht sich 0,02 kWh und die Programmdauer verlängert sich um 4 Minuten.



Siehe Abschnitt 3 „Einfüllen von Salz in den Wasserenthärter“ des TEILS I: Allgemeine Hinweise bei fehlendem Salzvorrat in Ihrem Geschirrspüler.

Vorbereitung und Einräumen des Geschirrs

- Kaufen Sie nur Geschirr und Küchenutensilien, die spülmaschinenfest sind.
- Bei Geschirr oder Küchenutensilien, die empfindlich sind, wählen Sie das Programm mit der niedrigsten Temperatureinstellung aus.
- Räumen Sie Gläser und Bestecke nicht sofort nach Programmende aus dem Geschirrspüler, um die Gefahr von Beschädigungen zu vermeiden.

Dieser Geschirrspüler ist für die Reinigung und das Trocknen von gängigen Küchenutensilien ausgelegt. Es können aber nicht alle Gegenstände im Geschirrspüler gereinigt werden.

Folgende Gegenstände eignen sich nicht für die Reinigung im Geschirrspüler und können während des Spülvorgangs beschädigt werden:

- Bestecke mit Holz-, Porzellan- oder Perlmuttergriffen.
- Nicht hitzebeständige Gegenstände aus Kunststoff.
- Antikes Besteck mit geklebten Elementen, die nicht hitzebeständig sind.
- Besteck oder Geschirr mit Klebstoff.
- Zinn- oder Kupfergeschirr.
- Kristallgläser.
- Nicht rostfreie Stahlgegenstände.
- Holzbretter.
- Gegenstände aus synthetischen Fasern.

Bitte beachten Sie folgende Punkte:

- Bestimmte Glasarten können sich nach einer bestimmten Anzahl von Reinigungen trüben.
- Silber- und Aluminiumgegenstände neigen dazu, beim Reinigen auszubleichen.
- Glasmotive können bei häufigem Reinigen im Geschirrspüler verblassen.

Empfehlungen zum Einräumen des Geschirrspülers

Entfernen Sie grobe Speisereste von Geschirr und Besteck. Weichen Sie Speisereste ein, die sich in Töpfen, Pfannen und Schmortöpfen festgesetzt haben. Es ist nicht notwendig, Schüsseln und Teller unter fließendem Wasser vorzuspülen.

Um die optimale Leistung des Geschirrspülers zu gewährleisten, befolgen Sie bitte die folgenden Anweisungen.

(Funktionen und Aussehen der Körbe können je nach Modell variieren).

- Gegenstände wie Tassen, Gläser, Töpfe, Pfannen, usw. müssen umgedreht werden.
- Teile mit Wölbungen oder Vertiefungen müssen schräg stehen, damit das Wasser ablaufen kann.
- Alle Teile müssen stabil eingeräumt werden, damit sie nicht umkippen können.
- Alle Teile müssen so hingestellt werden, damit genügend Platz bleibt und die Drehung der Sprüharme nicht behindert wird. Überprüfen Sie vor Programmstart die Drehung der Sprüharme.
- Geschirr und Bestecke dürfen nicht übereinander gestapelt werden und sich nicht überdecken.
- Bestecke dürfen nicht ineinander greifen oder sich überdecken, damit das Wasser in alle Bereiche vordringen kann.
- Der Oberkorb ist für empfindlicheres und leichteres Geschirr wie Gläser und Tassen vorgesehen.
- Messer mit langen Klingen stellen eine Gefahr dar, wenn ihre Spitze nach oben gerichtet ist.
- Lange und / oder scharfe Bestecke wie Messer zum Zerschneiden sind waagrecht in den Oberkorb zu legen.
- Den Geschirrspüler nicht überladen. So erzielen Sie ein gutes Reinigungsergebnis und optimieren Ihren Energieverbrauch.

ANMERKUNG:

Vermeiden Sie es, sehr kleine Elemente im Geschirrspüler zu reinigen, diese können leicht aus den Körben fallen.

Entnahme des Geschirrs

Um zu vermeiden, dass Wasser aus dem Oberkorb in den Unterkorb läuft, empfehlen wir es, zuerst den Unterkorb auszuräumen.

WARNHINWEIS



Das Geschirr kann sehr heiß sein! Um jegliche Schäden zu vermeiden, lassen Sie Gläser oder empfindliche Teile vor der Entnahme in den Körben des Geschirrspülers abkühlen.

Einräumen des Oberkorbs

Der Oberkorb ist für empfindlichere und leichtere Teile vorgesehen, wie z. B. Gläser, Tassen, Untertassen, Teller, kleine Schalen und flache Töpfe und Pfannen.

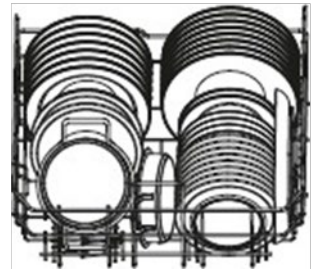
Räumen Sie Geschirr und Küchenutensilien so ein, dass sie nicht durch den Wasserstrahl verschoben werden.



Einräumen des Unterkorbs

Wir empfehlen Ihnen, größere und schwieriger zu reinigende Teile, wie Töpfe, Pfannen, Deckel, Servierplatten und Schüsseln) wie weiter unten abgebildet in den Unterkorb zu stellen.

Servierplatten und Deckel sind vorzugsweise an die Seiten zu stellen, um die Drehung der Sprüharme nicht zu behindern.



Einräumen der Besteckschublade

Die Bestecke müssen getrennt voneinander und in der richtigen Position in die Besteckschublade eingeräumt werden. Um eine effiziente Reinigung zu gewährleisten, dürfen die Bestecke nicht ineinander greifen.



Um optimale Ergebnisse bei Reinigung und Trocknung zu erzielen, beachten Sie bitte die Optionen für eine Standardbeladung im letzten Abschnitt des TEILS I: Allgemeine Hinweise

Funktion des Reinigers und des Klarspülers

Funktion des Reinigers

Die chemischen Bestandteile, aus denen Reiniger für Geschirrspüler bestehen, sind erforderlich, um den Schmutz zu entfernen, zu zersetzen und abzuleiten.. Die meisten Reiniger handelsüblicher Qualität erfüllen diesen Zweck.

⚠ WARNHINWEIS

- Benutzen Sie nur speziell für Geschirrspüler konzipierte Reiniger. Ihr Reiniger muss immer frisch und trocken sein.
- Befüllen Sie die Reinigerkammer erst kurz vor dem Einschalten des Geschirrspülers.



Die Geschirrspülreiniger sind korrosiv! Bewahren Sie den Geschirrspülreiniger außerhalb der Reichweite von Kindern auf.

Funktion des Klarspülers

Der Klarspüler wird beim letzten Spülgang eingespült, um zu vermeiden, dass sich Wassertropfen auf dem Geschirr bilden und dort Spuren hinterlassen. Er verbessert ebenfalls das Trocknen, weil er dabei hilft, das Wasser besser vom Geschirr ablaufen zu lassen. Ihr Geschirrspüler ist für die Verwendung von flüssigem Klarspüler ausgelegt.

⚠ WARNHINWEIS

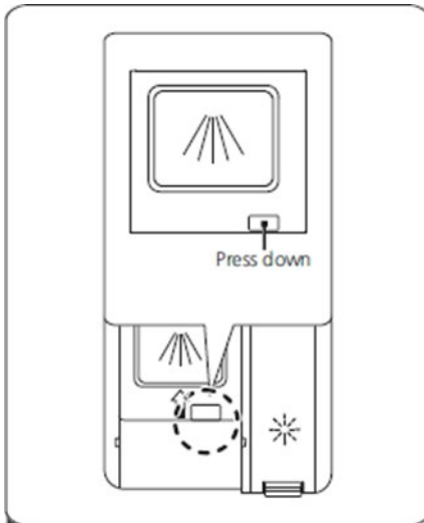
Gießen Sie niemals andere Substanzen in die Klarspülerkammer (z.B.: Geschirrspüler-Reinigungsmittel, Flüssigreiniger). Dies würde Ihr Gerät beschädigen.

Wann wird Klarspüler in die Klarspülerkammer nachgefüllt?

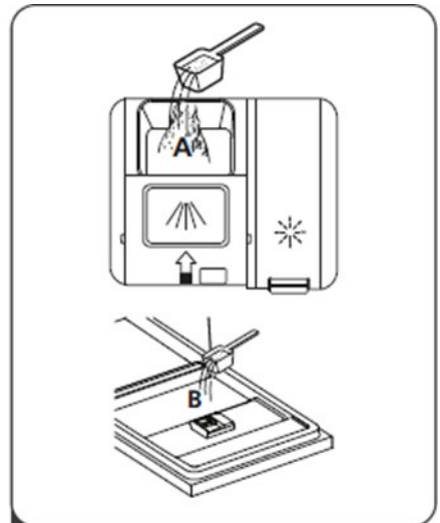
Fast alle Programme verwenden Klarspüler beim letzten Spülgang. Je nach Häufigkeit der Nutzung und Einstellung des Klarspülers kann es erforderlich sein, die Klarspülerkammer aufzufüllen.

Die Füllstandsanzeige des Klarspülers (✳) leuchtet, wenn Klarspüler nachgefüllt werden muss. Füllen Sie nicht mehr Klarspüler in die Kammer als bis zur maximal zulässigen Füllhöhe.

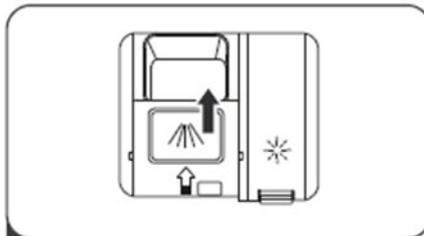
Füllen der Reinigerkammer



- 1** Öffnen Sie den Deckel durch Drücken der Verriegelung.



- 2** Füllen Sie für den Hauptreinigungsgang Reiniger in die Reinigerkammer (A). Für eine optimale Reinigungsleistung, vor allem wenn Ihr Geschirr stark verschmutzt ist, geben Sie eine kleine Menge Reiniger auf die Tür (B). Der zusätzliche Reiniger entfaltet seine Wirkung beim Vorspülen.



- 3** Schließen Sie den Deckel, indem Sie ihn nach unten schieben, bis er verriegelt ist.

ANMERKUNG:

- Bitte beachten Sie die auf der Verpackung Ihres Reinigers aufgeführten Empfehlungen des Herstellers.

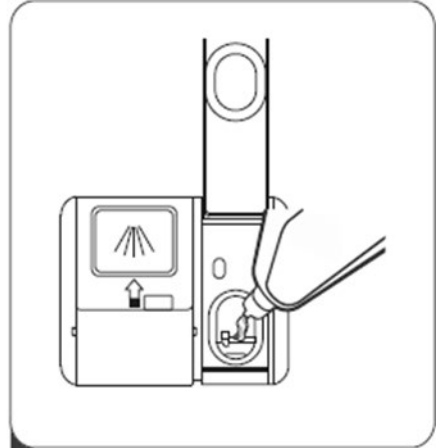
Füllen der Klarspülerkammer



- 1 Öffnen Sie den Deckel der Klarspülerkammer durch Anheben des Griffs.



- 3 Schließen Sie den Deckel korrekt nach dem Auffüllen der Kammer.



- 2 Schütten Sie den Klarspüler langsam in die Kammer, vermeiden Sie ein Überfüllen. Verschütteter Klarspüler muss immer mit einem Tuch aufgewischt werden.

Einstellung des Klarspülers

Die Menge des während der Endreinigung verteilten Klarspülers kann folgendermaßen eingestellt werden:

1. Öffnen Sie die Tür und schalten Sie das Gerät ein.
2. Drücken Sie innerhalb von 60 Sekunden nach dem Einschalten des Gerätes mehr als 5 Sekunden lang die Taste Reinigung Auto und anschließend die Taste Startzeitvorwahl. Sie gelangen nun zum Einstellmodus des Klarspülers. Die Kontrollleuchte des Klarspülers blinkt nun.
3. Zur Auswahl der von Ihnen gewünschten Einstellung drücken Sie erneut die Taste Reinigung Auto.

Die Parameter werden in folgender Reihenfolge angezeigt: D1->D2->D3->D4->D5->D1.

Je höher die Zahl, desto höher der Klarspülerverbrauch Ihres Geschirrspülers.

Die Werkseinstellung ist D3.


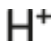




4. Nach dem Erreichen der gewünschten Einstellung warten Sie 5 Sekunden oder drücken die Ein / Aus Taste, um einen gewählten Parameter zu speichern und den Einstellmodus zu verlassen.




WAHL DES SPÜLPROGRAMMS

Programmübersicht

Die Übersicht zeigt verschiedene Informationen zu den Programmen an.

Die Angaben zu den Verbrauchswerten und zur Programmdauer sind Richtwerte, außer für das Programm ECO. (●) zeigt an, dass das Programm Klarspüler beim letzten Spülgang verwendet.

Programm	Beschreibung des Spülzyklus	Reiniger Vorspülen / Hauptspülgang	Dauer (min)	Energieverbrauch (kWh)	Wasser (L)	Klarspüler
 ICS+	Vorspülen (45°C) Spülen (55- 65°C) Klarspülen Klarspülen (50- 60°C) Trocknen	<u>5/19 g</u> (1 oder 2 Tabs)	102-175	0,930-1,470	10,3-16,9	●
 H+ Hygiene 72°	Vorspülen Spülen (72°C) Klarspülen Klarspülen Klarspülen (72°C) Trocknen	<u>5/19 g</u> (1 oder 2 Tabs)	225	1,925	16,7	●
 Leiser Lauf	Vorspülen Spülen (60°C) Klarspülen Klarspülen Klarspülen (50°C) Trocknen	<u>5/19 g</u> (1 oder 2 Tabs)	230	1,330	16,7	●
 ECO (*EN60436)	Spülen (50°C) Klarspülen Klarspülen (45°C) Trocknen	<u>24 g</u> (1 oder 2 Tabs)	205	0,769	9,5	●
 90 min	Vorspülen Spülen (0) Klarspülen Klarspülen (50) Trocknen	<u>5/19 g</u> (1 oder 2 Tabs)	90	0,940	13,6	●
 Spülen und Trocknen 55 min.	Spülen (60°C) Klarspülen Klarspülen (50°C) Trocknen	<u>24 g</u> (1 Tab)	55	0,795	11,3	●

Programm	Zyklusbeschreibung	Reiniger Vorspülen / Hauptspülgang	Dauer (min)	Energieverbrauch (kWh)	Wasser (L)	Klarspüler
 Schnellreinigung 35 min	Spülen (55°C) Klarspülen Klarspülen (45°C)	18 g (1 Tab)	35	0,690	11,3	
 Vorspülen	Vorspülen	/	14	0,120	3,9	
 Reinigung Auto	Spülen (70°C) Klarspülen Klarspülen (55°C)	24 g (1 Tab)	115	1,245	11,7	●

ANMERKUNG:

ECO: Das Programm ECO eignet sich für die Reinigung von normal verschmutztem Geschirr. Für diese Anwendung handelt es sich um das Programm mit der höchsten Effizienz im Hinblick auf Energie- und Wasserverbrauch. Es entspricht damit den Europäischen Rechtsvorschriften über Öko-Design.

Betriebsdauer automatisches Öffnen

Option \ Programm	Dauer (min)								
	ICS+	Hygiene 72°	Leiser Lauf	ECO	90Min.	Spülen und Trocknen 55 min.	Schnellreinigung 35 min	Vorspülen	Reinigung Auto
Mit automatischem Öffnen	102-175	225	230	205	90	55	/	/	/
Ohne automatisches Öffnen	121-189	239	264	220	90	55	35	14	115

ANMERKUNG: Die Option automatisches Öffnen kann nicht gleichzeitig mit den Programmen Schnellreinigung 35 min, Vorspülen und Reinigung Auto verwendet werden.

Energieeinsparung

- Das Vorspülen des Geschirrs führt zu einer Erhöhung des Wasser- und Energieverbrauchs und ist nicht empfehlenswert.
- Bei Nutzung des Geschirrspülers in einem privaten Haushalt gemäß Bedienungsanleitung wird beim Spülen des Geschirrs weniger Energie und weniger Wasser als beim Geschirrspülen von Hand verbraucht.

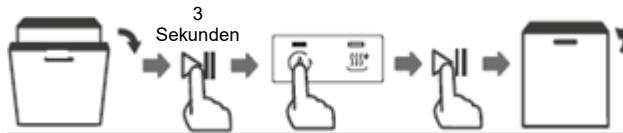
Start eines Programms

- Ziehen Sie den Oberkorb und den Unterkorb heraus, räumen Sie Ihr Geschirr ein und schieben Sie die Geschirrkörbe in das Gerät.
- Füllen Sie den Reiniger in die Reinigerkammer.
- Schalten Sie das Gerät ein.
- Stellen Sie sicher, dass die Wasserzufuhr mit dem korrekten Wasserdruck geöffnet ist.
- Öffnen Sie die Tür, drücken Sie auf die Ein- / Austaste.
- Wählen Sie ein Programm und drücken Sie die Ein-Taste. Schließen Sie die Tür wieder. Der Geschirrspüler startet das Programm.

Programmwechsel während des Zyklus

Ein Programm kann nur geändert werden, wenn es erst seit kurzer Zeit eingeschaltet ist, sonst ist der Reiniger bereits freigesetzt oder das Spülwasser mit dem gelösten Reiniger wurde bereits über den Abfluss entleert. Ist dies der Fall, müssen Sie den Geschirrspüler neu starten und die Reinigerkammer neu befüllen. Zum Neustart des Geschirrspülers gehen Sie wie folgt vor:

1. Öffnen Sie die Tür um den Zyklus zu unterbrechen. Nach dem vollständigen Stopp der Sprüharme können Sie die Tür komplett öffnen.
 2. Drücken Sie die Ein- / Aus-Taste mehr als drei Sekunden lang, um den Geschirrspüler in die Betriebsart Programmauswahl zu schalten.
 3. Sie können nun durch Auswahl des gewünschten Zyklus das Programm wechseln.
4. Drücken Sie die Ein- / Aus-Taste und schließen Sie dann die Tür, der Geschirrspüler startet erneut.



Vergessen eines Tellers

Sie können jederzeit vor Öffnen der Reinigerkammer Geschirr hinzugeben. Dazu gehen Sie wie folgt vor:

1. Öffnen Sie die Tür, um den Spülzyklus zu stoppen.
2. Nach dem vollständigen Stopp der Sprüharme können Sie die Tür komplett öffnen.
3. Stellen Sie das vergessene Geschirr in das Gerät.
4. Schließen Sie die Tür.
5. Der Geschirrspüler startet neu.



⚠️ WARNHINWEIS

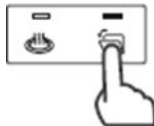


Das Öffnen der Tür während eines Zyklus ist gefährlich, der heiße entweichende Dampf kann Verbrennungen verursachen.

Automatisches Öffnen

Bei Programmende öffnet die Tür automatisch, um einen besseren Trocknungseffekt zu erzielen und den Energieverbrauch während der Trocknungsphase zu senken.

Sie können die Taste automatisches Öffnen drücken, um die Option automatisches Öffnen zu aktivieren oder zu deaktivieren.



💡 ANMERKUNG:

Bei Einstellung der Funktion automatisches Öffnen darf die Tür des Geschirrspülers nicht blockiert werden. Dies kann die Funktion der Türverriegelung beeinträchtigen.

FEHLERCODES

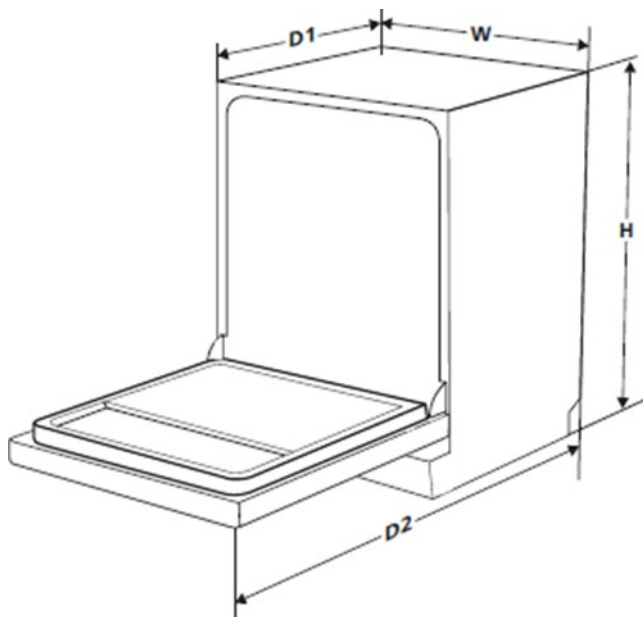
Bei Funktionsstörungen zeigt der Geschirrspüler einen Fehlercode an. Folgende Tabelle enthält die möglichen Fehlercodes und ihre Ursachen.

Code	Bedeutung	Mögliche Ursachen
E1	Zeit bis zur Wasserzufuhr zu lang	Der Wasserhahn ist geschlossen, die Wasserzufuhr ist blockiert oder der Wasserdruck ist zu niedrig
E3	Die erforderliche Temperatur wird nicht erreicht	Störung des Heizelements
E4	Überlaufen	Ein Bauteil des Geschirrspülers hat ein Leck
Ec	Fehler des Steuerungssystems des Geschirrspülers	Fehler Steuerungseinheit, Ablaufpumpe oder Motor
Ed	Kommunikationsfehler zwischen Haupt-Elektronikplatine und der elektronischen Anzeigeplatine	Offener Schaltkreis oder Kurzschluss der Kommunikation

WARNHINWEIS

- Falls Wasser überläuft, schließen Sie die Wasserzufuhr bevor Sie einen Techniker rufen.
- Befindet sich nach Überlauf oder einer kleinen Leckage Wasser auf dem Boden der Geräterwanne, entfernen Sie das Wasser vor dem Neustart des Geschirrspülers.
- Können Sie den Fehlercode nicht lösen, fordern Sie Hilfe durch einen professionellen Techniker an.

TECHNISCHE INFORMATIONEN



Höhe (H)	857 mm
Breite (B)	598 mm
Tiefe (D1)	550 mm (Tür geschlossen)
Tiefe (D2)	1226 mm (Tür 90° geöffnet)

ZUGANG ZUR DATENBANK

Zugang zu den Daten Ihres Gerätemodells, die in der Produktdatenbank gemäß EU-Verordnung (UE) 2019/2017 abgelegt sind und Informationen zum Energielabel erhalten Sie auf der Website: <https://eprel.ec.europa.eu/>
Ihre Gerätereferenz finden Sie auf der Website durch Eingabe der Servicereferenznummer, die auf dem Typenschild Ihres Gerätes angegeben ist.

Zugang zu diesen Informationen erhalten Sie auch durch Scannen des QR-Codes, der auf dem Energieaufkleber Ihres Produktes angegeben ist.

Kundendienst

- **REPARATURARBEITEN**

Eventuelle Reparaturarbeiten an dem Gerät müssen von qualifiziertem Fachpersonal des Händlers vorgenommen werden. Bitte geben Sie bei der Meldung einer Störung die vollständige Typenbezeichnung Ihres Gerätes an (Modell, Typ, Seriennummer). Diese Angaben finden Sie auf einem an Ihrem Gerät angebrachten Schild. Sie können uns von Montag bis Samstag von 8h bis 20h unter der Rufnummer 06 69 39 34 34 (Kostenloser Service + Kosten des Anrufs) kontaktieren.

- **ORIGINALERSATZTEILE**



Brandt France, Kundenservice –
De Dietrich –
5 avenue des Béthunes, BP 69526
St Ouen L'Aumône, 95060 Cergy
Pontoise Cedex

> oder rufen Sie uns an:

De Dietrich: 0892.02.88.04*

0,50 € inkl. Aller Steuern und Abgaben pro Minute aus dem Festnetz

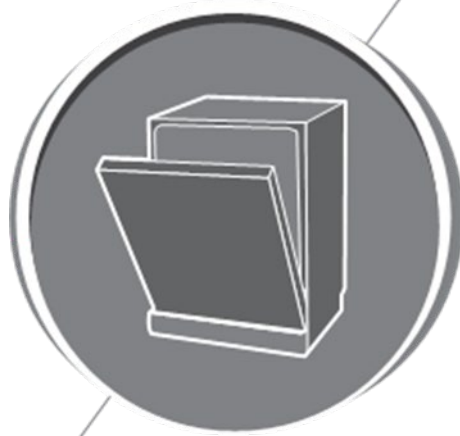
* Ein Service von Brandt Frankreich, vereinfachte Aktiengesellschaft mit einem Kapital von 1.000.000€, 89/91 boulevard Franklin Roosevelt, 92500 Rueil-Malmaison – RCS Nanterre 801 250 531

Brandt France, vereinfachte Aktiengesellschaft mit einem Kapital von 1.000.000€, mit Sitz in 89/91 boulevard Franklin Roosevelt, 92500 Rueil-Malmaison, eingetragen im Firmenregister von Nanterre unter der Nummer 801.250.531.

INFORMATION:

Laut Eintrag in die Liste der EU-Richtlinie 2019-2022-EU, müssen Ersatzteile zur vorwiegenden Nutzung durch den Gerätenutzer laut den Bestimmungen der oben genannten Richtlinie mindestens während eines Zeitraums von 10 Jahren zur Verfügung gestellt werden.

De Dietrich 



Lavavajillas

Manual de instrucciones

PARTE I: Instrucciones generales

Lea con atención este manual de instrucciones antes de utilizar el lavavajillas. Guárdelo para eventuales consultas.

ÍNDICE

01	3	INDICACIONES DE SEGURIDAD
02	8	PRESENTACIÓN DEL APARATO
03	9	USO DEL LAVAVAJILLAS
	9	Carga de sal en el ablandador
	11	Consejos para el llenado de las bandejas
	13	Gran portautensilios polivalente
04	14	MANTENIMIENTO Y LIMPIEZA
	14	Mantenimiento exterior
	14	Mantenimiento interior
	17	Mantenimiento del lavavajillas
05	18	INSTRUCCIONES DE INSTALACIÓN
	18	Acerca de la conexión eléctrica
	19	Suministro de agua y vaciado
	20	Conexión del tubo de vaciado
	21	Colocación del aparato
	21	Empotramiento (modelos integrables)
06	25	RESOLUCIÓN DE PROBLEMAS
	28	Disponibilidad de piezas de recambio
07	29	LLENADO DE LAS BANDEJAS



- En el apartado "Resolución de problemas" puede encontrar la solución a los problemas más habituales relacionados con el electrodoméstico.
- Si no logra solucionar el problema usted mismo, pida ayuda a un técnico profesional.
- Siguiendo con la política de evolución y mejora continua de los productos, el fabricante se reserva el derecho de modificar sus productos sin previo aviso.

INDICACIONES DE SEGURIDAD

ADVERTENCIA:

Al utilizar el lavavajillas, tenga en cuenta las siguientes precauciones:

- Solo un técnico cualificado puede instalar y reparar el aparato
- Este aparato está exclusivamente destinado a un uso doméstico, así como para aplicaciones similares tales como:
 - cocinas en tiendas, oficinas y otros entornos de trabajo;
 - explotaciones agrícolas;
 - hoteles, moteles, habitaciones de huéspedes
 - establecimientos que ofrecen media pensión.
- Los niños a partir de 8 años, las personas con capacidades físicas, sensoriales o mentales reducidas y las personas sin la experiencia o los conocimientos necesarios solo estarán autorizadas a utilizar el aparato bajo la responsabilidad de una persona con experiencia o que haya recibido las instrucciones necesarias para hacerlo funcionar con seguridad y que conozca los riesgos vinculados con su uso.
- Los niños no deben jugar con el aparato. La limpieza y el mantenimiento no deben ser efectuados por niños sin vigilancia. (Para EN 60335-1)

Este aparato no está destinado a ser utilizado por personas (incluidos los niños) con capacidades físicas, sensoriales o mentales reducidas, o por personas que carezcan de experiencia o conocimientos, a menos que hayan sido supervisadas o instruidas previamente sobre el uso del aparato por una persona responsable de su seguridad.

- ¡Los materiales de embalaje pueden ser peligrosos para los niños!
- Este aparato está exclusivamente reservado para un uso doméstico.
Para evitar el riesgo de descarga eléctrica, no sumerja nunca el aparato, el cable o el enchufe en agua o cualquier otro líquido.
- Desenchufe el aparato antes de cualquier operación de limpieza o reparación.
- Para evitar cualquier peligro, si el cable de alimentación está dañado, debe ser reemplazado por el fabricante, un servicio de posventa autorizado o una persona cualificada.



Normas de puesta a tierra

Este aparato debe estar conectado a tierra. En caso de mal funcionamiento o avería, la conexión a tierra del aparato reducirá el riesgo de descarga eléctrica al proporcionar una vía de baja resistencia para la corriente eléctrica. El aparato está equipado con un enchufe conductor de tierra.

- El enchufe debe conectarse a una fuente adecuada que esté instalada y conectada a tierra de acuerdo con todas las normas locales.
- Una conexión incorrecta del conductor de puesta a tierra puede suponer un riesgo de descarga eléctrica.

En caso de duda respecto a la puesta a tierra del aparato, contacte con un electricista cualificado o un representante del servicio técnico de reparación.

- No modifique el enchufe suministrado con el aparato si no se ajusta a la toma de corriente.
- Si no se adapta a su toma, mande instalar una toma adecuada a un técnico cualificado.

- Evite causar daños, sentarse o subirse a la puerta o a las bandejas del lavavajillas.
- No utilice su lavavajillas a menos que todas las paredes estén correctamente instaladas.
- Tenga cuidado al abrir la puerta del lavavajillas mientras está en funcionamiento: puede salir agua.
- Procure no colocar objetos pesados ni subirse a la puerta cuando esté abierta. El aparato podría volcar.
- Cuando cargue la vajilla sucia:
 - 1) Coloque los elementos cortantes de modo que no puedan dañar la junta de la puerta;
 - 2) Atención: los cuchillos y demás utensilios afilados se deben colocar en la cesta de los cubiertos boca abajo o en posición horizontal.
- Algunos detergentes para lavavajillas son muy alcalinos. Pueden ser extremadamente peligrosos si se ingieren. Evite cualquier contacto con la piel y los ojos y mantenga alejados del lavavajillas a los niños cuando la puerta esté abierta.
- Al final del ciclo de lavado, compruebe que no queda ningún rastro de detergente.
- Cerciórese de que todos sus utensilios de plástico incorporen la mención «lavable en lavavajillas» u otra mención equivalente antes de meterlos en el aparato.
- Para los utensilios de plástico que no incluya ninguna mención de este tipo, consulte las recomendaciones del fabricante.
- Utilice exclusivamente detergentes y abrillantadores recomendados para lavavajillas automáticos.
- Nunca utilice jabón, detergentes o productos para lavar a mano en su lavavajillas.
- Cierre siempre la puerta del aparato para evitar el riesgo de caída.

- Al instalar el aparato, tenga cuidado de no doblar o aplastar el cable de alimentación de forma excesiva o peligrosa.
- No modifique los controles.
- Es necesario conectar el aparato a la válvula principal de suministro de agua utilizando mangueras nuevas. No utilice tubos usados.
- Para ahorrar energía, en el modo de reposo, el aparato se apagará automáticamente si no se realiza ninguna operación en un plazo de 15 minutos.
- Este producto tiene una capacidad máxima de 16 cubiertos.
- La presión del agua autorizada en la entrada debe ser de 0,04-1 MPa.

Eliminación

- Elimine el aparato y su embalaje en un centro de reciclaje.

Corte el cable de alimentación y desactive el sistema de cierre de la puerta.

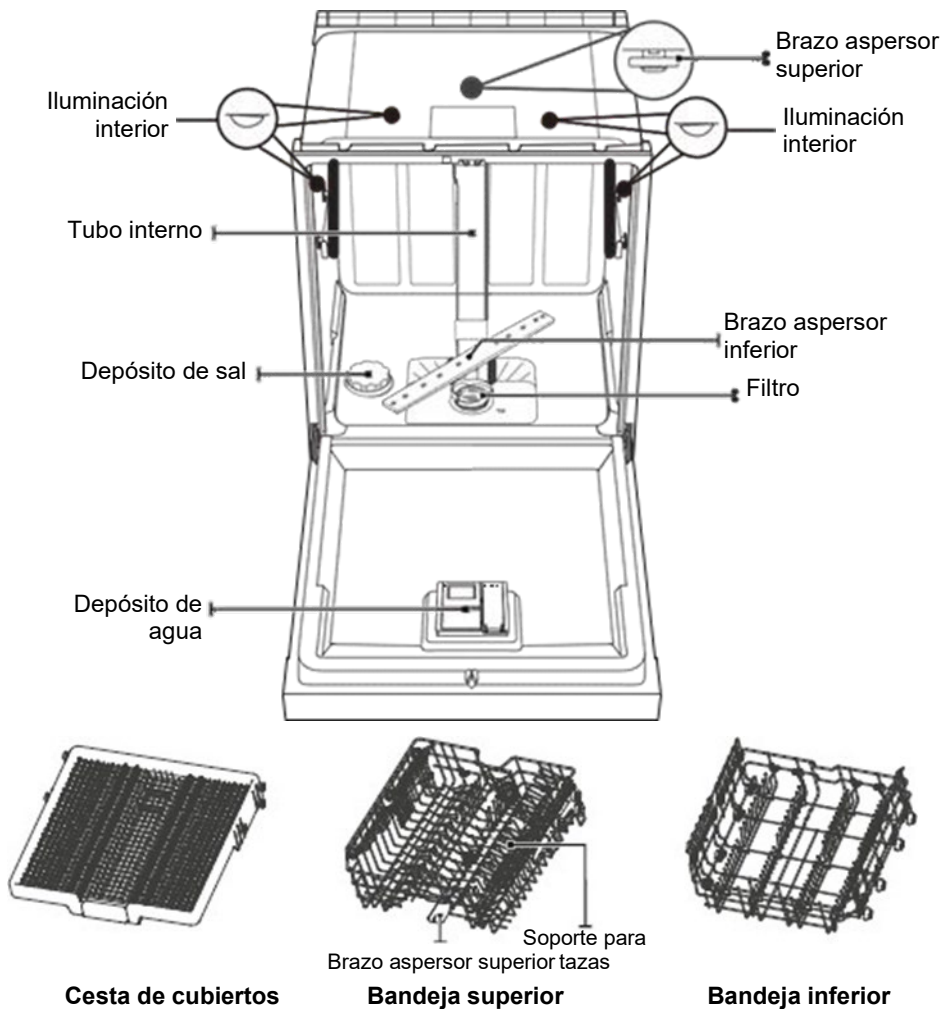


- El embalaje de cartón se fabrica con papel reciclado y debe ser depositado en los contenedores de reciclaje para del papel y cartón.
- Al deshacerse del aparato de forma adecuada, contribuye a proteger el medio ambiente y la salud humana por garantizar que los residuos se eliminan de la mejor manera posible.
- Para más información sobre el reciclaje de este producto, contacte con su ayuntamiento y con su centro de eliminación de residuos.
- **ELIMINACIÓN: no tire este aparato con los residuos municipales no clasificados. Este aparato se debe eliminar por separado para poder ser tratado de manera adecuada.**

PRESENTACIÓN DEL APARATO

❶ IMPORTANTE:

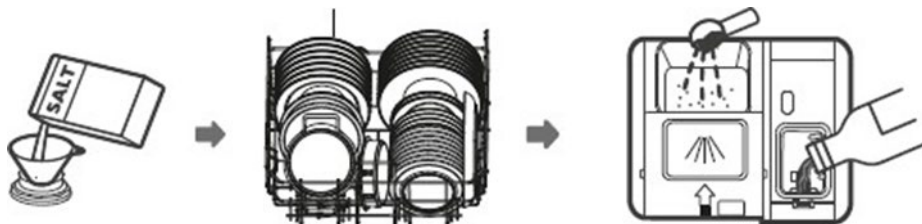
Para asegurar un rendimiento óptimo del lavavajillas, lea todas las instrucciones de uso antes de su primera puesta en marcha.



Imágenes proporcionadas a título informativo; los diferentes modelos pueden variar.

USO DEL LAVAVAJILLAS

Antes de usar el lavavajillas:



1. Ajuste el ablandador de agua
2. Añada sal en el ablandador
3. Llene las bandejas
4. Llene el depósito de detergente



Consulte la sección 1 «Ablandador de agua» de la PARTE II/Indicaciones especiales para el ajuste del ablandador de agua.

Carga de sal en el ablandador

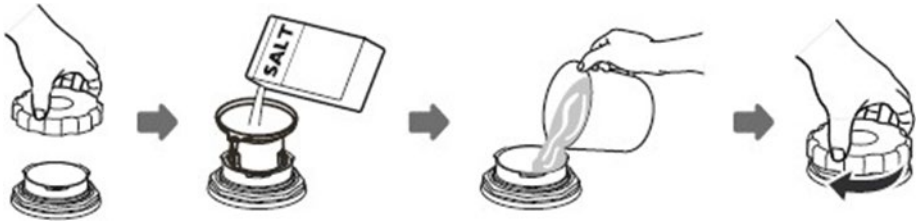
Si su modelo no está equipado con un ablandador de agua, puede saltarse este apartado. No olvide utilizar sal específica para lavavajillas.

El depósito de sal está en la bandeja inferior y se debe llenar como se indica a continuación:

⚠ ADVERTENCIA

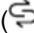
- **¡Utilice solo sal especialmente diseñada para lavavajillas!**
Cualquier otro tipo de sal no apta para lavavajillas, sobre todo la sal de mesa, puede dañar el ablandador de agua. El fabricante declina la responsabilidad ante cualquier desperfecto del lavavajillas causado por el uso de sal no apropiada, en cuyo caso el aparato no estará cubierto por la garantía.
- **Añada sal únicamente antes de un ciclo de lavado.**
Así se evita que los granos de sal o el agua salada que se haya vertido al lado permanezcan en el fondo del aparato durante un tiempo, lo que podría corroer la superficie.

Para añadir sal especial para lavavajillas, siga el procedimiento explicado a continuación:



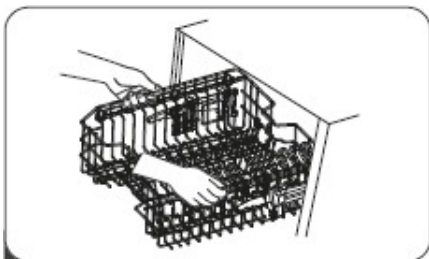
1. Retire la bandeja inferior, afloje y retire la tapa del depósito de sal.
2. Coloque el extremo del embudo (si está incluido en el suministro) en el agujero e introduzca aproximadamente 0,6 kg de sal para lavavajillas.
3. Llene el depósito de sal hasta el nivel máximo. Es normal que una pequeña cantidad de agua salga del depósito de sal.
4. Una vez llenado el depósito, cierre y apriete bien la tapa.
5. Una vez llenado el depósito de sal, el piloto de alarma de sal se apaga.

NOTA:

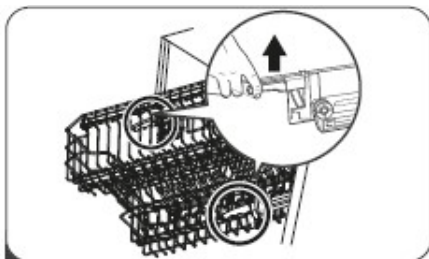
- El depósito de sal no se debe llenar hasta que no se encienda el piloto de alarma de sal () en el panel de control. Dependiendo de la velocidad de disolución de la sal, el indicador de alarma de sal puede seguir encendido incluso después de llenar el tanque.
Si el panel de control no tiene indicador de alarma de sal (en algunos modelos), puede determinar cuándo añadir sal al ablandador según el número de ciclos que ha realizado el lavavajillas.
- Si ha echado sal junto al depósito, lance un programa de remojo o un programa rápido para eliminarla.

Consejos para el llenado de las bandejas

Llenado de la bandeja superior



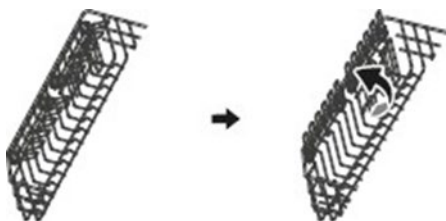
1 Para retirar la bandeja superior, solo tiene que levantarla desde el centro de cada lado hasta que se bloquee en la posición superior. No es necesario levantar las asas de ajuste.



2 Para bajar la bandeja superior, levante las asas de ajuste situadas a ambos lados para liberarla y llevarla a la posición inferior.

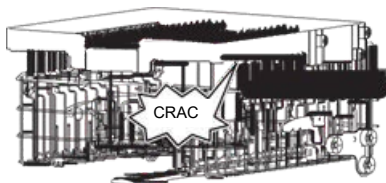
Abatir el soporte para tazas

Para dejar espacio para artículos más grandes en la bandeja superior, pliegue hacia arriba el soporte para tazas. A continuación, podrá depositar los vasos y las copas altas contra este soporte. También puede retirarlo cuando no lo necesite.



⚡ NOTA:

Cuando la bandeja superior se bloquea en la posición de arriba, el soporte para tazas no se puede abatir.

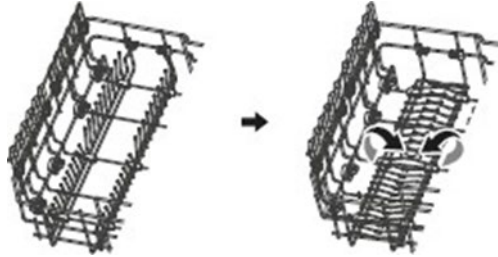


Plegar las varillas

Las varillas de la bandeja inferior permiten colocar platos y fuentes. Y se pueden plegar para disponer de más espacio para fuentes más grandes.

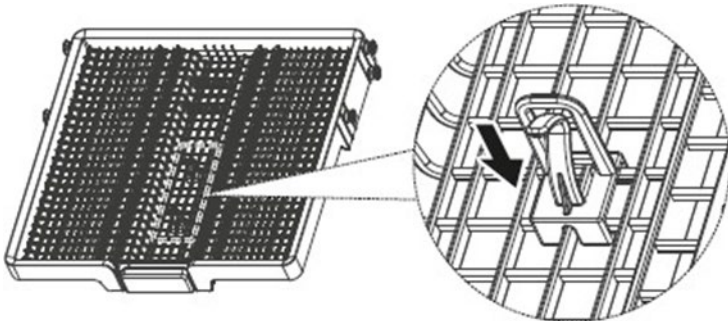
Posición normal

Posición plegada

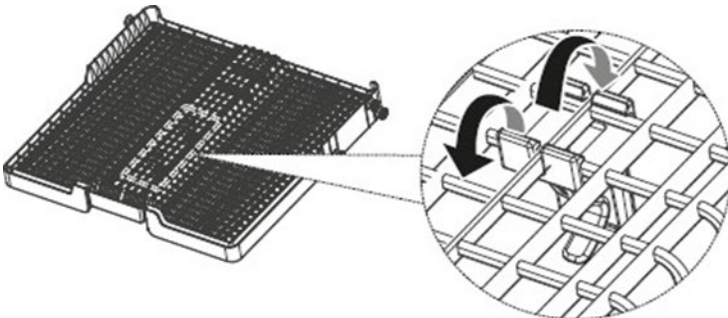


Portatetinas

El soporte se fija apretándolo en la posición correspondiente, como se indica en la figura. Se puede utilizar para albergar objetos pequeños, como una tetina.



Para retirar el soporte, introduzca la mano por debajo y suelte las lengüetas como se muestra en la figura.



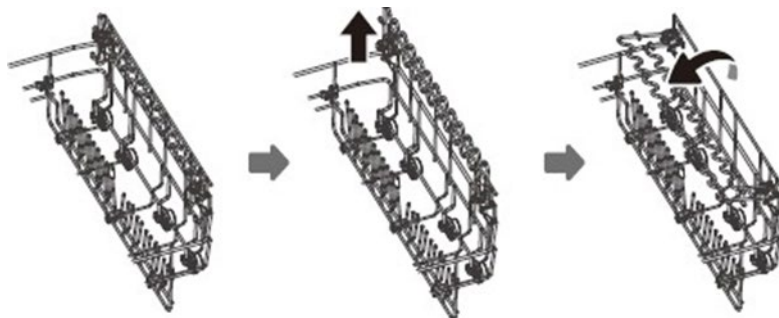
Gran portautensilios polivalente

Proporciona un lugar seguro y flexible únicamente para utensilios de cocina grandes, tales como bandejas de horno y tablas de cortar. Además, es adecuado para cargar copas de vino grandes.



Cuando desee usarlo, tire del soporte para retirarlo.

Puede plegar el soporte cuando no se necesite. No ocupa ningún espacio adicional una vez plegado.



MANTENIMIENTO Y LIMPIEZA

Mantenimiento exterior

Puerta y junta de puerta

Limpie con regularidad las juntas de la puerta con un paño húmedo y no abrasivo para eliminar los restos de comida.

Cuando llene el lavavajillas, los restos de alimentos o líquidos pueden manchar los laterales de la puerta. Estas superficies están

fuera de la zona de lavado y fuera del alcance del agua impulsada por los brazos aspersores. Limpie cualquier residuo que quede antes de cerrar la puerta.

Panel de control

Limpie el panel de control con un paño húmedo no abrasivo.

ADVERTENCIA

- Para evitar que el agua penetre en el dispositivo de cierre de la puerta y los componentes electrónicos, no utilice ningún tipo de producto limpiador en spray.
- No use limpiadores abrasivos ni esponjas para fregar las superficies exteriores, ya que se podría rayar el revestimiento. Algunas bayetas también pueden rayar o dejar marcas en la superficie.

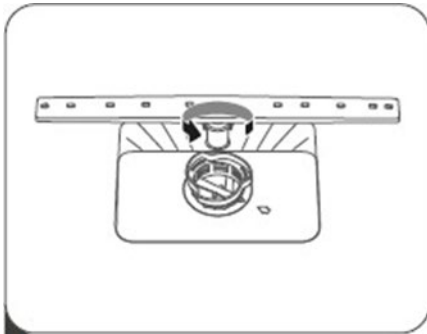
Mantenimiento interior

Sistema de filtrado

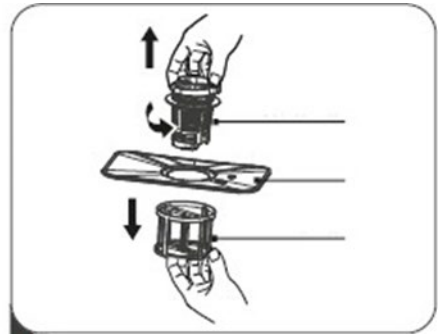
El sistema de filtración en la parte inferior del aparato atrapa los residuos grandes durante el ciclo de lavado, incluyendo cuerpos extraños como palillos y pedazos. Estos residuos pueden bloquear el filtro, por lo que conviene revisar el estado de los filtros regularmente (cada mes). Retire con cuidado los cuerpos extraños y limpie las partes del sistema de filtración con agua si es necesario. Siga el procedimiento siguiente para limpiar el filtro.

NOTA:

Imágenes proporcionadas a título informativo; los diferentes modelos de sistemas de filtrado y de brazos aspersores pueden variar.



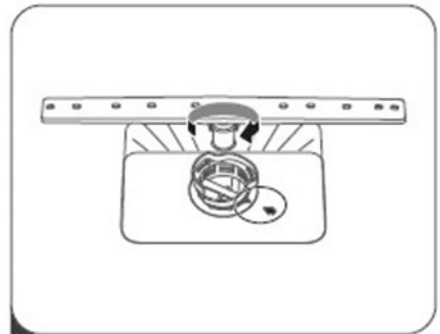
1 Sujete el filtro primario y gírelo en sentido antihorario para desbloquearlo. Levante el filtro y sáquealo del lavavajillas.



2 Puede quitar el filtro fino situado en la parte inferior del dispositivo de filtrado. Retire el filtro primario del filtro principal presionando suavemente las lengüetas de la parte superior antes de quitar el filtro.



3 Aclare el filtro con agua corriente para eliminar los principales restos de alimentos. Para una limpieza más eficaz, use un cepillo de limpieza no abrasivo.



4 Vuelva a montar los filtros siguiendo los pasos de desmontaje en orden inverso; reemplace el dispositivo de filtrado y gírelo en sentido horario hasta la flecha de cierre.

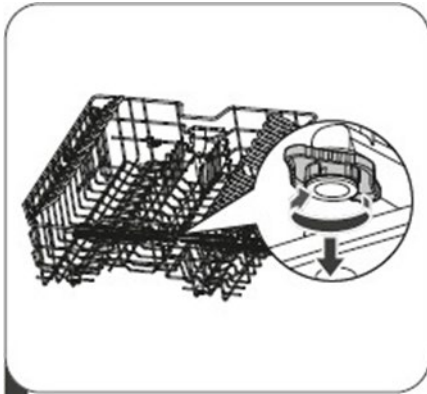
⚠ ADVERTENCIA

- No apriete demasiado los filtros. Vuelva a montar los filtros fijándolos bien para evitar que los residuos más grandes entren en el sistema y causen un bloqueo.
- No use nunca el lavavajillas sin filtros. Un filtro mal colocado puede reducir la eficacia del electrodoméstico y deteriorar la vajilla.

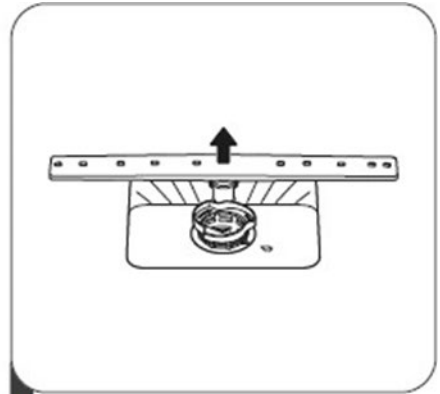
Brazo aspersor

Es preciso limpiar los brazos aspersores periódicamente para evitar que los productos químicos del agua dura obstruyan las boquillas y los cojinetes.

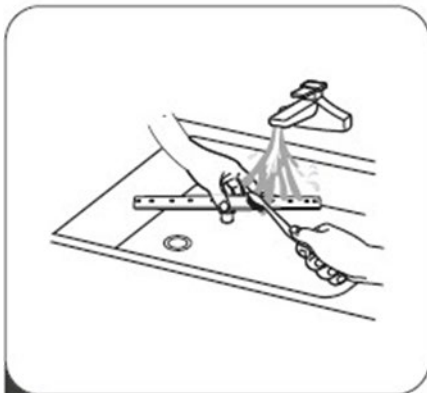
Para limpiar los brazos aspersores, siga las instrucciones explicadas a continuación:



- 1** Para retirar el brazo aspersor superior, sujete la tuerca central y gire el brazo aspersor en sentido antihorario para quitarlo.



- 2** Para sacar el brazo aspersor inferior, tire del brazo hacia arriba.



- 3** Lave los brazos con agua tibia y jabón y limpie las boquillas con un cepillo suave. Aclárelos bien y vuélvalos a poner en su sitio.

Mantenimiento del lavavajillas

Precauciones antihielo

Tome las precauciones de seguridad recomendadas para su lavavajillas en invierno. Después de cada ciclo de lavado, proceda como se indica a continuación:

1. Apague el lavavajillas desenchufándolo de la fuente de alimentación.
2. Cierre el suministro de agua y desconecte el tubo del grifo.
3. Vacíe el agua del tubo de suministro de agua y del grifo de alimentación. (Utilice un recipiente para recoger el agua)
4. Vuelva a unir el tubo de suministro de agua al grifo.
5. Retire el filtro del fondo del depósito y retire el agua que quede en el depósito.

Tras cada lavado

Después de cada lavado, cierre el suministro de agua y deje la puerta ligeramente abierta durante unos momentos para que escapen la humedad y los olores.

Desconectar la toma

Desconecte la toma antes de cualquier operación de limpieza o de mantenimiento.

Limpiar sin disolventes ni productos abrasivos

No utilice disolventes ni productos abrasivos para limpiar el exterior y las partes de goma de su lavavajillas. Utilice un trapo humedecido con agua tibia y jabonosa.

Para eliminar las marcas en las superficies internas, utilice un paño humedecido con agua y un poco de vinagre o un producto de limpieza específico para lavavajillas.

Inutilización durante un largo periodo

Se recomienda realizar un ciclo de lavado en vacío, luego desenchufar el aparato, cerrar el suministro de agua y dejar la puerta algo entreabierta. De este modo alargará la vida útil de las juntas de la puerta y evitará la generación de olores en el interior del aparato.

Mover el aparato

Si tiene que mover el aparato, intente mantenerlo en posición vertical. En caso de necesidad imperiosa, puede colocarlo sobre la parte trasera.

Juntas

Uno de los posibles motivos de los olores en el lavavajillas es la presencia de restos de comida en las juntas. Una limpieza regular de las juntas con una esponja húmeda lo evitará.

INSTRUCCIONES DE INSTALACIÓN

⚠ ADVERTENCIA



Riesgo de electrocución

Corte la electricidad antes de instalar el lavavajillas.

De lo contrario, puede provocar el riesgo de muerte o electrocución.

⚠ Atención

La conexión de los tubos y equipos eléctricos debe ser realizada por profesionales.

Acerca de la conexión eléctrica

⚠ ADVERTENCIA

Para su seguridad:

- No utilice alargadera ni adaptador con este aparato.
- En ningún caso debe cortar ni retirar las conexiones de puesta a tierra.

Alimentación eléctrica

Consulte la placa de características del aparato para conocer el voltaje necesario para conectar su lavavajillas a una fuente de alimentación adecuada. Utilice el fusible requerido 10A/13A/16A, el fusible temporizado o el disyuntor recomendados y habilite un circuito distinto para este aparato.

Compruebe que la tensión y la frecuencia de alimentación corresponden a la placa descriptiva. No conecte el enchufe a la toma eléctrica hasta haber realizado la puesta a tierra. Si la toma de corriente a la que se va a conectar el aparato no es adecuada, sustitúyala en lugar de utilizar un adaptador u otro dispositivo, para evitar posibles sobrecalentamientos y quemaduras.

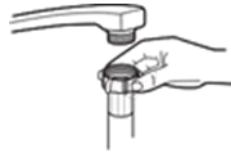
⚠ **Verifique que existe una conexión a tierra adecuada antes de utilizar el aparato**

Suministro de agua y desagüe

Conexión de agua fría

Conecte el tubo de suministro de agua fría a una toma roscada 3/4 hasta que esté bien apretado.

Si los tubos de suministro de agua son nuevos o no se han utilizado durante mucho tiempo, deje que corra agua hasta comprobar que está limpia. De este modo se evita que el suministro de agua se bloquee y deteriore el aparato.



Tubo de suministro de agua convencional



Tubo de suministro de agua seguro

Acerca del tubo de suministro de agua seguro

El tubo de suministro de agua seguro tiene doble pared. Este sistema funciona bloqueando el suministro de agua si el tubo está dañado o si la cámara de aire situada entre el tubo de suministro de agua y el tubo externo está llena de agua.

⚠ ADVERTENCIA

Un tubo conectado a un grifo puede explotar si se instala en el mismo suministro de agua que el lavavajillas. Si su fregadero tiene uno, le recomendamos que desmonte el tubo y bloquee la abertura.

Cómo conectar el tubo de suministro de agua seguro

1. Retire los tubos de suministro de agua seguro del compartimiento de almacenamiento en la parte posterior del lavavajillas.
2. Enrosque el tubo de suministro de agua seguro al grifo con una toma roscada 3/4.
3. Abra del todo la llave de agua antes de poner en marcha el lavavajillas.

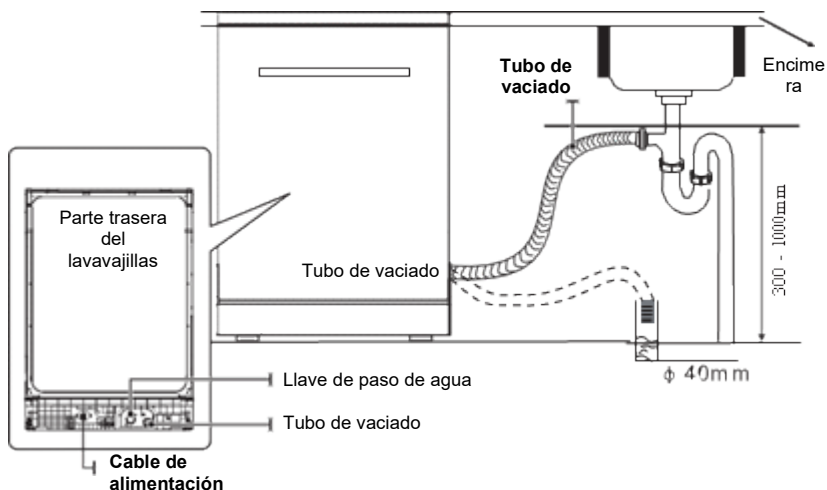
Cómo desmontar el tubo de suministro de agua seguro

1. Corte el paso de agua.
2. Desenrosque el tubo de suministro de agua seguro del grifo.

Conexión del tubo de desagüe

Introduzca el tubo de desagüe en un conducto de evacuación de al menos 4 cm de diámetro, o conéctelo al fregadero, procurando no doblarlo ni pinzarlo. La altura del tubo de desagüe debe ser inferior a 1 000 mm. Para evitar cualquier descarga, el extremo libre del tubo no debe sumergirse en el agua.

⚠ Fije el tubo de desagüe en la posición A o B para que permanezca en su lugar.



Cómo evacuar el excedente de agua en los tubos

Si la conexión al tubo de desagüe se sitúa a una altura mayor de 1000 mm, es posible que el agua se acumule en el tubo de desagüe. Habrá que evacuarla en una palangana u otro recipiente adaptado colocándolo fuera del lavavajillas y por debajo del fregadero.

Salida de agua

Conecte el tubo de desagüe. El tubo de desagüe se debe instalar correctamente para evitar cualquier fuga. Asegúrese de que el tubo de vaciado no está doblado ni aplastado.

Extensión de tubo

Si necesita una extensión de tubo para vaciar el agua del lavavajillas, emplee un tubo similar.

No debe tener más de 4 metros de longitud, ya que de lo contrario se reducirá la eficacia del lavavajillas.

Colocación del aparato

Instale el aparato en la ubicación deseada. La parte trasera del aparato debe colocarse contra la pared y los laterales también sujetos contra las paredes laterales. El lavavajillas incorpora tubos de entrada y desagüe de agua que pueden colocarse en el lado izquierdo o derecho del aparato para facilitar la instalación.

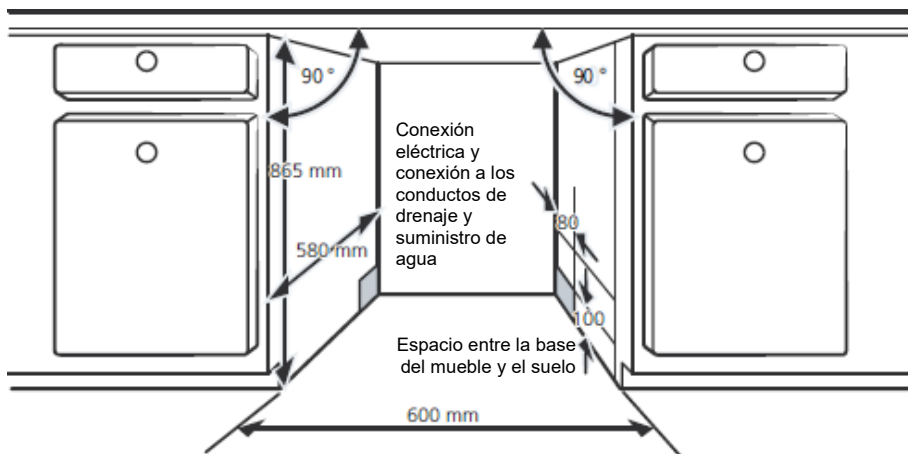
Encastre (para el modelo integrable)

Etapa 1. Selección del lugar más adecuado para el lavavajillas

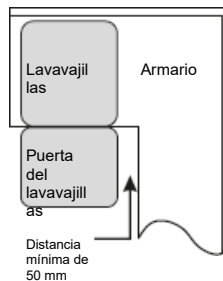
Cabe instalar el lavavajillas cerca de los conductos de suministro de agua y desagüe existentes y de una toma de corriente.

Ilustraciones de las dimensiones del lugar de instalación y de la posición de montaje del lavavajillas.

1. Menos de 5 mm entre la parte superior del lavavajillas y la encimera; pared exterior alineada con los armarios.



2. Si el lavavajillas está instalado cerca de una esquina, deje una distancia de seguridad para la apertura de la puerta.



⚡ NOTA:

Según la ubicación de la toma de corriente, es posible que deba recortar una apertura en la pared lateral del armario adyacente.

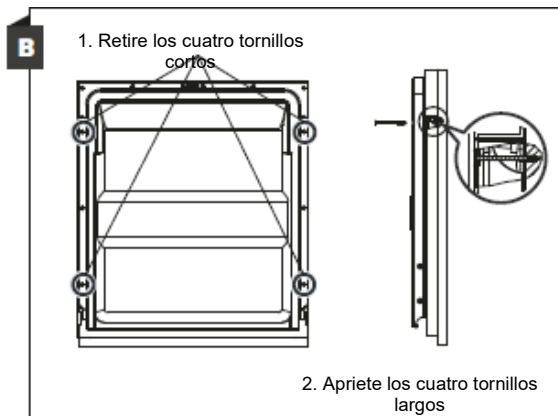
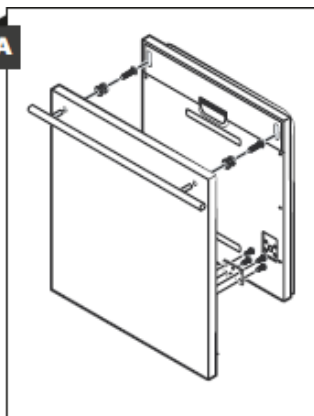
Etapa 2. Dimensiones e instalación del panel embellecedor



Siga las instrucciones de instalación específicas para fijar el panel embellecedor de la puerta.

Modelo integrable

Coloque el gancho en el panel embellecedor (aprox. 5-9 kg) e introdúzcalo en la ranura de la puerta exterior del lavavajillas (ver figura A). Después de colocar el panel, fíjelo a la puerta con tornillos y tuercas (ver figura B).

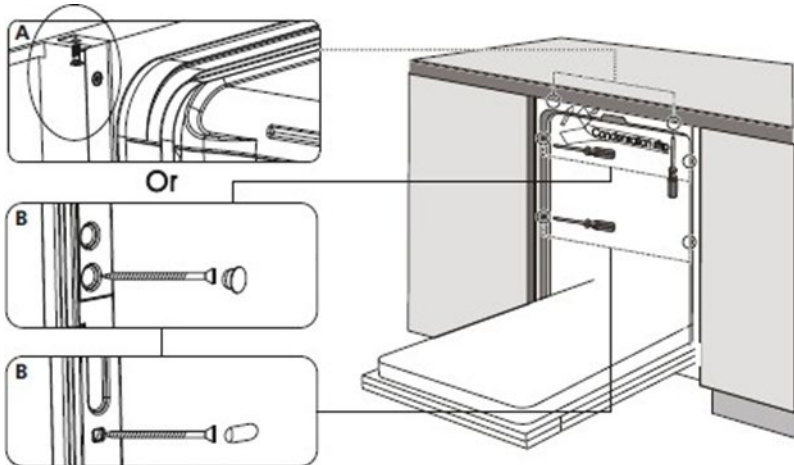


Etapas 3. Etapas de instalación del lavavajillas



Consulte los pasos específicos de instalación que se muestran en los diagramas de instalación.

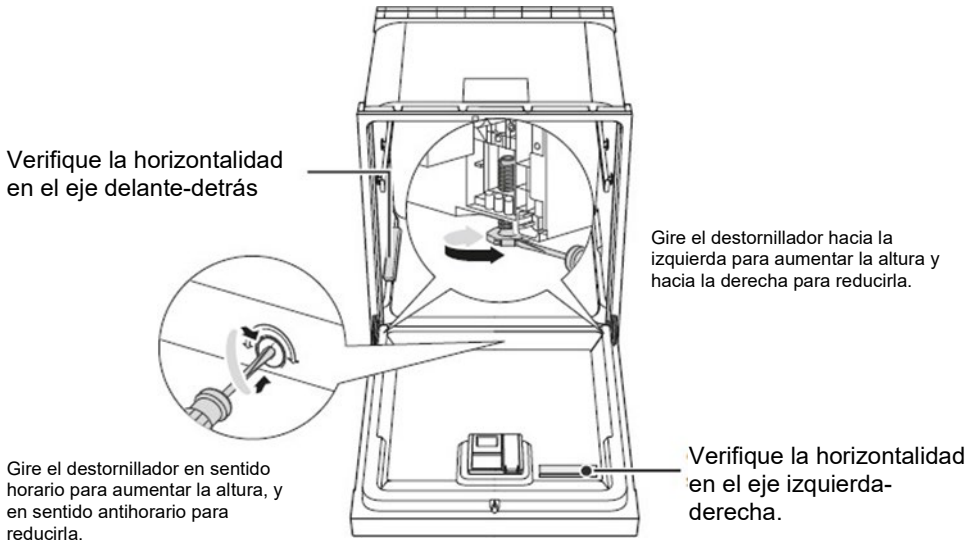
1. Instale el panel embellecedor en la puerta exterior del lavavajillas. (Pasos 2 a 5)
2. Ajuste la tensión de los muelles de la puerta con una llave Allen girando en sentido horario para tensar los muelles a la derecha y a la izquierda. De lo contrario, podría dañarse el lavavajillas. (Paso 6)
3. Fije la tira de condensación bajo la encimera. Verifique que la tira de condensación esté alineada al borde de la encimera. (Paso 8)
4. Conecte el tubo de suministro de agua al grifo de agua fría. (Paso 9)
5. Conecte el tubo de desagüe. (Paso 9)
6. Conecte el cable de alimentación. (Paso 9)
7. Introduzca el lavavajillas en su emplazamiento. (Paso 10)
8. Nivele el lavavajillas. La pata trasera se puede ajustar desde la parte delantera del lavavajillas girando el tornillo de estrella situado en el centro de la base del lavavajillas con un destornillador de estrella. Para ajustar la pata delantera, gírela con un destornillador plano hasta que el lavavajillas esté nivelado. (Paso 11)
9. El lavavajillas debe estar correctamente fijado. Dependiendo de la ubicación, puede elegir un montaje superior o lateral. El procedimiento a seguir es el siguiente: (Paso 12)
 - A. Encimera normal: Introduzca el gancho de instalación en la ranura del panel lateral y fíjelo a la encimera con tornillos.
 - B. Encimera de mármol o granito: Fije el panel lateral con tornillos.



Etapa 4. Nivelación del lavavajillas

El lavavajillas debe estar nivelado para una carga correcta y un buen rendimiento de lavado.

1. Ponga un nivelador sobre la puerta y sobre la guía de la bandeja interior de la cuba, como se muestra en la imagen, para asegurarse de que el lavavajillas está totalmente horizontal.
2. Ponga el aparato nivelado ajustando individualmente las tres patas de ajuste.
3. Al nivelarlo, asegúrese de que el lavavajillas no se vuelque.



NOTA:

La altura máxima de ajuste de las patas es de 50 mm.

RESOLUCIÓN DE PROBLEMAS

Antes de llamar al servicio técnico

Consulte las siguientes tablas antes de llamar al servicio técnico.

Problema	Causas posibles	Qué hacer
El lavavajillas no arranca	Se ha fundido un fusible o ha saltado el disyuntor	Cambie el fusible o rearme el disyuntor. Desconecte los demás aparatos que utilicen el mismo circuito que el lavavajillas.
	El aparato no está alimentado	Verifique que el lavavajillas bajo tensión y que la puerta está bien cerrada. Verifique que el cable de alimentación está bien conectado a la red eléctrica.
	La presión de agua es baja	Verifique que la entrada de agua esté bien conectada y que el grifo esté abierto.
	La puerta del lavavajillas no está bien cerrada	Asegúrese de cerrar bien la puerta y el pestillo.
El lavavajillas no bombea agua	El tubo de vaciado está doblado o aplastado	Verifique el estado del tubo de desagüe
	El filtro está obstruido.	Verifique el sistema de filtración.
	El fregadero está obstruido.	Verifique el estado del fregadero para asegurarse de que no está obstruido. Si el agua de su fregadero no se evacua correctamente, es probable que deba llamar a un fontanero en lugar de a un técnico de lavavajillas.
Espuma en la cuba	El detergente no es adecuado.	Utilice solo detergente de lavavajillas para evitar la formación de espuma. En tal caso, abra el lavavajillas y deje que se evapore la espuma. Añada 1 litro de agua fría en el fondo del lavavajillas. Cierre la puerta del lavavajillas y seleccione cualquier ciclo. El lavavajillas evacua primero el agua. Abra la puerta cuando termine el vaciado y compruebe que haya desaparecido la espuma. Repita la operación en caso necesario.

Problema	Causas posibles	Qué hacer
	Se ha derramado abrillantador.	Limpie siempre inmediatamente cualquier abrillantador derramado.
Interior de la cuba manchado	Se ha utilizado un detergente con colorante.	Verifique que el detergente utilizado no contenga colorantes.
Película blanca en las superficies internas	Se trata de minerales presentes en el agua dura.	Para limpiar el interior, utilice un paño suave y humedecido con detergente para lavavajillas y póngase antes guantes de goma. Nunca utilice productos distintos de los destinados al lavavajillas para evitar el riesgo de formación de espuma.
Manchas de óxido en los cubiertos	Los cubiertos manchados no son resistentes a la corrosión.	Evite colocar en el lavavajillas cubiertos que no resistan la corrosión.
	No se ha lanzado ningún programa después de añadir sal de lavavajillas. Las manchas de sal aparecen durante el ciclo de lavado.	Lance siempre un programa de lavado en vacío después de añadir sal. No seleccione la función Turbo (si está disponible) después de añadir sal.
	La tapa del ablandador no está bien cerrada	Compruebe que la tapa del ablandador está bien cerrada.
Ruido de golpes en el interior del lavavajillas	Uno de los brazos aspersores está golpeando algún utensilio en la bandeja de abajo.	Ponga en pausa el programa y reorganice los utensilios que bloquean el brazo aspersor.
Ruidos en el lavavajillas	Se han caído cubiertos dentro del lavavajillas.	Pare el programa y coloque bien los cubiertos.
Ruido de choques en los conductos de agua	Esto puede deberse a la instalación in situ o a secciones de los conductos.	No influye en absoluto en el rendimiento del lavavajillas. Si tiene dudas, recurra a un fontanero cualificado.
La vajilla no está limpia	La vajilla no se ha colocado correctamente en el lavavajillas.	Consulte la PARTE II «Preparación y carga de la vajilla».
	El programa seleccionado no es lo bastante potente.	Seleccione un programa más intensivo.

Problema	Causas posibles	Qué hacer
La vajilla no está limpia.	La cantidad de detergente es insuficiente.	Añada detergente o cambie de detergente.
	Hay utensilios que bloquean el recorrido de los brazos aspersores	Reacomode sus utensilios para que los brazos aspersores puedan girar sin impedimentos.
	El dispositivo de filtrado no está limpio o no está conectado correctamente a la base del lavavajillas. Esto puede provocar el bloqueo de las boquillas del brazo aspersor.	Limpie o coloque correctamente el dispositivo de filtrado. Limpie el brazo aspersor.
Vasos empañados.	Combinación de agua blanda con demasiado detergente.	Utilice menos detergente si el agua es blanda y seleccione un ciclo más corto para lavar la cristalería y obtener una limpieza impecable.
Manchas blancas en utensilios y vasos.	El agua dura puede causar depósitos de cal.	Compruebe los ajustes del ablandador o el estado de llenado del depósito de sal.
Marcas negras o grises en la vajilla	Los utensilios de aluminio se han frotado contra la vajilla	Limpie la vajilla con un producto abrasivo suave para eliminar los restos.
Restos de detergente en el depósito	Hay utensilios que bloquean el depósito de detergente	Coloque bien la vajilla en el lavavajillas.
La vajilla no está seca	Mala colocación de los utensilios	Utilice guantes si encuentra restos de detergente en la vajilla para evitar que la piel se irrite.
	La vajilla se ha sacado demasiado pronto	No vacíe el lavavajillas inmediatamente después del ciclo de lavado. Abra un poco la puerta para que el vapor pueda salir. Espere a que la temperatura interior del lavavajillas baje lo suficiente como para descargar la vajilla. Vacíe primero la bandeja inferior para evitar que el agua de la bandeja superior caiga sobre ella.

Problema	Causas posibles	Qué hacer
La vajilla no está seca	El programa seleccionado no era adecuado.	Con un programa corto, la temperatura de lavado es menos fuerte, lo que reduce la eficacia de lavado. Seleccione un programa largo.
	Los cubiertos tienen un revestimiento de mala calidad.	La evacuación del agua es más difícil en superficies de mala calidad. Los cubiertos o fuentes de este tipo no deben lavarse en lavavajillas.



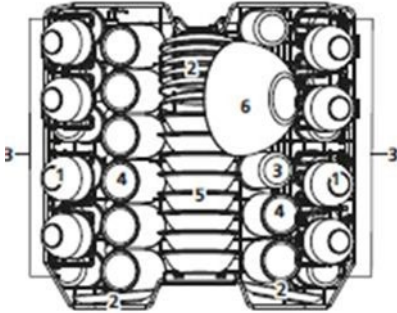
ADVERTENCIA

Una reparación casera o no efectuada por un profesional puede entrañar graves riesgos de seguridad para el usuario del aparato y afectar a la garantía.

LLENADO DE LAS BANDEJAS CONFORME A LA NORMA EN60436:

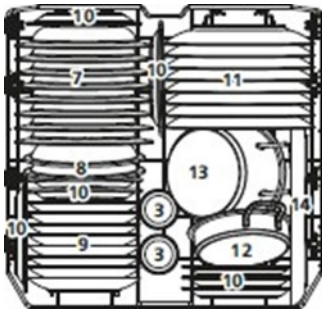
Cargar el lavavajillas a plena capacidad ayuda a ahorrar energía y agua.

1. Bandeja superior:



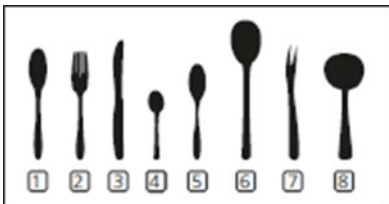
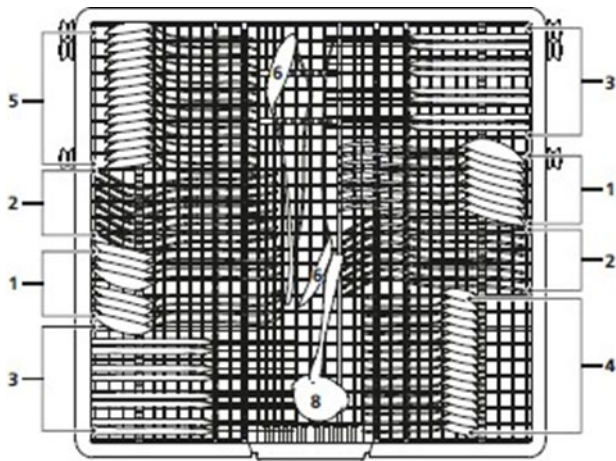
Número	Tipo de vajilla
1	Tazas
2	Platillos
3	Vasos
4	Tazas grandes
5	Boles de postre
6	Cuencos de vidrio

2. Bandeja inferior:



Número	Tipo de vajilla
7	Platos hondos
8	Boles de melamina
9	Platos de postre
10	Platos de postre de melamina
11	Platos llanos
12	Cazuelas pequeñas
13	Bandeja de horno
14	Fuentes ovaladas

3. Bandeja de cubiertos:



Número	Tipo de vajilla
1	Cucharas de sopa
2	Tenedores
3	Cuchillos
4	Cucharillas de café
5	Cucharas de postre
6	Cucharas para servir
7	Tenedores para servir
8	Cucharones

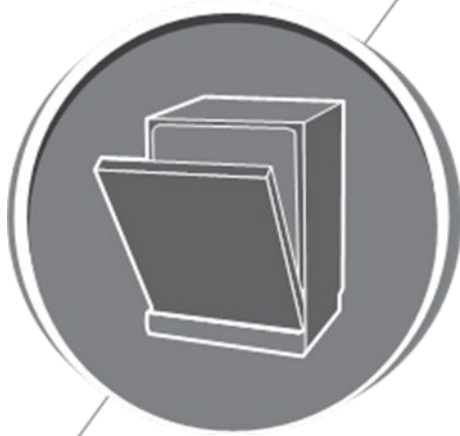
Datos sobre la prueba de comparación según la norma EN60436 Capacidad: 16 cubiertos

Posición de la bandeja superior: baja

Programa: ECO

Ajuste del abrillantador: Ajuste máximo

del ablandador: H3



Lavavajillas

Manual de instrucciones

PARTE II: Indicaciones especiales

DCJ632DQX



Lea con atención este manual de instrucciones antes de utilizar el lavavajillas. Guárdelo para eventuales consultas.

ÍNDICE

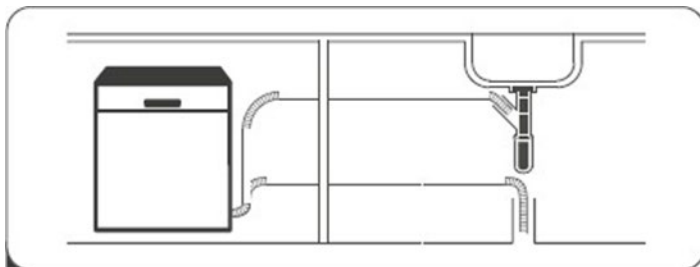
01	4	USO DEL LAVAVAJILLAS
	4	Panel de control
	8	Ablandador de agua
	9	Preparación y carga de la vajilla
	12	Función del abrillantador y del detergente
	13	Llenado del depósito de abrillantador
	14	Llenado del depósito de detergente
02	15	SELECCIÓN DEL PROGRAMA
	15	Tabla de programas
	16	Ahorro energético
	16	Lanzamiento de un programa
	17	Cómo cambiar de programa durante un ciclo
	18	Olvido de un plato
	18	Apertura automática
03	19	CÓDIGOS DE ERROR
04	20	CARACTERÍSTICAS TÉCNICAS

NOTA:

- Si no logra solucionar el problema usted mismo, pida ayuda a un técnico profesional.
- Siguiendo con la política de evolución y mejora continua de los productos, el fabricante se reserva el derecho de modificar sus productos sin previo aviso.

PRIMEROS PASOS

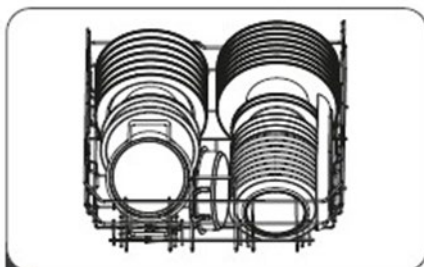
Para más información sobre el funcionamiento del aparato, lea la sección correspondiente del manual de instrucciones.



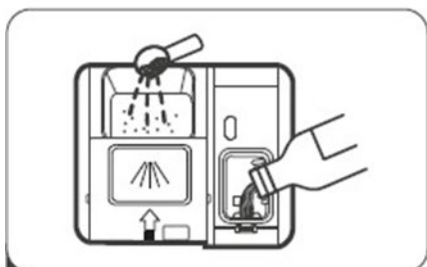
- 1 Instale el lavavajillas.
(consulte la sección 5 «Normas de instalación» de la PARTE II: Instrucciones generales)



- 2 Verifique la horizontalidad en el eje delante-detrás



- 3 Llene las bandejas.



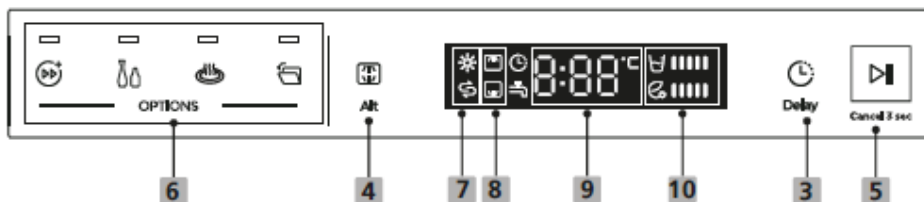
- 4 Llene los depósitos de detergente y abrillantador.



- 5 Seleccione un programa adecuado y ponga en marcha el lavavajillas.


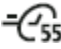



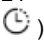




USO DEL LAVAVAJILLAS

Panel de mandos











Función (botón)

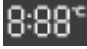


1 Inicio/Parada	Pulse este botón para encender el lavavajillas. La pantalla se ilumina.
2 Programa	ICS+ ICS+ Este programa está controlado por sensores y se adapta al grado de suciedad. Es adecuado para todo tipo de vajilla.
	H+ Higiene 72° Este programa es adecuado para todo tipo de vajilla y todos los grados de suciedad. Proporciona la más alta temperatura de lavado para desinfectar la vajilla.
	+ Silencio Este programa es adecuado para vasos y platos con un grado de suciedad normal. Funciona de forma más silenciosa y puede utilizarse por la tarde o por la noche.

2 Programa	<p>ECO ECO Este programa estándar conviene a la vajilla con un nivel de suciedad normal. Es el programa más eficiente en términos de consumo de energía y agua.</p> <p> 90 min Para vajillas con un grado de suciedad normal que precisan un lavado y secado rápidos.</p> <p> Lavado y secado 55 min Para vajillas con un grado de suciedad normal que precisan un lavado y secado rápidos.</p> <p> Lavado rápido 35 min Este programa ofrece el menor tiempo de lavado para la vajilla poco sucia que no requiere secado.</p> <p> Prelavado Se trata de un programa de aclarado diseñado únicamente para separar las partículas de suciedad de la vajilla para su posterior lavado.</p> <p> Limpieza auto Este programa permite limpiar eficazmente el aparato sin carga.</p>
3 Inicio diferido	<p>Pulse el botón para retrasar la hora de inicio de un programa hasta 24 horas en incrementos de una hora. Cuando se activa, el indicador () se ilumina.</p>
4 Alt	<p>Pulse el botón para seleccionar un lavado solo de la bandeja superior, de la bandeja inferior o de ambas. Los indicadores ( ) se iluminan.</p>
5 Inicio/Pausa	<p>Pulse este botón para iniciar el programa de lavado seleccionado o para pausar el programa.</p>
6 Opción	<p> Velocidad turbo+ Con esta opción, el tiempo de funcionamiento se reducirá entre un 15% y un 50%, dependiendo del aumento de la temperatura y de la velocidad del motor. Esta opción no se puede seleccionar al mismo tiempo que los programas Auto, Lavado rápido 35 min y Prelavado. Si se combina con la apertura automática, tampoco se puede activar el lavado automático.</p> <p> Chorro de lavado Esta opción sirve para limpiar botellas colocadas en la zona reservada de la bandeja superior. Esta opción no se puede seleccionar al mismo tiempo que los programas Auto, Lavado y secado 55 min, Prelavado y Limpieza auto.</p>

Pantalla

6 Opción	<p> Secado extra Esta opción permite incrementar la temperatura del último aclarado y prolongar el tiempo de secado para mejorar el efecto. Esta opción no se puede seleccionar al mismo tiempo que los programas ECO, Higiene 72°, Silencio y 90 min.</p> <p> Apertura automática La puerta del lavavajillas se abre de forma automática cuando finaliza el programa para mejorar el resultado de secado. La configuración de fábrica por defecto incluye la apertura automática. Si el ajuste está desactivado, esta selección sigue siendo válida incluso cuando el lavavajillas está apagado. Esta opción no se puede seleccionar al mismo tiempo que los programas Lavado rápido 35 min, Prelavado y Limpieza auto.</p>
7 Indicadores de alarma:	<p> Abrillantador Si el indicador « ❄ » está encendido, significa que el nivel de abrillantador en el lavavajillas es bajo y que hay que añadir.</p> <p> Sal Si el indicador « 🧂 » está encendido, significa que el nivel de sal en el lavavajillas es bajo y que hay que añadir.</p> <p> Grifo Si el indicador « 🚰 » está encendido, significa que el grifo de agua está cerrado.</p>
Otros indicadores luminosos	<p> Lavado exclusivo con bandeja superior Si selecciona Superior, solo se lavará la vajilla de la bandeja superior. El sistema de aspersión de la bandeja inferior no funciona.</p> <p> Lavado exclusivo con bandeja inferior Si selecciona Inferior, solo se lavará la vajilla de la bandeja inferior. El sistema de aspersión de la bandeja superior no funciona.</p> <p> Lavado simultáneo con bandeja superior e inferior Si selecciona ambas, se lavará la vajilla colocada tanto en la bandeja superior como en la inferior. El sistema de aspersión de la bandeja superior o de la bandeja inferior funcionará alternativamente o a la vez.</p>

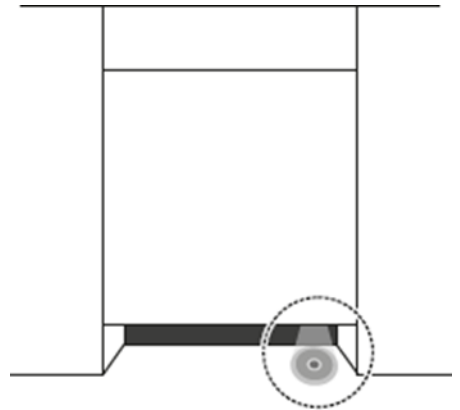
Pantalla

9 Pantalla	 <p>Visualización del tiempo restante del programa, de la temperatura de lavado, del tiempo de inicio retardado, de los códigos de error, etc.</p>
Indicador de consumo	 <p>Nivel de consumo de agua El indicador de consumo de agua muestra el nivel de consumo de agua de un programa seleccionado. Cuanto mayor sea el número de barras mostradas, más alto será el consumo de agua.</p>
	 <p>Consumo de energía El indicador de consumo de energía muestra el nivel de consumo de energía de un programa seleccionado. Cuanto mayor sea el número de barras mostradas, más elevado será el consumo de energía.</p>

NOTA:

Funcionamiento del piloto

El piloto se enciende durante el programa de lavado, luego parpadea durante 5 minutos y se apaga al final del programa.



Ablandador de agua

El ablandador se debe ajustar manualmente con la rueda de selección de la dureza del agua.

El ablandador está diseñado para eliminar del agua los minerales y la sal susceptibles de dañar el funcionamiento del aparato.

Cuanto más minerales, más dura es el agua. Si el lavavajillas se utiliza con agua dura, se formarán depósitos en la vajilla.

El ablandador debe ajustarse en función de la dureza del agua en su región. Contacte con su empresa local de aguas para obtener información sobre la dureza del agua en su zona.

NOTA:

Si su lavavajillas no está equipado con un ablandador de agua, puede saltarse esta sección.

Ajuste del consumo de sal

Este lavavajillas está diseñado para poder ajustar la cantidad de sal utilizada en función de la dureza del agua disponible. Esta función permite optimizar y personalizar el consumo de sal del lavavajillas.

Cabe adaptar el lavavajillas a la dureza del agua de su zona. Esto afectará al consumo de sal para lavavajillas.

Para ajustar la configuración del ablandador de agua, siga estos pasos:

1. Abra la puerta y encienda el aparato.
2. En los 60 segundos posteriores al encendido del aparato, mantenga pulsado el botón de limpieza automática más de 5 segundos para acceder al modo de ajuste del ablandador.
3. Pulse de nuevo el botón de limpieza automática para seleccionar el ajuste correspondiente a la dureza del agua de su zona. Los parámetros desfilan en el siguiente orden: H1->H2->H3->H4->H5->H6;
4. Pulse el botón Inicio/Parada para guardar el ajuste y salir del modo de ajuste.

DUREZA DEL AGUA				Nivel del ablandador de agua	La regeneración se produce cada X secuencias de programa ¹⁾	Consumo de sal (gramo/ciclo)
°dH (Alemania)	°fH (Francia)	°Clarke (Reino Unido)	mmol/l			
0 - 5	0 - 9	0 - 6	0 - 0,94	H1	No hay regeneración	0
6 - 11	10 - 20	7 - 14	1,0 - 2,0	H2	10	9
12 - 17	21 - 30	15 - 21	2,1 - 3,0	H3	5	12
18 - 22	31 - 40	22 - 28	3,1 - 4,0	H4	3	20
23 - 34	41 - 60	29 - 42	4,1 - 6,0	H5	2	30
35 - 55	61 - 98	43 - 69	6,1 - 9,8	H6	1	60

El ajuste de fábrica es H3.

- 1) Cada ciclo con una operación de regeneración consume 3,0 litros de agua adicionales, el consumo de energía aumenta en 0,02 kWh y el programa se prolonga 4 minutos.



**Consulte la sección 3 «Carga de sal en el ablandador» de la PARTE I :
Instrucciones generales si a su lavavajillas le falta sal.**

Preparación y carga de la vajilla

- Le aconsejamos comprar platos y utensilios aptos para el lavavajillas.
- Para los objetos frágiles, seleccione un programa que funcione a la temperatura más baja posible.
- No saque los vasos y los cubiertos del lavavajillas inmediatamente después de que el programa haya terminado para evitar que se dañen.

Este lavavajillas está diseñado para lavar y secar vajilla y utensilios de cocina de uso habitual. Sin embargo, no todos los objetos pueden lavarse en el lavavajillas.

Los siguientes objetos no son adecuados y pueden dañarse durante el lavado:

- Cubiertos de madera, porcelana o nácar.
- Objetos de plástico no resistentes al calor.
- Cubiertos antiguos con elementos pegados que no resisten el calor.
- Cubiertos o platos con pegamento.
- Objetos de estaño o de cobre.
- Vasos o copas de cristal.
- Objetos de acero que se puedan oxidar.
- Fuentes de madera.
- Objetos elaborados con fibras sintéticas.

Tenga en cuenta estas consideraciones:

Algunos tipos de cristal pueden volverse opacos tras un cierto número de lavados

Las piezas de plata y de aluminio tienden a decolorarse con el lavado

- Los motivos barnizados pueden borrarse si se lavan con frecuencia en el lavavajillas.

Recomendaciones de carga del lavavajillas

Retire los restos de alimentos que queden en la vajilla y los cubiertos. Reblandezca los restos de comida quemada en ollas, sartenes y cacerolas. No es necesario enjuagar previamente los platos y las bandejas.

Para garantizar un rendimiento óptimo del lavavajillas, respete las siguientes indicaciones.

(La funcionalidad y el aspecto de las bandejas y de la cesta de cubiertos pueden variar según el modelo).

- Los objetos como tazas, vasos, ollas, sartenes, etc. deben ponerse boca abajo.
 - Los objetos curvos o con refuerzo deben inclinarse para que el agua pueda salir.
 - Todos los objetos deben colocarse de forma segura para que no vuelquen.
 - Es necesario colocar todos los objetos de forma que haya espacio suficiente para que los brazos aspersiones giren con libertad. Compruebe la rotación de los brazos aspersiones antes de iniciar un programa.
 - Los platos y los cubiertos no se deben apilar unos dentro de otros ni superponer.
 - Evite que los cubiertos se monten o superpongan para que el agua pueda llegar a todas las zonas.
- La bandeja superior es para los platos más delicados y ligeros, por ejemplo, vasos y tazas. Los cuchillos afilados o de hoja larga son un peligro si sus puntas apuntan hacia arriba. Los cubiertos largos y afilados, como los cuchillos para trincar, deben colocarse en posición horizontal en la bandeja superior.
- No sobrecargue el lavavajillas. Así conseguirá buenos resultados y además optimizará su consumo de energía.

NOTA:

Evite lavar objetos muy pequeños en el lavavajillas, ya que se pueden caer de las bandejas fácilmente.

Descarga del lavavajillas

Para que el agua de la bandeja superior no caiga sobre la inferior, conviene vaciar primero la bandeja inferior.

ADVERTENCIA



¡La vajilla puede estar muy caliente! Para evitar daños, deje enfriar los vasos o los objetos delicados en las bandejas del lavavajillas antes de sacarlos.

Llenado de la bandeja superior

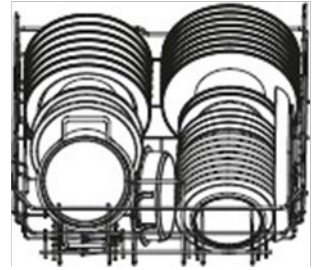
La bandeja superior es para objetos más delicados y ligeros como vasos, tazas, platillos, cuencos pequeños y ollas y sartenes poco profundas.

Posicione los platos y utensilios de cocina de modo que no sean desplazados por el chorro de agua.



Llenado de la bandeja inferior

Le recomendamos que coloque los objetos más grandes y difíciles de limpiar en la bandeja inferior: ollas, sartenes, tapaderas, platos para servir y cuencos, como se muestra a continuación. Es preferible colocar los platos y las tapaderas en el lateral de la bandeja para evitar que se bloquee la rotación del brazo aspersor superior.



Llenado de la cesta de cubiertos

Introduzca los cubiertos en la cesta por separado, cada uno en su posición adecuada. Evite amontonar los cubiertos para no reducir la eficacia del lavado.



Para obtener resultados óptimos de limpieza y secado, consulte las opciones de carga estándar en la última sección de la PARTE I: Instrucciones generales

Función de detergente y de abrillantador

Función de detergente

Los ingredientes químicos de los detergentes para lavavajillas son necesarios para eliminar, descomponer y evacuar la suciedad del lavavajillas. La mayoría de los detergentes comercializados son aptos para este uso.

⚠ ADVERTENCIA

- Utilice sólo detergentes específicamente diseñados para lavavajillas. Conserve siempre el detergente en un lugar fresco y seco.
- No llene el depósito de detergente hasta que esté listo para poner en marcha el lavavajillas.



Los detergentes para lavavajillas son corrosivos. Mantenga el detergente fuera del alcance de los niños.

Función del abrillantador

El abrillantador se libera en la fase de aclarado final para evitar que el agua forme gotas sobre la vajilla y así no deje rastros. También mejora el secado al permitir que el agua escurra de la vajilla. Su lavavajillas está diseñado para funcionar con un abrillantador líquido.

⚠ ADVERTENCIA

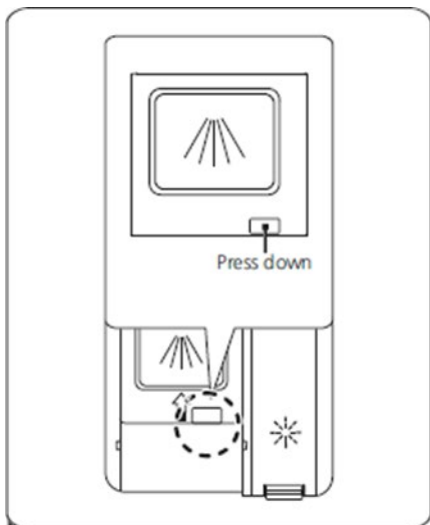
No eche otras sustancias en el dosificador de abrillantador (p. ej.: producto de lavavajillas, detergente líquido), ya que se estropearía el electrodoméstico.

¿Cuándo debo añadir abrillantador al depósito?

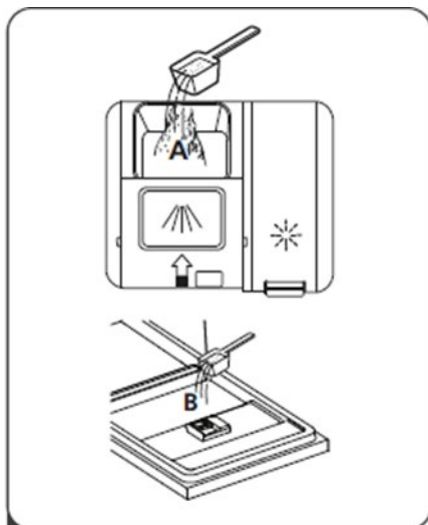
Casi todos los programas utilizan un abrillantador durante el aclarado final. Dependiendo de la frecuencia de uso y de la configuración del abrillantador, puede hacer falta rellenar el depósito.

El piloto de bajo nivel de abrillantador (✳) se enciende cuando hay que añadir producto. No llene el depósito de abrillantador en exceso.

Llenado del depósito de detergente

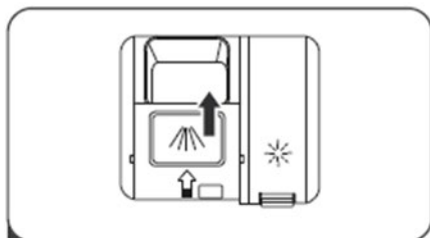


1 Abra la tapa presionando el pestillo de apertura.



2 Añada detergente en el depósito (A) para el ciclo de lavado principal.

Para una limpieza óptima, sobre todo si su vajilla está muy sucia, vierta una pequeña cantidad de detergente en la puerta (B). El detergente adicional se activará durante la fase de prelavado.



3 Cierre la tapa del depósito deslizándola hacia abajo hasta que encaje.

NOTA:

- Tenga en cuenta las recomendaciones del fabricante que figuran en el envase de su detergente.

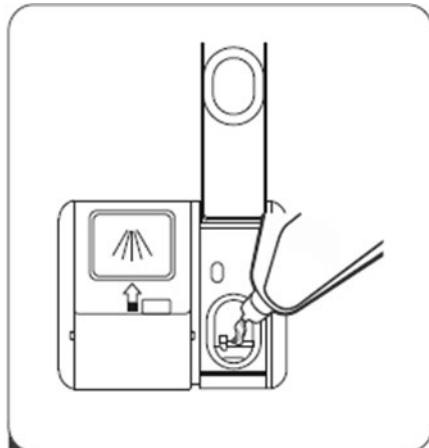
Llenado del depósito de abrillantador



- 1** Abra la tapa del depósito de abrillantador levantando el asa.



- 3** Cierre bien la tapa después de llenar el depósito.



- 2** Vierta lentamente el abrillantador en el depósito, evitando llenarlo en exceso. El abrillantador derramado debe limpiarse con un paño.

Ajuste del abrillantador

La cantidad de abrillantador que se dispensa durante el aclarado final se puede ajustar de la siguiente manera:

1. Abra la puerta y encienda el aparato.
2. En los 60 segundos posteriores al encendido del aparato, mantenga pulsado el botón de Limpieza automática más de 5 segundos y, a continuación, el botón de Inicio diferido para acceder al modo de ajuste del abrillantador. El indicador de abrillantador comenzará a parpadear.
3. Vuelva a pulsar el botón de Limpieza automática para seleccionar el ajuste según sus necesidades.

Los parámetros desfilan en el siguiente orden: D1->D2->D3->D4->D5->D1.

Cuanto más elevada sea la cifra, más abrillantador utilizará el lavavajillas.

El ajuste de fábrica es D3.



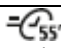
4. Cuando se alcance el ajuste deseado, espere 5 segundos o pulse el botón Inicio/Parada para guardar el ajuste seleccionado y salir del modo de ajuste.




SELECCIÓN DEL PROGRAMA

Tabla de programas

La tabla presenta información diversa acerca de los programas.

Los valores de consumo y de duración del programa se indican a título orientativo, salvo para el programa ECO. (●) indica que el programa utiliza el abrillantador en el último aclarado.

Programa	Descripción del ciclo	Detergente Prelavado/Lavado o principal	Duración (min)	Consumo eléctrico (kWh)	Agua (L)	Abrillantador
ICS+ ICS+	Prelavado (45°C) Lavado (55- 65°C) Aclarado Aclarado (50- 60°C) Secado	<u>5/19 g</u> (1 o 2 pastillas)	102-175	0,930-1,470	10,3-16,9	●
H+ Higiene 72°	Prelavado Lavado (72°C) Aclarado Aclarado Aclarado (72°C) Secado	<u>5/19 g</u> (1 o 2 pastillas)	225	1,925	16,7	●
 Silencio	Prelavado Lavado (60°C) Aclarado Aclarado Aclarado (50°C) Secado	<u>5/19 g</u> (1 o 2 pastillas)	230	1,330	16,7	●
ECO (*EN60436)	Lavado (50°C) Aclarado Aclarado (45°C) Secado	<u>24 g</u> (1 o 2 pastillas)	205	0,769	9,5	●
 90 min	Prelavado Lavado (0) Aclarado Aclarado (50) Secado	<u>5/19 g</u> (1 o 2 pastillas)	90	0,940	13,6	●
 Lavado y secado 55 min	Lavado (60°C) Aclarado Aclarado (50°C) Secado	<u>24 g</u> (1 pastilla)	55	0,795	11,3	●

Programa	Descripción del ciclo	Detergente Prelavado/Lavado o principal	Duración (min)	Consumo eléctrico (kWh)	Agua (L)	Abrillantador
 Lavado rápido 35 min	Lavado (55°C) Aclarado Aclarado (45°C)	18 g (1 pastilla)	35	0,690	11,3	
 Prelavado	Prelavado	/	14	0,120	3,9	
 Limpieza auto	Lavado (70°C) Aclarado Aclarado (55°C)	24 g (1 pastilla)	115	1,245	11,7	●

NOTA:

ECO: El programa ECO está adaptado a la limpieza de la vajilla con suciedad normal. Se trata del programa más eficiente en términos de consumo combinado de energía y agua, lo que hace que cumpla con la legislación europea sobre diseño ecológico.

Duración de funcionamiento de la apertura automática

Programa	Duración (min)								
	ICS+	Higiene 72°	Silencio	ECO	90 min	Lavado y secado 55 min	Lavado rápido 35 min	Prelavado	Limpieza auto
Con apertura automática	102-175	225	230	205	90	55	/	/	/
Sin apertura automática	121-189	239	264	220	90	55	35	14	115

NOTA: La opción de apertura automática no se puede seleccionar al mismo tiempo que los programas Lavado rápido 35 min, Prelavado y Limpieza auto.

Ahorro energético

1. El prelavado de la vajilla aumenta el consumo de agua y energía y no está recomendado.
2. El lavado de la vajilla en un lavavajillas doméstico suele consumir menos energía y agua que el lavado a mano cuando el electrodoméstico se utiliza siguiendo las instrucciones.

Lanzamiento de un programa

1. Saque la bandeja inferior y la superior, ponga la vajilla y empuje las bandejas hacia dentro.
2. Añada el detergente al depósito.
3. Conecte el aparato.
4. Asegúrese de que el suministro de agua está abierto para mantenerse en el rango de presión correcto.
5. Abra la puerta, pulse el botón Inicio/Parada.
6. Elija un programa, luego pulse el botón Encendido. Cierre la puerta. El lavavajillas iniciará el programa.

Cómo cambiar de programa durante un ciclo

Solo es posible modificar un programa si lleva poco tiempo en funcionamiento, ya que de lo contrario puede que el detergente se haya liberado o que el agua de lavado con el detergente ya se haya vaciado. En tal caso, debe reiniciar el lavavajillas y rellenar de nuevo el depósito de detergente. Para reiniciar el lavavajillas, siga estas indicaciones:

1. Entreabra la puerta para poner el ciclo en pausa. Cuando los brazos rociadores se detengan por completo, podrá abrir la puerta por completo.
 2. Pulse el botón Inicio/Parada durante más de tres segundos para activar el modo de selección de programa del lavavajillas.
 3. Puede cambiar el programa seleccionando el ciclo deseado.
4. Pulse el botón Inicio/Parada y cierre la puerta; el lavavajillas se pondrá en marcha de nuevo.



Olvido de un plato

Se puede añadir vajilla en todo momento antes de llenar el depósito de detergente. Siga el procedimiento explicado a continuación:

1. Abra un poco la puerta para detener el ciclo de lavado.
2. Cuando los brazos rociadores se detengan por completo, podrá abrir la puerta por completo.
3. Meta la vajilla olvidada.
4. Cierre la puerta.
5. El lavavajillas se reiniciará.



⚠ ADVERTENCIA



Abrir la puerta durante un ciclo es peligroso: el vapor caliente que sale podría provocar quemaduras.

Apertura automática

Al final de un programa, la puerta se abre automáticamente para conseguir un mejor efecto de secado y reducir el consumo de energía durante la fase de secado.

Puede pulsar el botón de Apertura automática para activar o desactivar la opción.



💡 NOTA:

La puerta del lavavajillas no debe bloquearse cuando esté programada para abrirse automáticamente. Esto puede alterar el funcionamiento del cierre.

CÓDIGOS DE ERROR

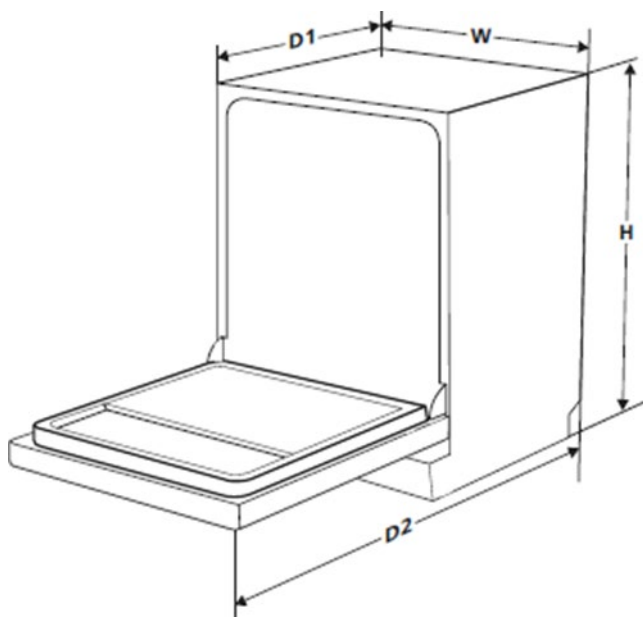
Si se produce una avería, el lavavajillas mostrará un código de error. La siguiente tabla contiene los posibles códigos de error y sus causas.

Código	Interpretación	Causas posibles
E1	Demasiada demora en el suministro de agua	El grifo está cerrado, la llegada de agua bloqueada o la presión del agua es demasiado débil.
E3	No se alcanza la temperatura requerida	Mal funcionamiento del elemento radiante.
E4	Desbordamiento	Un elemento del lavavajillas presenta una fuga
Ec	Fallo del sistema de control de lavado	Fallo de PCB, bomba de desagüe o motor
Ed	Fallo de comunicación entre la placa electrónica principal y la placa electrónica de la pantalla	Circuito abierto o cortocircuito de la comunicación.

ADVERTENCIA

- En caso de desbordamiento de agua, cierre el paso de agua principal antes de llamar a un técnico.
- Si hay agua en la cuba del aparato debido a un desbordamiento o a una pequeña fuga, vacíe el agua antes de volver a arrancar el lavavajillas.
- Si no se puede resolver un código de error, solicite asistencia a un profesional.

CARACTERÍSTICAS TÉCNICAS



Altura (H)	857 mm
Anchura (W)	598 mm
Profundidad (D1)	550 mm (puerta cerrada)
Profundidad (D2)	1226 mm (puerta abierta a 90°)

ACCESO A LA BASE DE DATOS

Para acceder a la información sobre el modelo de su electrodoméstico, almacenada en la base de datos de productos en virtud del Reglamento (UE) 2019/2017 y relacionada con el etiquetado energético, acceda al sitio web:

<https://eprel.ec.europa.eu/>

Busque la referencia del aparato en el sitio web introduciendo la referencia de servicio indicada en la placa descriptiva del electrodoméstico.

También puede acceder a esta información escaneando el código QR de la etiqueta energética del aparato.

Servicio técnico

- **INTERVENCIONES**

Las posibles intervenciones que pueda requerir el aparato deberán ser efectuadas por profesional cualificado y autorizado. Cuando llame, mencione la referencia completa de su aparato (modelo, tipo, número de serie). Esta información figura en la placa de características. Puede contactar con nosotros de lunes a sábado de 8 a 20 horas en el 06 69 39 34 34 (servicio gratuito + precio de la llamada).

- **PIEZAS ORIGINALES**



Brandt France, Servicio de
Atención al Cliente – **De Dietrich**

–

5 avenue des Béthunes, BP 69526
St Ouen L'Aumône, 95060 Cergy
Pontoise Cedex

> o llamarnos por teléfono al número:

De Dietrich: 0892.02.88.04*

0,50 € IVA inc. / min desde un teléfono fijo

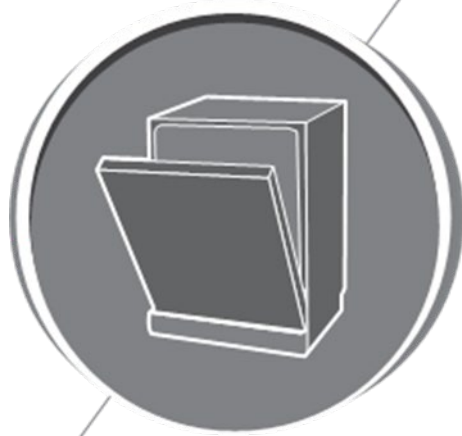
* Servicio prestado por Brandt France, sociedad por acciones simplificada con un capital de 1.000.000€, 89/91 boulevard Franklin Roosevelt, 92500 Rueil-Malmaison – RCS Nanterre 801 250 531

Brandt France, Sociedad por acciones simplificada, con un capital social de 1.000.000€, cuyo domicilio social se encuentra en 89/91 boulevard Franklin Roosevelt, 92500 Rueil-Malmaison, registrada bajo el número RCS Nanterre 801.250.531.

INFORMACIÓN:

el periodo mínimo de disponibilidad de las piezas de recambio incluidas en la lista del Reglamento Europeo 2019-2019-UE y accesibles para el usuario del aparato es de 10 años en las condiciones previstas por este mismo reglamento.

De Dietrich 



Astianpesukone

Käyttöopas

OSA I: Yleiset ohjeet

Lue tämä käyttöopas huolellisesti ennen astianpesukoneen käyttöä.
Säilytä se myöhempää tarvetta varten.

SISÄLLYSLUETTELO

01	3	TURVALLISUUSOHJEET
02	8	LAITTEEN ESITTELY
03	9	ASTIANPESUKONEEN KÄYTTÖ
	9	Suolan lisääminen vedenpehmentimeen
	11	Korien täyttövinkit
	13	Monikäyttöinen suuri keittiövälineteline
04	14	HUOLTO JA PUHDISTUS
	14	Ulkopuolen puhdistus
	14	Sisäpuolen puhdistus
	17	Astianpesukoneen huolto
	18	ASENNUSOHJEET
05	18	Tietoa sähköliitännästä
	19	Vedentulo ja -tyhjennys
	20	Tyhjennysletkun liittäminen
	21	Laitteen sijoitus
	21	Upotus (upotetulle mallille)
06	25	VIANMÄÄRITYSOPAS
07	28	Varaosien saatavuus
	29	KORIEEN TÄYTTÖ



- Lue Vianmääritysopas-kappale: sieltä voit löytää apua yleisimpien vikojen korjaamiseen itse.
- Jos et kykene ratkaisemaan ongelmaa itse, ota yhteys ammattimaiseen huoltohenkilöön.
- Tuotteen jatkuvien kehitys- ja päivityskäytäntöjen mukaisesti valmistaja voi muokata tuotetta ilman ennakoilmoitusta.

TURVALLISUUSOHJEET

VAROITUS

Kun käytät astianpesukonettasi, ota huomioon alla olevat varoitukset:

- Vain valtuutettu teknikko voi asentaa ja korjata laitteen
- Tämä laite on tarkoitettu ainoastaan kotitalouskäyttöön sekä samankaltaisiin käyttötarkoituksiin, kuten:
 - liiketilat, toimistotilat ja muut työympäristöt;
 - maatilat;
 - hotellit, motellit, Bed&Breakfast-tyyppiset majoitukset ja muut asuinmuodot;
 - puolihoitolaitokset.
- Yli 8-vuotiaat lapset ja henkilöt, joiden fyysiset, aistilliset tai henkiset kyvyt ovat heikentyneet tai joilla ei ole kokemusta ja tietämystä laitteen käytöstä, saavat käyttää laitetta vain kokeneen henkilön vastuun alaisena tai jos heille on annettu tarvittavat ohjeet laitteen turvalliseen käyttöön ja he ymmärtävät käyttöön liittyvät vaarat.
- Älä anna lasten leikkiä laitteella. Älä anna lasten puhdistaa tai huoltaa laitetta ilman valvontaa. (EN 60335-1)
Tätä laitetta ei ole tarkoitettu sellaisten henkilöiden käyttöön (mukaan lukien lapset), joiden fyysiset, aistilliset tai henkiset kyvyt ovat heikentyneet tai joilla ei ole kokemusta ja tietämystä laitteen käytöstä, paitsi jos heidän turvallisuudestaan vastaava henkilö valvoo heitä tai on antanut ennakoon laitteen käyttöä koskevia ohjeita.
- Pakkausmateriaalit voivat olla vaarallisia lapsille!
- Tämä laite on tarkoitettu ainoastaan kotitalouskäyttöön.

Sähköiskujen välttämiseksi älä koskaan upota laitetta, johtoa tai pistoketta veteen tai muuhun nesteeseen.

- Kytke laite irti sähköverkosta aina ennen laitteen puhdistusta tai huoltoa.
- Jos virtajohto on vioittunut, pyydä valmistajaa, valtuutettua korjaajaa tai jonkun muun vastaavan ammattitaidon omaavaa henkilöä vaihtamaan se vaaratilanteiden välttämiseksi.



Maadoitusohjeet

- Tämän laitteen tulee olla maadoitettu. Toimintahäiriön sattuessa laitteen maadoitus vähentää sähköiskuriskiä varmistuen sähkövirran heikon resistanssin. Tämä laite on varustettu maadoitukseen johdetulla pistokkeella.
- Pistoke on kytkettävä sopivaan virtalähteeseen, joka on asennettu ja maadoitettu paikallisten säännösten mukaisesti.
- Maadoitusjohtimen virheellinen kytkentä voi aiheuttaa sähköiskuvaaran.
- Mikäli olet epävarma laitteen maadoituksesta, ota yhteys pätevään sähköteknikkoon tai korjauspalvelun edustajaan.
- Älä muokkaa laitteen mukana toimitettua sähköpistoketta, jos se ei ole yhteensopiva pistorasian kanssa.
- Jos se ei sovi pistorasiaasi, pyydä pätevää sähköteknikka asentamaan sopiva pistorasia.
- Älä vahingoita astianpesukoneen ovea ja koreja tai istu tai nouse seisomaan niiden päälle.
- Käytä astianpesukonetta vain, kun kaikki sen seinät on asennettu kunnolla.
- Ole varovainen avatessasi käynnissä olevan astianpesukoneen oven: koneesta saattaa tulla vettä.
- Älä aseta raskaita esineitä tai nouse seisomaan astianpesukoneen avatun oven päälle. Laite voi kaatua.

- Kun täytät koneen likaisilla astioilla:
 - 1) Aseta terävät esineet niin, etteivät ne voi vahingoittaa oven tiivistettä;
 - 2) Huomio: veitset ja muut terävät välineet on asetettava aterinkoriin terä alaspäin tai vaakatasoon.
- Jotkut astianpesukoneen pesuaineet ovat erittäin alkalipitoisia. Ne voivat olla erittäin vaarallisia nieltyinä. Vältä kosketusta ihon ja silmien kanssa ja pidä lapset kaukana astianpesukoneesta, kun laitteen ovi on auki.
- Tarkista jokaisen pesujakson jälkeen, ettei laitteessa ole jälkiä pesuaineesta.
- Varmista, että kaikissa muovisissa keittiövälineissäsi on merkintä konepesun kestävydestä tai joku muu vastaava merkintä, ennen kuin peset ne astianpesukoneessa.
- Jos muovisissa keittiövälineissä ei ole tämänkaltaista merkintää, tarkista valmistajan suositukset.
- Käytä vain automaattisille astianpesukoneille suositeltuja pesu- ja huuhteluaineita.
- Älä koskaan käytä astianpesukoneen toiminnan aikana saippuaa, pyykinpesuainetta tai käsinpesuun tarkoitettua astianpesuainetta.
- Muista aina sulkea astianpesukoneen ovi kaatumisen estämiseksi.
- Laitteen asentamisen aikana älä taita tai litistä virtajohtoa liiallisesti tai vaarallisesti.
- Älä muokkaa komentoja.
- Laite on kytkettävä veden pääsyöttöventtiiliin uusilla letkuilla. Älä käytä vanhoja letkuja.
- Energian säästämiseksi laite sammuu valmiustilassa automaattisesti, jos laitteelle ei tehdä toimintoja 15 minuuttiin.
- Tuotteeseen mahtuu 16 astiastoa.
- Tuloveden paineen on oltava välillä 0,04–1 MPa.

Hävittäminen

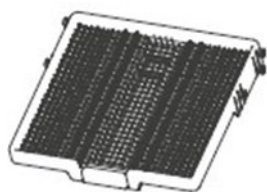
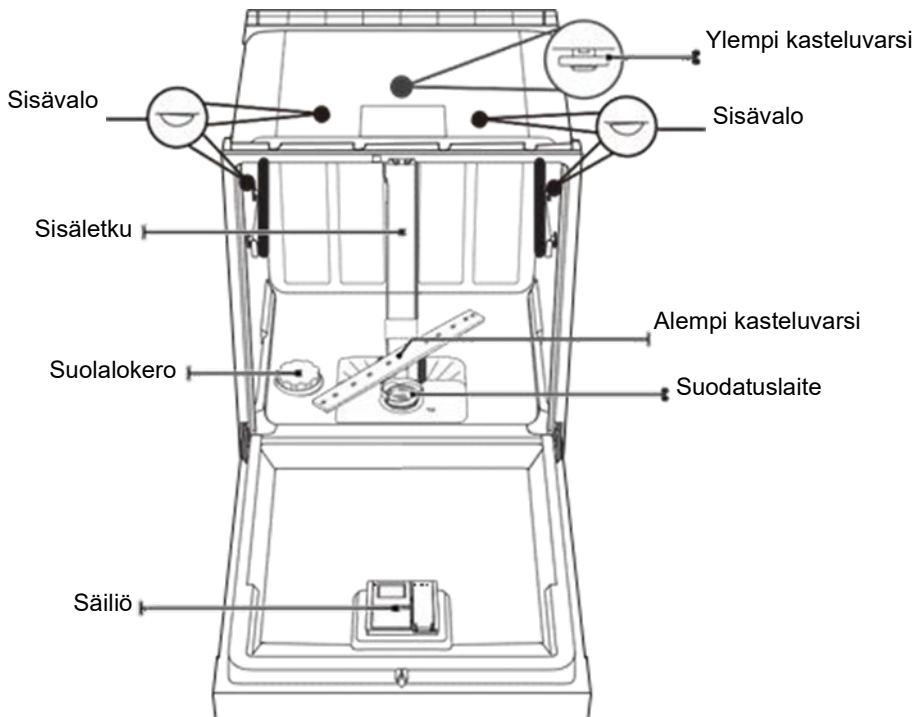
- Hävitä laite ja sen pakkaus kierrätyskeskuksessa.
Ennen sitä sinun on katkaistava virtajohto ja estettävä oven sulkujärjestelmän käyttö.
- Pahvipakkaus on valmistettu kierrätetystä paperista, ja sen voi heittää paperikeräykseen kierrätystä varten.
- Kun hävität laitteen oikealla tavalla, autat suojelemaan ympäristöä ja ihmisten terveyttä varmistamalla, että jätteet käsitellään optimaalisissa olosuhteissa.
- Pyydä lisätietoa tämän tuotteen kierrätyksestä kunnantalostasi ja paikallisesta kotitalousjätteiden käsittelykeskuksesta.
- **HÄVITTÄMINEN: Älä hävitä tätä laitetta lajittelemattoman kotitalousjätteen mukana. Tämä laite on hävitettävä erikseen, jotta se voidaan käsitellä sopivalla tavalla.**



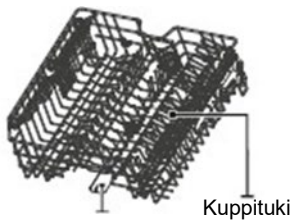
LAITTEEN ESITTELY

❶ TÄRKEÄÄ:

Astianpesukoneen optimaalisen suorituskyvyn takaamiseksi lue kaikki käyttöohjeet ennen ensimmäistä käyttöä.



Aterinlaatikko



Yläkori



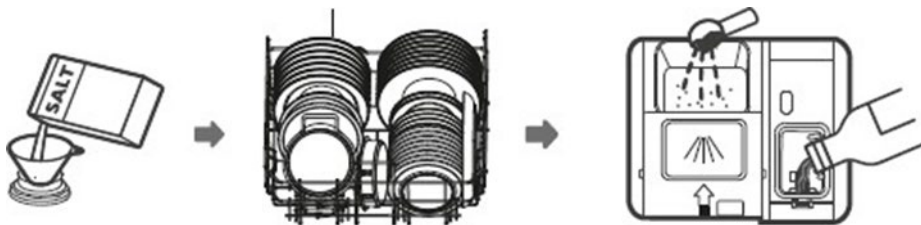
Alakori



Kuvat ovat vain viitteellisiä, ja ne voivat vaihdella mallikohtaisesti.

ASTIANPESUKONEEN KÄYTTÖ

Ennen astianpesukoneen käyttöä:



1. Säädä vedenpehmennin
2. Lisää suolaa vedenpehmentimeen
3. Täytä korit
4. Täytä pesuainelokero



Katso OSAN II/Erytisyohjeet osiosta 1 « Vedenpehennin » lisätietoja vedenpehmentimen säädöstä.

Suolan lisääminen vedenpehmentimeen

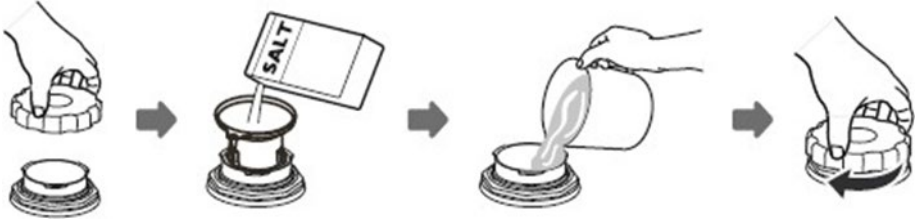
Jos mallissasi ei ole vedenpehennintä, voit hypätä tämän osion yli. Muista käyttää astianpesukoneeseen tarkoitettua suolaa.

Suolalokero sijaitsee alakorin alla, ja se on täytettävä seuraavalla tavalla:

VAROITUS

- **Käytä vain astianpesukoneelle tarkoitettua erityissuolaa!**
Kaikki muut astianpesukoneelle sopimattomat suolat, erityisesti pöytäsuola, voivat vahingoittaa vedenpehennintä. Jos laite vahingoittuu vääränlaisen suolan käytön vuoksi, valmistaja ei tarjoa minkäänlaista takuuta eikä sitä voi pitää vastuussa tästä aiheutuvista vahingoista.
- **Lisää suola ainoastaan ennen pesujaksoa.**
Tällä ehkäistään mahdollisesti lokeron ulkopuolelle tippuneiden suolarakeiden tai suolaisen veden jäämistä laitteen pohjalle tietyksi aikaa, mikä voi vahingoittaa pohjan pintaa.

Lisää astianpesukoneelle tarkoitettua suolaa alla olevalla tavalla:



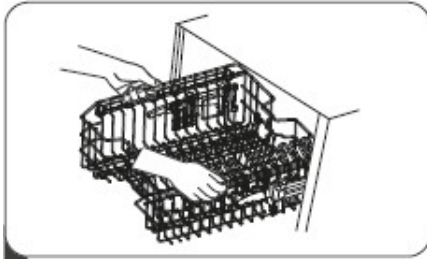
1. Poista alakori ja avaa lokeron kansi kääntämällä.
2. Aseta suppilon (jos toimitetaan mukana) kärki reikään ja kaada noin 0,6 kg suolaa astianpesukoneeseen.
3. Täytä suolalokero enimmäistasoon asti. On normaalia, että pieni määrä vettä valuu suolalokerosta.
4. Kun lokero on täytetty, kierrä kansi takaisin paikoilleen kiristämällä tiukasti.
5. Kun suolalokero on täytetty, suolan hälytysvalo sammuu.

HUOMIO:

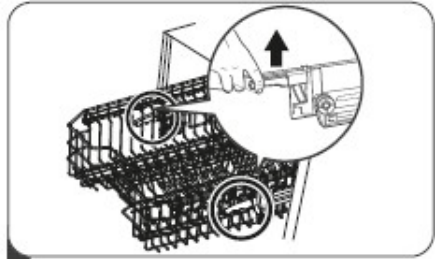
- Suolalokero on täytettävä vain, kun suolan hälytysvalo (🔊) syttyy ohjauspaneelissa. Suolan liukenemisnopeudesta riippuen on mahdollista, että suolan hälytysvalo pysyy päällä, vaikka lokero on täytetty. Jos ohjauspaneelissa ei ole suolan hälytysvaloa (joissakin malleissa), voit määrittää suolan lisäyshetken pehmentimeen astianpesukoneen suorittamien pesujaksojen perusteella.
- Jos olet kaatanut suolaa lokeron ulkopuolelle, käynnistä liotusohjelma tai pikaohjelma suolan poistamiseksi.

Korien täyttövinkit

Yläkorin säätö



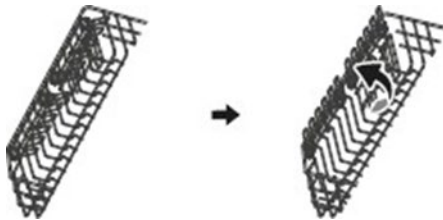
1 Nosta yläkoria nostamalla sitä kunkin sivun keskeltä, kunnes se lukittuu korkeaan asentoon. Säätökahvoja ei tarvitse nostaa.



2 Laske yläkoria nostamalla kunkin sivun säätökahvoja vapauttaaksesi korin ja laskeaksesi sen alempaan asentoon.

Laske kuppituki

Vapauta lisätilaa yläkorissa suuremmille esineille nostamalla kuppituet ylös. Nyt voit sijoittaa suurikokoiset lasit kuppitukea vasten. Voit myös poistaa tuen kokonaan, jos et tarvitse sitä.



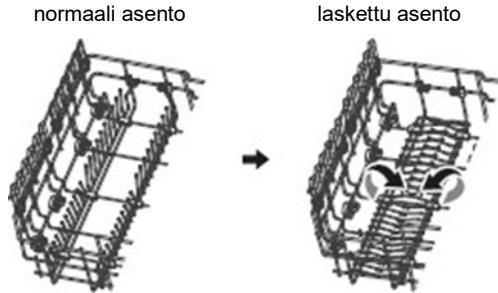
HUOMIO:

Kun yläkori on lukittu korkeaan asentoon, kuppitukia ei voi nostaa.



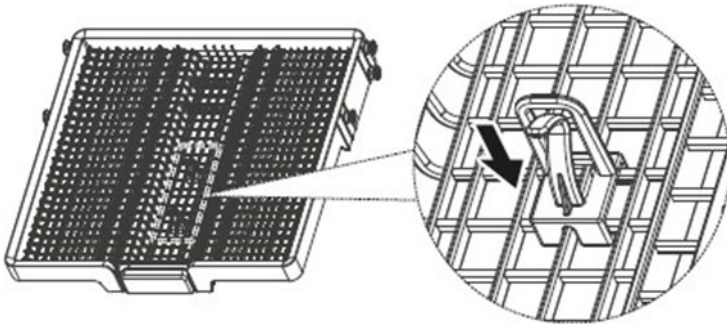
Laske piikit

Alakorin piikkeihin voi asettaa lautasia ja vateja. Voit laskea ne alas saadaksesi lisätilaa suuremmille astioille.

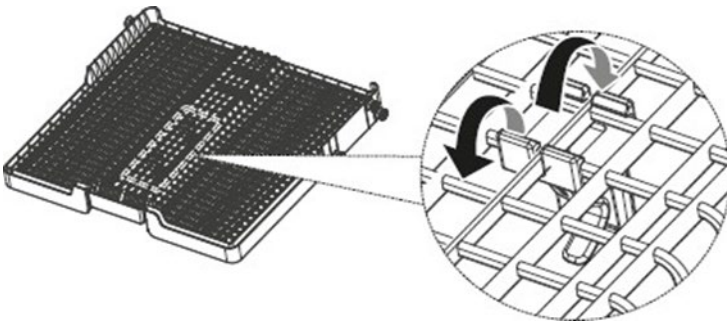


Tuttiteline

Tuki kiinnitetään kiristämällä se sille sopivaan kohtaan kuvan osoittamalla tavalla. Sitä voi käyttää pienten esineiden, kuten tutin, kiinnittämiseen.



Poista tuki avaamalla kielekkeet alakautta kuvan osoittamalla tavalla.



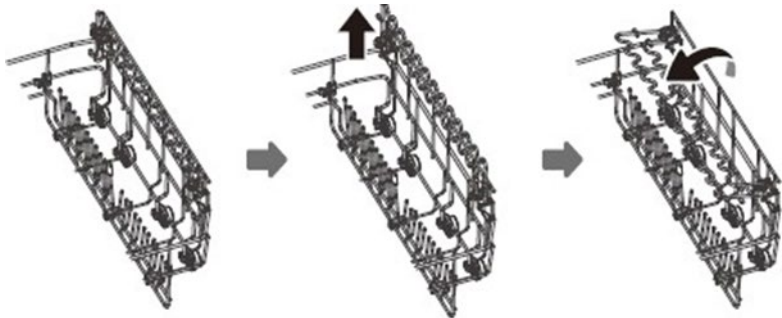
Monikäyttöinen suuri keittiövälineteline

Tarjoaa turvallisen ja joustavan paikan suurille keittiöastioille, kuten uunilevyt ja leikkuulaudat. Sitä voi myös käyttää pitkille viinilaseille.



Kun haluat käyttää sitä, vedä tuesta ja nosta se ylös.

Voit laskea tuen alas, jos et tarvitse sitä. Se ei vie ylimääräistä tilaa alas laskettuna.



HUOLTO JA PUHDISTUS

Ulkopuolen puhdistus

Ovi ja oven tiiviste

Puhdista oven tiivisteet säännöllisesti hankaamattomalla kostealla liinalla ruoan tähteiden poistamiseksi.

Kun täytät astianpesukoneen, ruoan tähteet tai nesteet voivat tahria laitteen oven reunoja. Nämä pinnat ovat

pesualueen ulkopuolella eikä kasteluvarsien suihkuttama vesi yllä niihin. Pyyhi mahdolliset tähteet pois ennen kuin suljet oven.

Ohjauspaneeli

Puhdista ohjauspaneeli pyyhkimällä hankaamattomalla kostealla liinalla.

VAROITUS

- Älä koskaan käytä suihkemaisia puhdistusaineita, jotta vesi ei pääse oven lämpötilalaitteeseen ja elektronisiin osiin.
- Älä koskaan käytä ulkopintojen puhdistukseen hankaavia aineita tai pesusieniä, sillä ne voivat naarmuttaa pinnoitusta. Jotkut talouspaperitkin voivat naarmuttaa pintaa tai jättää siihen jälkiä.

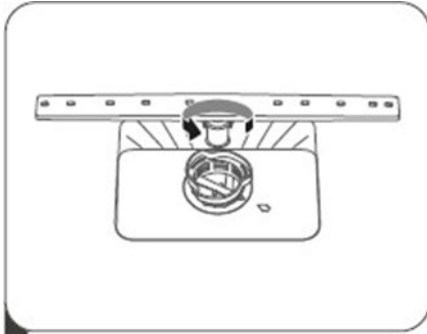
Sisäpuolen puhdistus

Suodatusjärjestelmä

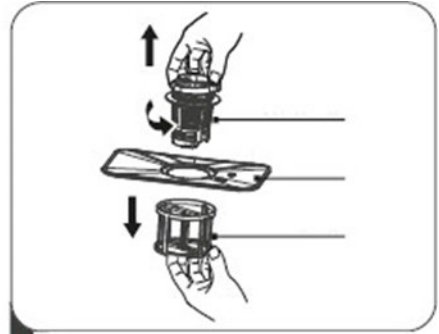
Laitteen alaosassa sijaitseva suodatusjärjestelmä nappaa pesujakson aikana suuret ruoan tähteet ja esineet, kuten hammastikut ja lasinsirpaleet. Suodattimen keräämät esineet voivat tukkia sen. Valvo säännöllisesti (joka kuukausi) suodatinten kuntoa. Poista tähteet ja esineet huolellisesti ja puhdista suodatusjärjestelmän osat tarvittaessa vedellä. Noudata suodattimen puhdistuksessa alla olevaa menetelmää.

HUOMIO:

Kuvat ovat vain viitteellisiä, ja ne voivat vaihdella suodatusjärjestelmän ja kasteluvarren mallien mukaan.



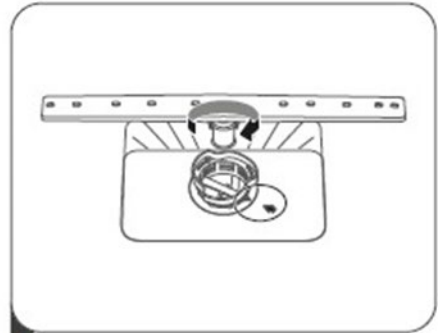
1 Pidä esisuodattimesta kiinni ja avaa se kääntämällä vastapäivään. Nosta suodatinta ja poista se astianpesukoneesta.



2 Voit poistaa suodatuslaitteen pohjalla olevan hienon suodattimen. Irrota esisuodatin pääsuodattimesta painamalla ylhäällä edessä olevia kielekkeitä varoen.



3 Huuhtele suodatin vesihanalla poistaaksesi suurimmat ruoan tähteet. Tee tehokkaampi puhdistus hankaamattomalla puhdistusharjalla.



4 Asenna suodattimet paikoilleen irrottamisen vastakkaisessa järjestyksessä, aseta suodatuslaite paikoilleen ja käännä sitä myötäpäivään sulkunuoleen asti.

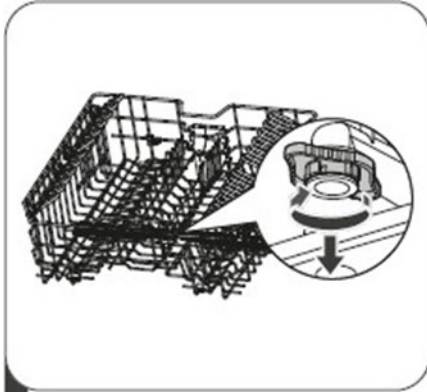
VAROITUS

- Älä kiristä suodattimia liikaa. Asenna suodattimet järjestyksessä kiertämällä, jotta suuret ruoan tähteet eivät pääse järjestelmään ja tuki sitä.
- Älä koskaan käytä astianpesukonetta ilman suodattimia. Huonosti paikoilleen asetettu suodatin voi heikentää koneen suorituskykyä ja vahingoittaa astioitasi.

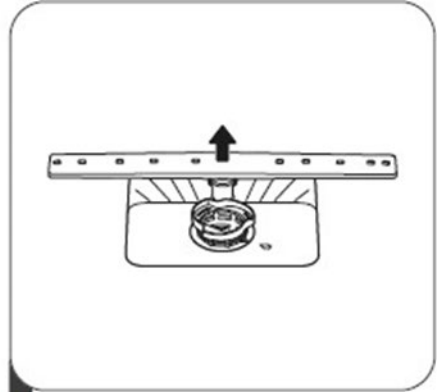
Kasteluvarsi

Kasteluvarret on puhdistettava säännöllisesti, jotta kovan veden kemialliset hiukkaset eivät tuki kasteluvarsiensa suuttimia ja laakereita.

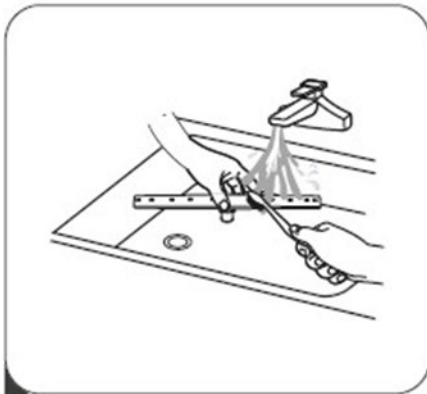
Puhdista kasteluvarret alla olevien ohjeiden mukaisesti:



- 1** Irrota ylempi kasteluvarsi pitämällä kiinni mutterin keskeltä ja kääntämällä kasteluvartta myötäpäivään.



- 2** Irrota alempi kasteluvarsi vetämällä sitä ylöspäin.



- 3** Pese varret haalealla saippuavedellä ja puhdista suuttimet pehmeällä harjalla. Huuhtelee varret kunnolla ja aseta ne takaisin paikoilleen.

Astianpesukoneen huolto

Varotoimet huurteen estämiseksi

Muista suojella astianpesukonettasi huurteelta talvisin. Noudata jokaisen pesujakson jälkeen seuraavaa menetelmää:

1. Kytke astianpesukone irti virtalähteestä.
2. Katkaise vedentulo ja kytke vedentuloletku irti vesihanasta.
3. Tyhjennä vesi vedentuloletkusta ja vesihanasta. (Kerää vesi talteen kattilaan)
4. Kytke vedentuloletku takaisin vesihanaan.
5. Irrota suodatin astianpesukoneen sisältä ja pyyhi koneen sisään jäänyt vesi pois.

Jokaisen pesun jälkeen

Katkaise vedentulo jokaisen pesun jälkeen ja jätä ovi hetkeksi hieman raolleen, jotta kosteus ja hajut haihtuvat.

Kytke pistoke irti

Kytke pistoke irti sähköverkosta aina ennen laitteen puhdistusta tai huoltoa.

Puhdistus ilman liuotainaineita ja hankaavia tuotteita

Älä käytä astianpesukoneen ulkokuoren ja kumisten osien puhdistukseen liuotainaineita tai hankaavia puhdistustuotteita. Suorita puhdistus haaleaan saippuaveteen kostutetulla liinalla.

Poista sisäosien tahrat veteen kostutetulla liinalla ja pienellä määrällä viinietikkaa tai puhdistusainetta, joka on erityisesti tarkoitettu astianpesukoneelle.

Kun laitetta ei käytetä pitkään aikaan

On suositeltavaa käynnistää pesujakso kone tyhjänä ja sitten kytkeä pistoke irti, katkaista vedentulo ja jättää laitteen ovi raolleen. Tämä parantaa oven tiivisteiden käyttöikä ja estää hajujen muodostumisen astianpesukoneen sisään.

Laitteen siirtäminen

Jos sinun on siirrettävä laitetta, yritä pitää se pystyasennossa. Sen voi kallistaa taaksepäin tarvittaessa.

Tiivisteet

Yksi astianpesukoneen hajujen muodostumisen syy on ruoan tähteiden jääminen tiivisteisiin. Tämän voi ehkäistä puhdistamalla tiivisteet säännöllisesti kostealla pesusienellä.

ASENNUSOHJEET

⚠ VAROITUS



Sähköiskuvaara

Katkaise sähkövirta ennen astianpesukoneen asennusta. Tämän ohjeen noudattamatta jättäminen voi aiheuttaa sähköiskun tai kuoleman.

⚠ Varoitus

Vain ammattilaiset saavat suorittaa letkujen ja sähkölaitteiden liitännät.

Tietoa sähköliitännästä

⚠ VAROITUS

Turvallisuutesi vuoksi:

- Älä käytä tämän laitteen kanssa jatkojohtoa tai sovitinta.
- Älä koskaan katkaise tai poista maadoitusliittimiä missään olosuhteissa.

Virransyöttö

Katso tarvittava jännite laitteen tyyppikilvestä kytkeäksesi astianpesukoneen sopivaan virransyöttölähteeseen. Käytä vaadittavaa 10A/13A/16A ampeerin sulaketta, viivesulaketta tai suositeltua virrankatkaisijaa ja luo erillinen virtapiiri vain tätä laitetta varten.

Varmista, että jännite ja tehon taajuus vastaavat tyyppikilven merkintöjä. Kytke pistoke pistorasiaan vasta, kun olet tarkistanut maadoituksen toiminnan. Jos pistorasia, johon laite on liitettävä, ei ole sopiva pistokkeelle, vaihda pistorasia sen sijaan,

että käyttäisit sovittimia tai vastaavia, sillä ne voivat aiheuttaa ylikuumenemista ja palovammoja.

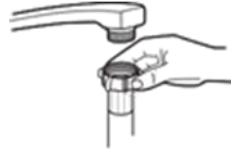
⚠ Varmista, että käytössä on asianmukainen maadoitusliitin ennen laitteen käyttöä

Vedentulo ja -tyhjennys

Kylmävesiliitäntä

Kytke kylmän veden tuloletku kierteiseen 3/4 (tuumaa) liittimeen ja varmista, että se on kierretty tiukasti kiinni.

Jos letkut ovat uusia tai niitä ei ole käytetty pitkään aikaan, annan veden ensin valua varmistaen, että vesi on kirkasta. Tämä on tarpeellista, jotta vedentulo ei tukkeudu ja vahingoita laitetta.



Tavallinen vedentuloletku



Turvattu vedentuloletku

Tietoa turvatusta vedentuloletkusta

Turvatussa vedentuloletkussa on kaksoisseinämä. Tämä järjestelmä estää vedentulon, jos letku on vahingoittunut tai jos vedentuloletkun ja ulkoisen letkun välinen ilmalukko on täynnä vettä.

⚠ VAROITUS

Hanaan kiinnitetty letku voi räjähtää, jos se on asennettu samaan vedentuloon kuin astianpesukone. Jos altaasi on varustettu letkulla, suosittelemme irrottamaan sen ja tukkimaan tuloaukon.

Miten turvattu vedentuloletku liitetään

1. Irrota turvatut vedentuloletkut astianpesukoneen takana olevasta säilytyslokerosta.
2. Ruuvaa turvattu vedentuloletku vesihanaan kierteisellä 3/4-liittimellä.
3. Avaa vedentulo kokonaan ennen astianpesukoneen käynnistämistä.

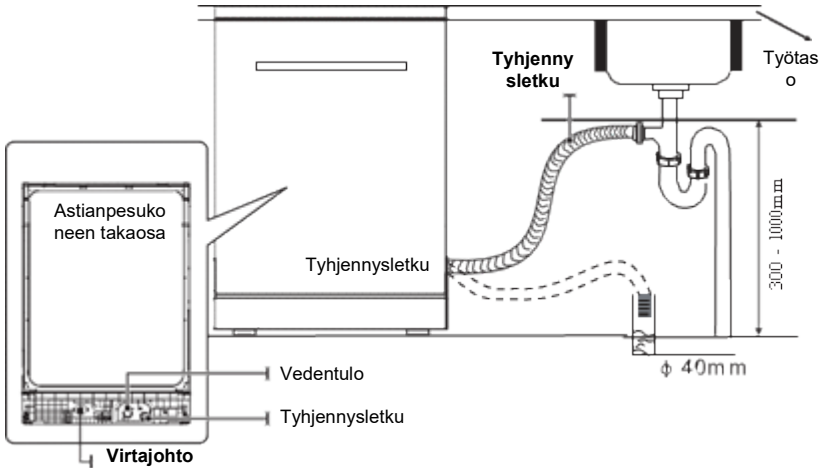
Miten turvattu vedentuloletku irrotetaan

1. Katkaise vedentulo.
2. Irrota turvattu vedentuloletku kiertämällä se auki.

Tyhjennysletkun liittäminen

Liitä tyhjennysletku halkaisijaltaan vähintään 4 cm poistoputkeen tai anna sen valua tiskialtaaseen taivuttamatta tai nipistämättä sitä. Tyhjennysletkun korkeuden on oltava alle 1 000 mm. Patoutumien estämiseksi letkun vapaa pää ei saa olla upotettuna veteen.

⚠ Kiinnitä tyhjennysletku asentoon A tai B, jotta se pysyy paikoillaan



Liian veden kerääminen letkuista

Jos tyhjennysletku kiinnitetään yli 1 000 mm korkeuteen, tyhjennysletkuun saattaa jäädä ylimääräistä vettä. Ylimääräinen vesi on tyhjennettävä kulhoon tai muuhun sopivaan astiaan, jota säilytetään altaan ulkopuolella ja alapuolella.

Veden poisto

Kytke tyhjennysletku. Tyhjennysletku on asennettava kunnolla, jotta vesi ei pääse valumaan. Varmista, että veden tyhjennysletkua ei ole taitettu tai litistetty.

Jatkoletku

Jos tarvitset tyhjennysletkuun jatko-osan, varmista, että käytät vastaavaa vedentyhjennysletkua.

Se saa olla enintään 4 metriä pitkä, muussa tapauksessa astianpesukoneen puhdistusteho voi alentua.

Laitteen sijoitus

Asenna laite haluamallesi paikalle. Laitteen takaosan on oltava seinää vasten ja sivuseinät vierekkäisiä seiniä vasten. Astianpesukone on varustettu veden tulo- ja poistoletkuilla, jotka voidaan sijoittaa laitteen oikealle tai vasemmalle puolelle asennuksen helpottamiseksi.

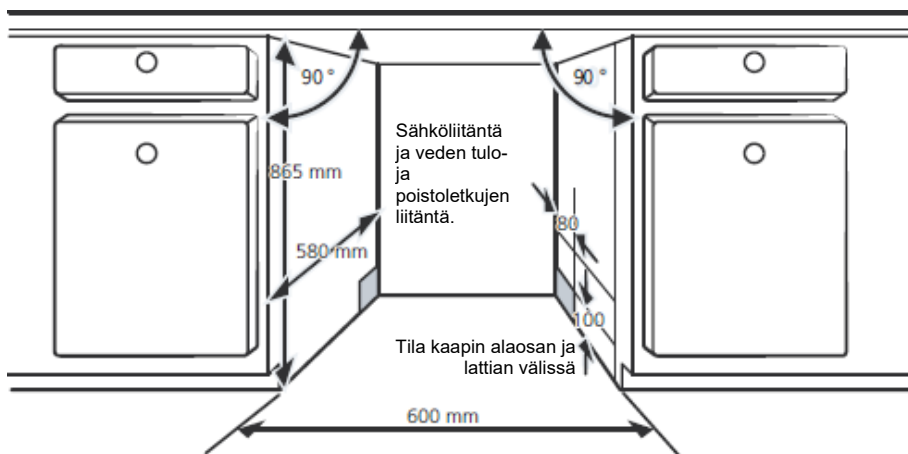
Upotus (upotetulle mallille)

Vaihe 1. Sopivimman paikan valitseminen astianpesukoneelle

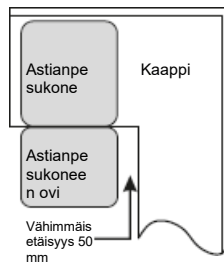
Astianpesukone on asennettava olemassa olevien veden tulo- ja tyhjennysletkujen sekä sähköpistorasian läheisyyteen.

Kuva astianpesukoneen asennuspaikan ja -sijainnin mitoista.

1. Alle 5 mm astianpesukoneen yläosan ja työtason välillä; ulkoseinä samansuuntainen kaappien kanssa.



2. Jos astianpesukone asennetaan kulman lähelle, varaa turvallinen etäisyys oven aukaisua varten.



HUOMIO:

Sähköpistorasian paikasta riippuen sinun on ehkä leikattava reikä vieressä olevan kaapin sivuseinään.

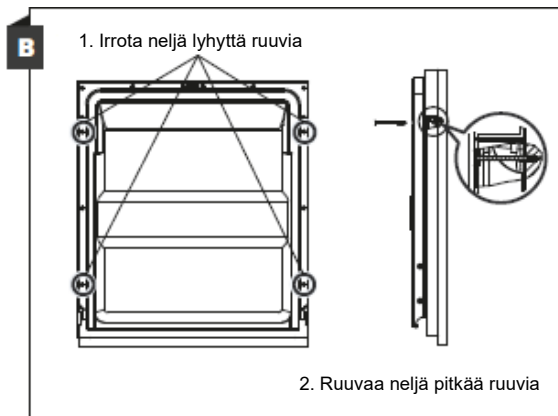
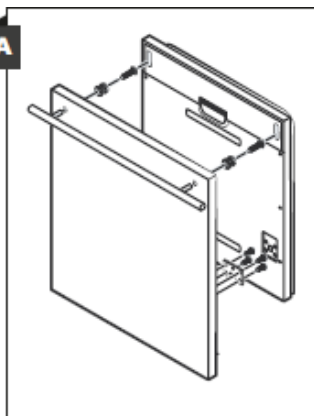
Vaihe 2. Etupaneelin mitat ja asennus



Noudata erityisiä asennusohjeita oven etupaneelin kiinnittämiseen.

Integroitava malli

Asenna koukku etupaneeliin (noin 5–9 kg) ja aseta se astianpesukoneen ulko-oven rakoon (katso kuva A). Kun olet sijoittanut paneelin, kiinnitä se ulko-oveen ruuvilla ja muttereilla (katso kuva B).

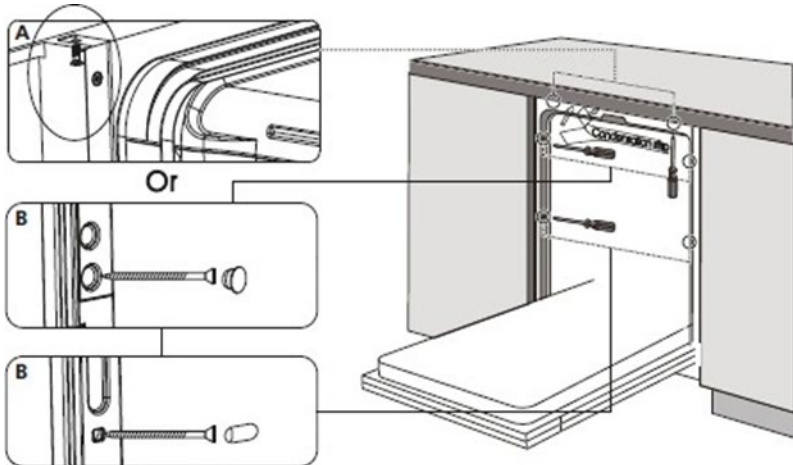


Vaihe 3. Astianpesukoneen asennusvaiheet



Katso lisää asennuskaavioissa ilmoitetuista erityisistä asennusohjeiden vaiheista.

1. Asenna etupaneeli astianpesukoneen ulko-oveen. (Vaiheet 2-5)
2. Säädä oven jousien jännitettä kuusiokoloavaimella kääntämällä myötäpäivään oven vasemman ja oikean jousen kiristämiseksi. Tämän ohjeen noudattamatta jättäminen voi vahingoittaa astianpesukonettasi. (Vaihe 6)
3. Kiinnitä tiivistysnauha työtason alle. Tarkista, että tiivistysnauha on samassa suunnassa työtason reunan kanssa. (Vaihe 8)
4. Kytke vedentuloletku kylmän veden tulohanaan. (Vaihe 9)
5. Kytke tyhjennysletku. (Vaihe 9)
6. Kytke virtajohto. (Vaihe 9)
7. Aseta astianpesukone paikoilleen. (Vaihe 10)
8. Aseta astianpesukone tasaisesti. Voit säätää takajalkaa astianpesukoneen edestä kääntämällä astianpesukoneen pohjan keskellä olevaa ristipääruuvia ristipäättälällä. Säädä etujalka kääntämällä litteää ruuvimeisseliä, kunnes astianpesukone seisoo tasaisesti. (Vaihe 11)
9. Astianpesukone on kiinnitettävä kunnolla. Paikasta riippuen voit valita ylä- tai sivukiinnityksen. Kiinnitys suoritetaan seuraavasti: (Vaihe 12)
 - A. Normaali työtaso: Liitä asennuskoukku sivupaneelin rakoon ja kiinnitä se työtasoon ruuvilla.
 - B. Marmori- tai graniittityötaso: Kiinnitä sivupaneeli ruuvilla.

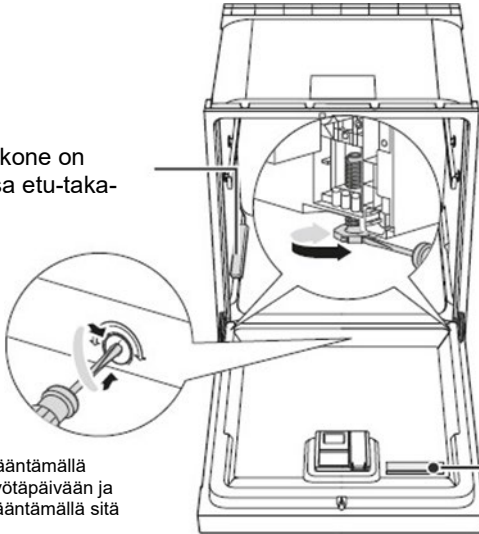


Vaihe 4. Astianpesukoneen asentaminen tasaisesti

Astianpesukone on asetettava tasaisesti paikoilleen astiakorien ja pesuominaisuuksien optimaalisen toiminnan takaamiseksi.

1. Aseta vesivaaka oven ja sisäosan korin liukukiskon päälle kuvan osoittamalla tavalla ja tarkista, että astianpesukone on vaakasuorassa.
2. Aseta astianpesukone vaakasuoraan säätämällä kolmea säätöjalkaa erikseen.
3. Varmista tasoituksen aikana, että astianpesukone ei kaadu.

Tarkista, että kone on vaakasuorassa etu-taka-akselilla



Lisää korkeutta kääntämällä ruuvimeisseliä vasemmalle ja laske korkeutta kääntämällä sitä oikealle.

Lisää korkeutta kääntämällä ruuvimeisseliä myötäpäivään ja laske korkeutta kääntämällä sitä vastapäivään.

Tarkista, että kone on vaakasuorassa vasen-oikea-akselilla

HUOMIO:

Jalkojen enimmäissäätökorkeus on 50 mm.

VIANMÄÄRITYSOPAS

Ennen kuin otat yhteyden huoltohenkilöön

Seuraavien taulukoiden ohjeita seuraamalla sinun ei tarvitse soittaa huoltoon.

Ongelma	Mahdolliset syyt	Mitä tehdä?
Astianpesukone ei käynnisty	Sulake on palanut tai virtakatkaisin ei toimi.	Vaihda sulake tai nollaa virtakatkaisin. Kytke irti kaikki muut samaan virtapiiriin astianpesukoneen kanssa kytketyt sähkölaitteet.
	Laite ei saa sähkövirtaa.	Tarkista, että astianpesukone on kytketty sähköverkkoon ja että ovi on kunnolla kiinni. Tarkista, että virtajohto on liitetty kunnolla pistorasiaan.
	Vedenpaine on heikko	Tarkista, että vedentulo on kytketty kunnolla ja että vesihana on auki.
	Astianpesukoneen ovi ei ole kunnolla kiinni.	Muista sulkea ovi ja salpa kunnolla.
Astianpesukone ei pumppaa vettä	Tyhjennysletku on taittunut tai jumissa.	Tarkista tyhjennysletkun kunto
	Suodatin on tukossa.	Tarkista suodatusjärjestelmä.
	Tiskiallas on tukossa.	Tarkista keittiön tiskialtaan kunto ja mahdolliset tukokset. Jos altaassa oleva vesi ei tyhjene, sinun on ehkä otettava ennemmin yhteys putkimieheen kuin astianpesukoneista vastaavaan huoltohenkilöön.
Koneen sisällä on vaahtoa	Käytetty pesuaine ei sovi astianpesukoneelle.	Käytä vain astianpesukoneille tarkoitettuja pesuaineita vaahton välttämiseksi. Jos ongelma jatkuu, avaa astianpesukone ja anna vaahton haihtua. Lisää 1 litra vettä astianpesukoneen pohjaan. Sulje astianpesukoneen ovi ja valitse mikä tahansa pesujakso. Astianpesukone aloittaa veden tyhjennyksen. Avaa ovi, kun koneessa ei ole enää vettä ja tarkista, että vaahto on kadonnut. Toista sama tarvittaessa.

Ongelma	Mahdolliset syyt	Mitä tehdä?
	Koneeseen on valunut huuhteluainetta.	Puhdista aina valunut huuhteluaine välittömästi.
Koneen sisäosa on tahrainen	Olet käyttänyt väriaineita sisältävää pesuainetta.	Tarkista, että käyttämässäsi pesuaineessa ei ole väriaineita.
Koneen sisäpinnoissa on valkoinen kalvo	Kyseessä on kovan veden sisältämät mineraalit.	Puhdista sisäosa astianpesukoneen pesuaineeseen kostutetulla pehmeällä liinalla ja muista käyttää kumikäsineitä. Älä koskaan käytä muita kuin astianpesukoneelle tarkoitettuja aineita välttääksesi vaahdon muodostumisen.
Aterimissa on ruostetahroja	Tahraantuneet aterimet eivät kestä korroosiota.	Vältä pesemästä astianpesukoneella aterimia, jotka eivät kestä korroosiota.
	Yhtään ohjelmaa ei ole käynnistetty astianpesukonesuolan lisäämisen jälkeen. Suolatahrat ovat sekoittuneet pesujaksoon.	Käynnistä pesuohjelma aina kone tyhjänä suolan lisäämisen jälkeen. Älä valitse Turbo-toimintoa (jos koneessa on sellainen) suolan lisäämisen jälkeen.
	Pehmenninlokero kansi ei ole kunnolla kiinni.	Tarkista, että pehenninlokero kansi on kunnolla kiinni.
Kolinar ääntä astianpesukoneen sisällä	Yksi kasteluvarsista osuu alakorissa olevaan keittiöväliseeseen.	Keskeytä ohjelma ja järjestele varteen osuvat keittiöväliseet uudelleen.
Astianpesukoneesta kuuluu kilinää	Aterimet ovat tippuneet astianpesukoneessa.	Keskeytä ohjelma ja järjestele aterimet uudelleen.
Kolinar ääntä vesiputkissa	Se voi johtua putkien asennuksesta tai niiden osista.	Se ei vaikuta astianpesukoneen suorituskykyyn. Jos olet epävarma, ota yhteys pätevään putkimieheen.
Astiat eivät ole puhtaita	Astioita ei ole asetettu ohjeiden mukaisesti astianpesukoneeseen.	Katso OSA II « Astianpesukoneen valmistelu ja täyttö ».
	Valittu ohjelma ei ole tarpeeksi tehokas.	Valitse voimakkaampi ohjelma.

Ongelma	Mahdolliset syyt	Mitä tehdä?
Astiat eivät ole puhtaita.	Pesuaineen määrä ei ole riittävä.	Lisää pesuainetta tai vaihda pesuaine.
	Keittiövälineet tukkivat kasteluvarren kulun.	Järjestele keittiövälineet uudelleen, jotta kasteluvarret liikkuvat vapaasti..
	Suodatuslaite ei ole puhdas tai sitä ei ole kiinnitetty kunnolla astianpesukoneen pohjaan. Se voi aiheuttaa kasteluvarsien suutinten tukkeutumisen.	Puhdista ja/tai aseta suodatuslaite oikein paikoilleen. Puhdista kasteluvarret.
Sameat lasit.	Liikaa pesuainetta pehmeän veden kanssa.	Käytä pehmeässä vedessä vähemmän pesuainetta ja valitse lyhyempi pesujakso lasien pesemiseen, jolloin niistä tulee puhtaampia.
Valkoisia tahroja keittiövälineissä ja laseissa.	Kova vesi voi jättää kalkkijäämiä.	Tarkista vedenpehmentimen säädöt tai suolalokeron täyttö.
Astioissa on mustia tai harmaita tahroja	Alumiinivälineet ovat hanganneet astioita vasten	Puhdista astiat miedolla hankaavalla aineella tahrojen poistamiseksi.
Lokeroon on jäänyt pesuainetta.	Keittiövälineet tukkivat pesuainelokeron	Järjestele astiat uudelleen.
Astiat eivät ole kuivia	Keittiövälineiden virheellinen järjestely	Käytä käsineitä, jos astioissa on pesuainejälkiä ihoärsytyksen välttämiseksi.
	Astiat on poistettu koneesta liian aikaisin	Älä tyhjennä astianpesukonetta heti pesujakson jälkeen. Avaa ovi raolleen, jotta höyry haihtuu pois koneesta. Odota, että astianpesukoneen sisälämpötila laskee riittävästi ennen kuin tyhjennät koneen. Tyhjennä ensin alakori, jotta yläkorista ei valu vettä alakoriin.

Ongelma	Mahdolliset syyt	Mitä tehdä?
Astiat eivät ole kuivia	Valittu ohjelma ei sovi astioille.	Lyhyen ohjelman pesulämpötila on matalampi, mikä heikentää pesutehokkuutta. Valitse pidempi ohjelma.
	Aterinten pinnoitus on huonoa laatua.	Vesi valuu heikommin huonolaatuiselta pinnalta. Tämän tyyppiset aterimet tai astiat eivät sovellu konepesuun.

VAROITUS

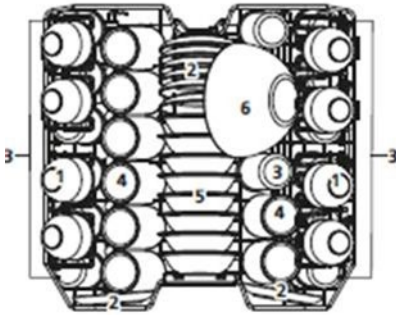
Itse tehty, ei ammattilaisen suorittama korjaus, voi aiheuttaa vakavia turvallisuusriskejä laitteen käyttäjälle ja voi vaikuttaa takuun täytäntöönpanoon.

KORIEN TÄYTTÖ

EN60436-NORMIN MUKAISESTI:

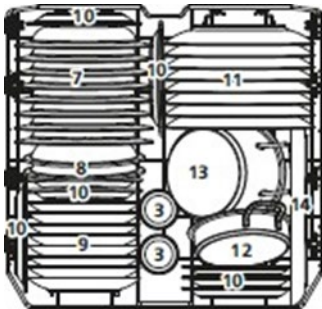
Astianpesukoneen täyteen täyttämällä on positiivinen vaikutus energian- ja vedenkulutukseen.

1. Yläkori:



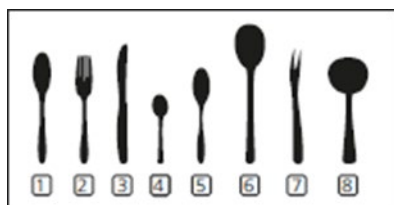
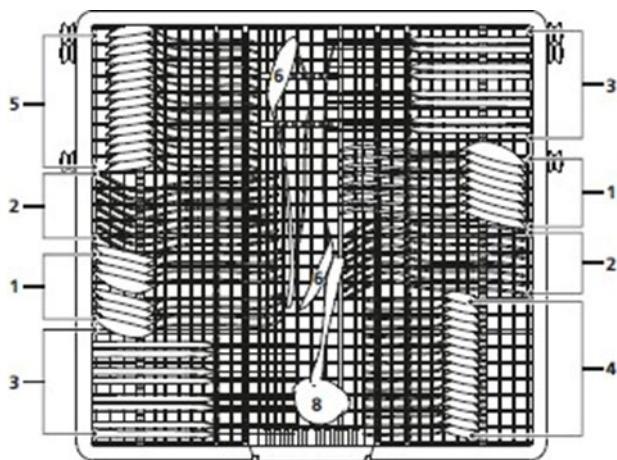
Numero	Astiatyyppi
1	Mukit
2	Aluslautaset
3	Lasit
4	Suuret mukit
5	Jälkiruokakulhot
6	Lasikulhot

2. Alakori:



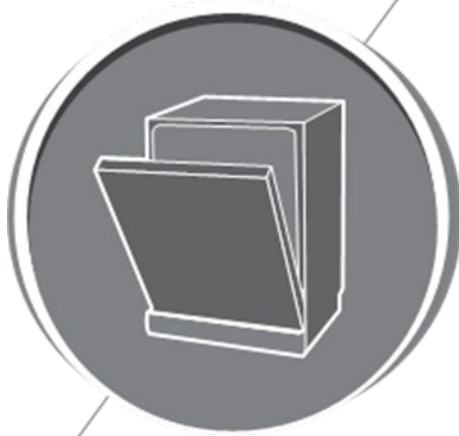
Numero	Astiatyyppi
7	Syvät lautaset
8	Melamiinikulhot
9	Jälkiruokalautaset
10	Melamiiniset jälkiruokalautaset
11	Matalat lautaset
12	Pienet kattilat
13	Uunivuoka
14	Ovaalit astiat

3. Aterinlaatikko:



EN60436-normin mukaisten
vertailutestien tiedot Tilavuus: 16
astiasia
Yläkorin asento: matala Ohjelma: EKO
Huuhteluaineen säätö: Pehmentimen
enimmäissäätö: H3

Numero	Astiatyyppi
1	Ruokalusikat
2	Haarukat
3	Veitset
4	Teelusikat
5	Jälkiruokalusikat
6	Tarjoilulusikat
7	Tarjoiluhaarukat
8	Kauhat



Astianpesukone

Käyttöopas

OSA II: Erityisohjeet

DCJ632DQX



Lue tämä käyttöopas huolellisesti ennen astianpesukoneen käyttöä. Säilytä se myöhempää tarvetta varten.

SISÄLLYSLUETTELO

01	4	ASTIANPESUKONEEN KÄYTTÖ
	4	Ohjauspaneeli
	6	Vedenpehmennin
	9	Astianpesukoneen valmistelu ja täyttö
	12	Huuhteluaineen ja pesuaineen toiminto
	13	Huuhteluainelokeron täyttö
	14	Pesuainelokeron täyttö
02	15	OHJELMAN VALINTA
	15	Ohjelmataulukko
	16	Energiansäästö
	16	Ohjelman käynnistys
	17	Miten ohjelma vaihdetaan pesujakson aikana
	18	Astian unohtaminen
	18	Automaattinen aukaisu
03	19	VIRHEKOODIT
04	20	TEKNISET TIEDOT

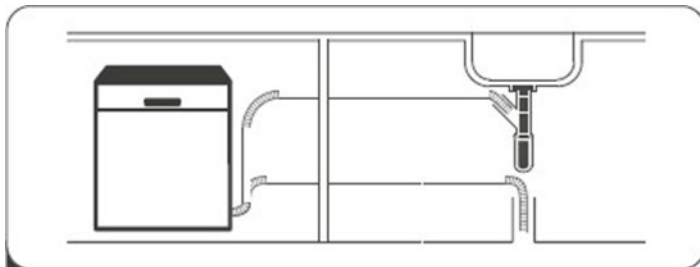


HUOMIO:

- Jos et kykene ratkaisemaan ongelmaa itse, ota yhteys ammattimaiseen huoltohenkilöön.
- Tuotteen jatkuvien kehitys- ja päivityskäytäntöjen mukaisesti valmistaja voi muokata tuotetta ilman ennakoilmoitusta.

KÄYTTÖÖNOTTO-OPAS

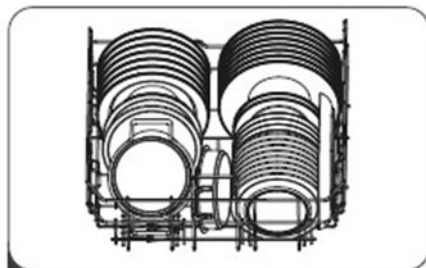
Löydät lisätietoja laitteen toiminnasta käyttöoppaan vastaavasta kappaleesta.



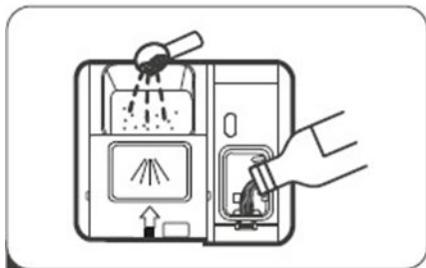
- 1** Asenna astianpesukone
(Katso osio 5 « ASENNUSOHJEET », OSA I: Yleiset ohjeet)



- 2** Tarkista, että kone on
vaakasuorassa etu-taka-akselilla



- 3** Täytä korit.



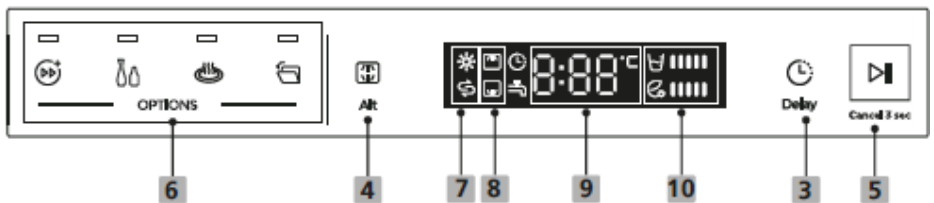
- 4** Täytä pesuaine- ja
huuhteluainelokerot.



- 5** Valitse sopiva ohjelma ja käynnistä
astianpesukone.

ASTIANPESUKONEEN KÄYTTÖ

Ohjauspaneeli



Toiminto (painike)

1 Virtakatkaisin

Kytke astianpesukone päälle painamalla tätä painiketta. Näyttö syttyy.

2 Ohjelma

ICS+

ICS+

Tätä ohjelmaa valvoo anturit, ja se mukautuu likaisuustasoon. Se sopii kaikenlaisille astioille.

H+











Hygienia 72°

Tämä ohjelma sopii kaikille astiatyypeille ja likaisuusasteille. Se tarjoaa korkeimman pesulämpötilan astioiden desinfiointiin.









+

Hiljainen




Tämä ohjelma sopii normaalisti likaisille laseille ja astioille. Se toimii hiljaisemmin, ja sitä voi käyttää iltaisin tai öisin.

<p>2 Ohjelma</p>	<p>ECO EKO Tämä perusohjelma sopii normaalisti likaisille astioille. Tämä ohjelma on tehokkaampi veden- ja energiankulutukseltaan.</p> <p> 90 min Astioille, jotka ovat normaalisti likaisia ja tarvitsevat nopean pesun ja kuivauksen.</p> <p> Pesu ja kuivaus 55 min Astioille, jotka ovat normaalisti likaisia ja tarvitsevat nopean pesun ja kuivauksen.</p> <p> Pikapesu 35 min Tämä ohjelma tarjoaa lyhyemmän pesun hieman likaisille astioille, jotka eivät tarvitse kuivausta.</p> <p> Esipesu Huuhteluohjelma, joka irrottaa likahiukkaset astioista myöhempää pesua varten.</p> <p> Automaattinen puhdistus Ohjelma puhdistaa tyhjän astianpesukoneen tehokkaasti.</p>
<p>3 Ohjelmoitu käynnistys</p>	<p>Ohjelmoi ohjelman käynnistysaika enintään 24 tuntia myöhemmäksi (1 tunnin välein) painamalla painiketta. Kun ohjelma on käynnissä, merkkivalo () syttyy.</p>
<p>4 Alt</p>	<p>Paina painiketta valitaksesi vain yläkorin tai alakorin tai molempien korien pesun. Merkkivalot ( ) sytyvät.</p>
<p>5 Käynnistys/keskeytys</p>	<p>Käynnistä valittu pesu tai keskeytä se painamalla tätä painiketta.</p>
<p>6 Vaihtoehto</p>	<p> Turbo nopeus+ Tällä vaihtoehdolla toiminta-aika vähenee 15–50 % riippuen lämpötilan nostamisesta ja moottorin pyörimisnopeudesta. Tätä vaihtoehtoa ei voida valita samaan aikaan kuin automaattista, Pikapesu 35 min ja Esipesuohjelmaa. Jos se yhdistetään automaattiseen aukaisuun, automaattista pesua ei voida enää ottaa käyttöön.</p> <p> Pesusuihku Tällä vaihtoehdolla voidaan puhdistaa yläkoriin asetetut pullo. Tätä vaihtoehtoa ei voida valita samaan aikaan kuin automaattista, Pesu ja kuivaus 55 min, esipesu- ja automaattista puhdistusohjelmaa.</p>

Näyttö

<p>6 Vaihtoehto</p>	<p> Lisäkuivaus Tämä vaihtoehto nostaa viimeisen huuhtelun lämpötilaa ja pidentää kuivausaikaa kuivaustehon lisäämiseksi. Tätä vaihtoehtoa ei voida valita samaan aikaan kuin ohjelmia EKO, Hygieniä 72°, Hiljainen ja 90 min</p> <p> Automaattinen aukaisu Astianpesukoneen ovi aukeaa automaattisesti ohjelman lopussa parantaen kuivaustulosta. Automaattinen aukaisu aktivoidaan tehtaassa. Jos tämä toiminto poistetaan käytöstä, valinta pysyy käytössä, vaikka astianpesukone on sammutettu. Tätä vaihtoehtoa ei voida valita samaan aikaan kuin Pikapesu 35 min, esipesu- ja automaattista puhdistusohjelmaa.</p>
<p>7 Hälytysvalot</p>	<p> Huuhteluaine Jos merkkivalo « ❄ » palaa, se tarkoittaa että astianpesukoneen huuhteluaineen taso on alhainen, ja huuhteluainetta on lisättävä.</p> <p> Suola Jos merkkivalo « 🧂 » palaa, se tarkoittaa että astianpesukoneen suolan taso on alhainen, ja suolaa on lisättävä.</p> <p> Vesihana Jos merkkivalo « 🚰 » palaa, se tarkoittaa että vesihana on kiinni.</p>
<p>Muut merkkivalot</p>	<p> Pesee vain yläkorin Kun valitset "Yläkorin", vain yläkorin astiat pestään. Alakorin kastelujärjestelmä ei toimi.</p> <p> Pesee vain alakorin Kun valitset "Alakorin", vain alakorin astiat pestään. Yläkorin kastelujärjestelmä ei toimi.</p> <p> Pesee samaan aikaan alakorin ja yläkorin Kun valitset molemmat, sekä alakorin että yläkorin astiat pestään. Yläkorin tai alakorin kastelujärjestelmä toimii vuorotellen tai samaan aikaan.</p>

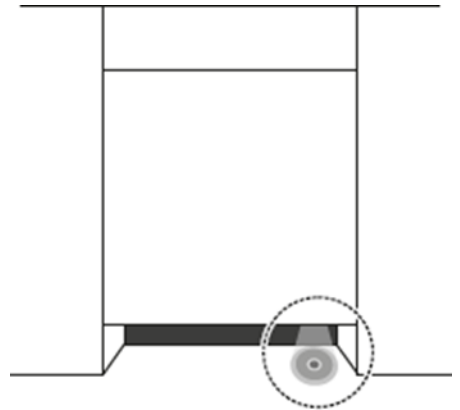
Näyttö

9 Näyttöoruutu	 <p>Näyttää ohjelman jäljellä olevan keston, pesulämpötilan, ohjelmoidun käynnistyksen keston, virhekoodit jne.</p>
Kulutuksen ilmaisain	 <p>Vedenkulutuksen taso Vedenkulutuksen ilmaisain näyttää valitun ohjelman vedenkulutustason. Mitä enemmän näytössä on palkkeja, sitä suurempi on vedenkulutus.</p>
Kulutuksen ilmaisain	 <p>Energiankulutus Energiankulutuksen ilmaisain näyttää valitun ohjelman energiankulutustason. Mitä enemmän näytössä on palkkeja, sitä suurempi on energiankulutus.</p>

HUOMIO:

Merkkivalon toiminta

Merkkivalo syttyy pesuohjelman aikana, vilkkuu 5 minuuttia ja sammuu ohjelman lopussa.



Vedenpehmentin

Vedenpehmentin on säädettävä manuaalisesti veden kovuuden valintapyörän avulla.

Vedenpehmentimen tarkoituksena on poistaa vedestä mineraalit ja suolat, jotka voivat vaikuttaa haitallisesti laitteen toimintaan.

Mitä enemmän mineraaleja, sitä kovempi on vesi. Jos astianpesukonetta käytetään kovalla vedellä, astioihin muodostuu tahroja.

Pehmentin on säädettävä alueesi veden kovuuden mukaan. Ota yhteys paikalliseen vesihuoltolaitokseen ja pyydä tietoja alueesi veden kovuudesta.



HUOMIO:

Jos astianpesukoneessasi ei ole vedenpehmentintä, voit hypätä tämän osion yli.

Suolan kulutuksen säätö

Tämä astianpesukone on valmistettu niin, että kulutetun suolan määrää voidaan säätää käytetyn veden kovuuden mukaan. Tämän toiminnon tarkoituksena on optimoida ja personoida suolan kulutustaso.

Astianpesukone on säädettävä alueesi veden kovuuden mukaan. Sillä on vaikutus vedenpehmentimen säätöön.

Säädä vedenpehmentin seuraavien ohjeiden mukaan:

1. Avaa ovi ja kytke laite päälle.
2. 60 sekunnin kuluessa laitteen käynnistämistä paina Automaattinen puhdistus -painiketta yli 5 sekunnin ajan siirtyäksesi vedenpehmentimen säätötilaan.
3. Paina uudelleen Automaattinen puhdistus -painiketta valitaksesi alueesi veden kovuuteen sopivan säädön. Asetukset vaihtuvat seuraavassa järjestyksessä: H1->H2->H3->H4->H5->H6 ;
4. Tallenna säätö ja poistu säätötilasta painamalla virtakatkaisinta.

VEDEN KOVUUS				Vedenpehmentimen taso	Puhdistus tapahtuu ohjelman joka X jaksolla ¹⁾	Suolan kulutus (grammaa/jakso)
°dH (Saksa)	°fH (Ranska)	°Clarke (Iso-Britannia)	mmol/l			
0–5	0–9	0–6	0–0,94	H1	Ei puhdistusta	0
6–11	10–20	7–14	1,0–2,0	H2	10	9
12–17	21–30	15–21	2,1–3,0	H3	5	12
18–22	31–40	22–28	3,1–4,0	H4	3	20
23–34	41–60	29–42	4,1–6,0	H5	2	30
35–55	61–98	43–69	6,1–9,8	H6	1	60

Tehdassäätö on H3.

- 1) Jokainen puhdistustoimintoa käyttävä jakso kuluttaa 3 litraa enemmän vettä, energiankulutus kasvaa 0,02 kWh, ja ohjelma on 4 minuuttia pidempi.



Katso osio 3 « Suolan lisääminen vedenpehmentimeen », OSA I: Yleiset ohjeet, jos astianpesukoneessa ei ole tarpeeksi suolaa.

Astianpesukoneen valmistelu ja täyttö

- Muista ostaa konepesun kestäviä astioita ja keittiövälineitä.
- Valitse herkille esineille ohjelma, joka toimii mahdollisimman alhaisella lämpötilalla.
- Älä poista laseja ja aterimia astianpesukoneesta heti ohjelman loputtua niiden vahingoittumisen välttämiseksi.

Tämä astianpesukone on suunniteltu yleisten keittiövälineiden ja astioiden pesemiseen ja kuivaamiseen. Kaikki esineitä ei voida kuitenkaan pestä astianpesukoneessa.

Seuraavat esineet eivät kestä konepesua, ja ne voivat vahingoittua pesun aikana:

- Puu-, posliini- tai helmiäisaterimet.
- Muoviset esineet, jotka eivät kestä lämpöä.
- Vanhat aterimet, joiden liimatut osat eivät kestä lämpöä.
- Liimaa sisältävät aterimet tai astiat.
- Tina- tai kupariesineet.
- Kristallilasit.
- Ruostuvat teräsesineet.
- Puuastiat.
- Synteettisestä kuidusta valmistetut esineet.

Ota huomioon seuraavat seikat:

- Tietyntyypiset lasit voivat samentua useamman pesukerran jälkeen.
- Hopeiset ja alumiiniesineet voivat haalistua ja menettää värinsä pesussa.
- Lakatut kuvat voivat samentua, jos niitä pestään usein astianpesukoneessa.

Astianpesukoneen täyttösuositukset

Poista isommat ruoan tähteet astioista ja aterimista. Pehmennä kattiloihin, paistinpannuihin ja patoihin palaneet ruoan tähteet vedessä. Astioita ja lautasia ei tarvitse huuhdella etukäteen.

Varmista astianpesukoneen optimaalinen suorituskyky noudattamalla seuraavia sääntöjä.

(Korien ja aterinkorin toiminnot ja ulkomuoto voivat vaihdella mallikohtaisesti.)

- Käännä esineet, kuten kupit, lasit, kattilat, paistinpannut jne. väärinpäin.
- Kaarevat ja vahvistuksilla varustetut esineet on asetettava kallelleen niin, että vesi pääsee valumaan niistä pois.
- Kaikki esineet on asetettava tukevasti niin, että ne eivät kaadu.
- Kaikki esineet on asetettava niin, että kasteluvarret voivat liikkua vapaasti pesun aikana. Tarkista kasteluvarsien vapaa pyöriminen ennen ohjelman käynnistämistä.
- Älä pinoo astioita ja aterimia toistensa päälle äläkä peitä niitä muilla astioilla.
- Tarkista, että aterimet eivät ole päällekkäin tai limittäin, jotta vesi pääsee kunnolla kaikille alueille.
- Yläkori on tarkoitettu herkemille ja kevyemmille astioille, kuten lasseille ja mukeille.
- Pitkäteräiset tai terävät veitset voivat olla vaarallisia, jos ne asetetaan kärki ylöspäin.
- Pitkät ja terävät aterimet, kuten leikkuuveitset, on asetettava vaakatasoon yläkoriin.
- Älä täytä astianpesukonetta liikaa. Näin varmistat hyvät pesutulokset ja optimoit energiankulutusta.



HUOMIO:

Vältä erittäin pienten esineiden pesemistä astianpesukoneessa, sillä ne voivat tippua helposti koreista.

Astioiden tyhjennys

Välttääksesi yläkorissa olevan veden valumisen alakoriin suosittelemme, että tyhjennät ensin alakorin.

VAROITUS



Astiat voivat olla erittäin kuumia! Kaikenlaisten vahinkojen välttämiseksi anna lasien ja herkkien astioiden jäähtyä astianpesukoneen koreissa ennen kuin nostat ne pois.

Yläkorin täyttö

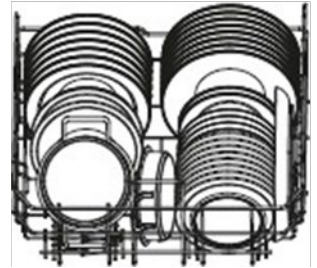
Yläkori on tarkoitettu herkemille ja kevyemmille esineille, kuten lasit, mikit, aluslautaset, lautaset, pienet kulhot ja matalat kattilat ja paistinpannut.

Aseta astiat ja välineet niin, että vesisuihku ei voi siirtää niitä.



Alakorin täyttö

Suosittelomme asettamaan alakoriin suurimmat ja likaisimmat esineet: kattilat, paistinpannut, kannet, tarjoiluastiat ja kulhot) alla olevan kuvan osoittamalla tavalla. On suositeltavaa asettaa tarjoiluastiat ja kannet korin sivuille, jotta ne eivät estä ylemmän kasteluvarren liikkumista.



Aterinlaatikon täyttö

Aterimet on asetettava aterinlaatikkoon erilleen toisistaan ja asianmukaisesti asetettuina. Vältä pinoamista aterimia päällekkäin, sillä se heikentää pesutasoa.



Optimaalisen puhdistus- ja kuivaustuloksen takaamiseksi lue perustäyttövaihtoehdot kohdasta OSA I (viimeinen osio): Yleiset ohjeet

Pesuaineen ja huuhteluaineen toiminto

Huuhteluaineen toiminto

Pesuaineen kemialliset ainesosat ovat välttämättömiä astianpesukoneen lian poistamiseen, hajottamiseen ja evakuoimiseen. Suurin osa kaupallisesti saatavissa olevista pesuaineista sopivat tähän tarkoitukseen.

⚠ VAROITUS

- Käytä vain astianpesukoneelle tarkoitettua pesuainetta. Pesuaine on säilytettävä aina kuivana ja tuoreena.
- Älä täytä pesuainelokeroa ennen kuin olet valmis käynnistämään astianpesukoneen.



**Astianpesukoneen pesuaineet ovat korrosiivisia!
Säilytä astianpesukoneiden pesuaineet kaukana lasten ulottuvilta.**

Huuhteluaineen toiminto

Huuhteluaine vapautuu lopullisen huuhtelujakson aikana, jotta vesi ei muodosta tippoja ja tahroja astioihin. Se parantaa myös kuivausta, koska vesi valuu pois astioista. Astianpesukoneesi on suunniteltu käytettäväksi nestemäisen huuhteluaineen kanssa.

⚠ VAROITUS

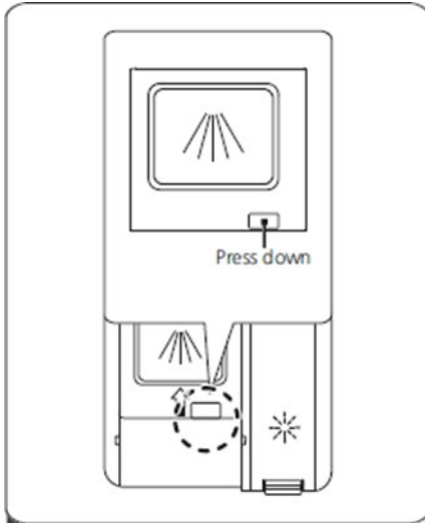
Älä koskaan kaada muita aineita huuhteluainelokeroon (esim. astianpesukoneen puhdistusaineita, nestemäistä pesuainetta). Se voi vahingoittaa laitetta.

Milloin huuhteluainetta tulee lisätä?

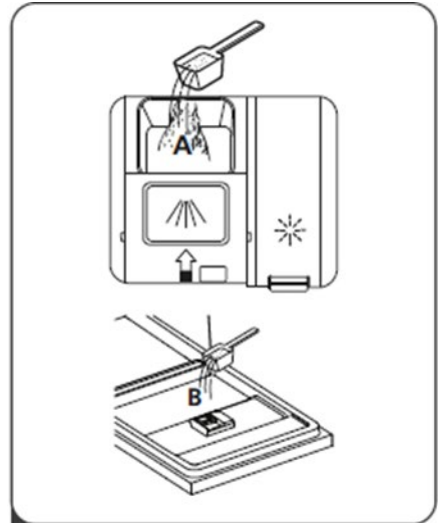
Suurin osa ohjelmista käyttää huuhteluainetta lopullisessa huuhteluvaiheessa. Huuhteluaineen säädön ja käyttöiheyden mukaan lokero on ehkä syytä täyttää.

Huuhteluaineen heikon tason merkkivalo (✳) syttyy, kun lokero on täytettävä. Älä täytä huuhteluainelokeroa liian täyteen.

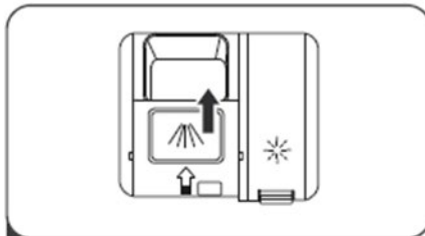
Pesuainelokeron täyttö



1 Avaa kansi painamalla aukaisusalpaa.



2 Lisää pesuainetta lokeroon (A) pääpesuvaihetta varten. Optimaalisen puhdistustehon takaamiseksi, ja etenkin jos astiat ovat erittäin likaisia, kaada hieman pesuainetta oveen (B). Lisäpesuaine otetaan käyttöön esipesun aikana.



3 Sulje lokeron kansi liu'uttamalla sitä alas, kunnes se lukittuu.

HUOMIO:

- Noudata pesuainepakkauksessa olevia valmistajan suosituksia.

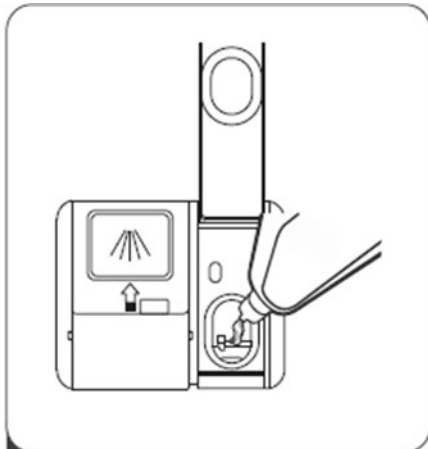
Huuhteluainelokeron täyttö



- 1** Avaa huuhteluainelokeron kansi nostamalla kahvaa.



- 3** Sulje kansi kunnolla täytön jälkeen.



- 2** Kaada huuhteluaine hitaasti lokeroon täyttämättä sitä liikaa. Kaikki koneeseen valunut huuhteluaine on pyyhittävä pois liinalla.

Huuhteluaineen säätö

Lopullisen huuhtelujakson aikana käytettävä huuhteluainemäärä voidaan säätää seuraavasti:

1. Avaa ovi ja kytke laite päälle.
2. 60 sekunnin kuluessa laitteen käynnistämisestä paina Automaattinen puhdistus -painiketta yli 5 sekunnin ajan ja sitten Ohjelmoitu käynnistys -painiketta siirtyäksesi huuhteluaineen säätötilaan. Huuhteluaineen merkkivalo alkaa vilkkua.
3. Paina uudelleen Automaattinen puhdistus -painiketta valitaksesi käyttöösi sopivan säädön.

Asetukset vaihtuvat seuraavassa järjestyksessä: D1->D2->D3->D4->D5->D1.

Mitä korkeampi luku, sitä enemmän astianpesukone käyttää huuhteluainetta.

Tehdassäätö on D3.




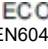


4. Kun olet tehnyt haluamasi säädön, odota 5 sekuntia tai paina virtakatkaisinpainiketta tallentaaksesi valitun asetuksen ja poistuaksesi säätötilasta.




OHJELMAN VALINTA

Ohjelmataulukko

Taulukko sisältää erilaisia ohjelmiin liittyviä tietoja.

Ohjelman kesto ja kulutusarvot ovat viitteellisiä, paitsi EKO-ohjelmalle. (●) merkitsee, että ohjelma käyttää huuhteluainetta viimeisessä huuhteluvaiheessa.

Ohjelma	Jakson kuvaus	Esipesuaine/pää pesuaine	Kypsennyksen (min)	Energiankulutus (kWh)	Vesi (l)	Huuhteluaine
 ICS+	Esipesu (45 °C) Pesu (55-65 °C) Huuhtelu Huuhtelu (50-60 °C) Kuivaus	<u>5/19 g</u> (1 tai 2 tablettia)	102-175	0,930-1,470	10,3-16,9	●
 Hygieniä 72°	Esipesu Pesu (72 °C) Huuhtelu Huuhtelu (72 °C) Kuivaus	<u>5/19 g</u> (1 tai 2 tablettia)	225	1,925	16,7	●
 Hiljainen	Esipesu Pesu (60 °C) Huuhtelu Huuhtelu Huuhtelu (50 °C) Kuivaus	<u>5/19 g</u> (1 tai 2 tablettia)	230	1,330	16,7	●
 (*EN60436)	Pesu (50 °C) Huuhtelu Huuhtelu (45 °C) Kuivaus	<u>24 g</u> (1 tai 2 tablettia)	205	0,769	9,5	●
 90 min	Esipesu Pesu () Huuhtelu Huuhtelu (50) Kuivaus	<u>5/19 g</u> (1 tai 2 tablettia)	90	0,940	13,6	●
 Pesu ja kuivaus 55 min	Pesu (60 °C) Huuhtelu Huuhtelu (50 °C) Kuivaus	<u>24 g</u> (1 tabletti)	55	0,795	11,3	●

Ohjelma	Jakson kuvaus	Esipesuaine/pää pesuaine	Kypsennyksen (min)	Energiankulutus (kWh)	Vesi (l)	Huuhteluaine
 Pikapesu 35 min	Pesu (55 °C) Huuhtelu Huuhtelu (45 °C)	18 g (1 tabletti)	35	0,690	11,3	
 Esipesu	Esipesu	/	14	0,120	3,9	
 Automaattinen puhdistus	Pesu (70 °C) Huuhtelu Huuhtelu (55 °C)	24 g (1 tabletti)	115	1,245	11,7	●

HUOMIO:

EKO: EKO-ohjelma sopii normaalisti likaisten astioiden puhdistukseen. Se on veden- ja energiankulutukseltaan tehokkain ohjelma, joten se on yhdenmukainen eurooppalaisen lainsäädännön ympäristömyötäisen tuotesuunnittelun standardien kanssa.

Automaattisen aukaisun toiminnon kesto

Vaihtoehto \ Ohjelma	Kesto (min)								
	ICS+	Hygienia 72°	Hiljainen	EKO	90 min	Pesu ja kuivaus 55 min	Pikapesu 35 min	Esipesu	Automaattinen puhdistus
Automaattisella aukaisulla	102-175	225	230	205	90	55	/	/	/
Ilman automaattista aukaisua	121-189	239	264	220	90	55	35	14	115

HUOMIO: Automaattista aukausvaihtoehtoa ei voida valita samaan aikaan kuin ohjelmia Pikapesu 35 min, esipesu ja automaattinen puhdistus.

Energiansäästö

1. Astioiden esihuuhtelu lisää veden- ja energiankulutusta eikä ole suositeltavaa.
2. Astioiden pesu kotitalouskäyttöön tarkoitetulla astianpesukoneella kuluttaa yleensä vähemmän vettä ja energiaa käyttövaiheessa kuin käsinpesu, kun astianpesukonetta käytetään ohjeiden mukaisesti.

Ohjelman käynnistys

1. Vedä ala- ja yläkorit itseesi päin, täytä ne astioillasi ja työnnä korit takaisin koneen sisään.
2. Lisää lokeroon pesuainetta.
3. Kytke laite päälle.
4. Varmista, että vedentulo on auki kunnolla, jotta vedenpaine on sopiva.
5. Avaa ovi ja paina virtakatkaisinta.
6. Valitse ohjelma ja paina Käynnistys-painiketta. Sulje ovi. Astianpesukone käynnistää ohjelman.

Miten ohjelma vaihdetaan pesujakson aikana

Ohjelma voidaan vaihtaa vain, jos se on ollut käytössä lyhyen aikaa, muussa tapauksessa pesuaine on jo otettu käyttöön tai pesuaineen sisältämä pesuvesi on jo tyhjennetty koneesta. Tässä tapauksessa sinun on alustettava astianpesukone uudelleen ja täytettävä pesuainelokero uudelleen. Tee se seuraavien ohjeiden mukaisesti:

1. Raota ovea keskeyttääksesi pesujakson. Kun kastelutarret ovat pysähtyneet kokonaan, voit avata oven kunnolla.
2. Paina virtakatkaisinpainiketta yli kolmen sekunnin ajan asettaaksesi astianpesukoneen ohjelman valintatilaan.
3. Voit vaihtaa ohjelmaa valitsemalla haluamasi jakson.
4. Paina virtakatkaisinpainiketta ja sulje ovi. Astianpesukone käynnistyy uudelleen.



Astian unohtaminen

Voit lisätä astioita milloin tahansa ennen pesuainelokeron avaamista. Tee se seuraavien ohjeiden mukaisesti:

1. Pysäytä pesu raottamalla ovea.
2. Kun kasteluvartet ovat pysähtyneet kokonaan, voit avata oven kunnolla.
3. Laita koneeseen unohtuneet astiat.
4. Sulje ovi.
5. Astianpesukone käynnistyy uudelleen.



VAROITUS



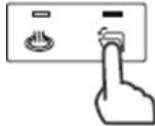
Oven avaaminen pesujakson aikana on vaarallista: koneesta tuleva kuuma höyry voi aiheuttaa palovammoja.

Automaattinen aukaisu

Ohjelman lopussa ovi aukeaa automaattisesti tarjoten paremman kuivauksen ja vähentäen energiankulutusta kuivausjakson aikana.

Ota Automaattinen aukaisu -vaihtoehto käyttöön tai poista se käytöstä

painamalla Automaattinen aukaisu -painiketta.



HUOMIO:

Astianpesukoneen ovea ei saa tukkia, kun se on säädetty aukeamaan automaattisesti. Se voi haitata lukon toimintaa.

VIRHEKOODIT

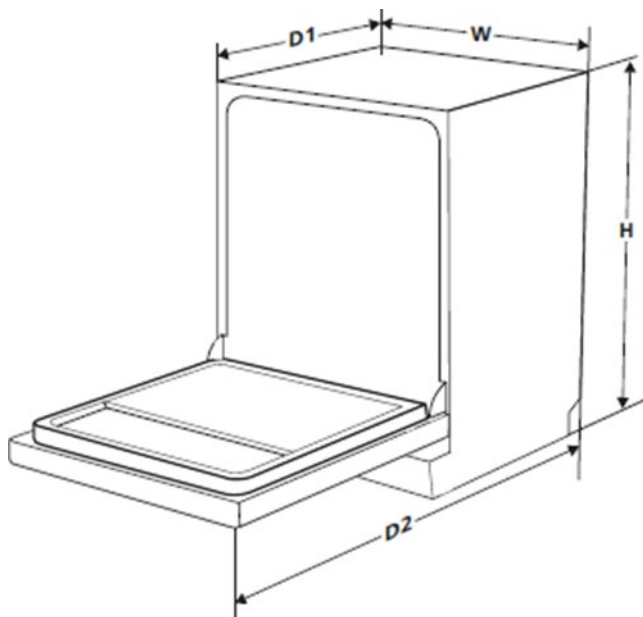
Toimintahäiriön sattuessa astianpesukoneessa näkyy virhekoodi. Seuraavassa taulukossa esitellään mahdolliset virhekoodit ja niiden syyt.

Koodi	Selitys	Mahdolliset syyt
E1	Vedentulo kestää liian pitkään	Hana on kiinni, vedentulo on jumissa tai vedenpaine on liian heikko
E3	Haluttua lämpötilaa ei saavutettu	Lämmityselementin toimintahäiriö
E4	Ylivuoto	Joku astianpesukoneen osista vuotaa
Ec	Pesunhallintajärjestelmän toimintahäiriö	Piirilevyn, tyhjennyspumpon tai moottorin toimintahäiriö
Ed	Kommunikoinnin toimintahäiriö elektronisen pääkortin ja elektronisen näyttökortin välillä	Kommunikoinnin avonainen piiri tai oikosulku

VAROITUS

- Vuodon sattuessa katkaise vedentulo ennen kuin otat yhteyden huoltohenkilöön.
- Jos astianpesukoneen pohjassa on vettä ylitäytön tai pienen vuodon vuoksi, poista vesi ennen astianpesukoneen uudelleen käynnistämistä.
- Jos virhekoodia ei voi ratkaista, pyydä apua ammattilaiselta.

TEKNISET TIEDOT



Korkeus (H)	857 mm
Leveys (W)	598 mm
Syvyys (D1)	550 mm (ovi kiinni)
Syvyys (D2)	1226 mm (ovi 90° auki)

PÄÄSY TIETOKANTAAN

Voit päästä katsomaan malliasi koskevia tietoja, jotka säilytetään tuotteiden tietokannassa EU:n asetuksen (UE) 2019/2017 mukaisesti ja liittyen energiamerkintäluokitukseen, menemällä sivustolle <https://eprel.ec.europa.eu/>. Hae laitteesi tietoja verkkosivustolla syöttämällä laitteen tyyppikilvessä oleva huoltoviite.

Toinen tapa päästä näihin tietoihin on skannata QR-koodi, joka löytyy laitteesi energiatehokkuusmerkintätarrasta.

Huolto- ja varaosapalvelu

• KORJAUSTOIMET

Laitteen mahdolliset korjaustoimet on annettava valmistajan valtuuttaman ammattihenkilön suoritettaviksi. Muista mainita puhelusi aikana laitteesi kaikki tiedot (malli, tyyppi, sarjanumero). Nämä tiedot löytyvät tuotteen tyyppikilvestä. Voit ottaa meihin yhteyttä soittamalla maanantaista perjantaihin klo 8–20 numeroon 06 69 39 34 34 (ilmainen palvelu + puhelun hinta).

• ALKUPERÄISET OSAT



Brandt France, Service
Consommateurs – **De Dietrich** –
5 avenue des Béthunes, BP 69526
St Ouen L'Aumône, 95060 Cergy
Pontoise Cedex, France

> tai soita meille numeroon:

De Dietrich 0892.02.88.04*

0,50 € (sis. kaikki verot)/min lankapuhelimesta

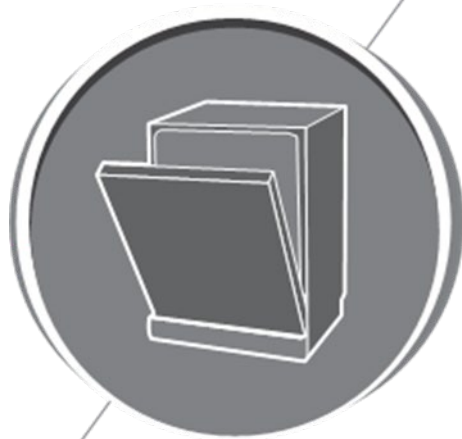
* Palvelun tarjoaa Brandt France, yksinkertaistettu osakeyhtiö, jonka pääoma on 1 000 000 €, 89/91 boulevard Franklin Roosevelt, 92500 Rueil-Malmaison, France – RCS Nanterre 801 250 531

Brandt France, yksinkertaistettu osakeyhtiö, jonka pääoma on 1 000 000 €, jonka pääkonttori sijaitsee osoitteessa 89/91 boulevard Franklin Roosevelt, 92500 Rueil-Malmaison, France, ja joka on rekisteröity Ranskan kauppa- ja yritysrekisteriin (RCS) Nanterren kaupungissa numerolla 801.250.531.

TIEDOKSI:

Euroopan unionin asetuksen 2019-2022-EU luetteloon kirjattujen varaosien, jotka ovat laitteen käyttäjän saatavilla, tarjoamisen minimiaika on 10 vuotta saman asetuksen suunniteltujen ehtojen mukaisesti.

De Dietrich 



Lavastoviglie

Manuale di istruzioni

PARTE I: Istruzioni generali

Leggere attentamente questo manuale di istruzioni prima di usare la lavastoviglie. Conservare questo manuale di istruzioni per ogni futuro riferimento.

SOMMARIO

01	3	ISTRUZIONI DI SICUREZZA
02	8	PRESENTAZIONE DELL'APPARECCHIO
03	9	USO DELLA LAVASTOVIGLIE
	9	Caricamento del sale nell'addolcitore
	11	Consigli per il riempimento dei cestelli
	13	Grande portautensili polivalente
04	14	MANUTENZIONE E PULIZIA
	14	Manutenzione esterna
	14	Manutenzione interna
	17	Manutenzione della lavastoviglie
	18	ISTRUZIONI PER L'INSTALLAZIONE
05	18	Informazioni sul collegamento elettrico
	19	Carico e scarico dell'acqua
	20	Raccordo del tubo di scarico
	21	Posizionamento dell'apparecchio
	21	Incasso (per il modello a incasso)
06	25	GUIDA PER LA RISOLUZIONE DEI PROBLEMI
	28	Disponibilità dei pezzi di ricambio
07	29	RIEMPIMENTO DEI CESTELLI



- Fare riferimento alla guida per le riparazioni, La assisterà nel gestire autonomamente i problemi più ricorrenti.
- Se non è in grado di risolvere autonomamente il problema, si rivolga all'assistenza di un tecnico qualificato.
- Conformemente alla sua politica di evoluzione e di aggiornamento costante dei prodotti, il fabbricante può apportare modifiche senza preavviso.

ISTRUZIONI DI SICUREZZA

AVVERTENZA

Osservare rigorosamente le precauzioni qui indicate durante l'uso della lavastoviglie:

- Solo un tecnico qualificato può procedere all'installazione e alla riparazione dell'apparecchio
- Questo elettrodomestico è destinato esclusivamente ad un uso domestico e applicazioni simili quali:
 - cucine nei negozi, uffici e altri ambienti di lavoro;
 - aziende agricole
 - alberghi, motel, agriturismi e altre strutture residenziali;
 - strutture di mezza pensione.
- I bambini di età pari o superiore a 8 anni e gli adulti con limitate capacità fisiche, sensoriali o mentali o con scarsa esperienza o conoscenza sull'uso dell'apparecchio sono autorizzati al suo uso solamente se sorvegliati da una persona competente o solamente se istruiti in merito all'uso dell'apparecchio se hanno compreso i rischi coinvolti.
- I bambini non devono giocare con l'apparecchio. I bambini non devono eseguire interventi di pulizia e manutenzione sull'apparecchio senza essere supervisionati. (Per EN 60335-1)

Questo apparecchio non è stato ideato per essere utilizzato da persone (ivi compresi i bambini) con capacità fisiche, sensoriali o mentali ridotte, oppure da persone prive di esperienza o che non hanno le conoscenze adeguate, salvo se hanno potuto usufruire, tramite una persona responsabile della loro

sicurezza, di una sorveglianza o di istruzioni preliminari sull'utilizzo dell'apparecchio.

- I materiali utilizzati per la confezione possono essere pericolosi per i bambini!
- Questo elettrodomestico è esclusivamente destinato ad un uso domestico.

Per evitare qualsiasi rischio di folgorazione, non immergere l'apparecchio, il cavo o la presa nell'acqua o in un altro liquido.

- Scollegare l'elettrodomestico prima di qualsiasi operazione di pulizia o di manutenzione sullo stesso.
- Se il cavo di alimentazione è danneggiato deve essere sostituito dal fabbricante, da un centro di assistenza autorizzato, da un tecnico qualificato o da una persona con una competenza simile, per evitare situazioni di pericolo.



Istruzioni per la messa a terra

- Questo apparecchio richiede la messa a terra. In caso di malfunzionamento o guasto, la messa a terra riduce il rischio di scossa elettrica, creando un percorso di resistenza minima per la corrente elettrica. Questo apparecchio è provvisto di una spina con contatto a terra.
- La spina di alimentazione deve essere inserita in una presa idonea e installata e messa a terra in conformità ai codici e normative locali.
- Un collegamento improprio del conduttore di terra può comportare rischi di scossa elettrica.
- In caso di dubbi in merito all'idoneità della messa a terra dell'apparecchio, rivolgersi ad un elettricista qualificato o ad un tecnico del servizio di riparazione.
- Non modificare la presa elettrica fornita con l'apparecchio se questa non corrisponde alla presa.

- Se la presa non è idonea per la presa di corrente, far predisporre una presa adeguata da un elettricista qualificato.
- Non usare in modo improprio, non sedersi e non appoggiarsi sulla porta o sui cestelli della lavastoviglie.
- Accendere la lavastoviglie soltanto se tutti i pannelli sono correttamente installati.
- Aprire la porta con molta cautela se la lavastoviglie è ancora in funzione, perché l'acqua potrebbe fuoriuscire.
- Non appoggiare oggetti pesanti e non appoggiarsi sulla porta quando è aperta. L'apparecchio potrebbe ribaltarsi in avanti.
- Nel caricare le stoviglie da lavare:
 - 1) Posizionare gli oggetti taglienti in modo che non possano danneggiare la guarnizione della porta;
 - 2) Avvertenza: i coltelli e gli altri utensili taglienti devono essere caricati nel cestello con le punte o lame verso il basso, oppure devono essere disposti orizzontalmente.
- Certi detersivi per lavastoviglie sono molto alcalini. Questi possono essere estremamente pericolosi in caso di ingestione. Evitare qualsiasi contatto con la pelle e con gli occhi e tenere a distanza i bambini dalla lavastoviglie quando la porta dell'apparecchio è aperta.
- Alla fine del ciclo di lavaggio, verificare che non vi siano più tracce di detersivo.
- Prima di disporre gli oggetti di plastica nella lavastoviglie, assicurarsi che siano contrassegnati come idonei per il lavaggio nella lavastoviglie o simile.
- Per gli utensili di plastica non provvisti di questa dicitura, seguire le raccomandazione del fabbricante.
- Usare solo detersivi e brillantanti idonei per le lavastoviglie automatiche.
- Non usare sapone, detersivi per bucato o detersivi per lavaggio a mano nella lavastoviglie.

- Richiudere la porta della lavastoviglie per evitare di inciamparvi.
- Durante l'installazione, evitare di piegare o schiacciare il cavo di alimentazione in modo eccessivo o pericoloso.
- Non modificare i comandi.
- L'apparecchio deve essere collegato alla valvola di alimentazione principale dell'acqua utilizzando flessibili nuovi. Evitare di utilizzare flessibili usati precedentemente.
- Al fine di risparmiare energia, in modalità stand-by l'apparecchio si spegne automaticamente se non viene realizzata alcuna operazione per 15 minuti.
- Questo prodotto ha una capacità massima di 16 posate.
- La pressione massima dell'acqua in ingresso deve essere tra 0,04 e 1 MPa.

Smaltimento

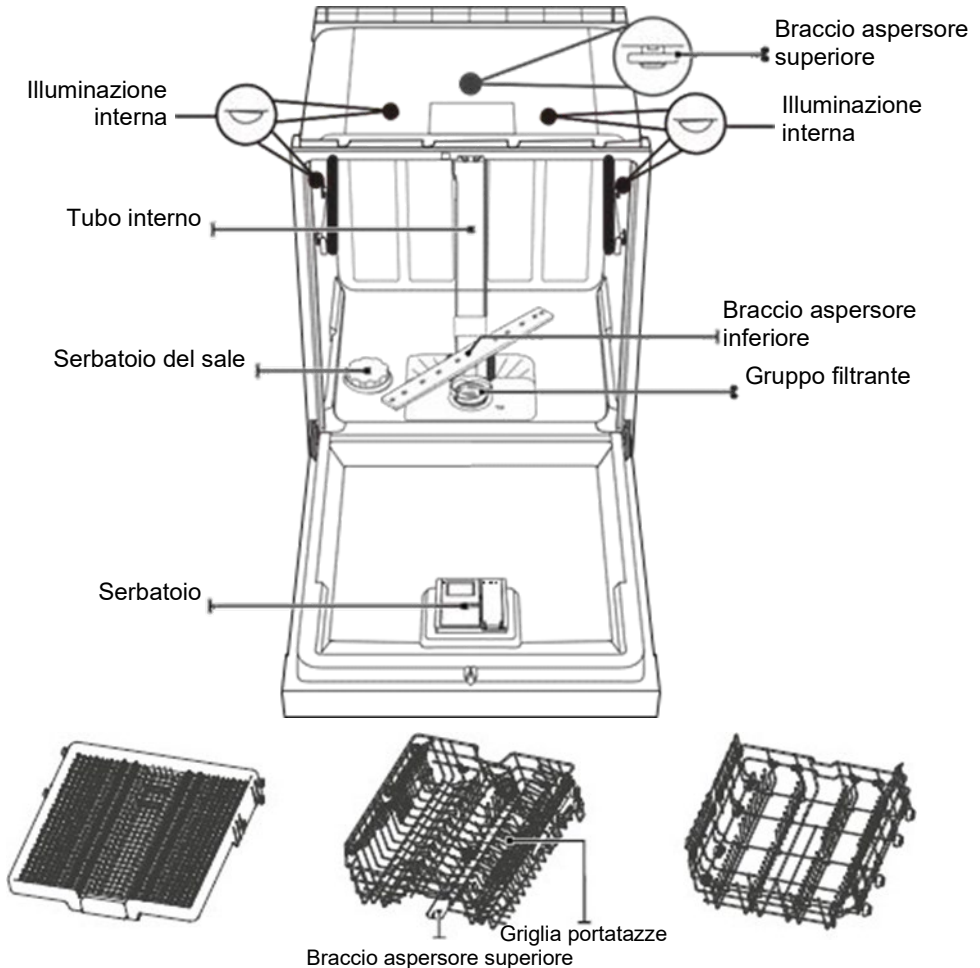
- Rendersi ad un punto di raccolta per il riciclaggio per smaltire l'apparecchio e la sua confezione.
Prima dello smaltimento, tagliare il cavo di alimentazione e rendere il sistema di chiusura della porta inutilizzabile.
- L'imballaggio di cartone è fabbricato con carta riciclabile e deve essere smaltito nel contenitore di raccolta rifiuti della carta per essere riciclato.
- Smaltendo questo apparecchio in modo corretto, si contribuirà a preservare l'ambiente e la nostra sicurezza assicurando che i rifiuti siano trattati in condizioni ottimali.
- Per ulteriori informazioni circa il riciclaggio di questo prodotto, rivolgersi alle autorità di zona responsabili per la raccolta differenziata o al punto di vendita locale dei rifiuti domestici.
- **SMALTIMENTO: Non smaltire questo apparecchio con i rifiuti municipali generici. Questo apparecchio richiede una raccolta separata e un trattamento speciale.**



PRESENTAZIONE DELL'APPARECCHIO

❶ IMPORTANTE:

Per ottimizzare il funzionamento della lavastoviglie, leggere le istruzioni per l'uso prima del primo utilizzo.

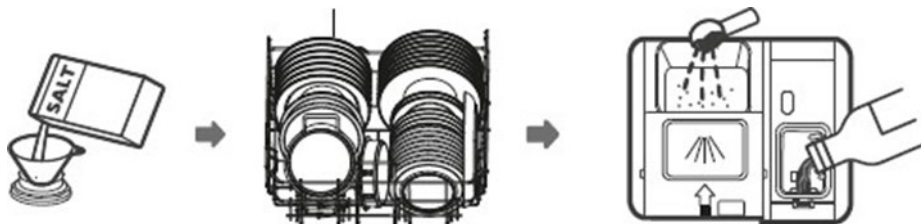


💡 NOTA:

Le illustrazioni sono fornite unicamente a titolo indicativo, i differenti modelli possono variare.

USO DELLA LAVASTOVIGLIE

Prima di usare la lavastoviglie:



1. Regolare l'addolcitore dell'acqua
2. Caricamento del sale nell'addolcitore
3. Riempire i cestelli
4. Riempire la vaschetta del detergente



Fare riferimento alla sezione 1 “Addolcitore dell'acqua” della PARTE II/Istruzioni specifiche per la regolazione dell'addolcitore dell'acqua.



NOTA:

Se il modello non è dotato di addolcitore dell'acqua, tralasciare questa sezione. Usare solo un sale specifico per lavastoviglie.

Il serbatoio del sale è situato nel cestello inferiore e deve essere riempito in base alla procedura seguente:

⚠ AVVERTENZA


- **Usare solo sale specifico per lavastoviglie!**
Qualsiasi altro tipo di sale non specifico per lavastoviglie, soprattutto il sale da tavola, danneggerebbe l'addolcitore dell'acqua. Se l'apparecchio è danneggiato in seguito all'uso di sale non adatto, il fabbricante non fornisce alcuna garanzia e non può essere ritenuto responsabile dei danni causati.
- **Introdurre il sale soltanto prima di un ciclo di lavaggio.**
In questo modo si eviterà che i grani di sale o l'acqua salina eventualmente fuoriusciti rimangano a lungo sul fondo dell'apparecchio e causino fenomeni di corrosione della superficie.

Per aggiungere il sale specifico per lavastoviglie, seguire questo procedimento:



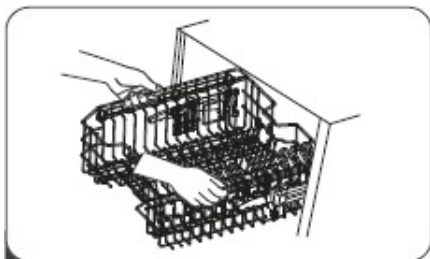
1. Rimuovere il cestello inferiore e svitare il coperchio del serbatoio.
 2. Posizionare la parte terminale dell'imbuto (se fornito) nel foro e versare circa 0,6 kg di sale per lavastoviglie.
 3. Riempire il serbatoio del sale con acqua fino a raggiungere il massimo livello. È normale che una piccola quantità di acqua fuoriesca dal serbatoio del sale.
 4. Dopo aver riempito il serbatoio, riavvitare il coperchio stringendo bene.
-
6. Subito dopo aver riempito il serbatoio del sale occorre avviare un programma di lavaggio (raccomandiamo un programma breve) per evitare che il sistema filtrante, la pompa o altri componenti importanti della lavastoviglie possano danneggiarsi a causa dell'acqua salata. I danni risultanti non sarebbero coperti dalla garanzia.

NOTA:

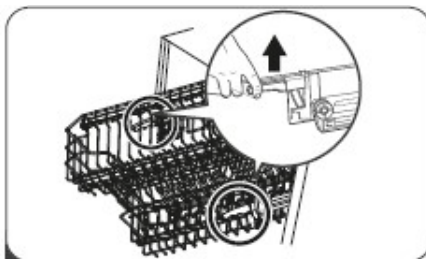
- Il serbatoio del sale deve essere riempito solo all'accensione dell'apposita spia () sul pannello comandi. In base alla velocità di scioglimento di sale, la spia potrebbe restare accesa anche dopo il riempimento del serbatoio. Se il pannello comandi non dispone di spia del sale (su alcuni modelli), è possibile determinare quando aggiungere il sale nell'addolcitore in funzione del numero di cicli effettuati dalla lavastoviglie.
- Se è stato versato del sale a lato del serbatoio, avviare un programma di ammollo o un programma di lavaggio rapido per rimuovere il sale.

Consigli per il riempimento dei cestelli

Caricamento del cestello superiore



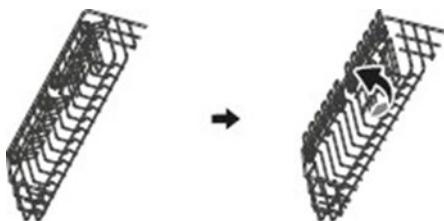
1 Per sollevare il cestello superiore, è sufficiente sollevare dal centro di ogni lato fino a quando questo non si blocca in posizione superiore. Non è necessario sollevare le impugnature di regolazione.



2 Per abbassare il cestello superiore, sollevare le impugnature di regolazione di ogni lato per liberare il cestello e metterlo in posizione inferiore.

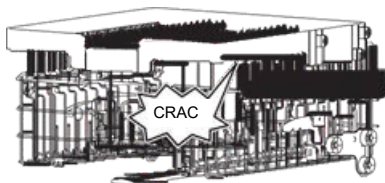
Ripiegamento della griglia poggiatezze

Per liberare spazio per gli elementi più grandi nel cestello superiore, ribaltare la griglia portatazze verso l'alto. È ora possibile appoggiare i bicchieri di grandi dimensioni sulla griglia. È anche possibile rimuoverla quando non serve.



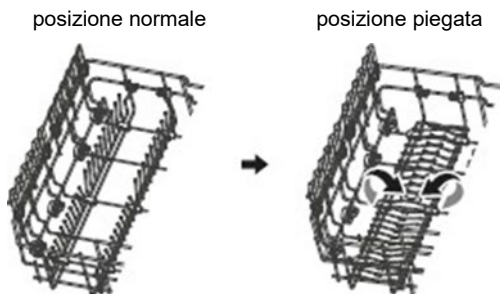
⚡ **NOTA:**

Quando il cestello superiore si blocca in posizione alta, diventa impossibile piegare la griglia portatazze.



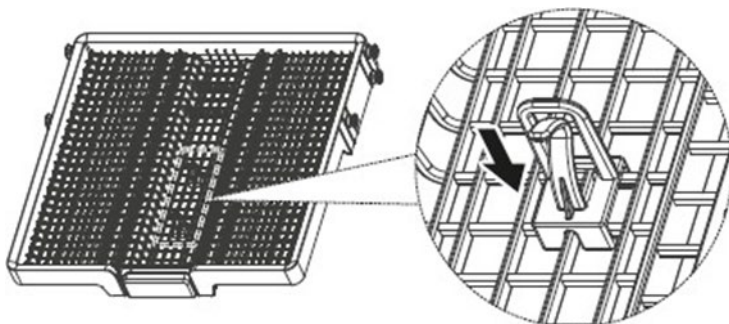
Piegare le rastrelliere

Le rastrelliere del cestello inferiore permettono di disporre i piatti e i vassoi. È possibile piegarle per liberare spazio per i piatti più grandi.

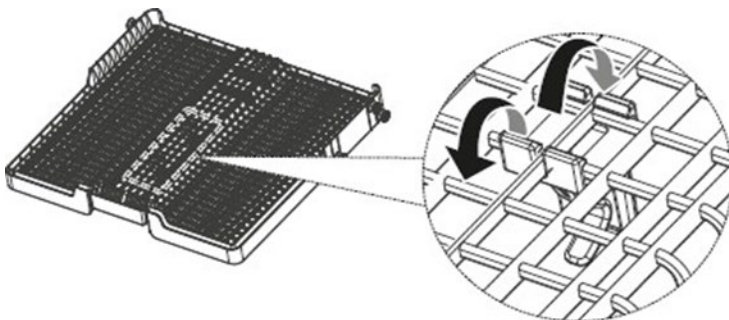


Porta-tettarelle

Il supporto viene fissato serrandolo nella posizione corrispondente come illustrato. Può essere usato per fissare piccoli elementi, come una tettarella.



Per rimuovere il supporto, passare sotto questo e allentare le linguette come illustrato.



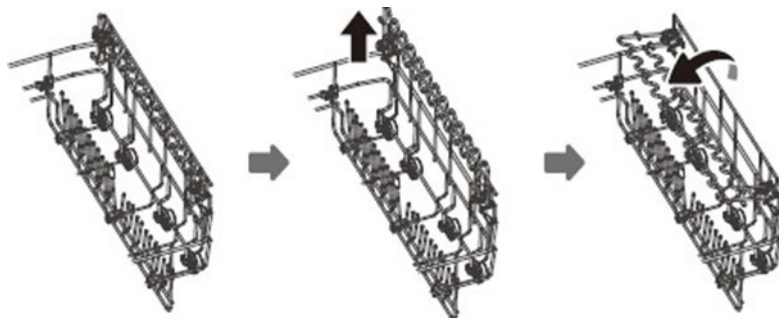
Grande portautensili polivalente

Questo offre uno spazio sicuro e flessibile riservato esclusivamente ai grandi utensili di cucina, come le teglie del forno e i taglieri. È adatto anche al caricamento di grandi bicchieri da vino.



Quando si desidera usarlo, tirare il supporto ed estrarlo.

È anche possibile rimuovere il supporto quando non serve. Questo non occupa ulteriore spazio quando è piegato.



MANUTENZIONE E PULIZIA

Manutenzione esterna

Porta e guarnizione della porta

Pulire regolarmente le guarnizioni della porta con un panno umido e non abrasivo per rimuovere i residui alimentari.

Quando si riempie la lavastoviglie, può succedere che i residui di cibo o i liquidi macchino i lati della porta dell'apparecchio. Queste superfici si trovano all'esterno della zona di lavaggio e sono fuori dalla portata dell'acqua erogata dai bracci aspersori. È opportuno asciugare gli eventuali depositi prima di chiudere la porta.

Pannello dei comandi

Per pulire il pannello comandi, asciugarlo solo con un panno umido e non abrasivo.

AVVERTENZA

- Per impedire la penetrazione dell'acqua nel meccanismo di chiusura della porta e nei componenti elettronici, non usare detergenti spray di alcun tipo.
- Non usare mai detergenti abrasivi o spugne abrasive sulle superfici esterne, in quanto vi è il rischio di rigare il rivestimento. Anche alcuni tipi di carta assorbente possono rigare la superficie o lasciare segni.

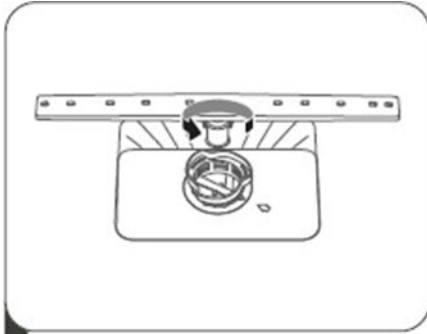
Manutenzione interna

Sistema filtrante

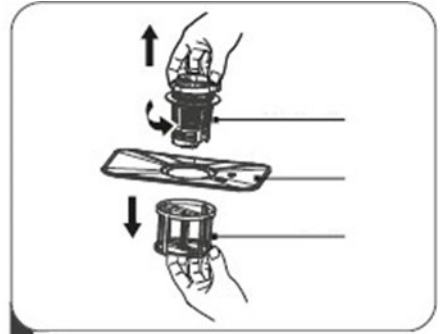
Il sistema filtrante situato nella parte inferiore dell'apparecchio trattiene i residui più grandi durante il ciclo di lavaggio, inclusi i corpi estranei come stuzzicadenti o frammenti. I residui raccolti possono bloccare i filtri. Controllare regolarmente (ogni mese) lo stato dei filtri. Rimuovere attentamente i corpi estranei e pulire se necessario le parti del sistema filtrante dell'acqua. Seguire la procedura qui sotto per pulire il filtro.

NOTA:

Le illustrazioni sono fornite unicamente a titolo indicativo, i differenti modelli di sistema filtrante e del braccio aspersore possono variare.



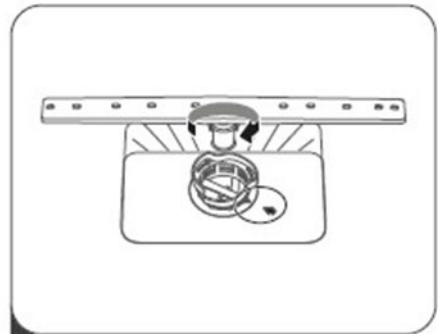
1 Tenere il filtro a maglia grossa e ruotarlo in senso antiorario per sbloccarlo. Sollevare il filtro, poi estrarlo della lavastoviglie.



2 È possibile rimuovere il filtro fine situato nella parte inferiore del dispositivo filtrante. Smontare il filtro a maglia grossa premendo delicatamente sulle linguette situate sulla parte anteriore e rimuovere il filtro.



3 Sciacquare il filtro sotto l'acqua del rubinetto per rimuovere i residui di cibo. Per una pulizia più efficace, usare una spazzola non abrasiva.



4 Rimontare i filtri seguendo le fasi di smontaggio in ordine inverso, sostituire il gruppo filtrante e ruotarlo in senso orario fino alla freccia di chiusura.

⚠ AVVERTENZA

- Non stringere eccessivamente i filtri. Rimontare i filtri in ordine avvitando bene per evitare che i residui di grandi dimensioni penetrino nel sistema e causino un blocco.
- Non usare mai la lavastoviglie senza i filtri. Una scorretta sostituzione del filtro può ridurre le prestazioni dell'apparecchio e danneggiare le vostre stoviglie.

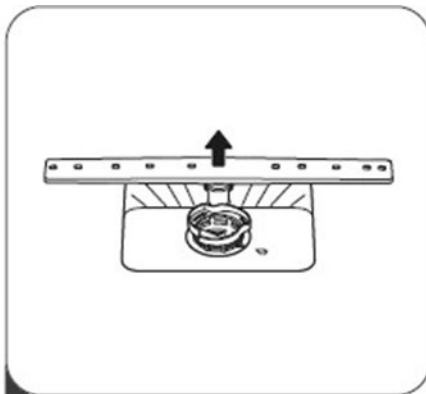
Braccio aspersore

È necessario pulire i bracci aspersori regolarmente per evitare che le sostanze presenti nell'acqua dura ostruiscano getti e cuscinetti dei bracci aspersori.

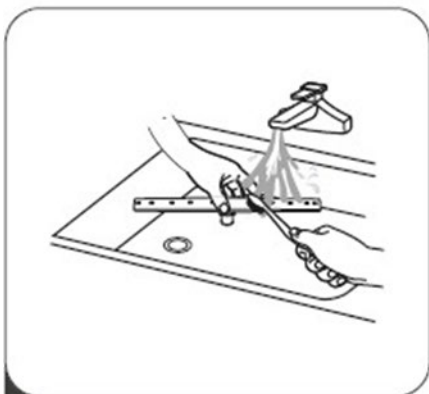
Per pulire i bracci aspersori, seguire queste istruzioni:



- 1** Per rimuovere il braccio aspersore superiore, tenere fermo il dado al centro e ruotare il braccio aspersore in senso orario per rimuoverlo.



- 2** Per rimuovere il braccio aspersore inferiore, estrarlo tirando verso l'alto.



- 3** Lavare i bracci in acqua tiepida e sapone e usare una spazzola morbida per pulire i getti. Risciacquare con cura e disporli nuovamente in sede.

Manutenzione della lavastoviglie

Precauzioni antigelo

In inverno, si consiglia di adottare le opportune misure per proteggere la lavastoviglie dal gelo. Dopo ogni ciclo di lavaggio, procedere come segue:

1. Scollegare la spina dalla presa di corrente per mettere la lavastoviglie fuori tensione.
2. Chiudere il rubinetto dell'acqua e staccare il tubo di carico dalla valvola dell'acqua.
3. Scaricare l'acqua del tubo di carico e dalla valvola dell'acqua. (Usare una bacinella per raccogliere l'acqua)
4. Ricollegare il tubo di carico alla valvola dell'acqua.
5. Rimuovere il filtro sul fondo della vasca e usare una spugna per assorbire l'acqua nel bacino di raccolta.

Dopo ogni lavaggio

Dopo ogni lavaggio, chiudere il rubinetto dell'acqua e lasciare la porta leggermente aperta per qualche istante per evitare che l'umidità e gli odori si trattengano all'interno.

Scollegare la spina.

Scollegare la spina della presa elettrica prima delle operazioni di pulizia o manutenzione.

Non usare solventi o detersivi abrasivi

Per pulire l'esterno e le parti in gomma della lavastoviglie, non usare solventi o detersivi abrasivi. Usare solo un panno impregnato di acqua tiepida saponata.

Per rimuovere le macchie dalle superfici interne, usare un panno inumidito con acqua e un po' di aceto oppure un prodotto detergente specifico per lavastoviglie.

Non utilizzo per periodi prolungati

Si consiglia di eseguire un ciclo di lavaggio senza carico e di staccare la spina dalla presa elettrica, chiudere il rubinetto dell'acqua e lasciare la porta dell'apparecchio leggermente aperta. In questo modo le guarnizioni delle porte dureranno più a lungo e si eviterà la formazione di odori all'interno dell'apparecchio.

Spostamento dell'apparecchio

Se l'apparecchio deve essere spostato, tenerlo possibilmente in posizione verticale. Se fosse assolutamente necessario, è possibile appoggiarlo sul lato posteriore.

Guarnizioni

I residui di cibo trattenuti nelle guarnizioni fanno parte dei fattori che causano la formazione di odori nella lavastoviglie. Per evitare questo inconveniente, pulire periodicamente le guarnizioni con una spugna umida.

ISTRUZIONI PER L'INSTALLAZIONE

⚠ AVVERTENZA



Rischio di elettrocuzione

Interrompere l'alimentazione elettrica prima d'installare la lavastoviglie.
Il mancato rispetto di queste istruzioni comporta un rischio di morte o di elettrocuzione.

⚠ Attenzione

Il collegamento dei tubi e dei dispositivi elettrici deve essere effettuato da professionisti.

Informazioni sul collegamento elettrico

⚠ AVVERTENZA

Per la propria sicurezza:

- Non usare cavi di prolunga o adattatori con questo apparecchio.
- Evitare, in qualunque circostanza, di tagliare o rimuovere il connettore di terra dal cavo di alimentazione.

Alimentazione elettrica

Collegamento elettrico

Verificare che la tensione e la frequenza dell'alimentazione corrispondano alla targhetta segnaletica. Inserire la spina solo se la presa elettrica è provvista di una messa a terra. Se la presa elettrica a cui si intende collegare l'apparecchio non è adatta alla spina, sostituire la presa piuttosto che utilizzare un adattatore per evitare fenomeni di surriscaldamento e bruciature.

⚠ **Prima dell'uso della lavastoviglie, verificare l'esistenza di una messa a terra appropriata**

Carico e scarico dell'acqua

Collegamento all'acqua fredda

Collegare il tubo di carico dell'acqua fredda a un attacco filettato da 3/4 (pollici) e controllare che sia ben stretto.

Se i tubi dell'acqua sono nuovi o sono rimasti inutilizzati per un periodo prolungato, far scorrere l'acqua per controllare che sia pulita. Questa precauzione è fondamentale per evitare il rischio che l'ingresso dell'acqua si blocchi e danneggi l'apparecchio.



Tubo di ingresso dell'acqua standard



Tubo di ingresso dell'acqua protetto

Informazioni sulla pulizia del tubo di ingresso dell'acqua protetto

Il tubo di ingresso dell'acqua protetto ha una doppia parete. Questo sistema interviene bloccando l'ingresso dell'acqua se il tubo è danneggiato o camera d'aria tra il tubo di ingresso dell'acqua e il flessibile esterno pieno d'acqua.

⚠ AVVERTENZA

Un tubo fissato a un rubinetto può esplodere se è installato sullo stesso ingresso dell'acqua della lavastoviglie. Se il lavello ne è dotato, raccomandiamo di smontare il tubo e di ostruire l'apertura.

Come collegare il tubo di ingresso dell'acqua protetto

1. Rimuovere il tubo di ingresso dell'acqua protetto dal vano di stoccaggio situato sulla parte posteriore della lavastoviglie.
2. Avvitare il tubo di ingresso dell'acqua protetto al rubinetto con un raccordo filettato 3/4.
3. Aprire completamente l'ingresso dell'acqua prima di riavviare la lavastoviglie.

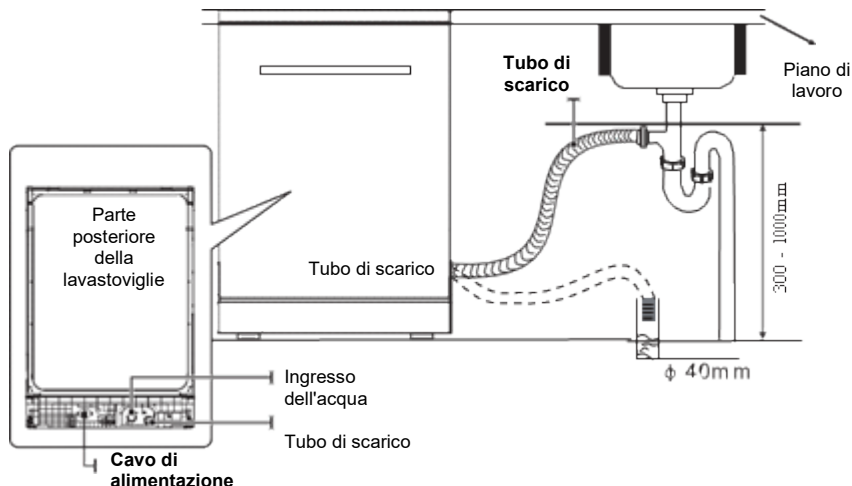
Come smontare il tubo di ingresso dell'acqua protetto

1. Interrompere l'acqua.
2. Svitare il tubo di ingresso dell'acqua protetto dal rubinetto.

Raccordo del tubo di scarico

Inserire il tubo di scarico nel condotto di evacuazione di almeno 4 cm di diametro, o lasciar sgocciolare nel lavandino prestando attenzione a non piegarlo o schiacciarlo. L'altezza del tubo di scarico deve essere inferiore a 1000 mm. Al fine di evitare qualsiasi ritorno, l'estremità libera del tubo non deve essere immersa nell'acqua.

⚠ Fissare il tubo di scarico in posizione A o B affinché resti bene in posizione.



Come scaricare l'acqua in eccesso dai tubi

Se il collegamento al tubo di scarico è posizionato a un'altezza superiore a 1000 mm, un eccesso di acqua può formarsi nel tubo di scarico. Sarà pertanto necessario far defluire l'acqua in eccesso in una bacinella o un recipiente idoneo, da tenere all'esterno a un'altezza inferiore a quella del lavello.

Uscita dell'acqua

Collegare il tubo di scarico. Il tubo di scarico deve essere posizionato correttamente per evitare perdite d'acqua. Verificare che il tubo di ingresso dell'acqua non sia piegato o schiacciato.

Tubo di prolunga

Se occorre un tubo di prolunga, usare un tubo simile a quello di scarico.

Il collegamento allo scarico deve situarsi a meno di 1000 mm di altezza (massimo) rispetto alla parte inferiore della lavastoviglie.

Posizionamento dell'apparecchio

Installare l'apparecchio nel luogo desiderato. La parte posteriore dell'apparecchio deve essere posizionata contro il muro e le pareti laterali contro le pareti o i muri adiacenti. La lavastoviglie è dotata di tubi di ingresso e di scarico che possono essere posizionati sia a sinistra sia a destra dell'apparecchio per facilitare la sua installazione.

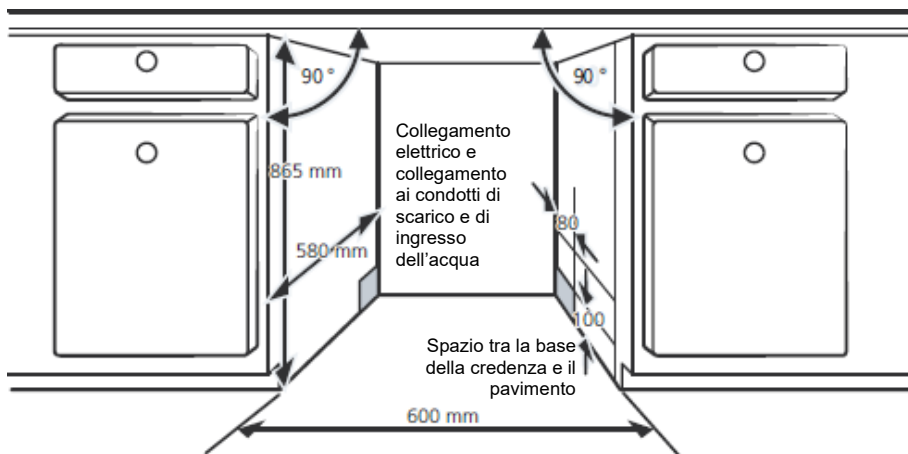
Incasso (per il modello a incasso)

Fase 1. Selezione del luogo più adatto alla lavastoviglie

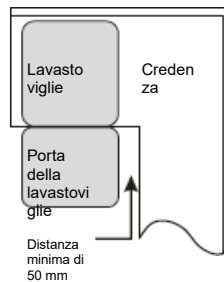
La lavastoviglie deve essere installata vicino ai condotti di ingresso e di scarico dell'acqua, così come all'alimentazione elettrica.

Illustrazioni delle dimensioni del luogo di installazione e della posizione di installazione della lavastoviglie.

1. Meno di 5 mm tra la parte superiore della lavastoviglie e il piano di lavoro: parete esterna allineata alle credenze.



2. Se la lavastoviglie è installata vicino a un angolo, prevedere una distanza di sicurezza per l'apertura della porta.



 **NOTA:**

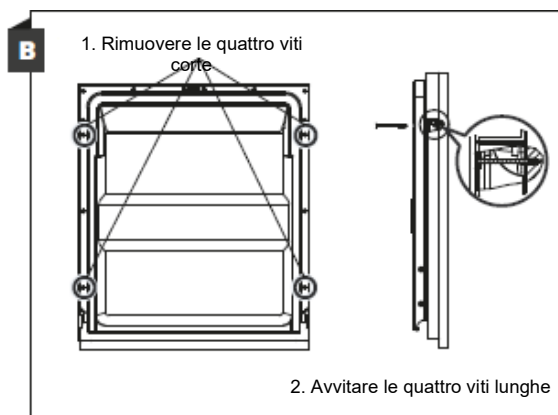
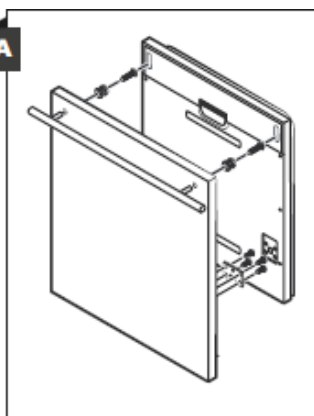
In funzione della posizione della presa elettrica, è possibile dover tagliare un'apertura nella parete laterale del mobile adiacente.

Fase 2. Dimensioni e installazione del pannello di rivestimento



Seguire le istruzioni per l'installazione specifiche per fissare il pannello di rivestimento della porta.

Modello a incasso

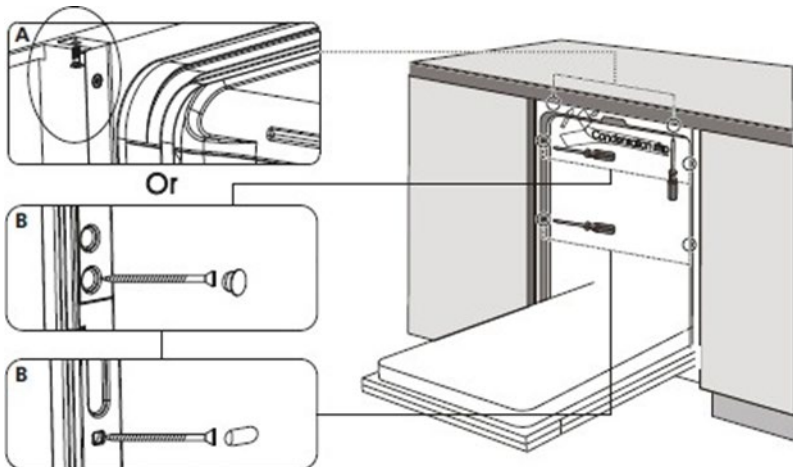


Fase 3. Fasi di installazione della lavastoviglie



Fare riferimento alle fasi di installazione specifiche indicate sugli schemi di installazione.

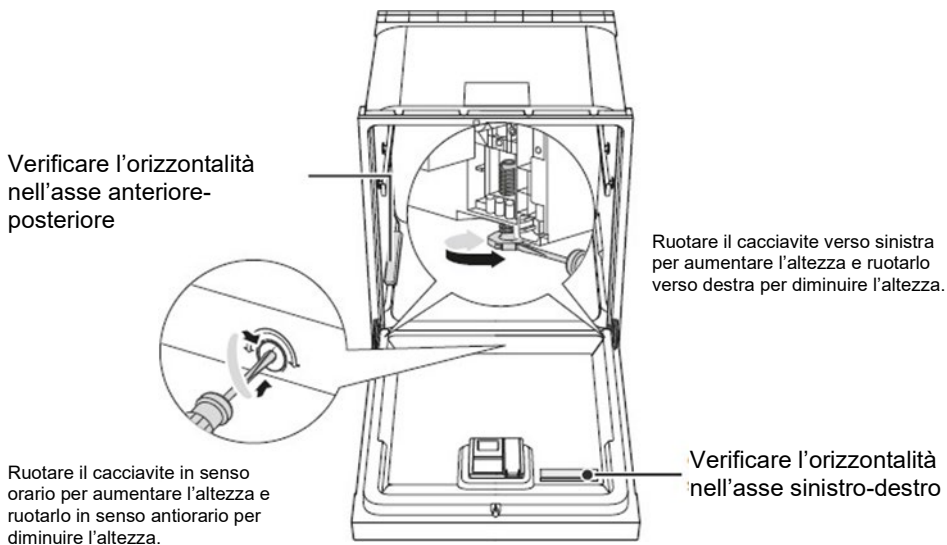
1. Installare il pannello di rivestimento sulla porta esterna della lavastoviglie. (da fase 2 a fase 5)
2. Regolare la tensione delle molle della porta tramite una chiave esagonale, ruotando in senso orario per stringere le molle a destra e a sinistra della porta. Il mancato rispetto di queste istruzioni può danneggiare la lavastoviglie. (Fase 6)
3. Fissare la striscia di protezione anticondensa sul lato inferiore del piano di lavoro. La striscia anticondensa deve essere in linea con il bordo del piano di lavoro. (Fase 8)
4. Collegare il tubo di ingresso dell'acqua al rubinetto di ingresso dell'acqua fredda. (Fase 9)
5. Collegare il tubo di scarico. (Fase 9)
6. Collegare il cavo di alimentazione. (Fase 9)
7. Inserire la lavastoviglie nel suo spazio. (Fase 10)
8. Mettere la lavastoviglie a livello. È possibile regolare il piedino posteriore dalla parte anteriore della lavastoviglie ruotando la vite croce che si trova al centro della base della lavastoviglie con un cacciavite a croce. Per regolare il piedino anteriore, ruotarlo con un cacciavite piatto fino a quando la lavastoviglie non è in piano. (Fase 11)
9. La lavastoviglie deve essere correttamente fissata. In funzione della posizione, è possibile scegliere un fissaggio superiore o laterale. L'operazione fissa è la seguente: (Fase 12)
 - A. Piano di lavoro normale: Inserire il gancio di installazione nella fessura del pannello laterale e fissarlo sul piano di lavoro con la vite.
 - B. Piano di lavoro in marmo o granito: Fissare il pannello laterale con una vite.



Fase 4. Messa in piano della lavastoviglie

La lavastoviglie deve essere messa a livello per garantire il corretto funzionamento dei cestelli per piatti e le prestazioni di lavaggio.

1. Per controllare che l'apparecchio sia in piano, appoggiare una livella sulla porta e sulle guide laterali all'interno della vasca.
2. Mettere la lavastoviglie a livello regolando individualmente i tre piedini di regolazione.
3. Durante la messa a livello, prestare attenzione a non far ribaltare la lavastoviglie.



NOTA:

L'altezza massima di regolazione dei piedini è di 50 mm.

GUIDA PER LA RISOLUZIONE DEI PROBLEMI

Prima di chiamare il servizio di assistenza

Le tabelle seguenti possono evitare di ricorrere al servizio di assistenza.

Problema	Cause possibili	Cosa fare
La lavastoviglie non si avvia	Un fusibile è bruciato, oppure è scattato l'interruttore differenziale.	Sostituire il fusibile o ripristinare il differenziale. Scollegare gli altri apparecchi eventualmente collegati allo stesso circuito della lavastoviglie.
	L'apparecchio non è acceso.	Controllare che la lavastoviglie sia accesa e che la porta sia ben chiusa. Controllare che il cavo di alimentazione sia correttamente inserito nella presa elettrica.
	La pressione dell'acqua è bassa	Controllare che il tubo di carico sia collegato correttamente e che il rubinetto dell'acqua sia aperto.
	La porta della lavastoviglie non è chiusa correttamente.	Chiudere bene la porta e bloccarla.
La lavastoviglie non pompa l'acqua	Il tubo di scarico è piegato o schiacciato.	Controllare lo stato del tubo di scarico
	Il filtro è ostruito.	Verificare il sistema filtrante.
	Il lavello è ostruito.	Controllare che il lavello della cucina scarichi l'acqua correttamente. Se il problema è dovuto all'ostruzione del lavello, è necessario chiedere l'intervento di un idraulico anziché di un tecnico di assistenza specializzato nelle lavastoviglie.
Schiuma nella vasca	Il detersivo non è adatto.	<p>Usare solo detersivi specifici per lavastoviglie per evitare la formazione di schiuma. Nel caso di un eccesso di schiuma, aprire la lavastoviglie e lasciarla evaporare. Aggiungere 1 litro di acqua fredda nel fondo della lavastoviglie.</p> <p>Chiudere la porta della lavastoviglie, poi selezionare qualsiasi ciclo. La lavastoviglie inizierà a scaricare l'acqua.</p> <p>Aprire la porta una volta che il risciacquo è terminato e verificare che la schiuma sia sparita.</p> <p>Ripetere se necessario.</p>

Problema	Cause possibili	Cosa fare
	Il brillantante è stato rovesciato.	Eliminare sempre immediatamente le eventuali fuoriuscite di brillantante.
L'interno della vasca è macchiato	È stato utilizzato un detersivo con coloranti.	Controllare che il detersivo non contenga coloranti.
Patina bianca sulle superfici interne	Si tratta di minerali presenti nell'acqua dura.	Per pulire l'interno, usare una panno morbido e imbevuto di detersivo per lavastoviglie e indossare guanti di gomma. Non utilizzare mai prodotti diversi dal detersivo specifico per lavastoviglie, per evitare una formazione eccessiva di schiuma.
Le posate presentano macchie di ruggine	Le posate macchiate non sono resistenti alla corrosione.	Evitare di mettere nella lavastoviglie posate che non siano resistenti alla corrosione.
	Non è stato avviato un programma dopo l'aggiunta del sale per lavastoviglie. Alcune tracce di sale sono entrate nel ciclo di lavaggio.	Lanciare sempre un programma di lavaggio a vuoto dopo aver aggiunto il sale. Non selezionare la funzione Turbo (se questa è disponibile) dopo aver aggiunto il sale.
	Il coperchio dell'addolcitore è allentato.	Verificare che il coperchio dell'addolcitore sia correttamente chiuso.
Rumore intenso nella lavastoviglie	Un braccio aspersore si urta contro un oggetto nel cestello inferiore o superiore.	Interrompere il programma e risistemare gli oggetti che ostruiscono il braccio aspersore.
Tintinnii nella lavastoviglie	Alcune posate si sono capovolte nella lavastoviglie.	Interrompere il programma e risistemare la disposizione delle posate.
Rumore di colpi nei condotti dell'acqua	Questo rumore può essere causato dall'installazione in loco o dalle sezioni della tubazione.	Non ha nessun impatto sulla funzionalità della lavastoviglie. In caso di dubbi, rivolgersi a un idraulico qualificato.
I piatti non sono puliti	I piatti non sono stati caricati correttamente nella lavastoviglie.	Fare riferimento alla PARTE II "Preparazione e caricamento dei cestelli".
	Il programma non era sufficientemente intenso.	Selezionare un programma più intenso.

Problema	Cause possibili	Cosa fare
I piatti non sono puliti.	La dose di detersivo non era sufficiente.	Usare una maggiore quantità di detersivo, o cambiare di tipo di detersivo.
	Il movimento dei bracci aspersori è bloccato da uno o più oggetti.	Ridisporre le stoviglie in modo che il braccio aspersore possa ruotare liberamente.
	Il gruppo filtrante non è pulito o non è correttamente fissato alla base della lavastoviglie. Questo potrebbe causare il blocco dei getti del braccio aspersore.	Pulire e/o inserire correttamente il gruppo filtrante. Pulizia dei bracci aspersori.
Patina opaca sui bicchieri.	Combinazione tra acqua dolce e dose eccessiva di detersivo.	Se l'acqua della zona è dolce, usare una dose minore di detersivo e selezionare un ciclo di lavaggio più breve per i bicchieri per una migliore pulizia.
Macchie bianche sugli utensili e sui bicchieri.	Un'acqua dura può causare depositi di calcare.	Verificare la regolazione dell'addolcitore dell'acqua o lo stato di riempimento del serbatoio del sale.
Macchie nere o grigie sui piatti	Sfregamento degli utensili di alluminio contro i piatti	Usare un detergente leggermente abrasivo per eliminare le macchie.
Residui di detersivo nelle vaschette	Degli utensili bloccano le vaschette del detersivo	Risistemare i piatti correttamente.
I piatti non sono asciutti	Disposizione degli utensili errata	Usare i guanti se si trovano residui di detersivo sulle stoviglie per evitare le irritazioni cutanee.
	I piatti sono stati estratti troppo presto	Non svuotare la lavastoviglie subito dopo il lavaggio. Aprire leggermente la porta in modo che il vapore possa fuoriuscire. Attendere che la temperatura interna della lavastoviglie si abbassi a sufficienza per poter rimuovere le stoviglie. Svuotare per primo il cestello inferiore per evitare che l'acqua del cestello superiore non vi coli sopra.

Problema	Cause possibili	Cosa fare
I piatti non sono asciutti	È stato selezionato un programma sbagliato.	Nel programma breve, la temperatura di lavaggio è più bassa. Questo riduce anche l'efficacia dell'azione pulente. Scegliere un programma di lavaggio più lungo.
	Le posate hanno un rivestimento di bassa qualità.	La bassa qualità del rivestimento rende più difficile lo scorrimento dell'acqua. Posate o piatti di questo tipo non sono idonei per il lavaggio in lavastoviglie.



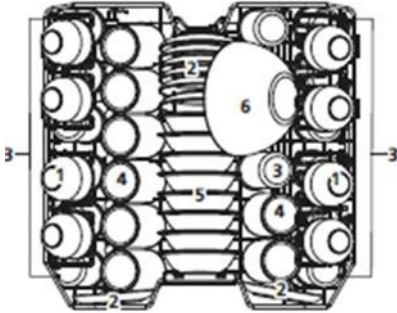
AVVERTENZA

La riparazione in autonomia o non effettuata da un professionista può causare gravi rischi per la sicurezza dell'utilizzatore dell'apparecchio e avere un'incidenza sulla garanzia.

RIEMPIMENTO DEI CESTELLI CONFORME ALLA NORMA EN60436:

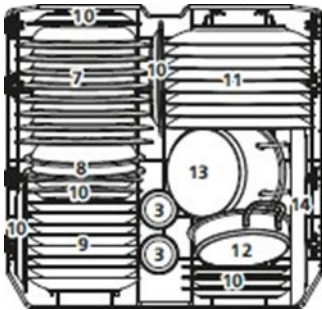
Caricare la lavastoviglie a pieno carico contribuisce a risparmiare energia e acqua.

1. Cestello superiore:



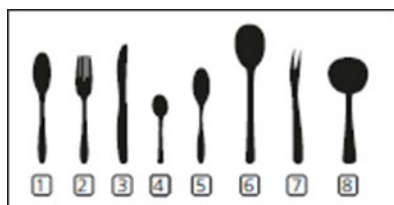
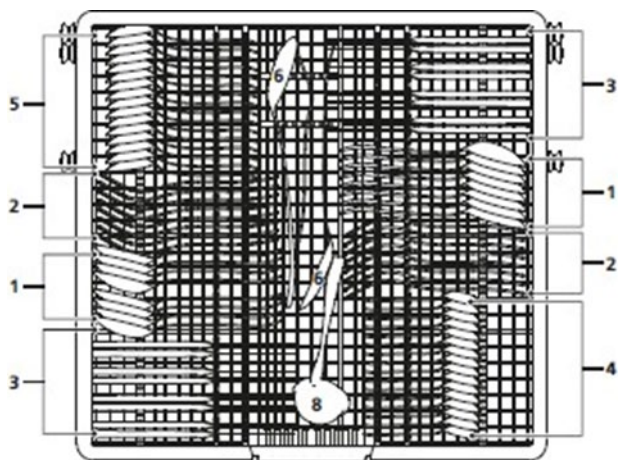
Numero	Tipo di stoviglia
1	Tazze
2	Piattini
3	Bicchieri
4	Tazze grandi
5	Ciotola per dessert
6	Ciotole in vetro

2. Cestello inferiore:



Numero	Tipo di stoviglia
7	Piatti fondi
8	Ciotole in melamina
9	Piatti da dessert
10	Piatti da dessert in melamina
11	Piatti piani
12	Piccoli tegami
13	Teglia da forno
14	Piatti ovali

3. Cassetto delle posate:



Numero	Tipo di stoviglia
1	Cucchiai
2	Forchette
3	Coltelli
4	Cucchiaini da caffè
5	Cucchiaini da dessert
6	Cucchiai da portata
7	Forchette da portata
8	Mestoli

Informazioni sui test di comparazione conformemente alla norma EN60436

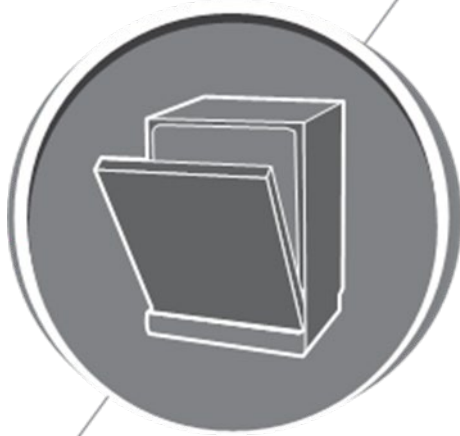
Capacità: 16 coperti

Posizione del cestello superiore: posizione bassa

Programma: ECO

Regolazione del brillantante: Max

Regolazione dell'addolcitore: H3



Lavastoviglie

Manuale di istruzioni

PARTE II: Istruzioni specifiche

DCJ632DQX



Leggere attentamente questo manuale di istruzioni prima di usare la lavastoviglie. Conservare questo manuale di istruzioni per ogni futuro riferimento.

SOMMARIO

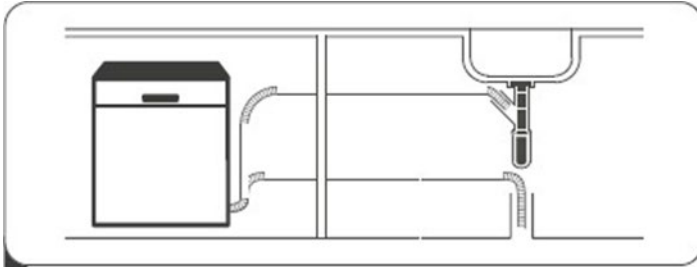
01	4	USO DELLA LAVASTOVIGLIE
	4	Pannello dei comandi
	8	Addolcitore dell'acqua
	9	Preparazione e caricamento dei cestelli
	12	Funzione del brillantante e del detersivo
	13	Rifornimento del serbatoio del brillantante
	14	Riempimento della vaschetta del detersivo
02	15	SELEZIONE DEL PROGRAMMA
	15	Tabella dei programmi
	16	Risparmio energetico
	16	Avvio di un programma
	17	Come modificare il programma durante il ciclo
	18	Piatto dimenticato
	18	Apertura automatica
03	19	CODICI DI ERRORE
04	20	INFORMAZIONI TECNICHE

NOTA:

- Se non è in grado di risolvere autonomamente il problema, si rivolga all'assistenza di un tecnico qualificato.
- Conformemente alla sua politica di evoluzione e di aggiornamento costante dei prodotti, il fabbricante può apportare modifiche senza preavviso.

ISTRUZIONI PER L'AVVIAMENTO

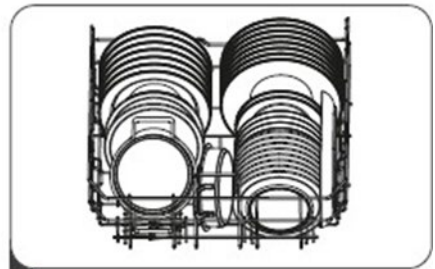
Per saperne di più sul funzionamento dell'apparecchio, leggere la sezione corrispondente del manuale di istruzioni.



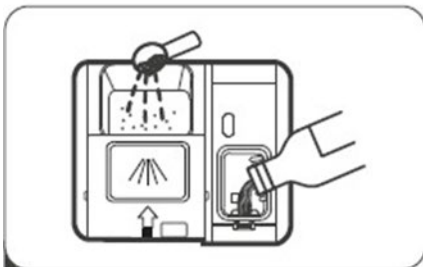
- 1** Installare la lavastoviglie
(Fare riferimento alla sezione 5 “ISTRUZIONI PER L’INSTALLAZIONE” della PARTE I: Istruzioni generali)



- 2** Verificare l'orizzontalità nell'asse anteriore-posteriore



- 3** Riempire i cestelli.



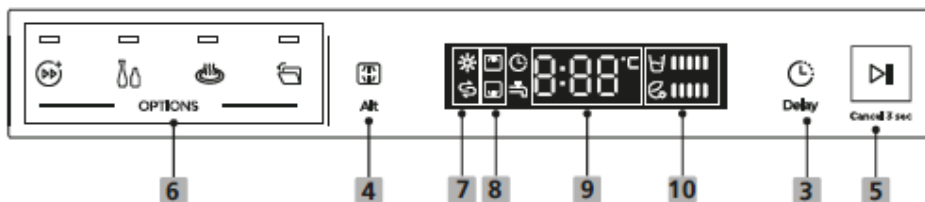
- 4** Riempire la vaschetta del detersivo e il serbatoio del brillantante.



- 5** Selezionare un programma adatto e avviare la lavastoviglie.


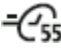








USO DELLA LAVASTOVIGLIE

Pannello dei comandi



Funzione (pulsante)

1 On/Off	Premere il pulsante per accendere la lavastoviglie. Lo schermo si accende.
2 Programma	<p>ICS+ ICS+ Questo programma è controllato da sensori e si adatta al grado di sporcizia. È adatto a tutti i tipi di stoviglia.</p> <p>H+ Igiene 72° Questo programma è adatto a tutti i tipi di stoviglia e a tutti i gradi di sporcizia. Questo fornisce la temperatura di lavaggio più elevata per la disinfezione delle stoviglie.</p> <p>Silenzio Questo programma è adatto ai bicchieri e alle stoviglie mediamente sporche. Questo funziona più silenziosamente e può essere usato la sera o la notte.</p>

2 Programma	<p>ECO ECO Questo programma standard è adatto a stoviglie mediamente sporche. Si tratta di un programma più efficace in termini di consumo energetico e di acqua.</p> <p> 90 min Per le stoviglie mediamente sporche che necessitano di un lavaggio e di un'asciugatura rapidi.</p> <p> Lavaggio e asciugatura 55 min Per le stoviglie mediamente sporche che necessitano di un lavaggio e di un'asciugatura rapidi.</p> <p> Lavaggio e rapido 35 min Questo programma offre un lavaggio più breve per le stoviglie poco sporche che non necessitano di asciugatura.</p> <p> Prelavaggio Si tratta di un programma di risciacquo unicamente destinato a separare i residui di sporco dalle stoviglie per un ulteriore lavaggio.</p> <p> Pulizia automatica Questo programma permette di pulire efficacemente l'apparecchio a vuoto.</p>
3 Avvio ritardato	Premere il pulsante per ritardare l'ora di avvio di un programma fino a 24 ore tramite incrementi di un'ora. Quando è attivata, la spia () si accende.
4 Alt	Premere il pulsante per selezionare un lavaggio unicamente del cestello superiore o inferiore o entrambi. Le spie ( ) si accendono.
5 Avvio/Pausa	Premere il pulsante per avviare il programma di lavaggio selezionato o mettere il programma in pausa.
6 Opzione	<p> Turbo velocità+ Con questa opzione il tempo di funzionamento sarà ridotto dal 15% al 50%, in funzione dell'aumento della temperatura e della velocità di rotazione del motore. Questa opzione non può essere selezionata insieme ai programmi Automatico, Lavaggio rapido 35 minuti e Prelavaggio. Se questa opzione è combinata all'apertura automatica, neanche il lavaggio può essere più attivato.</p> <p> Getto del lavaggio Questa opzione può essere usata per la pulizia delle bottiglie posizionate nella zona dedicata del cestello superiore. Questa opzione non può essere selezionata insieme ai programmi Automatico, Lavaggio e asciugatura 55 min, Prelavaggio e Pulizia automatica.</p>

Display

6 Opzione



Extra asciugatura

Questa opzione permette di aumentare la temperatura dell'ultimo risciacquo e di allungare il tempo di asciugatura e migliorarne l'effetto. Questa opzione non può essere selezionata insieme ai programmi ECO, Igiene 72°, Silenzio e 90 min.



Apertura automatica

La porta della lavastoviglie si apre automaticamente alla fine del programma per migliorare il risultato di asciugatura. L'apertura automatica è attivata in modalità predefinita in fabbrica. Se questa regolazione è disattivata, la scelta resta valida anche quando la lavastoviglie è spenta. Questa opzione non può essere selezionata insieme ai programmi Lavaggio rapido 35 min, Prelavaggio e Pulizia automatica.

7 Spia



Brillantante

Se la spia “❄” è accesa, questo significa che il livello del brillantante nella lavastoviglie è basso e che occorre aggiungerne.



Sale

Se la spia “♁” è accesa, questo significa che il livello del sale nella lavastoviglie è basso e che occorre aggiungerne.



Rubinetto

Se la spia “⚡” è accesa, questo significa che il rubinetto dell'acqua è chiuso.

Altre spie



Lavaggio solo del cestello superiore

Quando si seleziona “Superiore”, solo le stoviglie del cestello superiore verranno lavate. Il sistema di aspersione del cestello inferiore non funziona.



Lavaggio solo del cestello inferiore

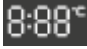


Quando si seleziona “Inferiore”, solo le stoviglie del cestello inferiore verranno lavate. Il sistema di aspersione del cestello superiore non funziona.



Lavaggio simultaneo del cestello superiore e inferiore

Quando si selezionano entrambi, le stoviglie del cestello superiore e inferiore verranno lavate. Il sistema di aspersione del cestello superiore o inferiore funziona alternativamente o insieme.

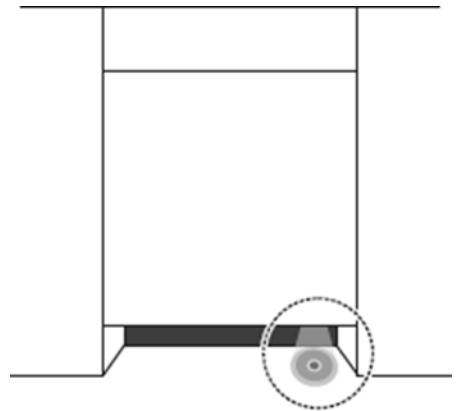
Display

9 Schermo	 <p>Visualizzazione della durata restante del programma, della temperatura di lavaggio, della durata per la partenza differita, dei codici di errore, ecc.</p>
Indicatore di consumo	<p> Livello di consumo di acqua L'indicatore di consumo di acqua indica il livello di consumo di acqua di un programma selezionato. Maggiore è il numero di barre visualizzate, maggiore è il consumo di acqua.</p> <p> Consumo di energia L'indicatore di consumo di energia indica il livello di consumo di acqua di un programma selezionato. Maggiore è il numero di barre visualizzate, maggiore è il consumo di energia.</p>

NOTA:

Funzionamento della spia luminosa

La spia luminosa si accende durante il programma di lavaggio, poi lampeggia per 5 minuti e si spegne alla fine del programma.



Addolcitore dell'acqua

L'addolcitore dell'acqua deve essere regolato manualmente tramite il selettore di durezza dell'acqua.

L'addolcitore ha la funzione di rimuovere dall'acqua i sali e i minerali che possono compromettere il corretto funzionamento dell'apparecchio.

Quanto più alto è il contenuto dei sali e minerali, tanto maggiore è la durezza dell'acqua. Se la lavastoviglie utilizza acqua dura, si formeranno depositi di calcare sulle stoviglie.

L'addolcitore dovrebbe essere regolato in base al grado di durezza dell'acqua nella propria zona. Per informazioni specifiche, rivolgersi all'autorità locale competente per la rete idrica.

NOTA:

Se la lavastoviglie non è dotata di addolcitore dell'acqua, trascurare questa sezione.

Regolazione del consumo di sale

La lavastoviglie è progettata per consentire la regolazione del quantitativo di sale consumato in base alla durezza dell'acqua utilizzata. Questa funzione consente di ottimizzare e personalizzare il consumo di sale.

La lavastoviglie deve essere adatta alla durezza dell'acqua della propria zona. Questa avrà un'incidenza sul consumo di sale per lavastoviglie.

Per adeguare la regolazione dell'addolcitore dell'acqua, seguire le fasi qui sotto:

1. Aprire la porta e accendere l'apparecchio.
2. Dopo 60 secondi dall'accensione, premere il pulsante di pulizia automatica per più di 5 secondi per avviare la modalità di regolazione dell'addolcitore dell'acqua.
3. Premere il pulsante di pulizia automatica per selezionare la regolazione corrispondente alla durezza dell'acqua della propria zona. I parametri scorrono nel seguente ordine: H1->H2->H3->H4->H5->H6;
4. Premere il pulsante "On/Off" per salvare la regolazione e uscire dalla modalità di regolazione.

DUREZZA DELL'ACQUA				Livello dell'addolcitore dell'acqua	La rigenerazione avviene ogni X sequenze di programma ¹⁾	Consumo di sale (grammo/ciclo)
°dH (Germania)	°fH (Francia)	°Clarke (Regno Unito)	mmol/l			
0 - 5	0 - 9	0 - 6	0 - 0,94	H1	Nessuna rigenerazione	0
6 - 11	10 - 20	7 - 14	1,0 - 2,0	H2	10	9
12 - 17	21 - 30	15 - 21	2,1 - 3,0	H3	5	12
18 - 22	31 - 40	22 - 28	3,1 - 4,0	H4	3	20
23 - 34	41 - 60	29 - 42	4,1 - 6,0	H5	2	30
35 - 55	61 - 98	43 - 69	6,1 - 9,8	H6	1	60

La regolazione di fabbrica è H3.

- 1) Ogni ciclo con un'operazione di rigenerazione consuma 3,0 litri di acqua aggiuntivi, il consumo di energia aumenta di 0,02 kWh e il programma si prolunga di 4 minuti.



Fare riferimento alla sezione 3 “Aggiunta di sale nell'addolcitore” della PARTE I: Istruzioni generali, se manca sale nella lavastoviglie.

Preparazione e caricamento dei cestelli

- Pensare ad acquistare stoviglie e utensili idonei al lavaggio in lavastoviglie.
- Per gli oggetti fragili, selezionare un programma con la minore temperatura possibile.
- Per evitare eventuali danni, non estrarre bicchieri e posate dalla lavastoviglie immediatamente dopo il completamento del programma.

Questa lavastoviglie è progettata per lavare e asciugare le stoviglie e gli utensili di cucina più comuni. Tuttavia, non tutti gli oggetti possono essere lavati in lavastoviglie.

I seguenti oggetti non sono adatti e rischiano di essere danneggiati durante il lavaggio:

- Posate in legno, in porcellana o madreperla.
- Oggetti in plastica non resistenti alle alte temperature.
- Posate di vecchia produzione con parti incollate non resistenti alle alte temperature.
- Posate o stoviglie con colla.
- Oggetti in peltro o in rame.
- Bicchieri in cristallo.
- Oggetti in acciaio non inossidabile.
- Taglieri di legno.
- Oggetti in fibre sintetiche.

Osservare i seguenti punti:

- Alcuni tipi di bicchieri che tendono ad opacizzarsi dopo alcuni lavaggi.
- Le parti in argento e alluminio che tendono a scolorirsi durante il lavaggio.
- Le parti smaltate che possono scolorirsi se lavate spesso in lavastoviglie.

Raccomandazioni per il caricamento della lavastoviglie

Rimuovere il grosso degli alimenti che restano sui piatti e sulle posate. Ammorbidire i residui degli alimenti nelle pentole, nei tegami e nelle padelle. Non è necessario sciacquare prima le stoviglie sotto l'acqua corrente.

Per ottenere risultati di lavaggio ottimali, attenersi alle istruzioni seguenti.

(Le caratteristiche e l'aspetto dei cestelli possono variare in base ai modelli.)

- Gli oggetti come tazze, bicchieri, tegami, pentole etc. devono essere caricati rivolti verso il basso.
- Gli oggetti curvi con superfici cave dovrebbero essere disposti in posizione inclinata, in modo da facilitare lo scorrimento dell'acqua.
- Tutti gli oggetti devono essere posizionati in maniera sicura affinché non possano rovesciarsi.
- Gli oggetti devono essere disposti in modo da lasciare spazio sufficiente affinché i bracci aspersori possano ruotare liberamente. Verificare la rotazione dei bracci aspersori prima di avviare un programma.
- Posate e piatti non devono essere posti uno sopra l'altro né essere sovrapposti.
- Evitare che le posate si incastrino tra di loro e che si coprano l'una con l'altra, affinché l'acqua possa raggiungere tutte le zone.
- Il cestello superiore è destinato alle stoviglie più leggere e delicate, come bicchieri e tazze.
- I coltelli appuntiti o a lama lunga disposti verso l'alto rappresentano un rischio.
- Le posate lunghe e affilate come coltelli trincianti devono essere posizionati orizzontalmente nel cestello superiore.
- Non sovraccaricare la lavastoviglie. In questo modo otterrete buoni risultati e ottimizzerete il consumo di energia.

NOTA:

Evitare di lavare gli oggetti molto piccoli nella lavastoviglie, perché possono facilmente cadere dai cestelli.

Rimozione delle stoviglie

Per impedire lo sgocciolamento dal cestello superiore a quello inferiore, si raccomanda di svuotare innanzitutto il cestello inferiore.

AVVERTENZA



Le stoviglie possono essere molto calde! Per evitare qualsiasi danno, lasciar raffreddare i bicchieri e gli oggetti delicati nei cestelli della lavastoviglie prima di estrarli.

Caricamento cestello superiore

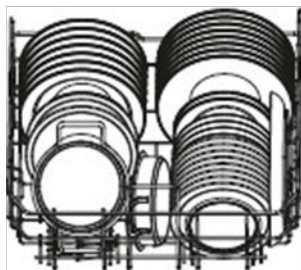
Il cestello superiore è destinato agli oggetti più delicati e leggeri, come bicchieri, tazze, piattini, ciotole nonché tegami e pentole con bordo basso.

Mettere i piatti e gli utensili da cucina in modo che non siano spostati dal getto d'acqua.



Caricamento del cestello superiore

Si raccomanda di disporre nel cestello inferiore gli oggetti più grandi e più difficili da lavare: tegami, pentole, coperchi, piatti di portata e ciotole, come illustrato. È preferibile disporre i piatti di portata e coperchi a lato delle griglie, in modo da non bloccare la rotazione del braccio aspersore.



Caricamento cestello per le posate

Le posate devono essere posizionate nel cestello per le posate separatamente le un dalle altre, in posizioni appropriate. Evitare di incastrarle per non ridurre l'efficacia del lavaggio.



Per risultati ottimali di pulizia e di asciugatura, fare riferimento alle opzioni di caricamento standard nell'ultima sezione della PARTE I: Istruzioni generali

Funzione del detersivo e del brillantante

Funzione del detersivo

Gli ingredienti chimici che compongono i detersivi per lavastoviglie sono necessari per rimuovere lo sporco, scomporlo ed evacuarlo dalla lavastoviglie. La maggior parte dei detersivi disponibili in commercio è adeguata a questa funzione.

⚠ AVVERTENZA

- Usare solo detersivi specifici per lavastoviglie. Il detersivo deve essere sempre tenuto in un luogo fresco e asciutto.
- Non riempire la vaschetta del detersivo prima di essere pronti ad avviare la lavastoviglie.



I detersivi per lavastoviglie sono corrosivi! Tenere il detersivo per la lavastoviglie fuori dalla portata dei bambini.

Funzione del brillantante

Il brillantante viene rilasciato durante l'ultimo risciacquo per impedire che le gocce d'acqua, depositandosi sulle stoviglie, lascino delle tracce. Il brillantante migliora anche l'asciugatura, facilitando lo scivolamento dell'acqua dalle stoviglie. La lavastoviglie è progettata per l'uso di brillantanti liquidi.

⚠ AVVERTENZA

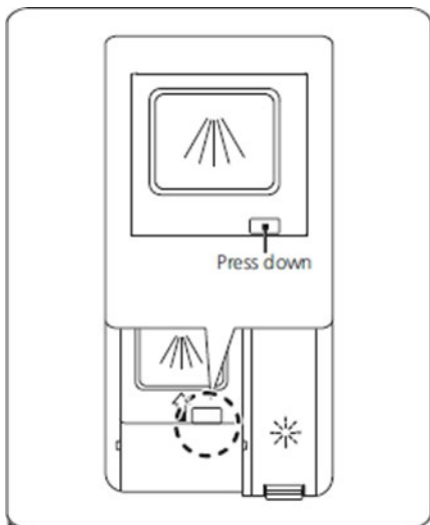
Non riempire mai il serbatoio del brillantante con altre sostanze (per esempio: detersivi per lavastoviglie o detersivi liquidi). In tal modo si potrebbe danneggiare l'apparecchio.

Quando rimettere il brillantante serbatoio?

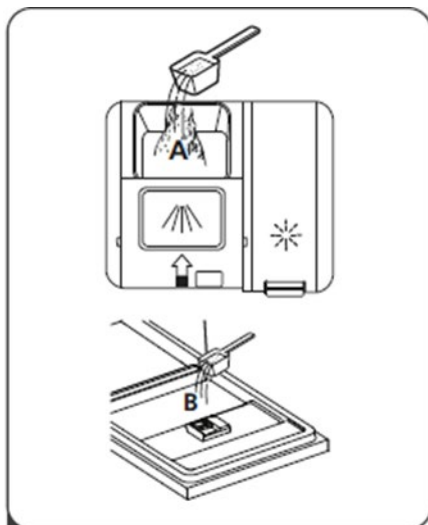
Quasi tutti i programmi usano un brillantante durante il risciacquo finale. In funzione della frequenza d'uso e della regolazione del brillantante, può essere necessario procedere al riempimento della vaschetta.

L'indicatore di livello basso del brillantante (※) si accende quando occorre aggiungerlo. Non riempire il serbatoio del brillantante oltre il limite.

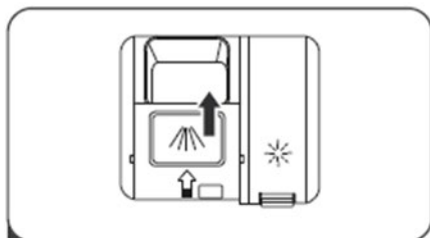
Riempimento della vaschetta del detersivo



- 1** Aprire il coperchio premendo il meccanismo di apertura.



- 2** Aggiungere il detersivo nella vaschetta del detersivo (A) per la fase di lavaggio principale. Per prestazioni di lavaggio ottimali, soprattutto se la lavastoviglie è molto sporca, versare una piccola quantità di detersivo sulla porta (B). Il detersivo supplementare si attiverà in fase di prelavaggio.



- 3** Chiudere il coperchio della vaschetta facendolo scorrere verso il basso fino a quando non si blocca.

NOTA:

- Attenersi alle raccomandazioni del fabbricante riportate sulla confezione del detersivo.

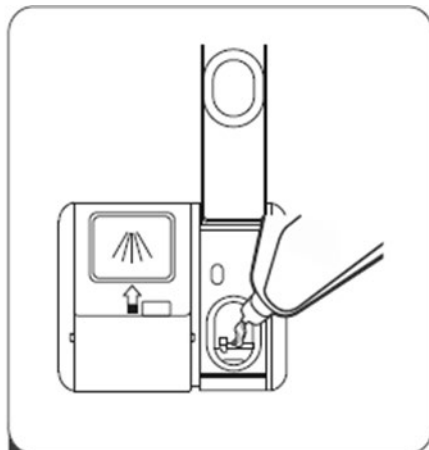
Rifornimento del serbatoio del brillantante



- 1** Aprire il coperchio del serbatoio del brillantante sollevando l'impugnatura.



- 3** Chiudere correttamente il coperchio dopo aver riempito il serbatoio.



- 2** Versare lentamente il brillantante nel serbatoio, evitando di riempirlo troppo.
Il brillantante fuoriuscito deve essere asciugato con un panno.

Regolazione del brillantante

La quantità di brillantante distribuito durante il risciacquo finale può essere regolata in questo modo:

1. Aprire la porta e accendere l'apparecchio.
2. Dopo 60 secondi dall'accensione, premere il pulsante di pulizia automatica per più di 5 secondi, poi il pulsante Avvio ritardato per avviare la modalità di regolazione del brillantante. La spia del brillantante inizia a lampeggiare.
3. Premere nuovamente il pulsante di Pulizia automatica per selezionare la regolazione in funzione dei propri bisogni.

I parametri scorrono nel seguente ordine: D1->D2->D3->D4->D5->D1.

Maggiore è il numero, maggiore sarà la quantità di brillantante usato dalla lavastoviglie.

La regolazione di fabbrica è D3.




4. Dopo aver raggiunto la regolazione desiderata, attendere 5 secondi o premere il pulsante On/Off per salvare il parametro selezionato e uscire dalla modalità di regolazione.




SELEZIONE DEL PROGRAMMA

Tabella dei programmi

La seguente tabella presenta diverse informazioni relative ai programmi.

I valori di consumo e la durata del programma sono forniti a titolo indicativo, tranne per il programma ECO. (●) indica che il programma usa il brillantante durante l'ultimo risciacquo.

Programma	Descrizione del ciclo	Detersivo di prelavaggio/lavaggio principale	Durata (min)	Consumo energetico (kWh)	Acqua (L)	Brillantante
ICS+ ICS+	Prelavaggio (45°C) Lavaggio (55-65°C) Risciacquo Risciacquo (50-60°C) Essiccazione	<u>5/19 g</u> (1 o 2 pastiglie)	102-175	0,930-1,470	10,3-16,9	●
H+ Igiene 72°	Prelavaggio Lavaggio (72°C) Risciacquo Risciacquo Risciacquo (72°C) Essiccazione	<u>5/19 g</u> (1 o 2 pastiglie)	225	1,925	16,7	●
 Silenzio	Prelavaggio Lavaggio (60°C) Risciacquo Risciacquo Risciacquo (50°C) Essiccazione	<u>5/19 g</u> (1 o 2 pastiglie)	230	1,330	16,7	●
ECO (*EN60436)	Lavaggio (50°C) Risciacquo Risciacquo (45°C) Essiccazione	<u>24 g</u> (1 o 2 pastiglie)	205	0,769	9,5	●
 90 min	Prelavaggio Lavaggio (0) Risciacquo Risciacquo (50) Essiccazione	<u>5/19 g</u> (1 o 2 pastiglie)	90	0,940	13,6	●
 Lavaggio e asciugatura 55 min	Lavaggio (60°C) Risciacquo Risciacquo (50°C) Essiccazione	<u>24 g</u> (1 pastiglia)	55	0,795	11,3	●

Programma	Descrizione del ciclo	Detersivo di prelavaggio/lavaggio principale	Durata (min)	Consumo energetico (kWh)	Acqua (L)	Brillantante
 Lavaggio e rapido 35 min	Lavaggio (55°C) Risciacquo Risciacquo (45°C)	18 g (1 pastiglia)	35	0,690	11,3	
 Prelavaggio	Prelavaggio	/	14	0,120	3,9	
 Pulizia automatica	Lavaggio (70°C) Risciacquo Risciacquo (55°C)	24 g (1 pastiglia)	115	1,245	11,7	●

NOTA:

ECO: Il programma ECO è adatto alla pulizia di stoviglie mediamente sporche. Per questo utilizzo, si tratta del programma più efficace in termini di consumo combinato di energia e di acqua, che lo rende conforme alla legislazione europea sull'eco-progettazione.

Durata di funzionamento dell'apertura automatica

Programma / Opzione	Durata (min)								
	ICS+	Igiene 72°	Silenzio	ECO	90 min	Lavaggio e asciugatura 55 min	Lavaggio e rapido 35 min	Prelavaggio	Pulizia automatica
Con apertura automatica	102-175	225	230	205	90	55	/	/	/
Senza apertura automatica	121-189	239	264	220	90	55	35	14	115

NOTA: L'opzione di apertura automatica non può essere selezionata insieme ai programmi Lavaggio rapido 35 min, Prelavaggio e Pulizia automatica.

Risparmio energetico

1. Il prelavaggio manuale delle stoviglie aumenta il consumo di acqua e di energia e non è raccomandato.
2. Il lavaggio delle stoviglie in una lavastoviglie a uso domestico consuma generalmente meno energia e acqua rispetto al lavaggio manuale quando la lavastoviglie è usata conformemente alle istruzioni.

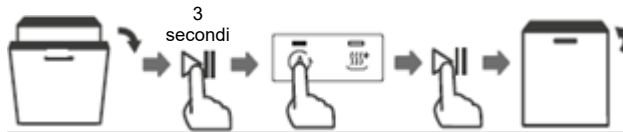
Avvio di un programma

1. Tirare verso di sé i cestelli superiore e inferiore, posizionare le stoviglie poi spingere i cestelli all'interno.
2. Aggiungere detersivo nella vaschetta.
3. Collegare l'apparecchio.
4. Assicurarsi che l'ingresso dell'acqua sia aperto per assicurare un livello di pressione adeguato.
5. Aprire la porta, premere il pulsante On/Off.
6. Scegliere un programma, poi premere il pulsante On. Richiudere la porta. La lavastoviglie avvia il programma.

Come modificare il programma durante il ciclo

Un programma può essere modificato solo se funziona da un breve periodo, altrimenti il detergente può essere già stato rilasciato o l'acqua di lavaggio che contiene il detersivo può essere già stata scaricata. In tal caso, occorre riavviare la lavastoviglie e riempire nuovamente la vaschetta del detersivo. Per riavviare lavastoviglie, seguire questo procedimento:

1. Aprire leggermente la porta per mettere il ciclo in pausa. Quando i bracci aspersori si fermano è possibile aprire la porta completamente.
 2. Premere il pulsante On/Off per più di 3 secondi per mettere la lavastoviglie in modalità di selezione del programma.
 3. È possibile modificare il programma selezionando il ciclo desiderato.
4. Premere il pulsante On/Off, poi chiudere la porta, la lavastoviglie si rimetterà in funzione.



Piatto dimenticato

È possibile aggiungere stoviglie in qualsiasi momento prima dell'apertura della vaschetta di detersivo. Per fare ciò, seguire questo procedimento:

1. Aprire leggermente la porta per arrestare il lavaggio.
2. Quando i bracci aspersori si fermano è possibile aprire la porta completamente.
3. Sistemare le stoviglie dimenticate nell'apparecchio.
4. Chiudere la porta.
5. La lavastoviglie si riavvia.



⚠ AVVERTENZA

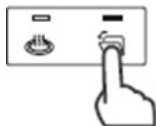


È pericoloso aprire la porta durante il lavaggio, perché il vapore caldo potrebbe provocare ustioni.

Apertura automatica

Alla fine di un programma la porta si apre automaticamente per ottenere un migliore effetto di asciugatura e ridurre il consumo di energia durante la fase di asciugatura.

È possibile premere il pulsante Apertura automatica per attivare o disattivare l'opzione di apertura automatica.



💡 NOTA:

La porta della lavastoviglie non deve essere bloccata quando è regolata per aprirsi automaticamente. Questo può compromettere il funzionamento della serratura.

CODICI DI ERRORE

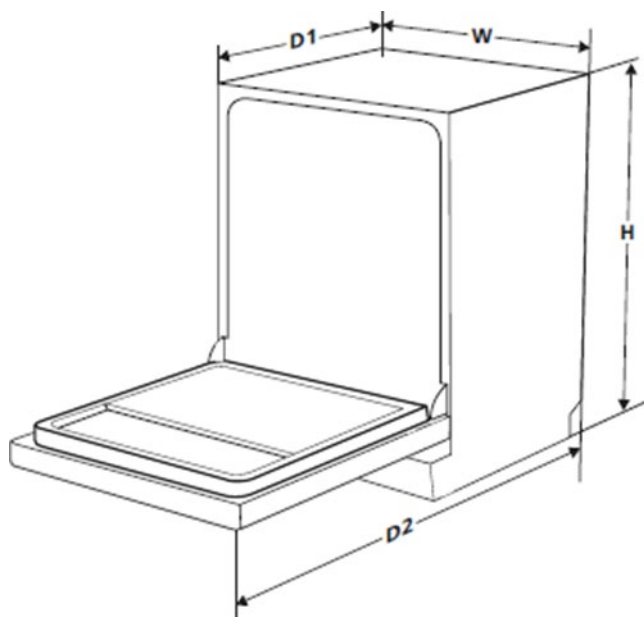
In caso di malfunzionamento, la lavastoviglie mostra un codice di errore. La seguente tabella presenta i codici di errore possibili e le loro cause.

Codice	Interpretazione	Possibili cause
E1	Tempo di ingresso dell'acqua troppo lungo	Il rubinetto è chiuso, l'ingresso dell'acqua è bloccato o la pressione dell'acqua è troppo
E3	Temperatura richiesta non raggiunta	L'elemento riscaldante non funziona correttamente
E4	Traboccamento.	Un componente della lavastoviglie perde
Ec	Malfunzionamento del sistema di controllo del lavaggio	Malfunzionamento della PCB, della pompa di scarico o del motore
Ed	Errore di comunicazione tra la scheda elettronica principale e la scheda elettronica del display	Circuito aperto o cortocircuito della comunicazione

AVVERTENZA

- In caso di traboccamento, chiudere il rubinetto principale dell'acqua prima di chiamare il servizio di assistenza.
- In caso di presenza di acqua alla base della vasca in seguito a un traboccamento o a una piccola perdita, rimuovere l'acqua prima di riavviare la lavastoviglie.
- Se non può essere risolto un codice di errore, chiedere assistenza a un professionista.

INFORMAZIONI TECNICHE



Altezza (H)	857 mm
Larghezza (L)	598 mm
Profondità (D1)	550 mm (porta chiusa)
Profondità (D2)	1.226 mm (porta aperta a 90°)

ACCESSO AL DATA BASE

Per accedere alle informazioni riguardanti il proprio modello nel data base dei prodotti, conformemente al regolamento (UE) 2019/2017 e relativo alla classe di consumo energetico, visitare il sito internet: <https://eprel.ec.europa.eu/>
Cercare il riferimento del proprio apparecchio sul sito internet inserendo il riferimento indicato sulla sua targhetta segnaletica.

Un altro modo di accedere a queste informazione è scansionare il QR code presente sull'etichetta energetica del proprio prodotto.

Servizio post vendita

- **INTERVENTI**

Gli eventuali interventi sull'apparecchio devono essere effettuati da personale qualificato e autorizzato dalla ditta concessionaria del marchio. Al momento della chiamata, indicare i riferimenti completi dell'apparecchio (modello, tipo, numero di serie). Queste informazioni sono riportate sulla targhetta segnaletica. È possibile contattarci dal lunedì al sabato, dalle 8 alle 20 al numero 06 69 34 34 (servizio gratuito + prezzo chiamata).

- **PEZZI ORIGINALI**



Brandt France, Service
Consommateurs – **De Dietrich** –
5 avenue des Béthunes, BP 69526
St Ouen L'Aumône, 95060 Cergy
Pontoise Cedex

> o telefonare al:

De Dietrich: 0892.02.88.04*

0,50 € tasse incluse/min da linea fissa

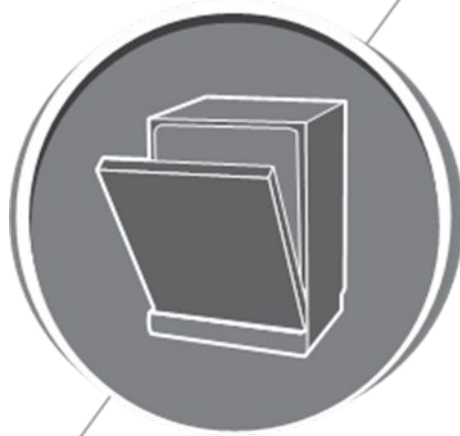
* Servizio offerto da Brandt France, società per azioni semplificata con capitale di 1.000.000€, 89/91 boulevard Franklin Roosevelt, 92500 Rueil-Malmaison – RCS Nanterre 801 250 531

Brandt France, società per azioni semplificata con capitale sociale di 1.000.000€, con sede sociale presso 89/91 boulevard Franklin Roosevelt, 92500 Rueil-Malmaison, immatricolata con il numero RCS Nanterre 801.250.531.

INFORMAZIONE:

La durata minima di messa a disposizione dei pezzi di ricambio inseriti nell'elenco del Regolamento Europeo 2019-2022-EU e accessibile in particolare all'utilizzatore dell'apparecchio è di 10 anni nelle condizioni previste da questo stesso regolamento.

De Dietrich 



Oppvaskmaskin

Bruksanvisning

DEL I: Generelle regler

Vennligst les denne bruksanvisningen nøye før oppvaskmaskinen tas i bruk. Ta vare på den slik at du kan slå opp i den senere.

INNHALDSFORTEGNELSE

01	3	SIKKERHETSINSTRUKSJONER
02	8	PRESENTASJON AV MASKINEN
03	9	BRUKE OPPVASKMASKINEN
	9	Påfylling av salt i avkalkeren
	11	Råd for sette oppvasken i maskinen
	13	Stor universell redskapsholder
04	14	RENGJØRING OG VEDLIKEHOLD
	14	Utvendig rengjøring
	14	Innvendig rengjøring
	17	Vedlikehold av oppvaskmaskinen
	18	MONTERINGSINSTRUKSER
05	18	Om den elektriske koblingen
	19	Vanninntak og avløp
	20	Tilkobling av avløpsslangen
	21	Plassering av maskinen
	21	Integrering (for integrert modell)
06	25	FEILSØKING
	28	Reservedeler
07	29	SETTE OPPVASKEN I MASKINEN



- Slå opp i kapittelet Feilsøking. Her finner du tips om hvordan du selv løser de vanligste problemene.
- Hvis du ikke kan løse problemet selv, kontakt en profesjonell tekniker.
- I henhold til produsentens retningslinjer om kontinuerlig utvikling og oppdatering av produktet, kan produsenten tilføre endringer uten forhåndsvarsel.

SIKKERHETSINSTRUKSJONER

ADVARSEL

Når du bruker oppvaskmaskinen, må du følge forholdsreglene nedenfor:

- Kun en kvalifisert tekniker kan montere og reparere maskinen.
- Denne maskinen er kun beregnet på husholdningsbruk og tilsvarende bruksområder, f.eks.:
 - kjøkken på butikker, kontorer og andre arbeidsplasser;
 - landbruk;
 - hotell, motell, gjesterom og andre overnattingssteder;
 - overnattingssteder med halvpensjon.
- Barn på minst 8 år, personer med nedsatte fysiske, sensoriske eller mentale funksjonsevner og personer uten erfaring eller relevante kunnskaper, kan kun bruke maskinen forutsatt at de får korrekt tilsyn fra en erfaren person eller nødvendige instruksjoner om sikker bruk av maskinen, og forutsatt at de forstår risikoen det innebærer å bruke maskinen.
- Barn skal ikke leke med maskinen. Rengjøring og vedlikehold skal ikke utføres av barn uten tilsyn. (For EN 60335-1)
Dette apparatet er ikke ment brukt av personer (inkludert barn) med nedsatte fysiske, sensoriske eller mentale evner, eller mangel på erfaring og kunnskap, med mindre disse personene får tilsyn eller nødvendige instruksjoner i bruken av apparatet av en person som er ansvarlig for deres sikkerhet.
- Emballasjen kan være farlig for barn!
- Denne maskinen skal utelukkende brukes i husholdningen.

For å avverge enhver risiko for elektrisk støt må maskinen, kablen eller vanninntaket aldri dyppes ned i vann eller annen væske.

- Koble fra maskinen før den rengjøres eller vedlikeholdes.
- Dersom strømledningen er skadet, skal den erstattes av produsenten, et godkjent verksted eller en person med lignende kvalifikasjoner for å forhindre enhver risiko.



Råd for jording

- Maskinen må jordes. Hvis det oppstår en feil i maskinen, fører jordingen av maskinen til lavere risiko for elektrisk støt fordi det gir lavere motstand for strømmen. Denne maskinen har et jordet støpselet.
- Støpselet må kobles til en egnet kontakt som er installert og jordet i samsvar med alle lokale regler.
- Feil tilkobling av kontakten kan føre til elektrisk støt.
- Ved tvil om maskinen er jordet, kontakt en kvalifisert fagperson eller en person fra reparasjonsverkstedet.
- Støpselet som følger med maskinen, må ikke endres hvis det ikke passer til stikkontakten.
- Hvis støpselet ikke passer til stikkontakten, må du få en kvalifisert elektriker til å installere en egnet stikkontakt.
- Pass på å ikke ødelegge maskinen, ikke sett deg på den eller stå på døren eller kurvene i oppvaskmaskinen.
- Ikke bruk oppvaskmaskinen hvis ikke alle veggene er korrekt installert.
- Vær forsiktig når du åpner døren til oppvaskmaskinen mens den går, da vann kan sprute ut.
- Ikke sett tunge gjenstander på døren eller stå på den mens den er åpen. Maskinen kan da velte.
- Når du setter skitten oppvask i maskinen:

- 1) Sett skarpe gjenstander slik at de ikke kan skade pakningen på døren;
 - 2) NB: kniver og andre skarpe gjenstander skal settes i bestikkurven med spissen ned eller vannrett.
- Enkelte oppvaskmidler for oppvaskmaskiner er svært basiske. De kan være ekstremt farlige hvis de svelges. Unngå enhver kontakt med hud og øyne, og hold barn på god avstand fra oppvaskmaskinen når døren er åpen.
 - Sjekk at det ikke er spor etter oppvaskmidler når vaskeprogrammet av avsluttet.
 - Sørg for at det står "kan vaskes i oppvaskmaskin" eller en lignende merknad på alle plastredskaper før de vaskes i oppvaskmaskinen.
 - For plastredskaper uten en slik merknad, se produsentens anbefalinger.
 - Bruk kun oppvaskmidler og glansmiddel som anbefales for automatiske oppvaskmaskiner.
 - Bruk aldri såpe, vaskemiddel til klesvask eller oppvasksåpe i oppvaskmaskinen.
 - Lukk alltid døren til maskinen for å unngå å snuble over den.
 - Når maskinen monteres, sørg for å ikke bøye eller klemme strømledningen uforholdsmessig mye.
 - Ikke endre betjeningene.
 - Maskinen må kobles til vanninntaket med nye slanger. Ikke bruk de gamle slangene på nytt.
- For å spare strøm slår maskinen seg av automatisk når den er i hvilemodus hvis ingen betjening trykkes på i 15 minutter.
- Dette produktet har plass til bestikk og tallerkener til maksimalt 16 personer.
 - Vanntrykket ved inntaket må være mellom 0,04 og 1 MPa.

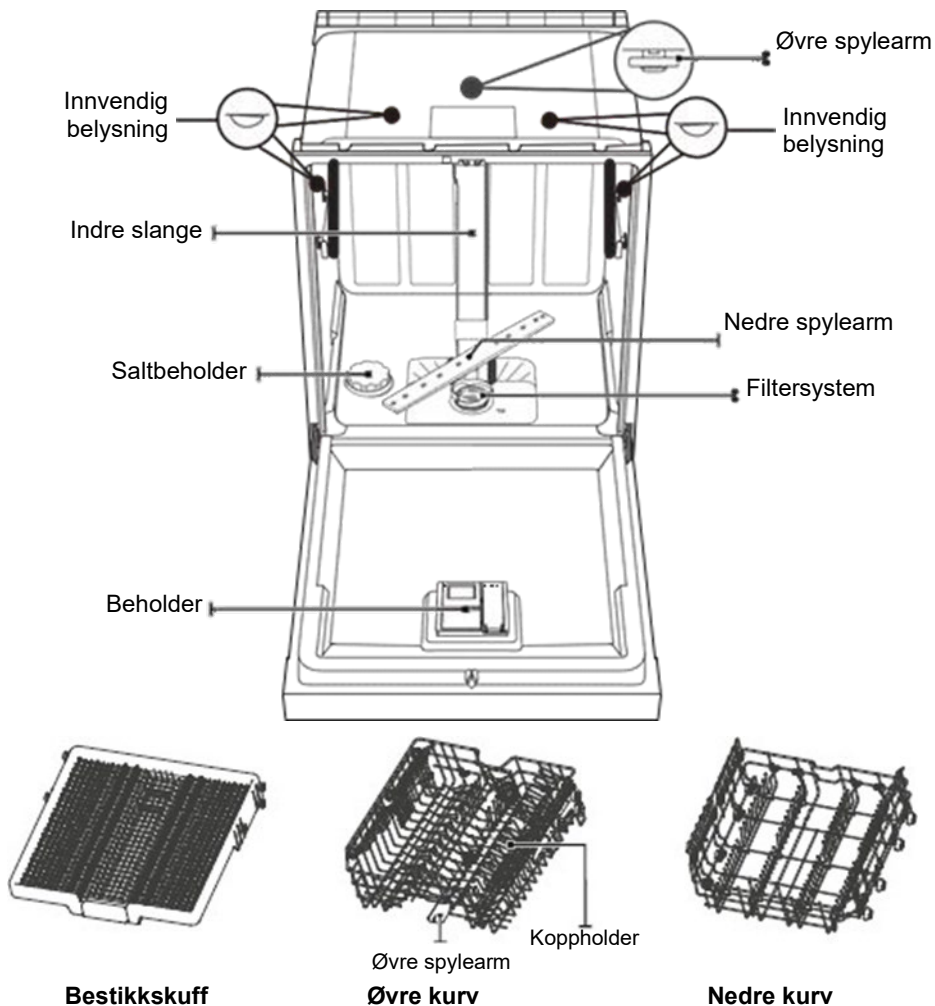
- Ta maskinen og emballasjen med til en gjenvinningsstasjon når de skal kastes. Da må du først kutte av strømledningen og gjøre dørens lukkesystem umulig å bruke.
- Pappemballasje er laget av resirkulert papir og må kastes sammen med papiravfall for å kunne gjenvinnes.
- Optimal avfallshåndtering er et positivt bidrag til miljø og helse.
- Du finner mer informasjon om resirkulering av dette produktet ved å kontakte kommunen og den lokale gjenvinningsstasjonen som behandler restavfall.
- **AVFALLSHÅNDTERING: Denne maskinen må ikke kastes sammen med usortert avfall. Denne maskinen må kastes separat for å kunne behandles på en egnet måte.**



PRESENTASJON AV MASKINEN

❶ VIKTIG:

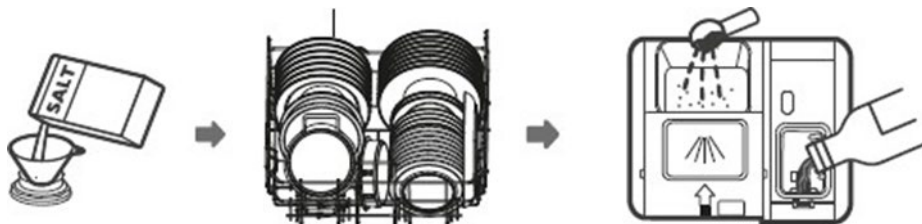
For å sikre at oppvaskmaskinen fungerer best mulig, bør du lese alle bruksinstruksene før du tar maskinen i bruk for første gang.



Illustrasjonene er kun til informasjon, de ulike modellene kan variere.

BRUKE OPPVASKMASKINEN

Før du tar i bruk oppvaskmaskinen:



1. Justere avkalkeren
2. Fylle salt i avkalkeren
3. Sette oppvask i maskinen
4. Fylle beholderen for oppvaskmiddel



Se kapittel 1 "Avkalker" i DEL II/Spesielle instruksjer for justering av avkalkeren.

Påfylling av salt i avkalkeren



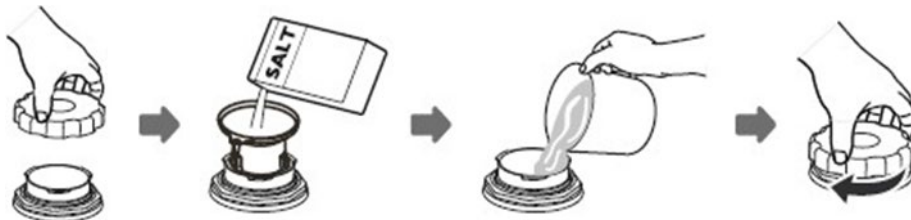
Hvis din modell ikke har en avkalker, kan du hoppe over dette kapitlet. Det er viktig å bruke salt for oppvaskmaskiner.

Saltbeholderen ligger under nedre kurv og fylles slik:

⚠ ADVARSEL

- **Det må kun brukes salt for oppvaskmaskiner!**
Alle andre typer salt som ikke er spesialtilpasset oppvaskmaskiner, særlig bordsalt, risikerer å skade avkalkeren. Hvis maskinen blir skadet fordi det brukes uegnet salt, fraskriver produsenten seg alt ansvar og kan ikke holdes ansvarlig for skadene.
- **Salt må alltid fylles på rett før en vaskesyklus.**
Dette hindrer saltkorn eller saltvann fra salt som eventuelt har falt utenfor beholderen, i å ligge lenge i bunnen av maskinen. Uoppløst salt kan etse overflaten.

Slik fyller du på salt for oppvaskmaskiner:



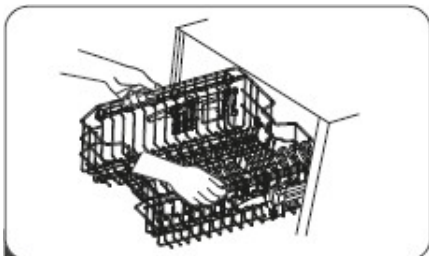
1. Ta ut nedre kurv og skru opp lokket på beholderen.
2. Sett tuppen på trakten (medfølger) i hullet og fyll på ca. 0,6 kg oppvasksalt.
3. Fyll vann i saltbeholderen opp til maks-merket. Det er normalt at det renner litt vann ut av saltbeholderen.
4. Når beholderen er full, sett tilbake lokket og skru godt fast.
5. Når saltbeholderen er fylt, slukkes varselampen for salt.

MERKNAD:

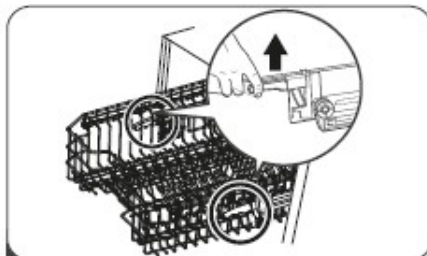
- Saltbeholderen skal ikke fylles før varselampen for salt (S) lyser på betjeningspanelet. Avhengig av hvor raskt saltet oppløses, er det mulig at varselampen lyser etter at beholderen er fylt. Hvis betjeningspanelet ikke har en varselampe for oppvasksalt (på enkelte modeller), kan du regne ut når du må fylle på salt i avkalkeren avhengig av antall sykluser oppvaskmaskinen har kjørt.
- Hvis du har sølt litt salt ved siden av beholderen, start en forvask eller hurtigvask for å rense det bort.

Råd for sette oppvasken i maskinen

Justering av øvre kurv



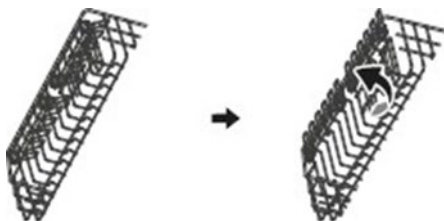
1 Øvre kurv kan heves ved å løfte kurven fra midten på hver side inntil den låser seg i øvre posisjon. Det er ikke nødvendig å løfte justeringshåndtakene.



2 Øvre kurv kan senkes ved å løfte justeringshåndtakene på hver side for å frigjøre kurven og sette den ned på nedre posisjon.

Nedfelle koppholderne

For å frigjøre plass i øvre kurv for større gjenstander kan du felle ned koppholderen. Da kan du lene de store glassene mot holderen. Du kan også ta den ut hvis du ikke trenger den.



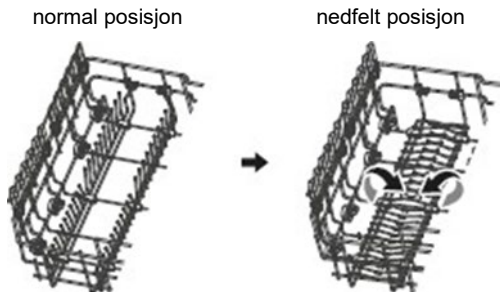
MERKNAD:

Når øvre kurv låser seg i øvre posisjon, kan du ikke nedfelle koppholderen.



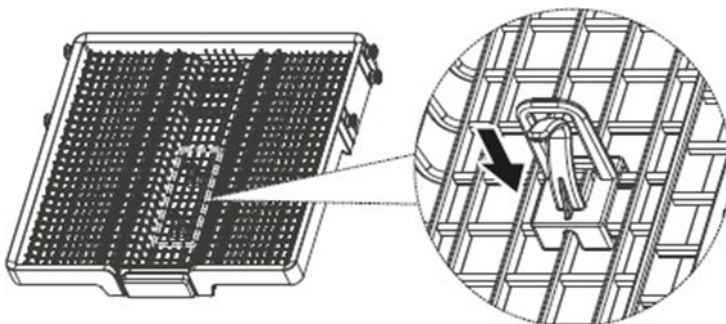
Nedfelle pinnene

Pinnene på nedre kurv brukes til å holde fast tallerkener og fat. Du kan felles ned pinnene for å frigjøre plass til større fat.

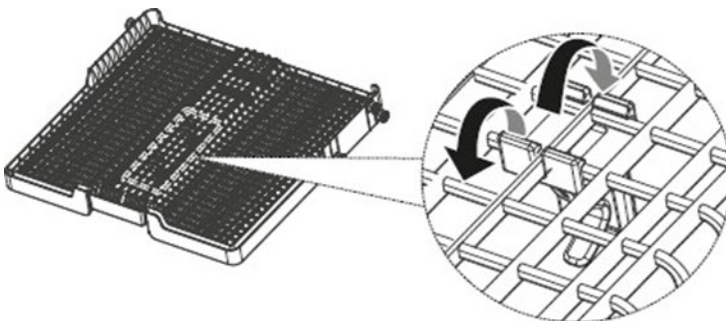


Smokkholder

Holderen klemmes på plass som vist i illustrasjonen. Den kan brukes til å feste små gjenstander som f.eks. en smokk.



Ta ut smokkholderen ved å åpne klaffene nedenfra som vist i illustrasjonen.



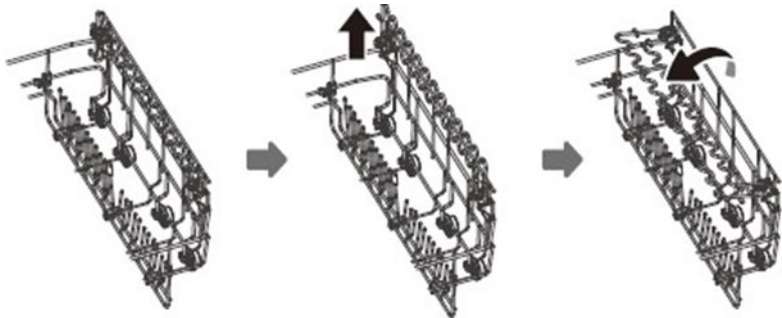
Stor universell redskapsholder

Trygg og fleksibel holder for store kjøkkenredskaper som f.eks. stekeplater og skjærebrett. Den egner seg også til store vinglass.



Når du vil bruke den, dra i holderen og trekk den ut.

Du kan felle ned holderen når du ikke trenger den. Den tar ikke ekstra plass når den er nedfelt.



RENGJØRING OG VEDLIKEHOLD

Utvendig rengjøring

Dør og dørpakning

Rengjør regelmessig pakningen på døren med en fuktig, myk klut for å fjerne eventuelle matrester.

Når du fyller oppvask i maskinen, hender det at matrester eller væske skitner til sidene på døren. Disse overflatene ligger på

utsiden av vaskeområdet og er derfor ikke i kontakt med vannet fra spylearmene. Du bør tørke vekk eventuelle flekker før du lukker døren.

Betjeningspanel

Bruk kun en fuktig, myk klut til å tørke av betjeningspanelet.

ADVARSEL

- For å unngå at vann kommer inn i dørens lukkesystem og i kontakt med de elektriske komponentene må du aldri bruke rengjøringsmidler i sprayform.
- Bruk aldri skuremidler eller skuresvamper på utsiden av maskinen da det risikerer å skrape opp overflaten. Enkelte typer tørkepapir kan også ripe opp overflaten eller etterlate merker.

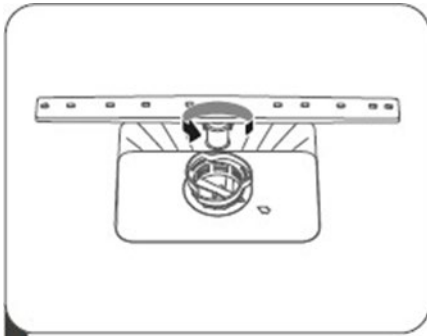
Innvendig rengjøring

Filtersystem

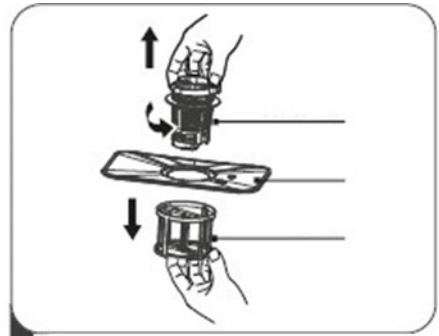
Filtersystemet i bunnen av maskinen fanger opp de største matrestene under vaskesyklusen, inkludert fremmedlegemer som f.eks. tannpikere eller skår. Dette kan tette igjen filterene. Sjekk tilstanden til filterene regelmessig (hver måned). Ta ut alle fremmedlegemer og rengjør delene av filtersystemet med vann om nødvendig. Følg trinnene nedenfor for å rengjøre filteret.

MERKNAD:

Illustrasjonene er kun til informasjon, de ulike modellene av filtersystemer og spylearmer kan variere.



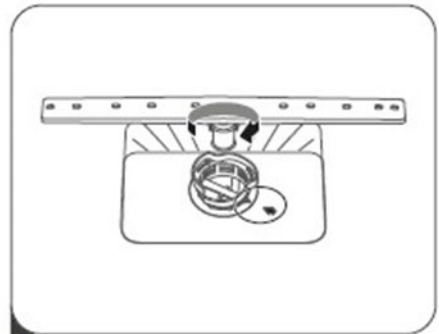
1 Hold primærfilteret og vri det mot klokken for å åpne det. Løft opp filteret og ta det ut av oppvaskmaskinen.



2 Du kan ta ut det finmaskede filteret under filtersystemet. Ta primærfilteret av hovedfilteret ved å trykke lett på klaffene øverst før du trekker ut filteret.



3 Skyll filteret under springen for å fjerne de største matrestene. Bruk en myk børste for å rense filteret grundig.



4 Sett sammen filtrene igjen ved å følge trinnene i motsatt rekkefølge. Sett tilbake filtersystemet og vri det med klokken frem til låsepilen.

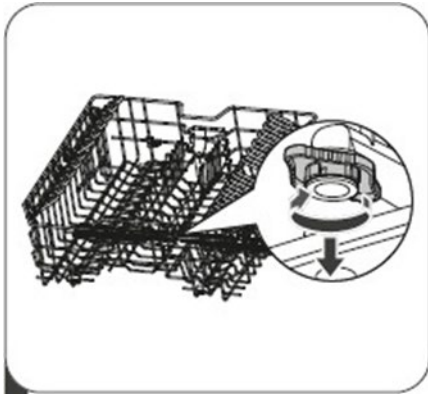
⚠ ADVARSEL

- Ikke skru filtrene for hardt. Sett tilbake filtrene i riktig rekkefølge og skru godt for å unngå at store matrester faller ned i systemet og tetter det til.
- Bruk aldri oppvaskmaskinen uten filtrene. Hvis filteret er installert feil, kan det føre til et dårligere resultat og skade oppvasken.

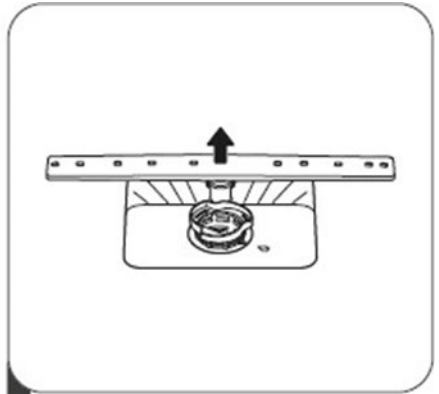
Spylearm

Du må rengjøre spylearmene regelmessig for å unngå at kjemiske partikler fra hardt vann tetter igjen dysene og kulelagene til spylearmene.

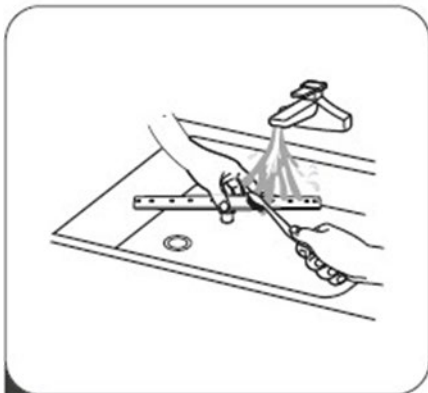
Følg instruksjonene nedenfor for å rengjøre spylearmene:



- 1** For å ta ut øvre spylearm må du holde fast skruen i midten og vri armen med klokken for å trekke den ut.



- 2** Dra armen oppover for å trekke ut nedre spylearm.



- 3** Vask armene i lun kent såpevann og rengjør dysene med en myk børste. Skyll dem godt og sett dem tilbake på plass.

Forholdsregler mot frost

Husk å ta forholdsregler for å beskytte oppvaskmaskinen mot frost om vinteren. Følg denne prosedyren etter hver oppvasksyklus:

1. Koble oppvaskmaskinen fra strømmettet ved å ta ut støpselet.
2. Skru av vanninntaket og koble maskinen fra kranen.
3. Tøm vannslangen og kranen. (Bruk en kjele for å samle opp vannet)
4. Koble vannslangen tilbake på kranen.
5. Ta ut filteret fra bunnen av maskinen og tørk av eventuelt vann.

Etter hver vask

Skru av vanninntaket og la døren stå på gløtt en liten stund etter hver vask for å slippe ut fuktighet og lukt.

Ta ut støpselet

Ta ut støpselet før maskinen rengjøres eller vedlikeholdes.

Rengjøring uten løsemidler eller skuremidler

For å vaske utsiden av oppvaskmaskinen og deler i gummi må du ikke bruke løsemidler eller skuremidler. Bruk kun en klut dynket i lunkent såpevann.

For å tørke bort flekker på innsiden av maskinen bruker du en klut fuktet med vann og litt eddik eller et rensmiddel for oppvaskmaskiner.

Langvarig stillstand

Det anbefales å kjøre en syklus med tom maskin, ta ut støpselet, skru av vanninntaket og la døren stå på gløtt. Dette forlenger levetiden for pakningene på døren og du unngår lukt i maskinen.

Flytte maskinen

Hvis du må flytte maskinen, prøv å holde den loddrett. Den kan legges på baksiden hvis det er absolutt nødvendig.

Pakninger

En av grunnene til at det dannes lukt i oppvaskmaskiner, er matrester i pakningene. Du unngår dette problemet ved å regelmessig rengjøre pakningene med en fuktig svamp.

MONTERINGSINSTRUKSER

ADVARSEL



Risiko for elektrisk støt

Slå av strømmen før du monterer oppvaskmaskinen.

Manglende overholdelse av denne instruksen kan være livsfarlig eller medføre elektrisk støt.

Viktig

Tilkobling av slanger og elektrisk utstyr må utføres av profesjonelle fagfolk.

Om den elektriske koblingen

ADVARSEL

Av hensyn til din sikkerhet:

- Ikke bruk skjøteledning eller adapter på denne maskinen.
- Jordledningen eller -forbindelsen må aldri kuttes av eller tas ut av den elektriske koblingen, uansett omstendigheter.

Strømtilførsel

Nettspenningen står på maskinens merkeskilt. Forhold deg til denne spenningen for å koble oppvaskmaskinen til et egnet strømnett. Bruk en anbefalt 10A/13A/16A sikring, en sikring med tidsforsinkelse eller en automatsikring og lag en egen strømkrets for maskinen.

Sjekk at spenningen og frekvensen på strømmettet tilsvarer merkeskiltet. Støpselet må ikke settes i stikkontakten før forbindelsen er jordet. Hvis stikkontakten som maskinen skal kobles til, ikke er egnet, skift den ut fremfor å bruke en adapter eller en annen løsning som kan føre til overoppheting og forbrenning.

Sørg for at ledningen er jordet før maskinen tas i bruk

Tilkobling av kaldt vann

Tilkoble vanninntaksslangen til kaldt vann med en gjenget slangekobling 3/4", og stram godt til.

Hvis vannslangene er nye eller ikke har blitt brukt over lang tid, la først vannet renne for å forsikre deg om at det er rent. Denne forholdsregelen er nødvendig for å unngå at vanninntaket tettes igjen og skader maskinen.



Vanlig vannslange



Sikret vannslange

Om den sikrede vannslangen

Den sikrede vannslangen har doble vegger. Dette systemet stopper vanninntaket hvis slangen er skadet eller luftrommet mellom vannslangen og den utvendige slangen er fylt med vann.

⚠ ADVARSEL

En slange festet til en kran kan eksplodere hvis den er installert på same vanninntak som oppvaskmaskinen. Hvis en slange er festet til kranen i vasken, anbefaler vi å avmontere slangen og tette igjen åpningen.

Tilkobling av den sikrede vannslangen

1. Ta de sikrede vannslangene ut av lagringsrommet på baksiden av oppvaskmaskinen.
2. Skru den sikrede vannslangen til kranen med en gjenget slangekobling 3/4".
3. Åpne vanninntaket for fullt før du starter oppvaskmaskinen.

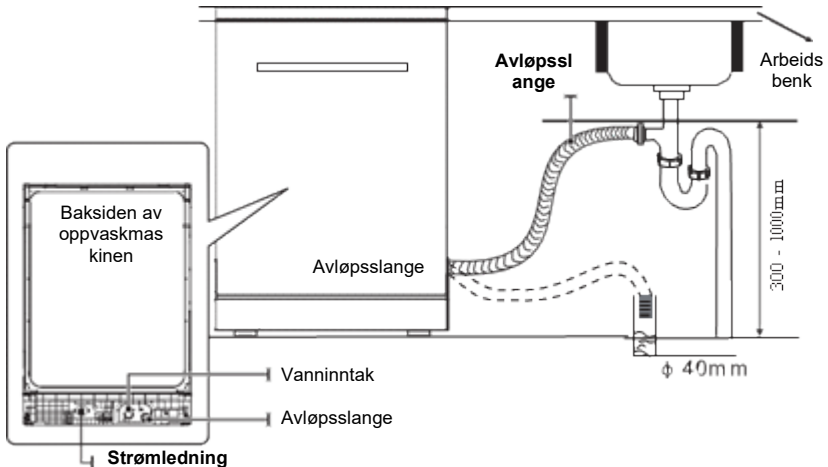
Avmontering av den sikrede vannslangen

1. Skru av vanninntaket.
2. Skru den sikrede vannslangen av kranen.

Tilkobling av avløpsslangen

Skyv avløpsslangen ned i et avløpsrør på minst 4 cm i diameter eller la avløpsslangen renne ut i vasken, men pass på at slangen ikke bøyes eller klypes. Avløpsrøret må ikke være høyere enn 1 000 mm. For å unngå tilbakeslag må den frie enden på slangen ikke ligge under vann.

⚠ Fest avløpsslangen i posisjon A eller B slik at den sitter godt



Tømme ut restvannet i slangene

Hvis koblingen på avløpsslangen er høyere enn 1 000 mm, kan det ligge igjen vann i avløpsslangen. Da må resten av vannet tømmes i en bolle eller annen egnet beholder på utsiden av maskinen på et lavere nivå enn vasken.

Vannutgang

Tilkoble avløpsslangen. Avløpsslangen må installeres riktig for å unngå vannlekkasje. Sørg for at avløpsslangen ikke er bøyd eller klemt.

Slangeforlengelse

Hvis du trenger en slangeforlengelse for avløpsvannet, må det brukes en lignende slange.

Den må ikke være lengre enn 4 meter, ellers kan vaskeresultatet bli mindre bra.

Plassering av maskinen

Sett maskinen på ønsket sted. Baksiden av maskinen skal stå mot veggen og sidene skal stå mot vegger på hver side. Oppvaskmaskinen er utstyrt med en vanninntaksslange og en avløpsslange som kan monteres på høyre eller venstre side av maskinen for å gjøre monteringen enklere.

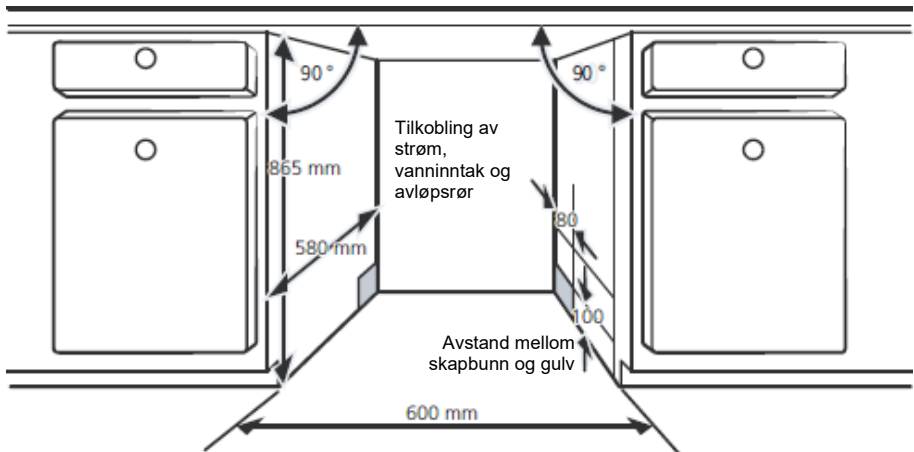
Integrering (for integrert modell)

Trinn 1. Valg av det mest egnede stedet for oppvaskmaskinen

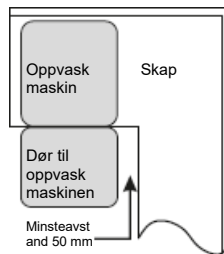
Oppvaskmaskinen må installeres i nærheten av et vanninntak og avløpsrør, samt en stikkontakt.

Illustrasjonene nedenfor viser målene ved montering og installasjon av oppvaskmaskinen.

1. Mindre enn 5 mm mellom toppen på oppvaskmaskinen og arbeidsbenken. Ytterveggen skal være oppstilt langs skapveggen.



2. Hvis oppvaskmaskinen installeres nær et hjørne må det være en viss avstand til veggen slik at døren kan åpnes.



MERKNAD:

Avhengig av hvor stikkkontakten er plassert på veggen, kan det hende at du må klippe ut en åpning i sideveggen på skapet ved siden av maskinen.

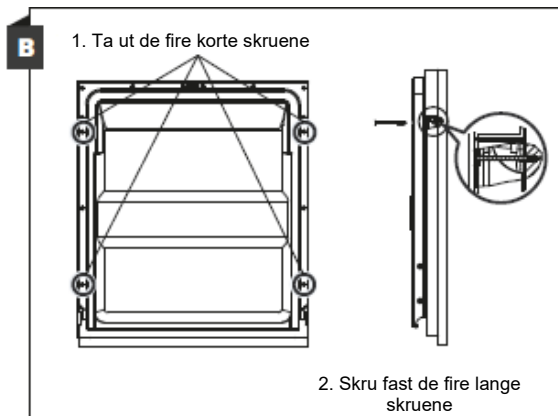
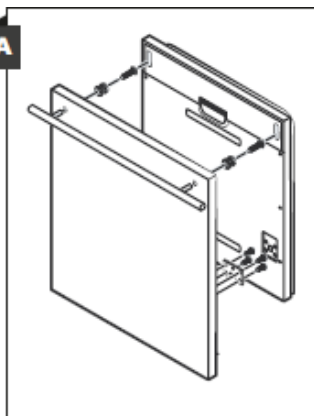
Trinn 2. Mål og montering av fronten



Følg de spesifikke monteringsinstruksene for å feste fronten til døren.

Integrerbar modell

Sett kroken på fronten (ca. 5-9 kg) og stikk den i sprekken på utsiden av døren til oppvaskmaskinen (se figur A). Etter å ha festet fronten, skru den fast til døren med skruene og mutrene (se figur B).

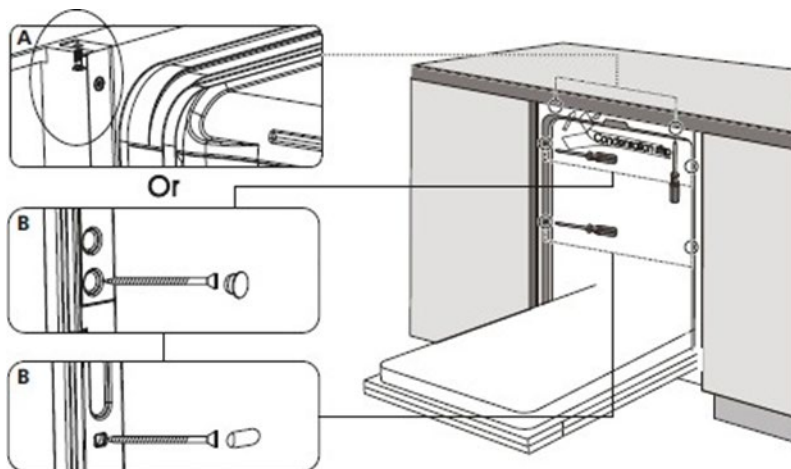


Trinn 3. Trinn for montering av oppvaskmaskinen



Se de spesifikke monteringsstrinnene forklart med illustrasjonene.

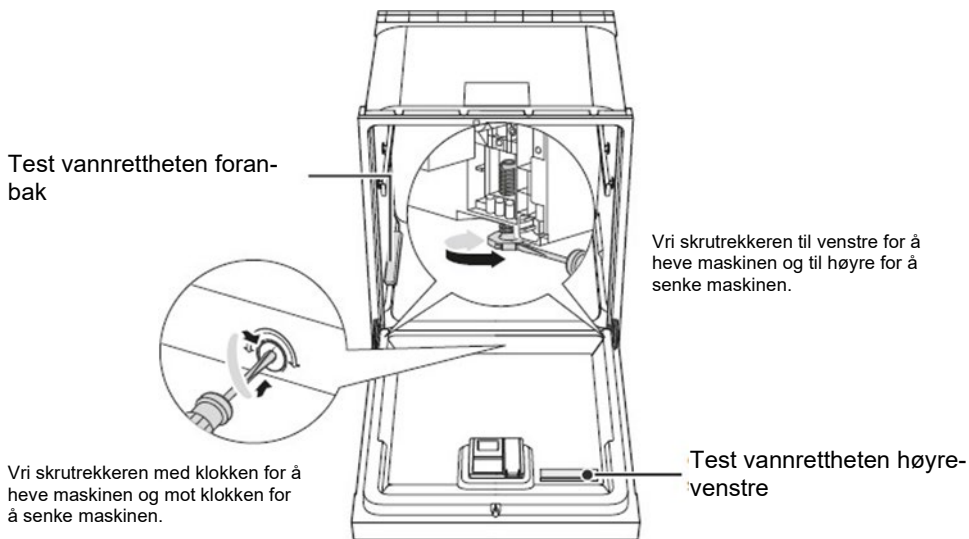
1. Fest fronten på utsiden av døren på oppvaskmaskinen. (Trinn 2 - Trinn 5)
2. Juster spenningen på dørfjærene med en unbrakonøkkel. Skru med klokken for å stramme dørfjærene på høyre og venstre side. Manglende overholdelse av denne instruksjonen kan skade oppvaskmaskinen. (Trinn 6)
3. Fest kondenslisten under arbeidsbenken. Sørg for at kondenslisten er på linje med kanten på arbeidsbenken. (Trinn 8)
4. Koble vanninntaksslengen til kaldtvannskranen. (Trinn 9)
5. Tilkoble avløpsslengen. (Trinn 9)
6. Tilkoble strømledningen. (Trinn 9)
7. Sett oppvaskmaskinen på installasjonsstedet. (Trinn 10)
8. Juster bena på oppvaskmaskinen slik at den står vannrett. Det bakre benet kan justeres fra fremsiden av oppvaskmaskinen ved å vri stjerneskruen midt på oppvaskmaskinens sokkel med en stjerneskrutrekker. Bena foran justeres med en flat skrutrekker. Skru inntil oppvaskmaskinen står vannrett. (Trinn 11)
9. Oppvaskmaskinen må festes godt. Avhengig av installasjonsstedet, kan du velge å feste den til et høyt punkt eller et punkt på siden. Følg denne fremgangsmåten: (Trinn 12)
 - A. Vanlig arbeidsbenk: Sett monteringskroken i sprekken på sidepanelet og fest den til arbeidsbenken med skruer.
 - B. Arbeidsbenk i marmor eller granitt: Fest sidepanelet med skruer.



Trinn 4. Justere vannrettheten til oppvaskmaskinen

Oppvaskmaskinen må stå vannrett slik at kurvene er balansert. Da gir maskinen best vaskeresultat.

1. Sett et vater på døren og skinnen på innsiden av maskinen som vist i illustrasjonen for å sjekke at oppvaskmaskinen står vannrett.
2. Sett maskinen vannrett ved å justere de tre justeringsbena.
3. Sørg for at oppvaskmaskinen ikke velter mens du justerer bena.



MERKNAD:

Bena kan justeres opp til maksimalt 50 mm.

FEILSØKING

Før du kontakter en tekniker

Ved å lete i tabellen nedenfor, kan du unngå å kontakte en tekniker.

Problem	Mulige årsaker	Hva kan jeg gjøre?
Oppvaskmaskinen starter ikke	En sikring har gått eller en automatsikring har slått ut.	Skift sikringen eller vipp opp automatsikringen. Frakoble alle andre elektriske apparater som er koblet til samme krets som oppvaskmaskinen.
	Apparatet er ikke tilkoblet strøm.	Sjekk at oppvaskmaskinen er koblet til strømmettet og at døren er lukket. Sjekk at strømledningen er koblet til stikkkontakten.
	Vanntrykket er lavt.	Sjekk at vanninntaket er tilkoblet og at kranen er åpen.
	Døren til oppvaskmaskinen er ikke skikkelig lukket.	Sørg for at døren er helt lukket og låst.
Oppvaskmaskinen pumper ikke vann	Avløpsslangen er klemt eller bøyd.	Sjekk at avløpsslangen ikke er klemt eller bøyd
	Filteret er tett.	Kontroller filtersystemet.
	Vasken er tett.	Sjekk at vasken på kjøkkenet ikke er tett. Hvis avløpet i vasken ikke fungerer skikkelig, bør du heller kontakte en rørlegger enn en spesialist i oppvaskmaskiner.
Skum i maskinen	Oppvaskmiddelet egner seg ikke.	Bruk kun oppvaskmidler for oppvaskmaskiner for å unngå skum. Hvis det dannes skum, åpne oppvaskmaskinen og la skummet fordampe. Ha 1 liter kaldt vann i bunnen av oppvaskmaskinen. Lukk døren til oppvaskmaskinen og velg et vilkårlig vaskeprogram. Oppvaskmaskinen starter med å tømme vannet. Åpne døren når vannet er tømt ut og sjekk at skummet har forsvunnet. Gjenta om nødvendig.

Problem	Mulige årsaker	Hva kan jeg gjøre?
	Glansemiddel er sølt utover.	Tørk alltid straks opp glansemiddel som er sølt utover.
Flekker på innsiden av maskinen	Det har blitt brukt et oppvaskmiddel med fargestoff.	Sjekk at oppvaskmiddelet ikke inneholder fargestoffer.
Hvit hinne på overflatene på innsiden av maskinen	Dette skyldes mineraler i hardt vann.	Bruk en fuktig svamp med rensemiddel for oppvaskmaskiner for å vaske innsiden av maskinen. Bruk gummihansker. Bruk aldri andre midler enn spesialmidler for oppvaskmaskiner for å unngå skumdannelse.
Rustflekker på bestikket	Det flekkede bestikket tåler ikke etsing.	Unngå å vaske bestikk som ikke tåler etsing i oppvaskmaskinen.
	En vaskesyklus ble ikke startet etter påfylling av oppvasksalt. Spor etter salt har blandet seg med vaskesyklusen.	Start alltid et hurtigprogram med tom oppvaskmaskin etter påfylling av oppvasksalt. Ikke velg Turbo-funksjon (hvis den finnes) etter påfylling av oppvasksalt.
	Lokket på avkalkeren er ikke skikkelig lukket.	Kontroller at lokket på avkalkeren er lukket.
Lyd av slag i oppvaskmaskinen	En av spylearmene slår mot et av redskapene i nedre kurv.	Sett programmet på pause og flytt redskapene som hindrer spylearmen.
Klikkelyder i oppvaskmaskinen	Bestikk har veltet i oppvaskmaskinen.	Sett programmet på pause og flytt bestikket.
Lyd av slag i vannrørene	Dette kan skyldes røropplegget eller deler av rørene.	Dette påvirker ikke vaskeresultatet. Ved tvil, kontakt en kvalifisert rørlegger.
Oppvasken er ikke ren	Oppvasken har ikke blitt satt riktig inn i oppvaskmaskinen.	Se DEL II "Forberedelse og plassering av oppvask".
	Det valgte programmet var ikke kraftig nok.	Velg et mer intensivt program.

Problem	Mulige årsaker	Hva kan jeg gjøre?
Oppvasken er ikke ren.	Utilstrekkelig oppvaskmiddel.	Tilføy oppvaskmiddel eller bytt oppvaskmiddel.
	Redskaper hindrer spylearmene i å rotere.	Flytt redskapene slik at spylearmene kan bevege seg fritt..
	Filtersystemet er ikke rent eller er ikke riktig festet i bunnen av oppvaskmaskinen. Dette kan tette igjen dysene på spylearmene.	Rengjør og/eller sett filtersystemet korrekt på plass. Rengjør spylearmene.
Uklare glass.	Mykt vann med for mye oppvaskmiddel.	Bruk mindre oppvaskmiddel hvis du har mykt vann, og velg et kortere vaskeprogram for å vaske glass.
Hvite flekker på redskapene og glassene.	Hardt vann kan medføre kalkavleiringer.	Sjekk justeringen av avkalkeren eller mengden oppvasksalt i beholderen.
Svarte eller grå flekker på oppvasken	Redskaper i aluminium har skrubbet mot oppvasken	Rengjør oppvasken med et mildt skuremiddel for å fjerne flekkene.
Rester etter oppvaskmiddel i beholderen	Redskaper hindrer lokket på beholderen i å åpne seg	Flytt oppvasken slik at lokket får fritt rom.
Oppvasken er ikke tørr	Dårlig oppstilling av redskapene	Bruk hansker hvis du finner rester etter oppvaskmiddel på oppvasken for å unngå irritert hud.
	Oppvasken ble tatt ut for tidlig	Ikke rydd oppvasken ut av maskinen rett etter vaskesyklusen. Åpne døren på gløtt slik at dampen slipper ut. Vent til temperaturen i oppvaskmaskinen har gått tilstrekkelig ned før du rydder ut oppvasken. Rydd først oppvasken ut av nedre kurv for å unngå at vann fra øvre kurv renner ned på oppvasken.

Problem	Mulige årsaker	Hva kan jeg gjøre?
Oppvasken er ikke tørr	Det valgte programmet var ikke egnet.	Vasketemperaturen er lavere for et kort vaskeprogram, noe som reduserer kvaliteten på vaskeresultatet. Velg et langt vaskeprogram.
	Bestikket har et belegg av dårlig kvalitet.	Vannet har vanskelig for å renne av belegg av dårlig kvalitet. Bestikk eller fat av denne typen egner seg ikke for vask i oppvaskmaskin.

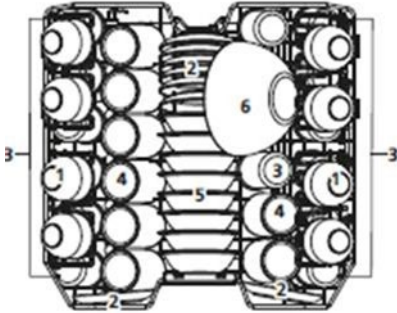
ADVARSEL

Hvis du reparerer maskinen selv istedenfor å få det utført av en fagperson, kan det få alvorlige konsekvenser for brukerens sikkerhet og påvirke garantien.

SETTE OPPVASKEN I MASKINEN IFØLGE STANDARDEN EN60436:

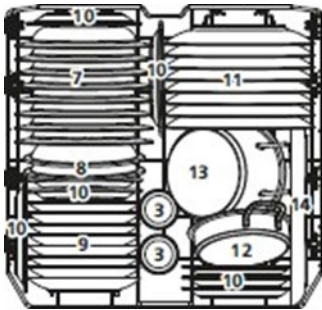
Du sparer vann og strøm hvis du fyller oppvaskmaskinen til full kapasitet.

1. Øvre kurv:



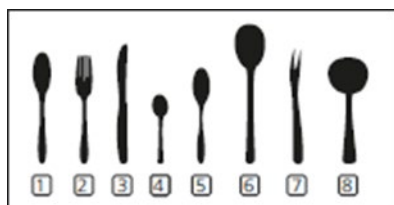
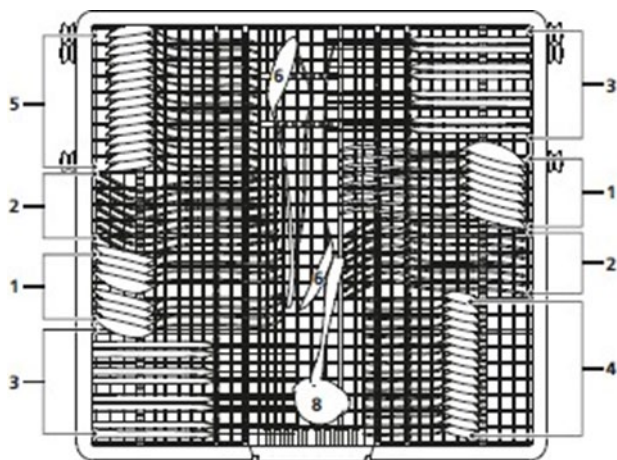
Nummer	Type oppvask
1	Kopper
2	Skåler
3	Glass
4	Store kopper
5	Dessertboller
6	Glassboller

2. Nedre kurv:



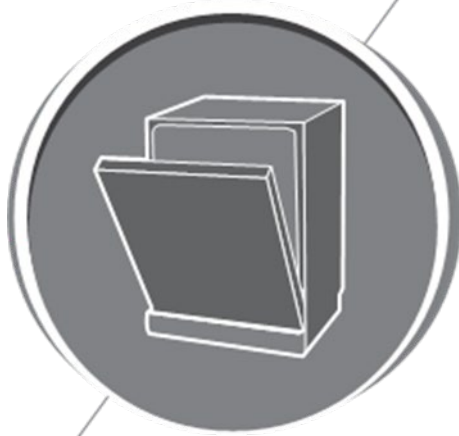
Nummer	Type oppvask
7	Suppetallerkener
8	Boller i melaminharpiks
9	Desserttallerkener
10	Desserttallerkener i melaminharpiks
11	Middagstallerkener
12	Små kjeler
13	Ovnsform
14	Avlange fat

3. Bestikkskuff:



Informasjon om sammenligningstester i samsvar med standarden EN60436
Kapasitet: dekketøy til 16 personer
Posisjon øvre kurv: lav Program: ØKO
Innstilling av glansmiddel: Maks
Innstilling av avkalker: H3

Nummer	Type oppvask
1	Spiseskjeer
2	Gafler
3	Kniver
4	Teskjeer
5	Dessertskeer
6	Serveringsskjeer
7	Serveringsgafler
8	Øser



Oppvaskmaskin

Bruksanvisning

DEL II: Spesielle instruksjer

DCJ632DQX



Vennligst les denne bruksanvisningen nøye før oppvaskmaskinen tas i bruk. Ta vare på den slik at du kan slå opp i den senere.

INNHALDSFORTEGNELSE

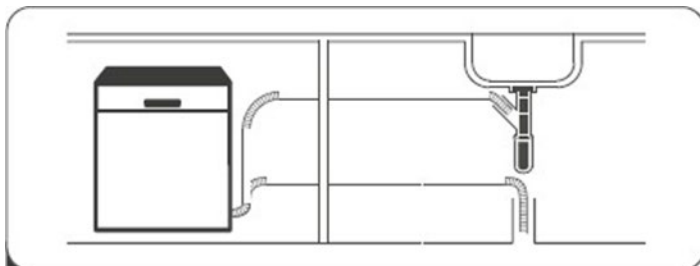
01	4	BRUKE OPPVASKMASKINEN
	4	Betjeningspanel
	6	Avkalker
	9	Forberedelse og plassering av oppvask
	12	Glansemiddelets og oppvaskmiddelets funksjon
	13	Påfylling av glansemiddel i beholderen
	14	Påfylling av oppvaskmiddel i beholderen
02	15	VALG AV PROGRAM
	15	Tabell over programmene
	16	Energisparing
	16	Starte et program
	17	Hvordan bytte program når maskinen har startet
	18	Sette inn glemt oppvask
	18	Automatisk åpning
03	19	FEILKODER
04	20	TEKNISKE OPPLYSNINGER

MERKNAD:

- Hvis du ikke kan løse problemet selv, kontakt en profesjonell tekniker.
- I henhold til produsentens retningslinjer om kontinuerlig utvikling og oppdatering av produktet, kan produsenten tilføre endringer uten forhåndsvarsel.

BRUKSANVISNING

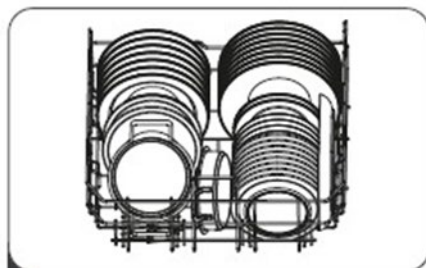
Les mer om hvordan maskinen fungerer i den relevante delen av bruksanvisningen.



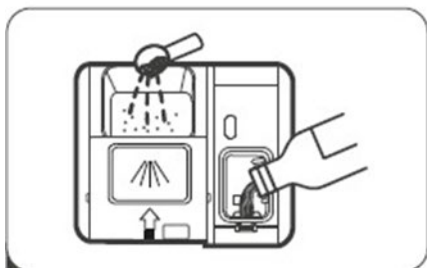
- 1** Installere oppvaskmaskinen
(Se kapittel 5 "MONTERINGSINSTRUKSER" i DEL I": Generelle instruksjer)



- 2** Test vannrettheten foran-bak



- 3** Fyll oppvask i maskinen.



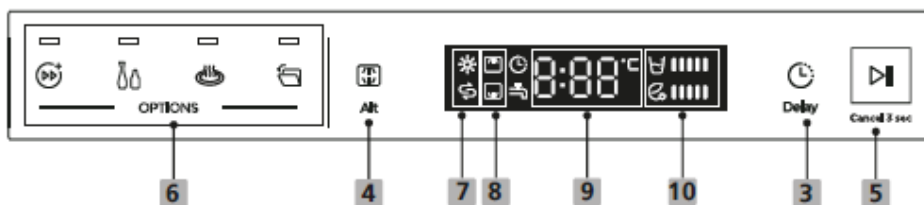
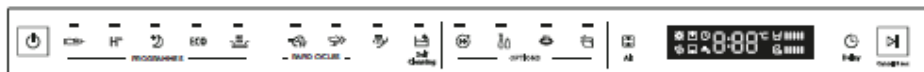
- 4** Fyll oppvaskmiddel og glansmiddel i beholderne.



- 5** Velg et egnet program og start oppvaskmaskinen.


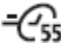








BRUKE OPPVASKMASKINEN

Betjeningspanel











Funksjon (knapp)

1 Av/på	Trykk på denne knappen for å slå på oppvaskmaskinen. Skjermen slås på.
2 Program	<p>ICS+ ICS+</p> <p>Dette programmet kontrolleres av sensorer og tilpasses til graden av skittenhet. Det passer til alle typer oppvask.</p> <p>H+ Hygiene 72°</p> <p>Dette programmet passer til alle typer oppvask og alle grader av skittenhet. Dette er den høyeste vasketemperaturen for desinfisering av oppvasken.</p> <p>☾ Stille</p> <p>Dette programmet passer til normalt skitne glass og oppvask. Det kjører stille og kan brukes om kvelden eller natten.</p>

2 Program	<p>ECO ØKO Dette standardprogrammet egner seg for normalt skitten oppvask. Dette er det mest effektive programmet med hensyn til forbruk av vann og strøm.</p> <p> 90 min For normalt skitten oppvask som må vaskes og tørkes raskt.</p> <p> Vask og tørk 55 min For normalt skitten oppvask som må vaskes og tørkes raskt.</p> <p> Hurtigvask 35 min Dette er det korteste programmet for lite skitten oppvask som ikke krever tørking.</p> <p> Forvask Kun skylling for å løse opp matrester på oppvasken som skal vaskes senere.</p> <p> Autorens Effektiv rengjøring av tom maskin.</p>
3 Utsatt start	<p>Trykk på knappen for å forsinke starttidspunktet for et program opptil 24 timer i trinn på 1 time. Når programmet er aktivert, lyser ().</p>
4 Alt	<p>Trykk på knappen for å velge vask av kun øvre eller nedre kurv eller begge to. Lampene ( ) lyser.</p>
5 Start/Pause	<p>Trykk på denne knappen for å starte det valgte vaskeprogrammet eller sette programmet på pause.</p>
6 Ekstra funksjoner	<p> Turbohastighet+ Denne funksjonen reduserer vasketiden fra 15-50 % avhengig av vasketemperatur og rotasjonshastighet. Funksjonen kan ikke velges samtidig som programmene Auto, Hurtigvask 35 min og Forvask. Hvis den kombineres med automatisk åpning, kan automatisk vask heller ikke aktiveres.</p> <p> Spyling Denne funksjonen kan brukes til vask av flasker plassert på egnet sted i øvre kurv. Denne funksjonen kan ikke velges samtidig som programmene Auto, Vask og tørk 55 mm, Forvask og Autorens.</p>

Visning

6 Ekstra funksjoner	 <p>Ekstra tørking Denne funksjonen øker temperaturen på siste skylling og forlenger tørketiden. Funksjonen kan kun velges samtidig som programmene ØKO, Hygiene 72°, Stille og 90 min.</p>  <p>Automatisk åpning Døren til oppvaskmaskinen åpnes automatisk ved slutten av programmet for å forbedre tørkeresultatet. Automatisk åpning er aktivert som standard fra fabrikk. Hvis denne funksjonen deaktiveres, gjelder dette valget selv om oppvaskmaskinen har stanset. Denne funksjonen kan ikke velges samtidig som programmene Hurtigvask 35 min, Forvask og Autorens.</p>
7 Varsellamper	 <p>Glansmiddel Hvis lampen "❄" lyser, betyr det at det er lite glansmiddel igjen i beholderen, og at du må fylle på.</p>  <p>Salt Hvis lampen "♻" lyser, betyr det at det er lite oppvasksalt igjen i beholderen, og at du må fylle på.</p>  <p>Kran Hvis lampen "⛔" lyser, betyr det av vannkranen er stengt.</p>
Andre lamper	 <p>Vasker kun øvre kurv Når du velger Øvre, vaskes kun oppvasken i øvre kurv. Spylearmen som vasker nedre kurv, vil ikke fungere.</p>  <p>Vasker kun nedre kurv Når du velger Nedre, vaskes kun oppvasken i nedre kurv. Spylearmen som vasker øvre kurv, vil ikke fungere.</p>  <p>Vasker øvre og nedre kurv samtidig Når du velger begge to, vaskes oppvasken i øvre og nedre kurv. Spylearmen øverst og nederst vil fungere vekselvis eller samtidig.</p>

Visning

9 Skjerm



Visning av resttiden av programmet, vasketemperatur og utsatt start, feilkoder osv.

Forbruksindikator



Viser vannforbruket

Indikatoren for vannforbruk viser vannforbruket for det valgte programmet. Jo flere streker som vises, desto større er vannforbruket.



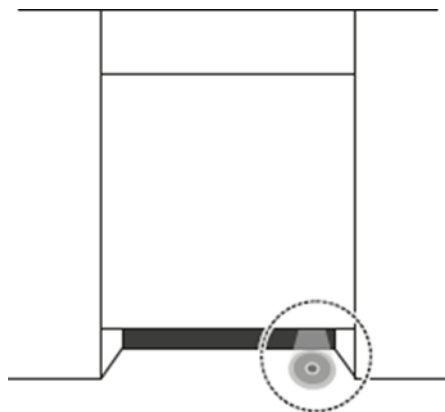
Energiforbruk

Indikatoren for strømforbruk viser strømforbruket for det valgte programmet. Jo flere streker som vises, desto større er strømforbruket.

MERKNAD:

Indikatorlamper

Indikatorlampene lyser mens vaskeprogrammet pågår, deretter blinker de i 5 minutter og slukkes ved slutten av programmet.



Avkalker

Avkalkeren må justeres for hånd med vrideren og tilpasses vannets hardhet.

Avkalkeren er beregnet på å rense vannet for mineraler og salter som kan gjøre maskinen mindre effektiv.

Jo flere mineraler, desto hardere er vannet. Hvis oppvaskmaskinen brukes med hardt vann, vil det dannes avkalkinger i maskinen.

Avkalkeren må justeres avhengig av vannets hardhet i området der du bor. Kontakt ditt lokale vannverk for å få informasjon om vannhets hardhet i din region.

MERKNAD:

Hvis din oppvaskmaskin ikke har en avkalker, kan du hoppe over dette kapittelet.

Justering av saltforbruk.

Denne oppvaskmaskinen justerer saltmengden til vannets hardhet. Funksjonen brukes til å tilpasse saltforbruket slik at det brukes nøyaktig riktig mengde.

Oppvaskmaskinen må justeres til vannets hardhet i området der du bor. Vannets hardhet påvirker saltforbruket til oppvaskmaskinen.

Følg trinnene nedenfor for å justere avkalkeren:

1. Åpne døren og slå på maskinen.
2. Senest 60 sekunder etter at maskinen har blitt slått på, trykk på knappen for automatisk rens i over 5 sekunder for å starte modusen for justering av avkalkeren.
3. Trykk på knappen for automatisk rens for å velge innstillingen som tilsvarer vannets hardhet i din region. Innstillingene vises i denne rekkefølgen: H1->H2->H3->H4->H5->H6;
4. Trykk på av/på-knappen for å lagre innstillingen og gå ut av innstillingsmodus.

VANNETS HARDHET				Innstilling av avkalkeren	Regenereringen skjer hver X. syklus ¹⁾	Saltforbruk (gram/syklus)
°dH (Tyskland)	°fH (Frankrike)	°Clarke (UK)	mmol/l			
0 - 5	0 - 9	0 - 6	0 - 0,94	H1	Ingen regenerering	0
6 - 11	10 - 20	7 - 14	1,0 - 2,0	H2	10	9
12 - 17	21 - 30	15 - 21	2,1 - 3,0	H3	5	12
18 - 22	31 - 40	22 - 28	3,1 - 4,0	H4	3	20
23 - 34	41 - 60	29 - 42	4,1 - 6,0	H5	2	30
35 - 55	61 - 98	43 - 69	6,1 - 9,8	H6	1	60

Fabrikkinnstillingen er H3.

- 1) Hver syklus med regenerering forbruker 3,0 liter ekstra vann, strømforbruker øker med 0,02 kWh og programmet varer 4 minutter lenger.



Se kapittel 3 "Påfylling av salt i avkalkeren" i DEL I": Generelle instruksjoner, hvis det mangler salt i oppvaskmaskinen.

Forberedelse og plassering av oppvask

- Husk å kjøpe tallerkener, bestikk og redskaper som tåler vask i oppvaskmaskinen.
- For skjøre gjenstander, velg et program med lavest mulig temperatur.
- For å unngå å skade oppvasken må du ikke rydde ut glass og bestikk umiddelbart etter slutten av programmet.

Denne oppvaskmaskinen er beregnet på å vaske og tørke vanlige tallerkener, bestikk og kjøkkenredskaper. Men alt kan ikke vaskes i oppvaskmaskinen.

Gjenstandene nedenfor egner seg ikke til vask i oppvaskmaskinen, og kan ta skade av slik vask:

- Bestikk i tre, porselen eller perlemor.
- Gjenstander i plast som ikke tåler varme.
- Gammelt bestikk med limte deler som ikke tåler varme.
- Bestikk eller fat med lim.
- Gjenstander i tinn eller kobber.
- Glass i krystall.
- Gjenstander i stål som kan ruste.
- Brett i tre.
- Gjenstander i syntetisk fiber.

Vennligst husk følgende:

- Enkelte typer glass kan bli matte etter et visst antall vask.
- Sølvttøy eller aluminium har en tendens til å farge av ved maskinvask.
- Lakkerte motiver kan bli matte hvis de ofte maskinvaskes..

Anbefalinger for å sette oppvask inn i maskinen

Skrap av det meste av matrestene på tallerkener og bestikk. La brente matrester i kjeler og stekepanner løse seg opp i vann. Det er ikke nødvendig å skylle fatene og tallerkenene på forhånd.

Følg disse instruksene for å sikre at oppvaskmaskinen fungerer best mulig.

(Funksjonene og utseendet til kurvene og bestikkurven kan variere avhengig av modell).

- Kopper, glass, kjeler, stekepanner osv. skal være vendt nedover.
- Bøyde gjenstander eller ting med hulrom må settes på skrå slik at vannet kan renne av.
- Alle gjenstander må plasseres på en sikker måte slik at de ikke kan velte.
- Alle gjenstander må plasseres slik at det er nok plass mellom oppvasken og spylearmene slik at de kan rotere fritt. Sjekk at spylearmene roterer fritt før du starter et vaskeprogram.
- Fat og bestikk må ikke settes oppå eller dekke til hverandre.
- Unngå at bestikk ligger inni hverandre eller dekker til hverandre, da det er viktig at vannet spyles inn fra alle kanter.
- Øvre kurv brukes til mer delikat og lettere oppvask som f.eks. glass og kopper.
- Spisse kniver eller kniver med lange blad er farlige hvis spissen peker oppover.
- Langt og/eller skarpt bestikk som f.eks. store kniver, må legges vannrett på øvre kurv.
- Ikke ha for mye oppvask i oppvaskmaskinen. Da blir vaskeresultat bedre og du sparer strøm.



MERKNAD:

Unngå å vaske svært små gjenstander i oppvaskmaskinen da de lett kan falle ned fra kurvene.

Ta ut oppvasken

For å unngå at vann fra øvre kurv renner ned i nedre kurv, anbefaler vi å begynne med å rydde ut nedre kurv.



ADVARSEL



Oppvasken kan være svært varm! La glass og skjøre gjenstander avkjøle i kurvene i oppvaskmaskinen før du tar dem ut for å unngå at de tar skade.

Øvre kurv

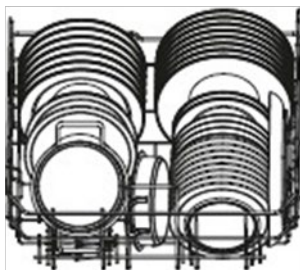
Øvre kurv brukes til mer delikate og lettere gjenstander som f.eks. glass, kopper, skåler, tallerkener, små boller og nokså flate stekepanner og kjeler.

Sett fatene og kjøkkenredskapene slik at vannspruten ikke flytter på dem.



Nedre kurv

Vi anbefaler å sette større gjenstander og ting som er vanskeligere å vaske, på nedre kurv: kjeler, stekepanner, lokk, serveringsfat og store boller, som vist i figuren. Det anbefales å sette serveringsfat og lokk på siden av kurven for å unngå at de hindrer den øvre spylearmen.



Plassering av bestikk på bestikkskuffen

Bestikket må plasseres i bestikkskuffen enkeltvis og spredt utover. Unngå at bestikket ligger oppå hverandre ellers kan det påvirke vaskeresultatet.



Vaske- og tørkeresultatet blir best om du følger de vanlige reglene for å sette oppvask inn i maskinen i siste del av DEL I: Generelle regler

Oppvaskmidelets og glansemidelets funksjon

Oppvaskmidelets funksjon

De kjemiske stoffene i oppvaskmidler for oppvaskmaskiner fjerner, bryter ned og vasker bort matrestene på oppvasken. De fleste oppvaskmidler av god kvalitet gjør dette.

ADVARSEL

- Det må kun brukes oppvaskmidler for oppvaskmaskiner. Oppvaskmidelet må oppbevares kjølig og tørt.
- Ikke fyll beholderen med oppvaskmiddel før du er klar til å starte en vaskesyklus.



**Oppvaskmidler for oppvaskmaskiner er etsende!
Oppvaskmidler for oppvaskmaskiner må oppbevares
utilgjengelig for barn.**

Glansemidelets funksjon

Glansemiddel slippes ut ved slutten av skyllingen for å unngå at vandråper tørker på oppvasken og lager merker. Middelet gjør også tørkingen mer effektiv fordi vannet renner av oppvasken. Oppvaskmaskinen er beregnet på å fungere med flytende glansemiddel.

ADVARSEL

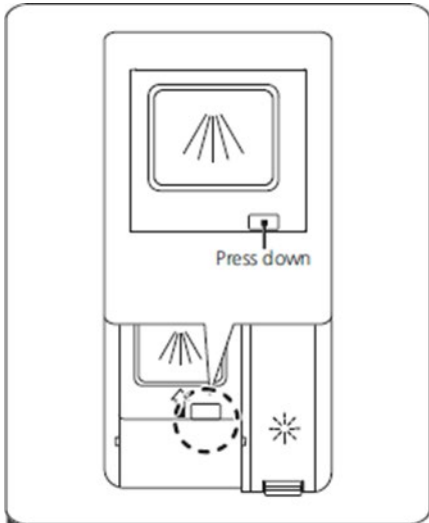
Fyll aldri andre midler enn glansemiddel i beholderen (f.eks. rensmiddel for oppvaskmaskiner, flytende oppvaskmiddel). Dette vil skade maskinen.

Når fyller du på glansemiddel i beholderen?

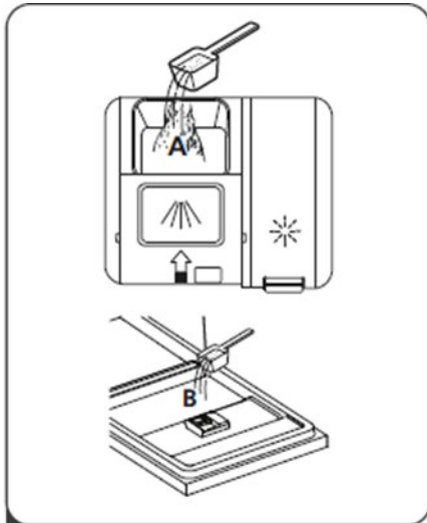
Nesten alle programmene bruker glansemiddel i slutten av skyllingen. Avhengig av hvor ofte maskinen brukes og innstillingen av glansemiddel, må du fylle på glansemiddel i beholderen.

Lampen (*) tennes når det er lite glansemiddel igjen i beholderen og den må fylles på. Ikke fyll på mer glansemiddel enn den øvre terskelen.

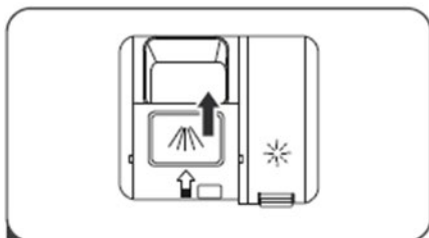
Påfylling av oppvaskmiddel i beholderen



1 Trykk på åpningsklaffen for å åpne lokket.



2 Legg til oppvaskmiddel i beholderen (A) for hovedvask. Vaskeresultatet blir best, særlig hvis oppvasken er svært skitten, hvis du heller en liten mengde oppvaskmiddel på døren (B). Dette ekstra middelet slippes ut under forvasken.



3 Skyv lokket på beholderen nedover inntil det låser seg.

MERKNAD:

- Følg produsentens anbefalinger på emballasjen til oppvaskmiddelet.

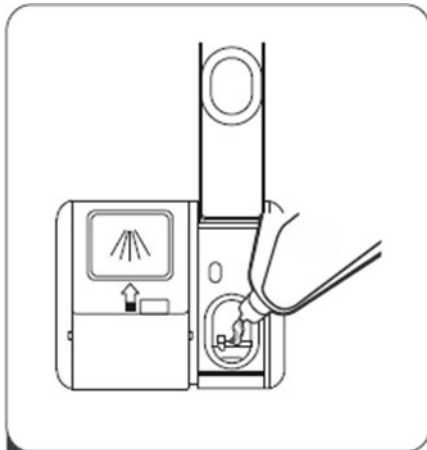
Påfylling av glansmiddel i beholderen



- 1 Åpne lokket på beholderen for glansmiddel ved å løfte håndtaket.



- 3 Lukk lokket godt etter å ha fylt beholderen.



- 2 Hell glansmiddel langsomt i beholderen. Unngå å overfylle den.
Alt glansmiddel som renner ved siden av beholderen må tørkes opp med en klut.

Innstilling av glansmiddel

Du kan justere mengden glansmiddel som brukes under siste skylling:




1. Åpne døren og slå på maskinen.
2. Senest 60 sekunder etter at maskinen har blitt slått på, trykk på knappen for Autorens i over 5 sekunder og deretter på knappen Utsatt start for å få tilgang til modusen for justering av glansmiddel. Lampen for glansmiddel begynner å blinke.
3. Trykk på nytt på knappen Autorens for å velge innstillingen som passer for deg. Innstillingene vises i denne rekkefølgen: D1->D2->D3->D4->D5->D1. Jo høyere tallet er, jo mer glansmiddel bruker oppvaskmaskinen. Fabrikkinnstillingen er D3.
4. Når riktig innstilling er valgt, vent 5 sekunder eller trykk på av/på-knappen for å lagre innstillingen og gå ut av justeringsmodus.




VALG AV PROGRAM

Tabell over programmene

Tabellen viser en oversikt over programmene.

Forbruksverdiene og programtiden er kun veiledende, unntatt for programmet ECO. (●) viser at programmet bruker glansmiddel i den siste skyllingen.

Program	Beskrivelse av programmet	Vaskemiddel til forvask/hovedvask	Varighet (min)	Strømforbruk (kWh)	Vann (liter)	Glansmiddel
ICS+ ICS+	Forvask (45°C) Vask (55- 65°C) Skylling Skylling (50- 60°C) Tørking	<u>5/19 g</u> (1 eller 2 tabletter)	102-175	0,930-1,470	10,3-16,9	●
H+ Hygiene 72°	Forvask Vask (72°C) Skylling Skylling Skylling (72°C) Tørking	<u>5/19 g</u> (1 eller 2 tabletter)	225	1,925	16,7	●
 Stille	Forvask Vask (60°C) Skylling Skylling Skylling (50°C) Tørking	<u>5/19 g</u> (1 eller 2 tabletter)	230	1,330	16,7	●
ECO (*EN60436)	Vask (50°C) Skylling Skylling (45°C) Tørking	<u>24 g</u> (1 eller 2 tabletter)	205	0,769	9,5	●
 90 min	Forvask Vask (0) Skylling Skylling (50) Tørking	<u>5/19 g</u> (1 eller 2 tabletter)	90	0,940	13,6	●
 Vask og tørk 55 min	Vask (60°C) Skylling Skylling (50°C) Tørking	<u>24 g</u> (1 tablett)	55	0,795	11,3	●

Program	Beskrivelse av programmet	Vaskemiddel til forvask/hovedvask	Varighet (min)	Strømforbruk (kWh)	Vann (liter)	Glansmiddel
 Hurtigvask 35 min	Vask (55°C) Skylling Skylling (45°C)	18 g (1 tablett)	35	0,690	11,3	
 Forvask	Forvask	/	14	0,120	3,9	
 Autorens	Vask (70°C) Skylling Skylling (55°C)	24 g (1 tablett)	115	1,245	11,7	●

MERKNAD:

ØKO: Programmet ØKO er tilpasset vask av normalt skitten oppvask. Dette er det mest effektive programmet med hensyn til kombinert forbruk av vann og strøm, noe som gjør at programmet er i samsvar med EU-lovgivningen om miljø-design.

Tid automatisk åpning

Program Ekstra funksjon	Tid (min)								
	ICS+	Hygiene 72°	Stille	ØKO	90 min	Vask og tørk 55 min	Hurtigvask 35 min	Forvask	Autorens
Med automatisk åpning	102-175	225	230	205	90	55	/	/	/
Uten automatisk åpning	121-189	239	264	220	90	55	35	14	115

MERKNAD: Funksjonen for automatisk åpning kan ikke velges samtidig som programmene Hurtigvask 35 min, Forvask og Autorens.

Strømsparing

1. Forvask øker forbruket av vann og strøm, og anbefales derfor ikke.
2. Du forbruker vanligvis mindre vann og strøm med en oppvaskmaskin til privat bruk enn for hånd når oppvaskmaskinen brukes i henhold til anvisningene.

Starte et program

1. Trekk ut øvre og nedre kurv, sett inn oppvasken og skyv kurvene inn.
2. Fyll på oppvaskemiddel i beholderen.
3. Koble til apparatet.
4. Sørg for at vanninntaket er åpent slik at det gir optimalt trykk.
5. Åpne døren og trykk på av/på-knappen.
6. Velg et program og trykk på startknappen. Lukk døren. Oppvaskmaskinen starter programmet.

Hvordan bytte program når maskinen har startet

Et program kan kun endres hvis det startet kort tid før, ellers kan oppvaskmiddelet allerede har blitt sluppet ut eller vaskevannet med oppvaskmiddelet kan allerede ha blitt tømt ut. Hvis programmet startet kort tid før, kan du nullstille oppvaskmaskinen og fylle på oppvaskmiddel i beholderen. Slik nullstiller du oppvaskmaskinen:

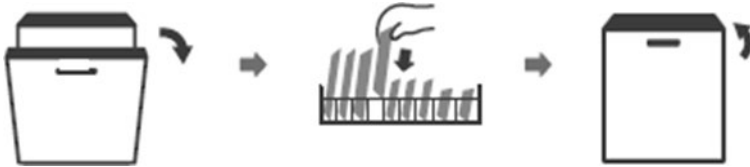
1. Åpne døren på gløtt for å sette programmet på pause. Du kan åpne døren helt når spylearmen har stanset opp.
2. Trykk på av/på-knappen i over 3 sekunder for å kunne velge et program.
3. Du kan velge et nytt program.
4. Trykk på av/på-knappen, lukk døren og oppvaskmaskinen starter på nytt.



Sette inn glemt oppvask

Du kan når som helst legge til oppvask før oppvaskmiddelet har blitt sluppet ut. Følg instruksene nedenfor for å gjøre dette:

1. Åpne døren på gløtt for å stanse vaskeprogrammet.
2. Du kan åpne døren helt opp når spylearmen har stanset opp.
3. Sett det du har glemt inn i oppvaskmaskinen.
4. Lukk deretter døren.
5. Oppvaskmaskinen starter på nytt.



⚠ ADVARSEL

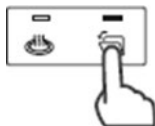


Det er farlig å åpne døren mens maskinen kjører: varm damp slipper ut og du kan brenne deg.

Automatisk åpning

Ved slutten av programmet åpner døren seg automatisk for å tørke oppvasken mer effektivt og redusere strømforbruket under tørkingen.

Du kan trykke på knappen Automatisk åpning for å aktivere eller deaktivere funksjonen Automatisk åpning.



💡 MERKNAD:

Døren til oppvaskmaskin skal ikke være låst når den er innstilt på automatisk åpning. Dette kan forstyrre låsefunksjonen.

FEILKODER

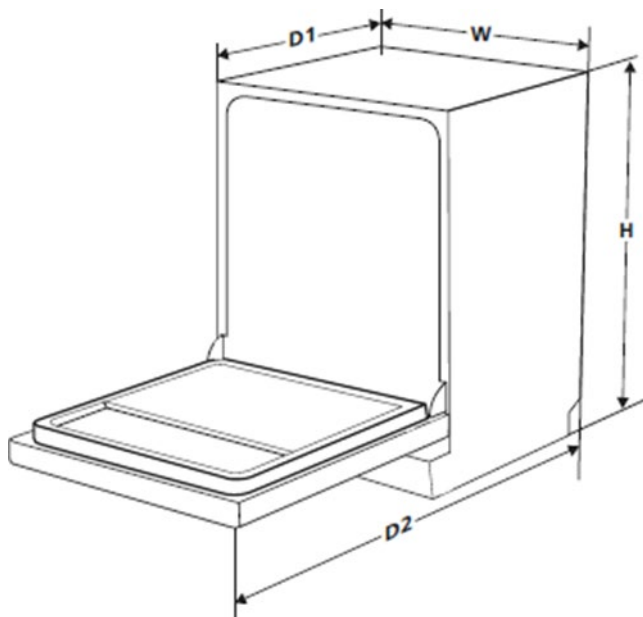
Hvis det skjer en feil, viser oppvaskmaskinen en feilkode. Tabellen nedenfor viser mulige feilkoder og årsakene til dem.

Kode	Forklaring	Mulige årsaker
E1	For lang forsinkelse før vannet kommer	Kranen er stengt, vanninntaket er forhindret eller vanntrykket er for lavt
E3	Vannet holder ikke nødvendig temperatur	Feilfunksjon i varmeelementet
E4	Overflyt	En del av oppvaskmaskinen lekker
Ec	Feil på systemet for vaskekontroll	Feil på kretskortet, avløpsspumpen eller motoren
Ed	Kommunikasjonsfeil mellom hovedkretskortet og visningskretskortet	Åpen krets eller kortslutning i kommunikasjonen

ADVARSEL

- Ved overflyt, stopp vanninntaket før du kontakter en tekniker.
- Hvis det er vann i bunnen av maskinen etter overflyt eller en liten lekkasje, tørk opp vannet før du starter oppvaskmaskinen på nytt.
- Kontakt en fagperson hvis en feilkode ikke kan rettes opp.

TEKNISKE OPPLYSNINGER



Høyde (H)	857 mm
Bredde (W)	598 mm
Dybde (D1)	550 mm (med lukket dør)
Dybde (D2)	1226 mm (dør åpen 90°)

TILGANG DATABASE

Du finner informasjon om din modell i databasen over produkter i samsvar med forordning (EU) 2019/2017 om energimerking, på nettstedet: <https://eprel.ec.europa.eu/>

Søk etter referansen til maskinen din på nettstedet ved å legge inn servicereferansen som står på maskinens merkeskilt.

Du kan også få denne informasjonen ved å bruke QR-koden på energietiketten på produktet.

Kundeservice

- **REPARASJONER**

Eventuelle reparasjoner på apparatet må utføres av en fagperson som er kvalifisert til å reparere merket. Når du kontakter kundeservice, må du oppgi alle referansene til maskinen (modell, type, serienummer). Disse referansene står på merkeskiltet. Du kan kontakte oss fra mandag til lørdag fra kl. 8.00 til 20.00 på 06 69 39 34 34 (gratis tjeneste, du betaler bare anropet).

- **ORIGINALE DELER**



Brandt France, Service
Consommateurs – **De Dietrich** –
5 avenue des Béthunes, BP 69526
St Ouen L'Aumône, 95060 Cergy
Pontoise Cedex

> eller ring oss på:

De Dietrich: 0892.02.88.04*

0,50 € inkl. mva./min fra en fasttelefon

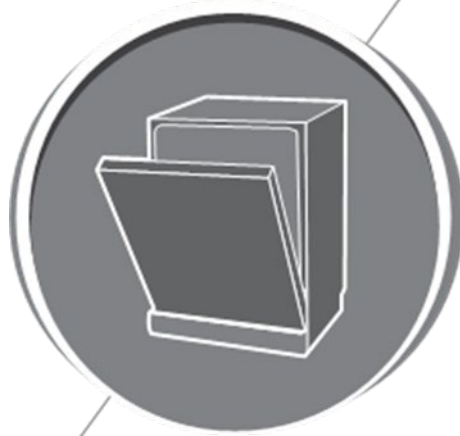
* Tjeneste levert av Brandt France, et forenklet aksjeselskap med kapital på 1.000.000€, 89/91 boulevard Franklin Roosevelt, 92500 Rueil-Malmaison – RCS Nanterre 801 250 531

Brandt France, et forenklet aksjeselskap med kapital på 1.000.000€, og med forretningsadresse i 89/91 boulevard Franklin Roosevelt, 92500 Rueil-Malmaison, registrert i handels- og selskapsregisteret med organisasjonsnummer RCS Nanterre 801.250.531.

INFORMASJON:

Originale deler oppført på listen til forordning (EU) 2019-2022-EU må være tilgjengelige, blant annet for brukeren av apparatet, i minst 10 år på vilkårene som står i denne forordningen.

De Dietrich 



Diskmaskin

Bruksanvisning

DEL I: Allmänna anvisningar

Läs denna bruksanvisning noga innan du använder diskmaskinen. Spara den för framtida referens.

INNEHÅLLSFÖRTECKNING

01	3	SÄKERHETSFÖRESKRIFTER
02	8	PRESENTATION AV MASKINEN
03	9	ANVÄNDA DISKMASKINEN
	9	Fylla på salt i avhärtningsfiltret
	11	Råd för att fylla korgarna
	13	Stor och mångsidig utrustningshylla
04	14	UNDERHÅLL OCH RENGÖRING
	14	Utvändigt underhåll
	14	Invändigt underhåll
	17	Underhåll av diskmaskinen
	18	INSTALLATIONSANVISNINGAR
05	18	Angående elanslutning
	19	Vatteninlopp och avlopp
	20	Ansluta avloppsslangen
	21	Placering av diskmaskinen
	21	Inbyggnad (för inbyggd modell)
06	25	FELSÖKNINGSGUIDE
07	28	Tillgång till reservdelar
	29	FYLLA KORGARNA



- Under rubriken Felsökningsguide finns information som kan hjälpa dig att själv åtgärda några av de vanligaste problemen.
- Kontakta en fackman om du inte själv kan åtgärda problemet.
- I enlighet med tillverkarens strävan efter att ständigt utveckla och uppdatera produkten, kan denne utan föregående meddelande utföra ändringar.

SÄKERHETSFÖRESKRIFTER

VARNING

Vid användning av diskmaskinen ska följande försiktighetsåtgärder iakttas:

- Endast behörig fackman får installera och utföra reparation på diskmaskinen
- Denna diskmaskin är endast avsedd för hushållsbruk och motsvarande användning, som:
 - kök i butiker, kontor och andra arbetsmiljöer,
 - lantbruksverksamheter,
 - hotell, motell, bed and breakfast och andra bostadsmiljöer, eller
 - gästhem.
- Barn som är åtta år eller äldre, personer med nedsatt fysisk, sensorisk eller mental förmåga samt personer utan relevant erfarenhet eller kunskap, får använda diskmaskinen endast under övervakning och ansvar av en erfaren person eller om de har instruerats i att använda diskmaskinen på ett säkert sätt och förstår riskerna.
- Barn får inte leka med diskmaskinen. Rengöring och underhåll får inte utföras av barn utan tillsyn. (för SS-EN 60335-1)
Denna diskmaskin är inte avsedd att användas av personer (inklusive barn) med nedsatt fysisk, sensorisk eller mental förmåga eller personer som saknar erfarenhet eller kunskaper (inklusive barn), såvida dessa inte hålls under uppsikt av någon som ansvarar för deras säkerhet eller de fått anvisningar om hur diskmaskinen ska användas.
- Förpackningsmaterialet kan vara farligt för barn!

- Denna diskmaskin är avsedd för hushållsbruk.
Undvik risk för elstöt genom att aldrig sänka ned diskmaskinen, kabeln eller kontakten i vatten eller annan vätska.
- Koppla från diskmaskinen före all rengöring och underhåll.
- Undvik fara genom att alltid låta en skadad nätsladd bytas ut av tillverkaren, auktoriserad reparatör eller en person med liknande kompetens.



Anvisningar för jordning

- Denna diskmaskin måste jordas. Vid fel eller skada begränsar jordningen risken för elstöt genom att erbjuda en väg med lågt strömmotstånd. Denna diskmaskin är utrustad med en jordad kontakt.
- Kontakten måste anslutas till en lämplig källa som är installerad och jordad i enlighet med alla lokala föreskrifter.
- Felaktig anslutning av jordledaren kan medföra risk för elstöt.
- Kontakta en behörig elektriker eller företrädare för serviceavdelningen om du är osäker på diskmaskinens jordning.
- Ändra inte den elkontakt som medföljer diskmaskinen om den inte skulle svara mot eluttaget.
- Låt en behörig elektriker installera ett relevant uttag om detta inte är lämpligt för kontakten.
- Var noga med att inte sätta dig eller stiga upp på luckan eller diskmaskinens korgar och hantera dem inte ovarsamt.
- Använd inte diskmaskinen om inte alla väggar är ordentligt installerade.
- Var försiktig när du öppnar diskmaskinens lucka när denna är i gång: vatten kan läcka ut.
- Var noga med att inte placera tunga föremål och att inte stiga upp på luckan när den är öppen. Diskmaskinen kan välta.

- När du fyller diskmaskinen med smutsig disk:
 - 1) Placera vassa föremål så att de inte kan skada luckans packning.
 - 2) OBS: knivar och annan skärande utrustning kan läggas i bestickkorgen med spetsen nedåt eller liggande.
- Vissa diskmedel för diskmaskiner är mycket alkaliska. De kan vara oerhört farliga att förtära. Undvik all kontakt med ögon och hud och håll barn på avstånd från diskmaskinen när luckan är öppen.
- Verifiera efter varje diskprogram att det inte finns några diskmedelsrester kvar.
- Se till att alla plastredskap är märkta "diskmaskinssäkra" eller något liknande innan du diskar dem i diskmaskinen.
- Verifiera tillverkarens rekommendationer för plastredskap som inte har sådan märkning.
- Använd endast diskmedel och spolglansmedel som rekommenderas för automatiska diskmaskiner.
- Använd aldrig tvål, tvättmedel eller handtvättmedel i diskmaskinen.
- Stäng alltid apparatens lucka för att undvika fallrisk.
- Var när du installerar diskmaskinen noga med att inte böja eller klämma fast nätsladden på ett farligt sätt.
- Ändra inte reglagen.
- Diskmaskinen ska anslutas till huvudmatningsventilen för vatten med nya slangar. Återanvänd inte gamla slangar.
- För att spara energi stängs diskmaskinen av automatiskt efter en kvart i vänteläge, om ingen åtgärd utförs.
- Denna produkt rymmer högst 16 kuvert.
- Vattentrycket vid inloppet ska vara 0,04-1 MPa.

Kassering

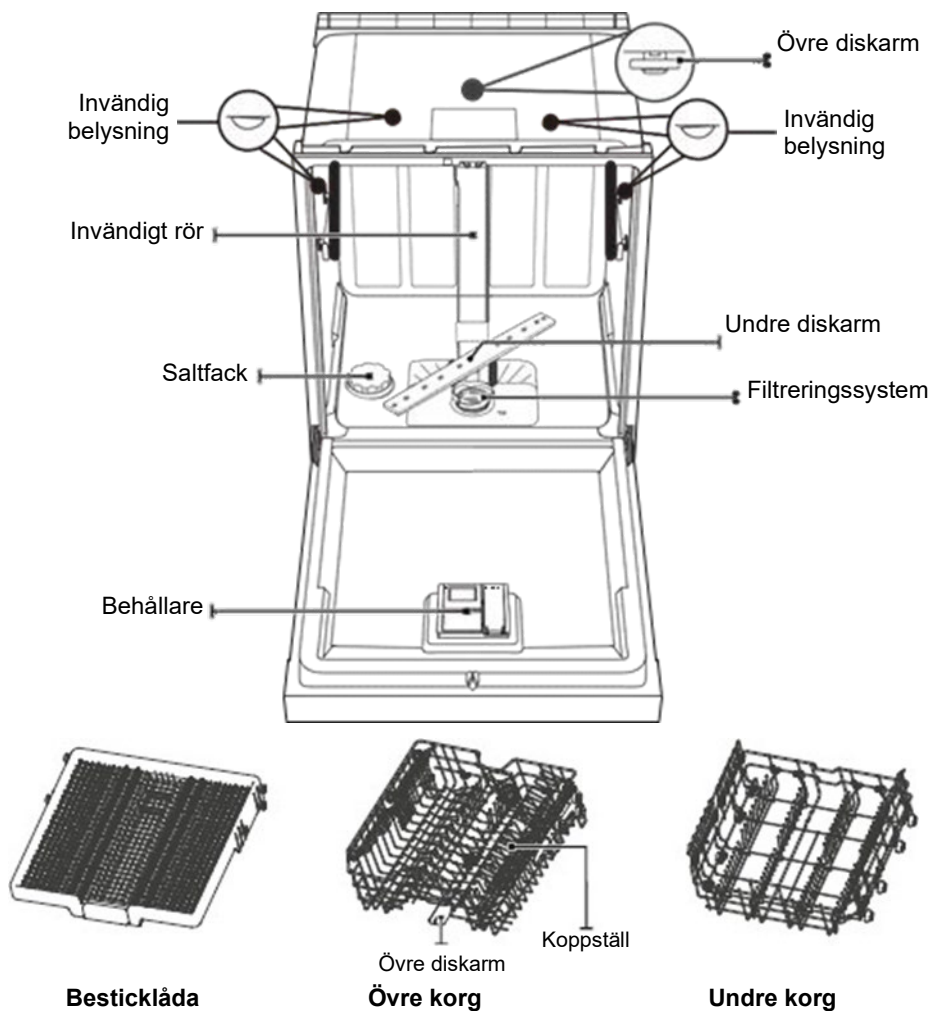
- Vänd dig till en återvinningscentral för att kassera diskmaskinen och dess emballage. För att göra det måste du klippa av nätsladden och göra luckans stängningssystem obrukbart.
- Kartongemballaget är tillverkat av återvunnet papper och måste bortskaffas tillsammans med pappersavfall för att återvinnas.
- Genom att bortskaffa diskmaskinen på rätt sätt och se till att avfall hanteras optimalt, bidrar du till att skydda miljön och människors hälsa.
- Kontakta kommunen eller din lokala återvinningscentral för mer information om återvinning av denna produkt.
- **KASSERING: Kasta inte denna diskmaskin med osorterat hushållsavfall. För att kunna behandlas på lämpligt sätt måste denna diskmaskin bortskaffas separat.**



PRESENTATION AV MASKINEN

❶ VIKTIGT:

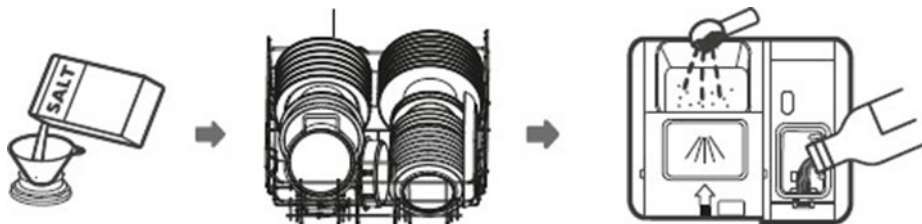
Läs alla föreskrifter för användning före första användning för att säkerställa att diskmaskinen fungerar optimalt.



Illustrationerna är endast indikativa. Utseendet kan skilja sig beroende på modell.

ANVÄNDA DISKMASKINEN

Innan du använder diskmaskinen:



1. Ställ in avhärtningsfiltret
2. Fyll på salt i avhärtningsfiltret
3. Fyll korgarna
4. Fyll diskmedelsfacket



Se avsnitt 1, Avhärtningsfilter, i DEL II/Särskilda anvisningar för att ställa in avhärtningsfiltret.

Fylla på salt i avhärtningsfiltret

Har din modell inte något avhärtningsfilter kan du hoppa över det här avsnittet. Använd alltid salt särskilt för diskmaskiner.

Saltfacket sitter under den undre korgen och ska fyllas på så här:

⚠ VARNING

- **Använd endast salt som är särskilt avsett för diskmaskiner!**
Andra slags salt som inte särskilt tagits fram för diskmaskiner, däribland koksalt, riskerar att skada avhärtningsfiltret. Vid skada på diskmaskinen på grund av att olämpligt salt använts, upphör tillverkarens garanti att gälla och denne kan inte hållas ansvarig för eventuell skada.
- **Var noga med att endast tillsätta salt före ett diskprogram.**
Man undviker då att saltkorn eller saltvatten som eventuellt spills ut och en längre tid ligger kvar på diskmaskinens botten medför att ytan korroderar.

Gör på följande sätt för att fylla på särskilt salt för diskmaskiner:



1. Ta ut den undre korgen och skruva av saltfackets lock.
2. Placera änden av tratten (om sådan medföljer) i hålet och håll i c:a 0,6 kg diskmaskinssalt.
3. Fyll saltfacket med vatten upp till maxnivån. Det är normalt att lite vatten rinner ut ur saltfacket.
4. Skruva på locket och dra åt ordentligt efter att ha fyllt på.
5. Kontrollampa för saltvarning slocknar när saltfacket fyllts på.

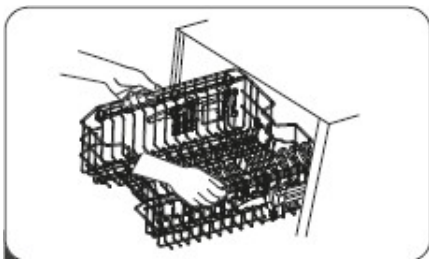
Starta ett diskprogram (vi rekommenderar ett kort program) omedelbart efter att saltfacket fyllts på. Detta för att förhindra att filtreringssystem, pump eller någon annan viktig komponent av diskmaskinen skadas av saltvatten. Skada på grund av saltvatten täcks inte av garantin.

ANMÄRKNING:

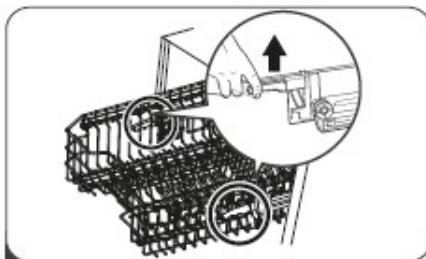
- Saltfacket får endast fyllas på när kontrollampa för salt (S) på inställningspanelen tänds. Beroende på hur snabbt saltet löses upp kan varningslampan för salt fortsätta att lysa även efter att facket fyllts på. Finns ingen kontrollampa för salt på inställningspanelen (vissa modeller) kan man avgöra när salt behöver fyllas på i avhärtningsfiltret, beroende på hur många diskprogram maskinen har kört.
- Kör ett blötlägnings- eller snabbprogram om du hållt salt bredvid facket, för att ta bort det.

Råd för att fylla korgarna

Ställa in den övre korgen



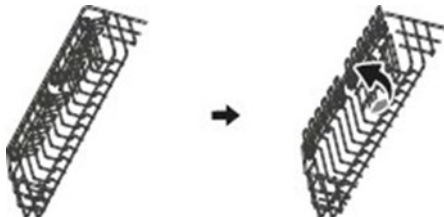
1 För att höja den övre korgen behöver man bara lyfta mitt på båda sidor tills den låser fästs i högt läge. Inställningshandtagen behöver inte lyftas upp.



2 För att sänka ned övre korgen lyfter du i de båda inställningshandtagen på sidorna för att frigöra korgen och ställa den i lågt läge.

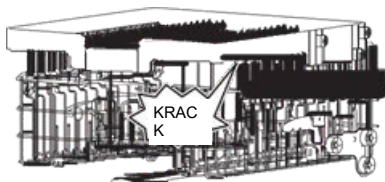
Fälla ned koppstället

Fäll koppstället uppåt för att skapa mer plats i den övre korgen för större föremål. Man kan då ställa större glas mot detta ställ. Man kan också ta bort det om det inte behövs.



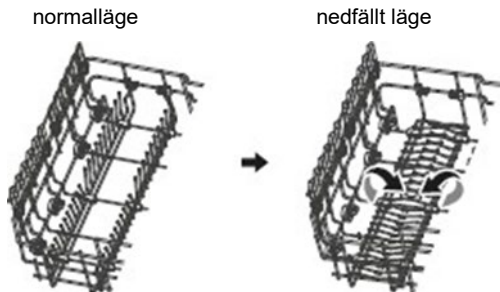
⚡ ANMÄRKNING:

När den övre korgen låst fast i högt läge kan koppstället inte längre fällas ned.



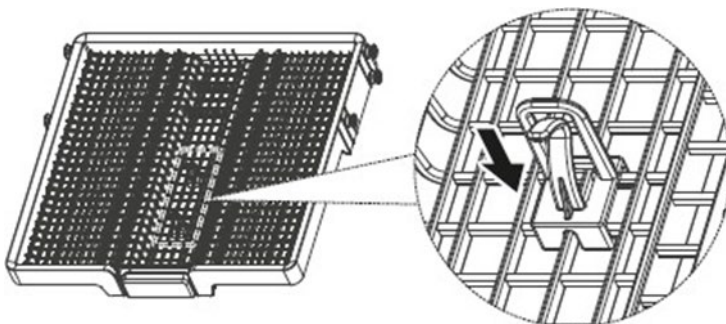
Fälla ned pinnarna

Den undre korgens pinnar kan användas för att ställa tallriker och fat mot. De kan fällas ned för att ge plats för större fat.

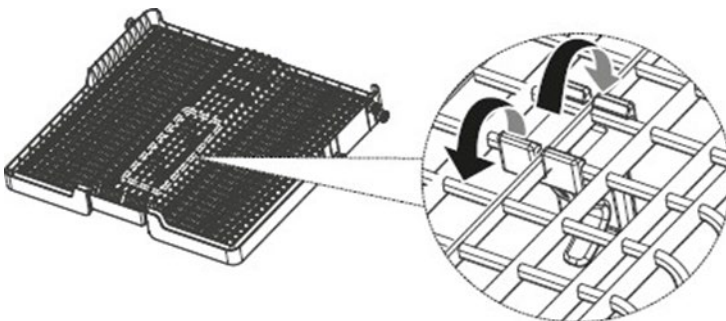


Napphållare

Hållaren fästs genom att trycka fast den på relevant plats enligt bilden. Den kan användas för att hålla fast små föremål, som en napp.



Ta bort hållaren genom att underifrån lossa de två tungorna enligt bilden.



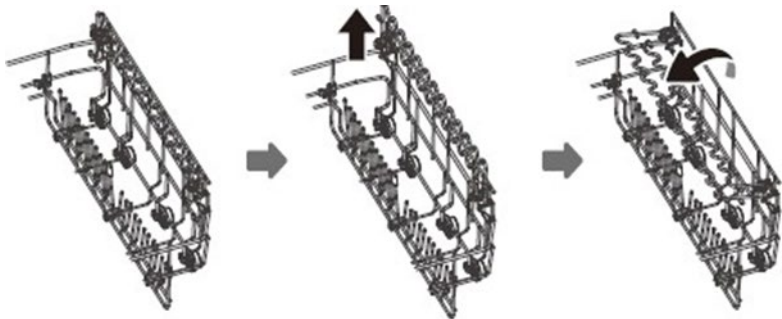
Stor och mångsidig utrustningshylla

För att på ett smidigt och säkert sätt lägga i stor utrustning, som ugnsplåtar och skärbrädor. Passar även för stora vinglas.



Dra i hållaren och ta ut den för att kunna använda den.

Man kan fälla ned hållaren om den inte behövs. Nedfälld tar den ingen extra plats.



UNDERHÅLL OCH RENGÖRING

Utvändigt underhåll

Lucka och luckpackning

Rengör regelbundet luckpackningarna med en fuktig trasa som inte repar och avlägsna alla matrester.

När man fyller diskmaskinen händer det att matrester eller vätska lämnar fläckar på luckans sidor. Dessa ytor befinner sig utanför diskzonen och nås inte av det vatten som kastas ut av diskarmarna.

Man bör torka bort eventuella rester innan man stänger luckan.

Inställningspanel

Rengör inställningspanelen endast med en fuktig trasa som inte repar.

VARNING

- Undvik att vatten tränger in i luckans låsmekanism och elektroniska komponenter, genom att aldrig använda rengöringsmedel i sprejform.
- Använd aldrig frätande rengöringsmedel eller skursvampar på utvändiga ytor, då de riskerar att repa ytorna. Även vissa allrengöringsmedel kan repa ytan eller lämna märken.

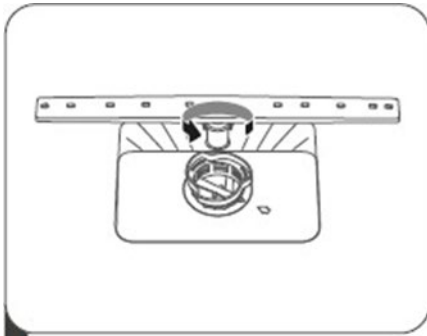
Invändigt underhåll

Filtreringssystem

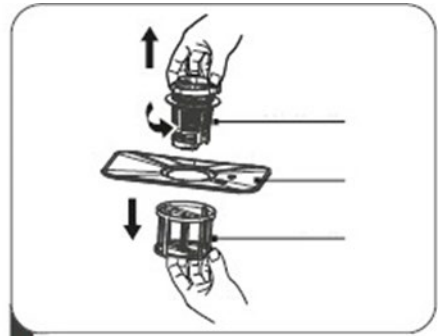
Filtreringssystemet sitter undertill på maskinen och fångar upp grov smuts under diskprogrammet, däribland främmande föremål som tandpetare och glasbitar. De rester som fångas upp kan sätta igen filtren. Kontrollera regelbundet (varje månad) filtrens skick. Ta omsorgsfullt bort alla främmande föremål och rengör vid behov delarna till vattenfiltreringssystemet. Gör så här för att rengöra filtret.

ANMÄRKNING:

Illustrationerna är endast indikativa. Utseendet kan skilja sig beroende på modell av filtreringssystem och diskarmar.



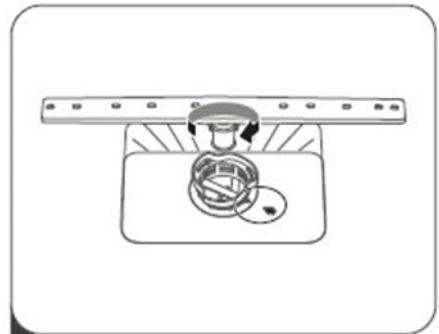
1 Håll i primärfiltret och vrid det moturs för att frigöra det. Lyft upp filtret och ta ut det ur diskmaskinen.



2 Man kan ta ut det fina filter som sitter längst ned i filtreringssystemet. Demontera primärfiltret genom att trycka försiktigt på tungorna som sitter upptill innan du tar ut filtret.



3 Skölj filtret under rinnande vatten för att få bort det mesta av matresterna. Använd en hushållsborste som inte repar för att rengöra grundligare.



4 Montera tillbaka filtren genom att utföra stegen för demontering i omvänd ordning, sätt tillbaka filtreringssystemet och vrid det medurs till pilen som anger att det är stängt.

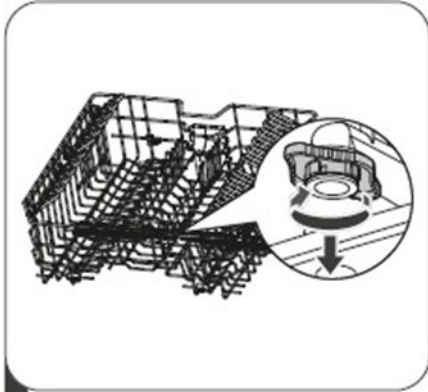
⚠ VARNING

- Dra inte åt filtren för hårt. Montera tillbaka filtren i rätt ordning och skruva åt ordentligt för att undvika att stora rester kommer in i systemet och gör att det blockeras.
- Använd aldrig diskmaskinen utan filtren. Ett filter som satts i fel kan ge diskmaskinen sämre prestanda och skada disken.

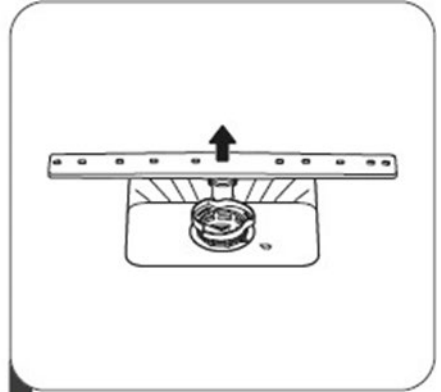
Diskarmar

För att förhindra att kemiska partiklar från hårt vatten täpper till diskarmarnas munstycken och lager måste diskarmarna regelbundet rengöras.

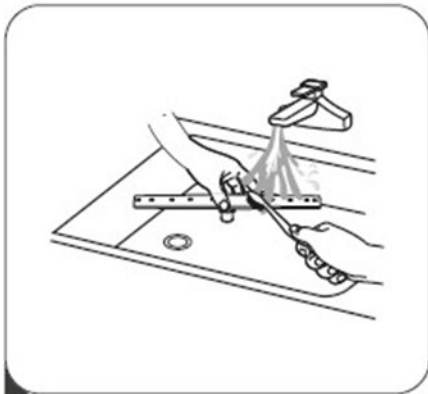
Följ nedanstående anvisningar för att rengöra diskarmarna:



- 1 Håll i muttern i mitten och vrid den övre diskarmen moturs för att ta bort den.



- 2 Dra den undre diskarmen uppåt för att ta ut den.



- 3 Diska armarna i ljummen tvällösning och rengör munstyckena med en mjuk borste. Skölj av dem väl och sätt sedan tillbaka dem på plats.

Underhåll av diskmaskinen

Försiktighetsåtgärder mot frost

Tänk på att vidta försiktighetsåtgärder för att skydda diskmaskinen mot frost under vintern. Följ nedanstående förfarande efter varje diskprogram:

1. Gör diskmaskinen strömlös genom att bryta matningen vid strömkällan.
2. Stäng av vatteninloppet och koppla från vatteninloppsröret från matningskranen.
3. Töm ut vattnet ur vatteninloppsrör och matningskran (använd en kastrull för att samla upp vattnet).
4. Anslut åter vatteninloppsröret till matningskranen.
5. Ta bort filtret i botten av diskmaskinen och torka upp resterande vatten i tanken.

Efter varje disk

Stäng av vattenmatningen efter varje diskning och lämna luckan på glänt så att fukt och dålig lukt kan vädra ut.

Dra ur kontakten

Dra ur kontakten före all rengöring och underhåll.

Rengöring utan lösnings- eller frätande medel

Använd inte lösningsmedel eller slipande rengöringsmedel för att rengöra diskmaskinens utsida och gummidelar. Håll dig till en trasa fuktad med ljummen tvållösning.

Använd en trasa fuktad med vatten och lite vinäger eller en rengöringsprodukt särskilt för diskmaskiner för att avlägsna spår från invändiga ytor.

Om diskmaskinen inte ska användas under längre tid

Vi rekommenderar att man kör ett diskprogram med tom maskin, drar ur kontakten, stänger av vattentillförseln och lämnar luckan på glänt. Det gör att luckans packningar håller längre och hindrar att dålig lukt uppstår i maskinen.

Flytta diskmaskinen

Försök hålla diskmaskinen upprätt om du måste flytta den. Om det är absolut nödvändigt kan man lägga den på rygg.

Packningar

En av de faktorer som ger upphov till dålig lukt i diskmaskinen är förekomst av matrester i packningarna. Genom regelbunden rengöring av packningarna med en fuktig svamp undviker man detta.

INSTALLATIONSANVISNINGAR

⚠ VARNING



Risk för elstöt

Bryt strömförsörjningen innan du installerar diskmaskinen.

Underlåtelse att respektera denna anvisning medför risk för dödsfall eller elstöt.

⚠ OBS!

Anslutningar av slangar och elutrustning ska göras av fackmän.

Angående elanslutning

⚠ VARNING

För din säkerhets skull:

- Använd inte någon förlängningssladd eller adapter med denna diskmaskin.
- Var oavsett omständigheter noga med att aldrig bryta eller avlägsna jordningsanslutningarna.

Strömförsörjning

Se diskmaskinens märkskylt för att veta vilken spänning som krävs för att ansluta den till en lämplig strömkälla. Använd erforderlig säkring på 10 A/13 A/16 A, rekommenderad trög säkring eller jordfelsbrytare och skapa en separat krets för denna diskmaskin.

Verifiera att matningens spänning och frekvens svarar mot den som anges på märkskylten. Var noga med att inte ansluta kontakten till elnätet förrän jordningen är garanterad. Byt ut det eluttag diskmaskinen ska anslutas till om det inte är lämpligt, i stället för att använda en adapter eller någon annan anordning som skulle kunna orsaka överhettning och brännskada.

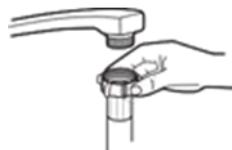
⚠ **Säkerställ att det finns en jordförbindelse innan du använder diskmaskinen**

Vatteninlopp och avlopp

Ansluta till kallvatten

Anslut inloppsslangen för kallvatten till en 3/4 gängad anslutning och se till att den är väl åtdragen.

Låt vattnet rinna för att säkerställa att det är klart om vattenslangarna är nya eller inte har använts på länge. Denna försiktighetsåtgärd är nödvändig för att undvika risk för att vatteninloppet blockeras och skadar apparaten.



Vanlig vatteninloppsslang



Säkrad vatteninloppsslang

Angående den säkrade vatteninloppsslangen

Den säkrade vatteninloppsslangen har dubbla väggar. Systemet blockerar vattenmatningen om slangens väggar är skadade eller om det luftlås som sitter mellan vatteninloppet och den yttre slangens väggar är vattenfylld.

⚠ VARNING

En slang fäst vid en kran kan explodera om den är installerad på samma vattenmatning som diskmaskinen. Vi rekommenderar att man demonterar slangens yttre del och sätter för öppningen om detta är fallet med din diskho.

Gör så här för att ansluta den säkrade slangens för vatteninlopp

1. Ta ut de säkrade slangarna för vatteninlopp från förvaringsfacket baktill på diskmaskinen.
2. Skruva fast den säkrade inloppsslangen för vatten i kranen med hjälp av en 3/4 gängad koppling.
3. Öppna kranen för vatteninlopp helt innan du startar diskmaskinen.

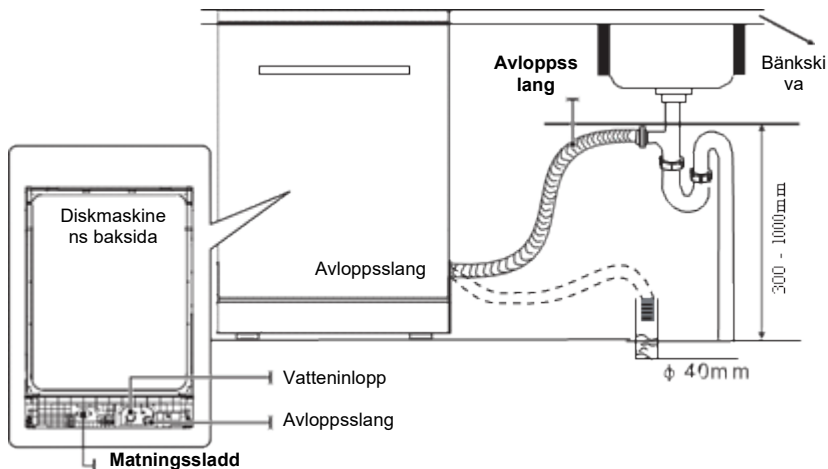
Gör så här för att demontera den säkrade slangens för vatteninlopp

1. Stäng av vattnet.
2. Skruva loss den säkrade slangens för vatteninlopp från kranen.

Ansluta avloppsslangen

För in avloppsslangen i ett avloppsrör med minst 4 cm diameter eller låt den rinna ut i diskhon. Var noga med att den inte böjs eller kommer i kläm. Avloppsrörets höjd får vara högst 1 000 mm. För att undvika återlopp får slangens ände inte sänkas ned i vatten.

 Fäst avloppsröret i läge A eller B så att det sitter stadigt.



Gör så här för att tömma ut överskjutande vatten ur slangarna

Sitter avloppsslangens koppling högre än 1 000 mm kan överskottsvatten ansamlas i avloppsslangen. Överskottsvattnet måste då tömmas ut i en skål eller annan lämplig behållare som hålls utanför och på en lägre nivå än diskhon.

Vattenutlopp

Anslut avloppsslangen. För att undvika vattenläckage måste avloppsröret vara rätt installerat. Säkerställ att avloppsslangen inte är böjd eller klämd.

Förlängningsslang

Var noga med att använda en liknande slang om du behöver förlänga avloppsslangen. Den får inte vara längre än fyra meter, annars kan diskmaskinens prestanda försämrast.

Placering av diskmaskinen

Montera diskmaskinen på önskad plats. Diskmaskinens baksida ska ligga an mot väggen och dess sidoväggar mot intilliggande möbler eller väggar. För att underlätta installation har diskmaskinen in- och utlopps slangar som kan placeras antingen till höger eller vänster om den.

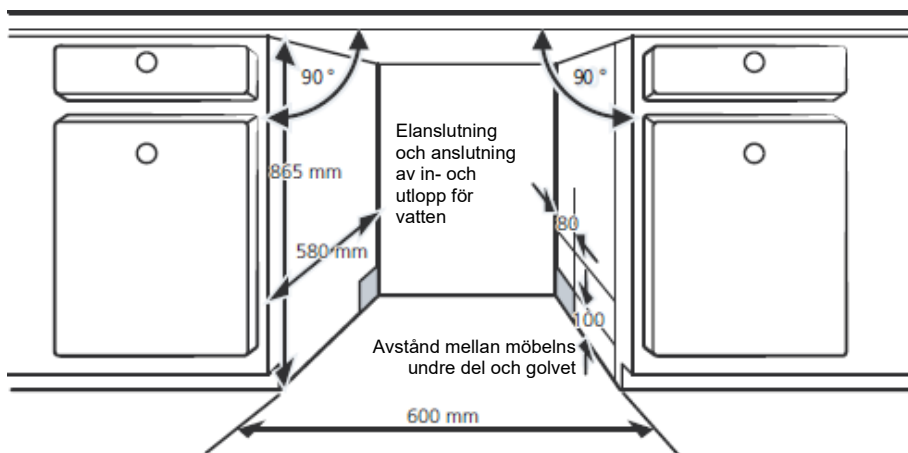
Inbyggnad (för inbyggd modell)

Steg 1. Välja den lämpligaste platsen för diskmaskinen

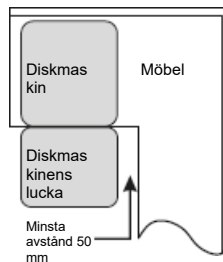
Diskmaskinen ska installeras i närheten av befintliga in- och utlopp för vatten och av ett eluttag.

Illustrationer över installationsplatsens mått och installationsplats för diskmaskinen.

1. Mindre än 5 mm mellan diskmaskinens överdel och köksbänk; ytterväggen i linje med möblerna.



2. Var noga med att hålla ett säkerhetsavstånd för att kunna öppna luckan om diskmaskinen installeras nära ett hörn.



ANMÄRKNING:

Beroende på var ditt eluttag sitter, kanske du måste göra ett urtag i den närmaste möbelns sidovägg.

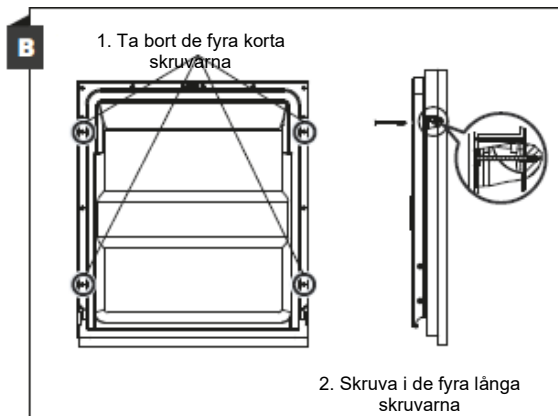
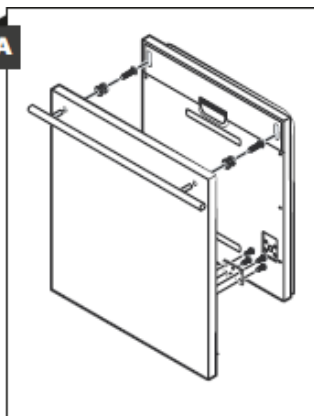
Steg 2. Täckpanelens mått och montering



Följ de särskilda monteringsanvisningarna för att fästa täckpanelen till luckan.

Inbyggbar modell

Montera haken på täckpanelen (c:a 5-9 kg) och för in den i springan i diskmaskinens yttre lucka (se Fig. A). Fäst panelen i luckan med hjälp av skruvarna och muttrarna efter att ha satt den på plats (se Fig. B).

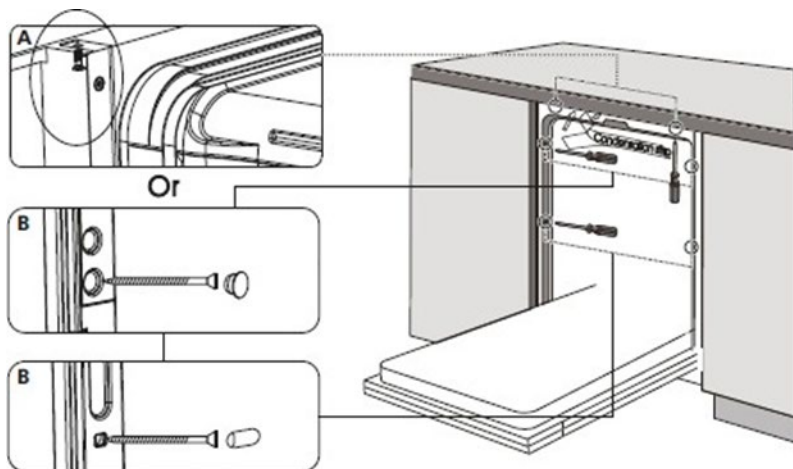


Steg 3. Steg för att installera diskmaskinen



Se respektive särskilda installationssteg som anges i installationsritningarna.

1. Montera täckpanelen på diskmaskinens yttre lucka. (steg 2-5)
2. Justera luckfjädrarnas spänning med en insexnyckel genom att vrida medurs för att spänna luckans högra och vänstra fjädrar. Underlåtelse att respektera denna anvisning skulle kunna ge upphov till skada på diskmaskinen. (Steg 6)
3. Fäst kondensremsan på bänkskivans undersida. Se till att kondensremsan sitter jämnt med bänkskivans kant. (Steg 8)
4. Anslut vatteninloppsslangen till kallvattenmatningen. (Steg 9)
5. Anslut avloppsslangen. (Steg 9)
6. Anslut nätsladden. (Steg 9)
7. För in diskmaskinen på sin plats. (Steg 10)
8. Ställ diskmaskinen i våg. Man kan justera det bakre benet från fronten genom att vrida på den stjärnskruv som sitter mitt på diskmaskinens botten med en stjärnskruvmejsel. Justera det främre benet genom att vrida det med en spårskruvmejsel tills diskmaskinen står i våg. (Steg 11)
9. Diskmaskinen måste vara ordentligt fastsatt. Beroende på var den står, kan man välja att fästa den upptill eller på sidorna. Gör så här för att fästa den: (Steg 12)
 - A. Vanlig bänkskiva: För in monteringshaken i springan i sidopanelen och fäst den i köksbänken med skruvar.
 - B. Köksbänk i marmor eller granit: Fäst sidopanelen med skruvar.

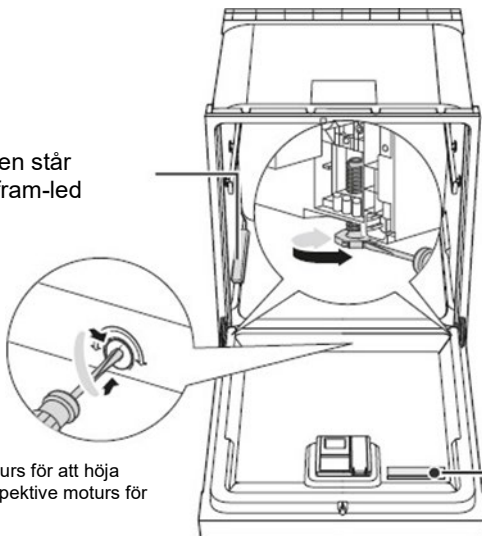


Steg 4. Ställa diskmaskinen i våg

För att diskkorgarna ska fungera ordentligt och diskningsresultatet bli bästa möjliga måste diskmaskinen ställas i våg.

1. Verifiera att diskmaskinen står vågrätt genom att lägga ett vattenpass på luckan och korgens glidskena i diskmaskinen, som på bilden.
2. Ställ diskmaskinen i våg genom att justera vart och ett av de tre inställningsbenen.
3. Var försiktig så att diskmaskinen inte välter när du ställer den i våg.

Verifiera att den står
vågrätt i bak-fram-led



Vrid skruvmejseln åt vänster för att
höja diskmaskinen, respektive åt
höger för att sänka den.

Vrid skruven medurs för att höja
diskmaskinen respektive moturs för
att sänka den.

Verifiera att den står
vågrätt i höger-vänster-
led

ANMÄRKNING:

Benens maxhöjd är 50 mm.

FELSÖKNINGSGUIDE

Innan du kontaktar en tekniker

Genom att titta i nedanstående tabeller kan du slippa behöva kontakta en tekniker.

Problem	Möjlig orsak	Åtgärd
Diskmaskinen startar inte	En säkring eller jordfelsbrytare har löst ut	Byt säkring eller återställ brytaren. Koppla bort alla andra elektriska apparater som är anslutna till samma krets som diskmaskinen.
	Diskmaskinen är inte strömsatt.	Verifiera att diskmaskinen är strömsatt och att luckan är ordentligt stängd. Verifiera att nätsladden är ansluten till eluttaget.
	Vattentrycket är lågt	Verifiera att vattenmatningen är ordentligt ansluten och att kranen är öppen.
	Diskmaskinens lucka är inte riktigt stängd.	Stäng luckan och låsmekanismen ordentligt.
Diskmaskinen pumpar inte vatten	Avloppsslangen är böjd eller klämd.	Verifiera avloppsslangens skick
	Filtret är igensatt.	Verifiera filtreringssystemet.
	Diskhon är igensatt.	Verifiera diskhons skick för att säkerställa att den inte är igensatt. Rinner inte diskvattnet ut ordentligt måste du sannolikt kontakta en rörmokare snarare än en diskmaskinstechniker.
Skum i diskmaskinen	Diskmedlet är olämpligt.	Undvik skumbildning genom att endast använda särskilt diskmedel för diskmaskiner. Öppna diskmaskinen och låt skummet avdunsta om detta inträffar. Håll en liter kallt vatten i diskmaskinens botten. Stäng diskmaskinluckan och välj vilket diskprogram som helst. Diskmaskinen börjar med att tömma ut vattnet. Öppna luckan när tömningen är klar och kontrollera att skummet har försvunnit. Upprepa vid behov.

Problem	Möjlig orsak	Åtgärd
	Spolglansmedel har spillts ut.	Avlägsna alltid omedelbart utspillt spolglansmedel.
Fläckar inne i diskmaskinen	Ett diskmedel med färgämne har använts.	Verifiera att det diskmedel som använts inte innehåller några färgämnen.
Vit hinna på invändiga ytor	Det rör sig om mineraler som finns i hårt vatten.	Använd en mjuk och fuktig trasa med diskmedel för diskmaskiner och bär gummihandskar för att rengöra ordentligt invändigt. Undvik skumbildning genom att aldrig använda andra produkter än sådana som är avsedda för diskmaskiner.
Rostfläckar på bestick	Fläckade bestick är inte korrosionsbeständiga.	Undvik att ställa bestick som inte är korrosionsbeständiga i diskmaskinen.
	Inga program har startats efter att diskmaskinssalt fyllts på. Spår av salt har blandats med diskprogrammet.	Starta alltid ett diskprogram med tom maskin efter att ha fyllt på salt. Välj inte Turbo-funktionen (i förekommande fall) efter att ha fyllt på salt.
	Avhärdningsfiltrets lock är inte ordentligt stängt.	Verifiera att avhärdningsfiltrets lock är ordentligt stängt.
Slammer i diskmaskinen	En av diskarmarna slår mot något som finns i undre korgen.	Pausa programmet och flytta den utrustning som hindrar diskarmen.
Skrammel i diskmaskinen	Bestick har fallit ut i diskmaskinen.	Pausa programmet och placera om besticken.
Stötjud i vattenledningarna	Detta kan bero på installationen på plats eller ledningarnas tvärsnitt.	Det påverkar inte diskmaskinens prestanda. Ring en kvalificerad rörmokare om du är osäker.
Disken är inte ren	Disken har inte placerats rätt i diskmaskinen.	Se DEL II, Förberedelse och påfyllning av disk.
	Det valda programmet var inte tillräckligt kraftfullt.	Välj ett mer kraftfullt program.

Problem	Möjlig orsak	Åtgärd
Disken är inte ren.	Otillräcklig mängd diskmedel.	Fyll på mer diskmedel eller byt diskmedel.
	Köksutrustning hindrar diskarmarnas rörelse.	Flytta om utrustningen så att diskarmarna kan rotera fritt
	Filtreringssystemet är inte rent eller sitter inte ordentligt fast i botten av diskmaskinen. Det kan medföra att diskarmarnas munstycken sätts igen.	Rengör och/eller byt filterenhet. Gör rent diskarmarna.
Grumliga glas.	Kombination av mjukt vatten med för mycket diskmedel.	Använd mindre diskmedel om du har mjukt vatten och välj ett kortare program för att diska glas och uppnå ett bättre resultat.
Vita fläckar på utrustning och glas.	Hårt vatten kan medföra kalkavsättningar.	Verifiera avhärdningsfiltrets inställningar och att salt facket är påfyllt.
Svarta eller gråa spår på disken	Aluminiumredskap gnids mot disken	Rengör disken med ett mildt slipande medel för att avlägsna spåren.
Diskmedelsrester i behållaren	Köksutrustning blockerar diskmedelsfacket	Placera om disken.
Disken är inte torr	Köksutrustning felplacerad	Undvik hudirritation genom att använda handskar om du ser diskmedelsrester på disken.
	Disken har tagits ut för tidigt	Töm inte diskmaskinen omedelbart efter diskprogrammet. Ställ luckan på glänt så att ångan kan slippa ut. Vänta tills temperaturen i diskmaskinen har svalnat innan du tar ut disken. Undvik att vatten rinner ned från den övre korgen genom att börja med den undre korgen.

Problem	Möjlig orsak	Åtgärd
Disken är inte torr	Det program som valts var inte lämpligt.	Med ett kort program blir disktemperaturen lägre, vilket ger lägre prestanda. Välj ett långt program.
	Besticken har en ytbehandling av dålig kvalitet.	Det är svårare att avlägsna vatten från ytbehandlingar av dålig kvalitet. Bestick eller fat av denna typ är inte lämpliga för maskindisk.

VARNING

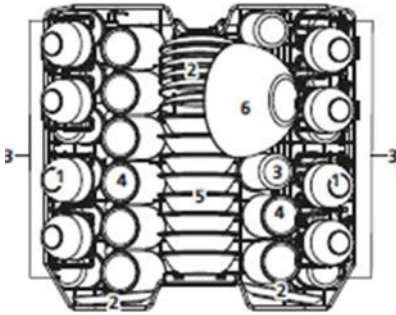
Att utföra reparationer på diskmaskinen själv eller låta en icke-fackman utföra sådana kan medföra allvarlig risk för användares säkerhet och påverka garantins giltighet.

FYLLA KORGARNA

ENLIGT STANDARD SS-EN 60436:

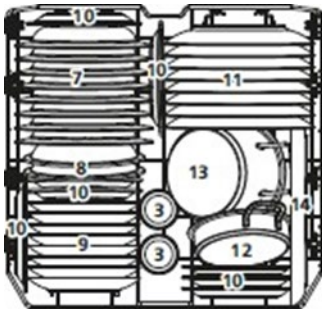
Genom att fylla diskmaskinen upp till dess fulla kapacitet bidrar man till att spara energi och vatten.

1. Övre korg:



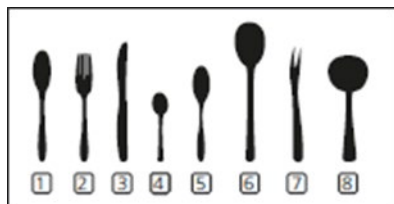
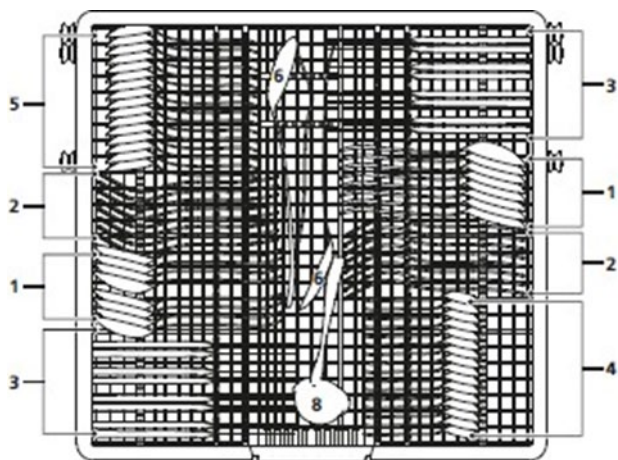
Antal	Typ av disk
1	Koppar
2	Tefat
3	Glas
4	Stora koppar
5	Dessertsålar
6	Glassålar

2. Undre korg:



Antal	Typ av disk
7	Djupa tallrikar
8	Melaminsålar
9	Desserttallrikar
10	Desserttallrikar i melamin
11	Platta tallrikar
12	Små grytor
13	Ugnsplåt
14	Ovala brickor

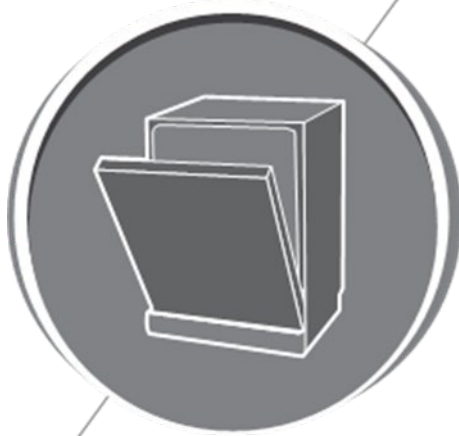
3. Besticklåda:



Information om jämförande tester enligt standard SS-EN 60436 Kapacitet: 16 kuvert

Övre korgens läge: låg Program: EKO
Inställning för spolglansmedel: Max
Inställning av avhärtningsfilter: H3

Antal	Typ av disk
1	Matskedar
2	Gafflar
3	Knivar
4	Teskedar
5	Dessertskepar
6	Serveringskedar
7	Serveringsgafflar
8	Sopslevar



Diskmaskin

Bruksanvisning

DEL II: Särskilda anvisningar

DCJ632DQX



Läs denna bruksanvisning noga innan du använder diskmaskinen. Spara den för framtida referens.

INNEHÅLLSFÖRTECKNING

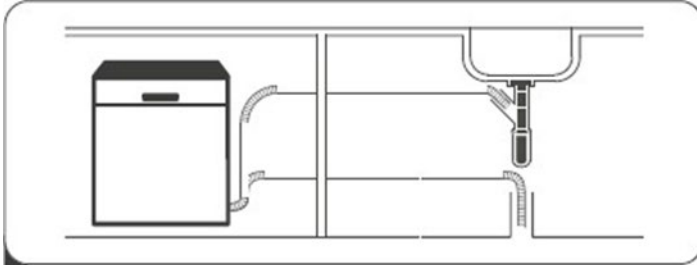
01	4	ANVÄNDA DISKMASKINEN
	4	Inställningspanel
	6	Avhärdningsfilter
	9	Förberedelse och påfyllning av disk
	12	Spolglansmedlets och diskmedlets funktion
	13	Fylla på spolglansfacket
	14	Fylla på diskmedelsfacket
02	15	PROGRAMVAL
	15	Programtabell
	16	Spara energi
	16	Starta ett program
	17	Gör så här för att byta program under en pågående cykel
	18	Glömt en tallrik
	18	Automatisk öppning
03	19	FELKODER
04	20	TEKNISKA SPECIFIKATIONER

ANMÄRKNING:

- Kontakta en fackman om du inte själv kan åtgärda problemet.
- I enlighet med tillverkarens strävan efter att ständigt utveckla och uppdatera produkten, kan denne utan föregående meddelande utföra ändringar.

GUIDE FÖR ATT KOMMA IGÅNG

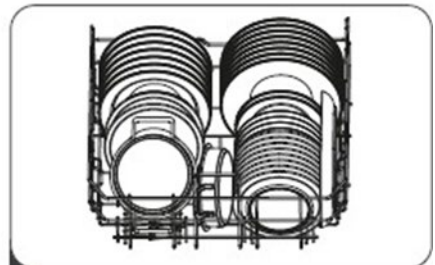
I respektive avsnitt av bruksanvisningen finns närmare information.



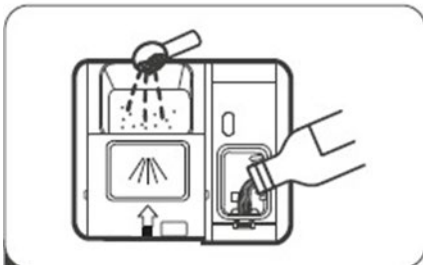
- 1** Installera diskmaskinen
(se avsnitt 5, INSTALLATIONSANVISNINGAR, i DEL I: Allmänna anvisningar)



- 2** Verifiera att den står vågrätt i bakfram-led



- 3** Fyll korgarna.



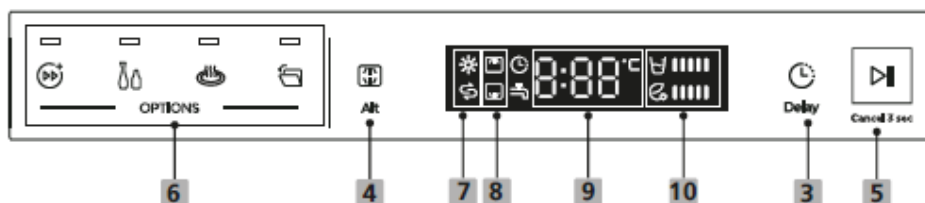
- 4** Fyll på diskmedels- och spolglansmedelsfacken.



- 5** Välj lämpligt program och starta diskmaskinen.











ANVÄNDA DISKMASKINEN

Inställningspanel















Funktion (knapp)

1 Start/Stop	Tryck på denna knapp för att slå på diskmaskinen. Skärmen tänds.
2 Program	<p>ICS+ ICS+ Detta program är givarstyrkt och anpassar sig efter hur smutsig disken är. Det passar för alla typer av disk.</p> <p>H+ Hygien 72° Detta program passar för alla typer av disk, oavsett hur smutsig den är. För att desinficera disken använder det den högsta temperaturen.</p> <p>☾ Tyst Detta program passar för glas och för normalt nedsmutsad disk. Det är tystare och kan användas kvällstid och på natten.</p>

<p>2 Program</p>	<p>ECO EKO Detta standardprogram passar för normalt nedsmutsad disk. Det rör sig om det program som är mest effektivt när det gäller energi- och vattenförbrukning.</p> <p> 90 min För normalt nedsmutsad disk när man behöver díska och torka snabbt.</p> <p> Diskning och torkning 55 min För normalt nedsmutsad disk när man behöver díska och torka snabbt.</p> <p> Snabbdisk 35 min Detta program har den kortaste disktiden, för lätt nedsmutsad disk som inte behöver torkas.</p> <p> Fördisk Det rör sig om ett sköljprogram som endast är avsett att få bort smutspartiklar från disken för att díska senare.</p> <p> Automatisk rengöring Med detta program kan maskinen effektivt rengöras tom.</p>
<p>3 Fördröjd start</p>	<p>Tryck på knappen för att fördröja starttiden för ett program med upp till 24 timmar i steg om en timme. Kontrollampen () lyser när detta är aktivt.</p>
<p>4 Alt</p>	<p>Tryck på denna knapp för att välja att díska endast den övre korgen, endast den undre korgen eller båda. Kontrollamporna ( ) tänds.</p>
<p>5 Start/Paus</p>	<p>Tryck på denna knapp för att starta valt diskprogram eller pausa pågående program.</p>
<p>6 Alternativ</p>	<p> Turbohastighet + Med detta alternativ kortas drifttiden med 15-50 %, beroende på stegring av temperatur och motorvarvtal. Alternativet kan inte väljas samtidigt som programmen Auto, Snabbdisk 35 min och Fördisk. Kombinerar det med automatisk öppning kan inte även automatisk diskning vara på.</p> <p> Diskstråle Alternativet kan användas för att rengöra flaskor som placeras inom det särskilda området i den övre korgen. Alternativet kan inte väljas samtidigt som programmen Auto, Snabbdisk och torkning 55 min, Fördisk eller Automatisk rengöring.</p>

Visning

6 Alternativ	 <p>Extra torkning Med detta alternativ kan man höja temperaturen för sista sköljningen och förlänga torktiden för att få bättre verkan. Alternativet kan inte väljas samtidigt som programmen EKO, Hygien 72°, Tyst och 90 min.</p>  <p>Automatisk öppning Diskmaskinens lucka öppnas automatiskt efter avslutat program för bättre torkresultat. Automatisk öppning är som standard på från fabrik. Är denna funktion avstängd sparas valet även när diskmaskinen är stoppad. Alternativet kan inte väljas samtidigt som programmen Snabbdisk 35 min, Fördisk eller Automatisk rengöring.</p>
7 Varningslampor	 <p>Spolglansmedel Lyser kontrolllampan  betyder det att spolglansmedlets nivå är låg och att man måste fylla på.</p>  <p>Salt Lyser kontrolllampan  betyder det att nivån diskmaskinssalt är låg och att man måste fylla på.</p>  <p>Kran Lyser kontrolllampan  betyder det att vattenkranen är avstängd.</p>
Övriga kontrollampor	 <p>Endast diskning av övre korgen När man väljer Övre diskas endast disken i övre korgen. Den undre korgens diskarm körs inte.</p>  <p>Endast diskning av den undre korgen När man väljer Undre diskas endast disken i undre korgen. Den övre korgens diskarm körs inte.</p>  <p>Diskning av både den övre och den undre korgen När man väljer båda diskas både disken i den övre och den undre korgen. Övre och undre diskarmarna körs alternerande eller samtidigt.</p> 

Visning

9 Display



Visning av återstående programtid, disktemperatur, tid till fördröjd start, felkoder m.m.

Förbrukningsindikator



Grad av vattenförbrukning

Förbrukningsindikatorn för vatten anger graden av vattenförbrukning för valt program. Ju fler staplar som visas, desto högre vattenförbrukning.



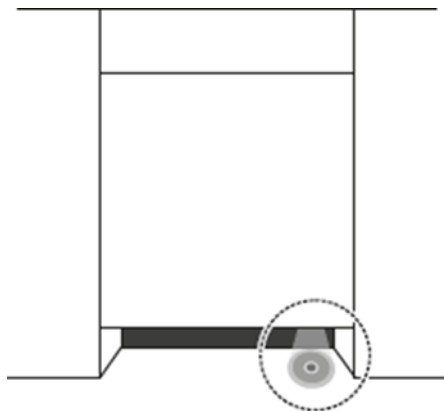
Energiförbrukning

Förbrukningsindikatorn för energi anger graden av energiförbrukning för valt program. Ju fler staplar som visas, desto högre energiförbrukning.

ANMÄRKNING:

Signallampans funktion

Signallampan tänds under diskprogrammet, blinkar sedan i fem minuter och slocknar efter avslutat program.



Avhärtningsfilter

Avhärtningsfiltret måste ställas in manuellt med ratten för att välja vattenhårdhet.

Avhärtningsfiltret är konstruerat för att avlägsna mineraler och salter från vattnet som kan göra att diskmaskinen fungerar mindre väl.

Ju mer mineraler vattnet innehåller, desto hårdare är det. Används diskmaskinen med hårt vatten bildas avsättningar på disken.

Avhärtningsfiltret måste ställas in beroende på hur hårt vattnet är i ditt område. Kontakta din lokala vattenleverantör för information om vattnets hårdhet i ditt område.

ANMÄRKNING:

Har din diskmaskin inte något avhärtningsfilter kan du hoppa över det här avsnittet.

Ställa in saltförbrukningen

Denna diskmaskin är konstruerad för att justera mängden salt som förbrukas beroende på hårdheten på det vatten som används. Syftet med denna funktion är att optimera saltförbrukningen och anpassa den efter just dina behov.

Diskmaskinen måste ställas in efter hur hårt vattnet är i ditt område. Det påverkar hur mycket salt diskmaskinen förbrukar.

Utför nedanstående steg för att ställa in avhärtningsfiltret:

1. Öppna luckan och slå på diskmaskinen.
2. Tryck, inom en minut efter att diskmaskinen slagits på, på knappen för automatisk rengöring i minst fem sekunder för att gå till avhärtningsfiltrets inställningsläge.
3. Tryck åter på knappen för automatisk rengöring för att välja den inställning som svarar mot vattnets hårdhet i ditt område. Värdena visas i följande ordning: H1->H2->H3->H4->H5->H6;
4. Tryck på knappen Start/Stopp för att spara inställningen och lämna inställningsläget.

VATTNETS HÄRDHET				Avhärtnings filtrets inställning	Regenerering görs var X:e programsekvens ¹⁾	Saltförbrukning (gram/cykel)
°dH (Tyskland)	°FH (Frankrike)	°Clarke (Förenade kungariket)	mmol/l			
0-5	0-9	0-6	0-0,94	H1	Ingen regenerering	0
6-11	10-20	7-14	1,0-2,0	H2	10	9
12-17	21-30	15-21	2,1-3,0	H3	5	12
18-22	31-40	22-28	3,1-4,0	H4	3	20
23-34	41-60	29-42	4,1-6,0	H5	2	30
35-55	61-98	43-69	6,1-9,8	H6	1	60

Inställning från fabrik är H3.

- 1) Varje cykel med regenereringsoperation förbrukar tre liter mer vatten, energiförbrukningen blir 0,02 kWh högre och programmet blir fyra minuter längre.



Se avsnitt 3, Fylla på salt i avhärdningsfiltret, i DEL I : Allmänna anvisningar, om det fattas salt i diskmaskinen.

Förberedelse och påfyllning av disk

- Tänk på att köpa porslin och utrustning som tål maskindisk.
- Välj ett program som fungerar med så låg temperatur som möjligt för ömtålig disk.
- Undvik eventuell risk för skador genom att inte ut glas och bestick ur diskmaskinen omedelbart efter programmets slut.

Denna diskmaskin är konstruerad för att diska och torka vanligt porslin och vanlig köksutrustning. Men alla föremål kan inte diskas i diskmaskinen.

Följande föremål är inte lämpliga och kan skadas under diskning:

- Trä-, porslin- eller pärlemorbestick.
- Icke värmebeständiga plastföremål.
- Gamla bestick med limmade delar som inte tål höga temperaturer.
- Bestick eller fat med lim.
- Tenn- eller kopparföremål.
- Kristallglas.
- Stålargångar som kan rosta.
- Träbrickor.
- Föremål tillverkade av syntetfiber.

Var vänlig notera följande:

- Vissa typer av glas kan bli matta efter ett antal diskningar.
- Föremål av silver och aluminium kan blekas av att diskas.
- Lackade motiv kan blekna om de ofta diskas i diskmaskin.

Rekommendationer för påfyllning och tömning av diskmaskinen

Ta bort det mesta av matresterna på tallrikar och bestick. Mjuka upp fastbrända matrester på pannor, grytor och kastruller. Fat och tallrikar behöver inte sköljas före disk.

Följ nedanstående anvisningar för att garantera att diskmaskinen fungerar optimalt.

Korgars och bestickkorgars funktioner och utseende kan variera beroende på modell.

- Saker som koppar, glas, kastruller, stekpannor osv. ska vändas upp och ned.
- Skålformade föremål och sådana med förstärkningar ska läggas i lutade så att vattnet kan rinna av.
- All disk ska placeras säkert, så att den inte kan tippa.
- All disk ska placeras så att det finns tillräckligt med utrymme för diskarmarna att rotera fritt. Verifiera att diskarmarna kan gå runt innan du startar ett program.
- Fat och bestick får inte staplas eller ligga ovanpå varandra.
- Undvik att bestick staplas i eller täcker varandra, så att vattnet kommer åt överallt.
- Den övre korgen är avsedd för känsligare och lättare disk, som glas och koppar.
- Spetsiga eller långbladiga knivar innebär en fara om spetsen pekar uppåt.
- Långa och vassa bestick som förskärare ska placeras vågrätt i den övre korgen.
- Lasta inte diskmaskinen överfull. Då uppnår du bra resultat och optimerar energiförbrukningen.

ANMÄRKNING:

Undvik att maskindiska väldigt små föremål, eftersom de lätt kan falla ur korgarna.

Ta ur disken

För att undvika att vatten från den övre korgen rinner ner i den undre rekommenderar vi att man tömmer den undre korgen först.

VARNING



Disken kan vara mycket varm! Undvik skador genom att låta glas och känsliga föremål svalna i korgarna innan du tar ut dem.

Fylla på den övre korgen

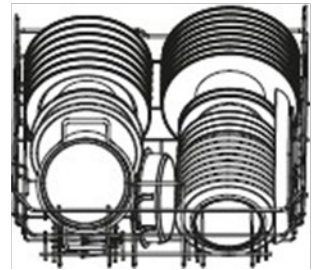
Den övre korgen är avsedd för sköra och lättare föremål, som glas, koppar, tefat, assietter, små skålar och grunda stekpannor och kastruller.

Placera fat och köksutrustning så att inte vattenstrålen kan flytta på dem.



Fylla på den undre korgen

Vi rekommenderar att man placerar större föremål och sådana som är svårast att få rena, som kastruller, stekpannor, lock, serveringsfat och salladsskålar, i den undre korgen, enligt vad som visas nedan. För att inte hindra den övre diskarmens rotation är det bäst att placera serveringsfat och lock längs korgens sidor.



Fylla på bestickkorgen

Bestick ska placeras i bestickkorgen på lämpligt sätt och åtskilda från varandra. Undvik att stapla ihop bestick för att inte diskningen ska bli mindre effektiv.



För optimal diskning och torkning, se de alternativ till standardpåfyllning som finns i sista avsnittet av DEL I: Allmänna anvisningar

Diskmedlets och spolglansmedlets funktion

Diskmedlets funktion

De kemikalier som ingår i diskmedlet krävs för att avlägsna, lösa upp och föra bort smuts från diskmaskinen. De flesta diskmedel av kommersiell kvalitet är lämpliga för detta ändamål.

⚠ VARNING

- Använd endast diskmedel som är särskilt avsett för diskmaskiner. Diskmedlet ska alltid förvaras svalt och torrt.
- Fyll inte diskmedelsfacket förrän du är klar att starta diskmaskinen.



Diskmedel för diskmaskiner fräter! Förvara dem oåtkomligt för barn.

Spolglansmedlets funktion

Spolglansmedlet frigörs under det sista sköljsteget för att undvika att vattnet bildar droppmärken på disken eller lämnar spår på den. Genom att låta vattnet rinna av disken ger det dessutom bättre torkning. Diskmaskinen har konstruerats för att fungera med flytande spolglansmedel.

⚠ VARNING

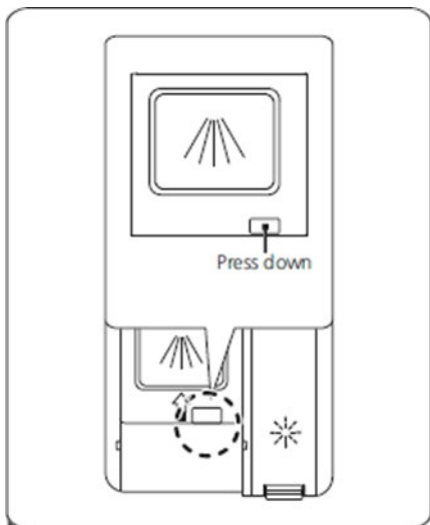
Häll aldrig i något annat medel i facket för spolglansmedel (som produkt för att rengöra diskmaskiner, flytande rengöringsmedel). Det skulle kunna skada diskmaskinen.

När ska man fylla på spolglansmedel?

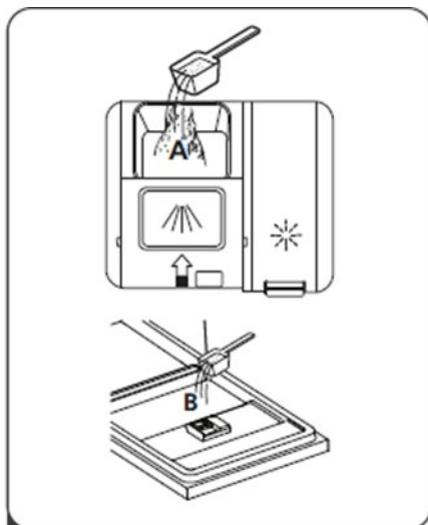
Nästan alla program använder spolglansmedel vid sista sköljningen. Beroende på hur ofta man använder spolglansmedel och dess inställning, kan facket behöva fyllas på.

Indikator för låg nivå av spolglansmedel (*) tänds när man behöver fylla på. Fyll inte på spolglansmedel över markeringen.

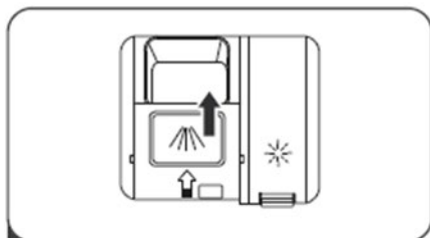
Fylla på diskmedelsfacket



1 Öppna locket genom att trycka på öppningsspärren.



2 Fyll på diskmedel i diskmedelsfacket (A) för huvuddisksteget. Häll lite diskmedel på luckan (B) för optimal rengöringsprestanda, särskilt om disken är mycket smutsig. Det extra diskmedlet används under fördiskningssteget.



3 Stäng facket lock genom att skjuta det nedåt tills det låser fast.

ANMÄRKNING:

- Följ tillverkarens rekommendationer som står på diskmedelsförpackningen.

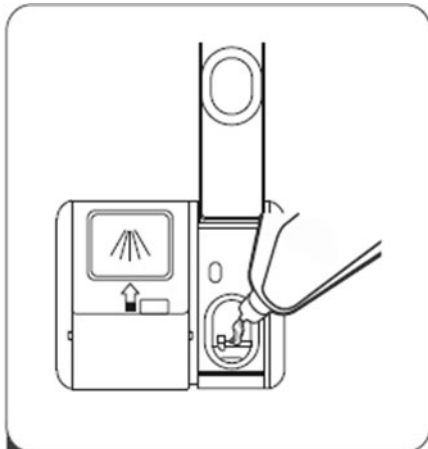
Fylla på spolglansfacket



- 1** Öppna spolglansmedelsfackets lock genom att dra i handtaget.



- 3** Stäng locket ordentligt efter att ha fyllt på facket.



- 2** Håll försiktigt spolglansmedel i facket och undvik att fylla på för mycket. Utspillt spolglansmedel måste torkas upp med en trasa.

Ställa in spolglansmedlet

Hur mycket spolglansmedel som ska frigöras under sista sköljningen kan ställas in enligt nedan:

1. Öppna luckan och slå på diskmaskinen.
2. Tryck, inom en minut efter att diskmaskinen slagits på, på knappen Automatisk rengöring i minst fem sekunder och därefter på knappen Fördröjd start, för att gå till inställningsläget för spolglansmedel. Kontrollampen för spolglansmedel börjar blinka.
3. Tryck åter på knappen Automatisk rengöring för att välja den inställning som motsvarar dina önskemål.

Värdena visas i följande ordning: D1->D2->D3->D4->D5->D1.

Ju högre siffra, desto mer spolglansmedel använder diskmaskinen.

Inställning från fabrik är D3.


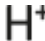




4. Vänta i fem sekunder eller tryck på knappen Start/Stopp för att spara de valt värde och lämna inställningsläget.







PROGRAMVAL

Programtabell

I tabellen finns olika upplysningar om programmen.

Värdena för förbrukning och programlängd är indikativa, utom för programmet EKO. (●) anger att programmet använder spolglansmedel under sista sköljningen.

Program	Beskrivning av cykeln	Diskmedel fördisk/huvuddisk	Längd (min)	Energiförbrukning (kWh)	Vatten (L)	Spolglansmedel
 ICS+	Fördisk (45 °C) Disk (55-65 °C) Sköljning Sköljning (50-60 °C) Torkning	<u>5/19 g</u> (en eller två tabletter)	102-175	0,930-1,470	10,3-16,9	●
 Hygien 72°	Fördisk Diskning (72 °C) Sköljning Sköljning Sköljning (72 °C) Torkning	<u>5/19 g</u> (en eller två tabletter)	225	1,925	16,7	●
 Tyst	Fördisk Diskning (60 °C) Sköljning Sköljning Sköljning (50 °C) Torkning	<u>5/19 g</u> (en eller två tabletter)	230	1,330	16,7	●
 (* SS-EN 60436)	Diskning (50 °C) Sköljning Sköljning (45 °C) Torkning	<u>24 g</u> (en eller två tabletter)	205	0,769	9,5	●
 90 min	Fördisk Diskning (0) Sköljning Sköljning (50 °C) Torkning	<u>5/19 g</u> (en eller två tabletter)	90	0,940	13,6	●
 Diskning och torkning 55 min	Diskning (60 °C) Sköljning Sköljning (50 °C) Torkning	<u>24 g</u> (1 tablett)	55	0,795	11,3	●

Program	Beskrivning av programmet	Diskmedel fördisk/huvuddisk	Längd (min)	Energiförbrukning (kWh)	Vatten (L)	Spolglansmedel
 Snabbdisk 35 min	Diskning (55 °C) Sköljning Sköljning (45 °C)	18 g (1 tablett)	35	0,690	11,3	
 Fördisk	Fördisk	/	14	0,120	3,9	
 Automatisk rengöring	Diskning (70 °C) Sköljning Sköljning (55 °C)	24 g (1 tablett)	115	1,245	11,7	

ANMÄRKNING:

EKO: EKO-programmet är anpassat för att diska normalt nedsmutsad disk. Det rör sig här om det program som är mest effektivt när det gäller energi- och vattenförbrukning, vilket gör att det respekterar EU-lagstiftning om ekodesign.
(* SS-EN 60436)

Tid för funktionen med automatisk öppning

Program	Tid (min)								
	ICS+	Hygien 72°	Tyst	EKO	90 min	Diskning och torkning 55 min	Snabbdisk 35 min	Fördisk	Automatisk rengöring
Med automatisk öppning	102-175	225	230	205	90	55	/	/	/
Utan automatisk öppning	121-189	239	264	220	90	55	35	14	115

ANMÄRKNING: Alternativet automatisk öppning kan inte väljas samtidigt som programmen Snabbdisk 35 min, Fördisk eller Automatisk rengöring.

Spara energi

1. Att skölja disken före ger högre vatten- och energiförbrukning och rekommenderas inte.
2. Att diska i en diskmaskin för hushållsbruk förbrukar i allmänhet mindre energi och vatten under användning än att diska för hand, om diskmaskinen används enligt anvisningarna.

Starta ett program

1. Dra övre och undre korgen mot dig, ställ i disken och tryck sedan in korgarna.
2. Fyll på diskmedel i facket.
3. Anslut diskmaskinen.
4. Säkerställ att vattenmatningen är öppen och har lämpligt tryck.
5. Öppna luckan och tryck på knappen Start/Stopp.
6. Välj ett program och tryck på knappen Start. Stäng luckan. Diskmaskinen startar programmet.

Gör så här för att byta program under en pågående cykel

Man kan bara byta program om detta har körts en kortare tid, annars kan diskmedlet redan ha frigjorts eller diskvattnet med diskmedel redan ha tömts ut. I så fall måste diskmaskinen startas om och nytt diskmedel fyllas på i facket. Följ nedanstående anvisningar för att starta om diskmaskinen:

1. Öppna luckan på glänt för att pausa diskmaskinen. När diskarmarna stannat upp helt kan du öppna luckan helt.
2. Tryck på knappen Start/Stopp i minst tre sekunder för att ställa diskmaskinen i läge för att välja program.
3. Du kan nu byta program och välja önskad cykel.
4. Tryck på knappen Start/Stopp och stäng luckan så startar diskmaskinen igen.



Glömt en tallrik

Du kan lägga till disk när som helst innan diskmedelsfacket öppnats. Följ då nedanstående anvisningar:

1. Öppna luckan på glänt för att avbryta diskningen.
2. När diskarmarna stannat upp helt kan du öppna luckan helt.
3. Ställ den disk du glömt i diskmaskinen.
4. Stäng luckan.
5. Diskmaskinen startar på nytt.



⚠ VARNING

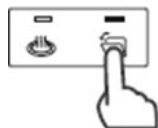


Det är farligt att öppna luckan under en pågående cykel: man kan bränna sig på den heta ånga som tränger ut.

Automatisk öppning

För bättre torkeffekt och få mindre energiförbrukning under torkningen öppnas luckan automatiskt efter avslutat program.

Du kan trycka på knappen Automatisk öppning för att slå på respektive av alternativet automatisk öppning.



💡 ANMÄRKNING:

Diskmaskinens lucka får inte vidröras när den är inställd på att öppnas automatiskt. Det kan störa låsmekanismens funktion.

FELKODER

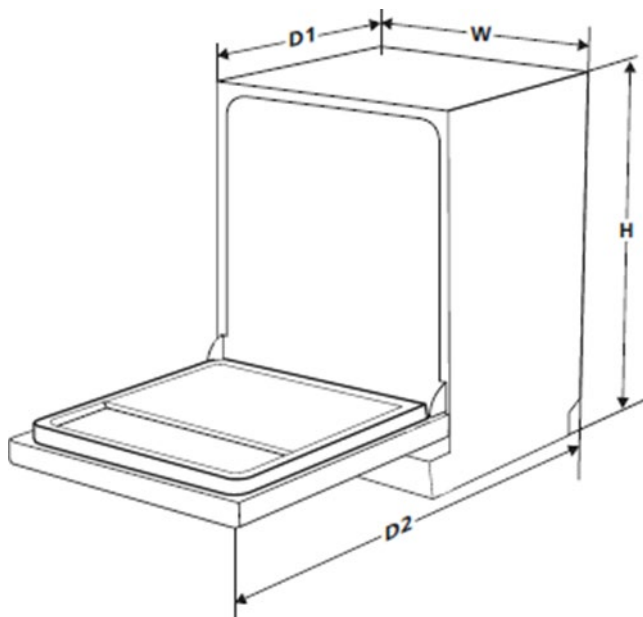
Vid felfunktion visas en felkod. I nedanstående tabell presenteras möjliga felkoder och vad som orsakat dem.

Kod	Betydelse	Möjlig orsak
E1	För lång tid innan vattenmatning	Kranen är stängd, vatteninloppet är blockerat eller vattentrycket är för lågt
E3	Erforderlig temperatur har inte uppnåtts	Funktionsfel på värmeelementet
E4	Överfyllning	Någon av diskmaskinens delar läcker
Ec	Fel på systemet för att styra diskningen	Fel på kretskort, tömningspump eller motor
Ed	Kommunikationsfel mellan huvudkretskort och displaykort	Öppen strömkrets eller kommunikationen kortsluten

VARNING

- Stäng av vattenmatningen vid överfyllning innan du kontaktar en tekniker.
- Ta bort vattnet i bottnen på diskmaskinen om det finns vatten kvar på grund av överfyllning eller ett läckage, innan du startar om diskmaskinen.
- Kontakta en fackman om du inte kan åtgärda en felkod.

TEKNISKA SPECIFIKATIONER



Höjd (H)	857 mm
Bredd (W)	598 mm
Djup (D1)	550 mm (stängd lucka)
Djup (D2)	1 226 mm (lucka öppen 90°)

ÅTKOMST AV DATABAS

Logga in på webbplatsen <https://eprel.ec.europa.eu/> för att få tillgång till information om din modell som sparas i produkt databasen i enlighet med förordning (EU) 2019/2017 och avseende energimärkning.

Sök efter diskmaskinens artikelnummer på webbplatsen genom att ange det servicenummer som anges på diskmaskinens märkskylt.

Ett annat sätt att komma åt denna information är att skanna QR-koden på produktens energimärkning.

Kundservice

- **ARBETEN**

Eventuella arbeten på diskmaskinen ska utföras av behörig fackman som auktoriserats av märket. Ange alla referensuppgifter för diskmaskinen när du tar kontakt (modell, typ, serienummer). Dessa uppgifter står på märkplåten. Du kan kontakta oss mån-lör, 8-20, på +33 (0) 6 69 34 34 (kostnadsfri tjänst + samtalskostnad).

- **ORIGINALDELAR**



Brandt France, Service
Consommateurs – **De Dietrich** –
5 avenue des Béthunes, BP 69526
St Ouen L'Aumône, FR-95060
Cergy Pontoise Cedex

> eller ring oss på:

De Dietrich: 0892.02.88.04 *

0,50 euro/min inkl. skatt från fast telefon

* Tjänsten tillhandahålls av Brandt France, förenklat aktiebolag med ett bolagskapital uppgående till 1 000 000 euro, 89/91 boulevard Franklin Roosevelt, FR-92500 Rueil-Malmaison – RCS Nanterre 801 250 531

Brandt France, förenklat aktiebolag med ett bolagskapital uppgående till 1 000 000 euro, med säte på 89/91 boulevard Franklin Roosevelt, FR-92500 Rueil-Malmaison, med registreringsnummer RCS Nanterre 801 250 531.

INFORMATION:

Enligt villkoren i EU-förordning 2019/2022 ska de reservdelar som tas upp i förteckningen i denna finnas tillgängliga i minst tio år och särskilt för användare av apparaten.

De Dietrich 