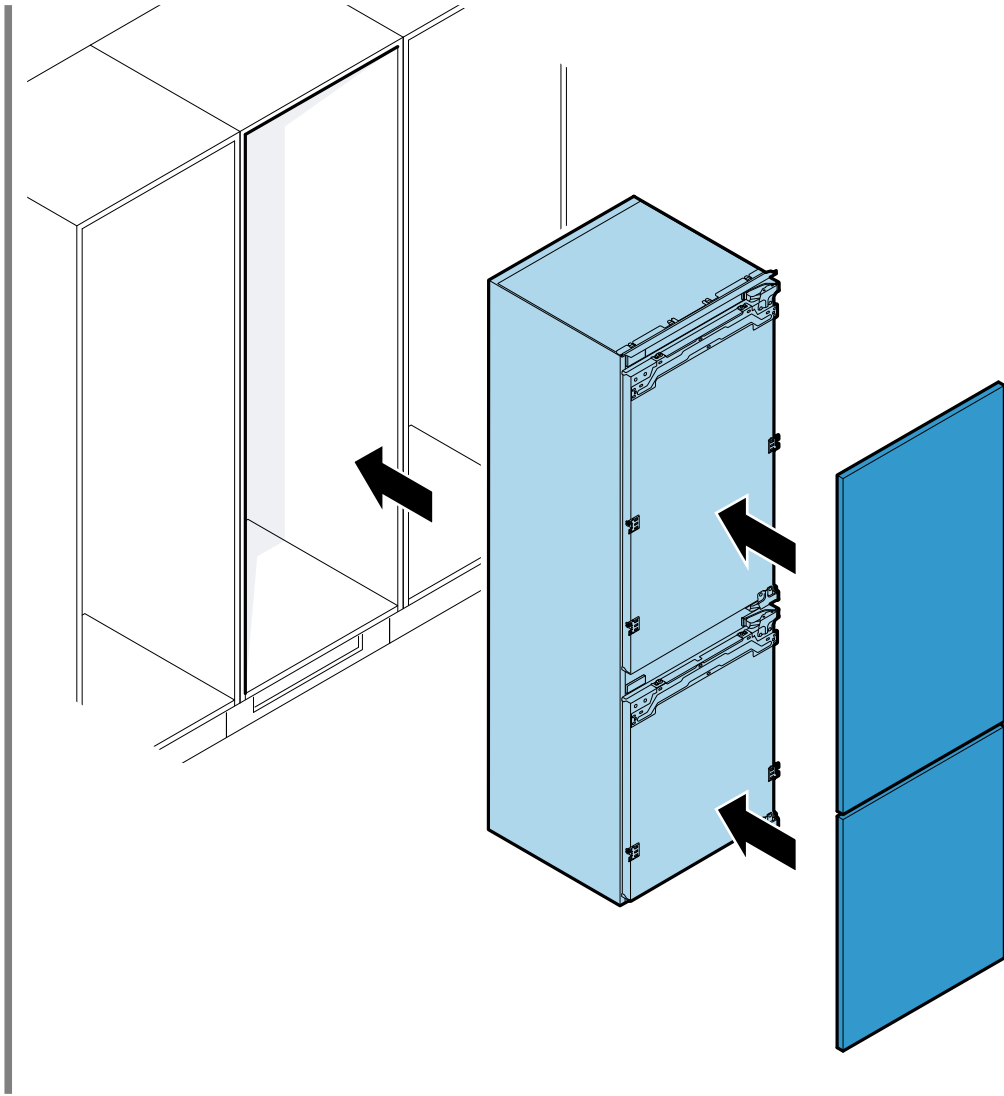
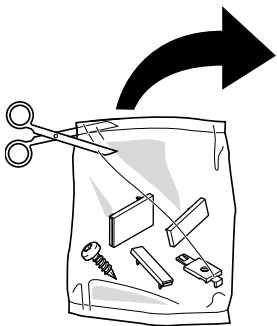


9001590990 (040502)

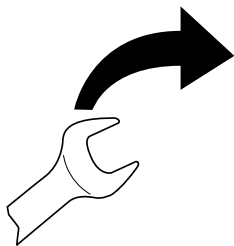


mm

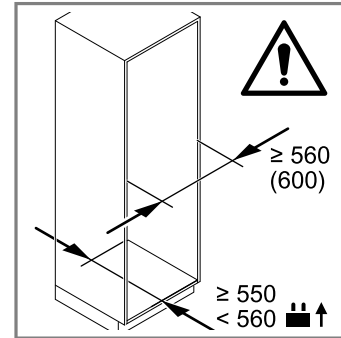
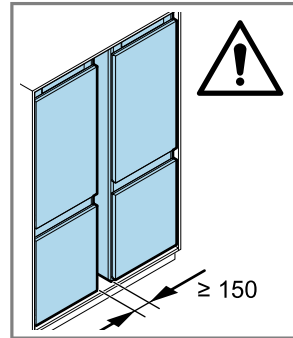
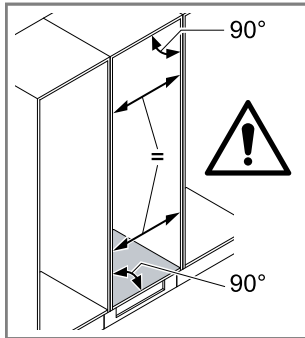
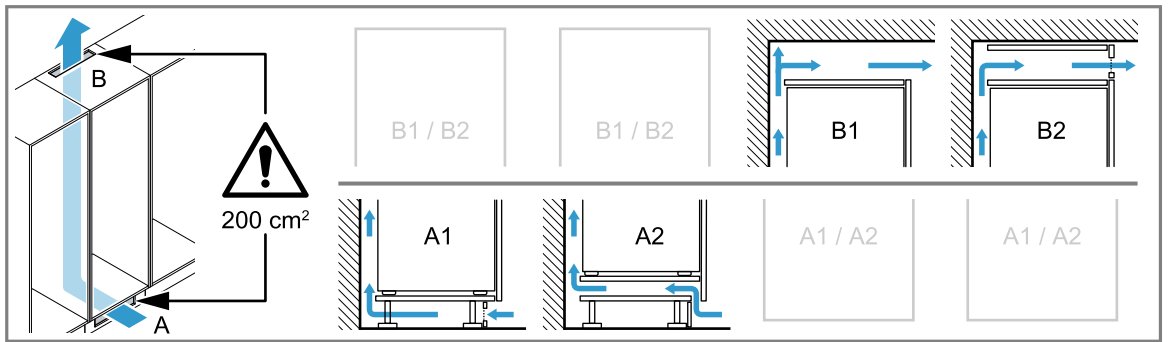


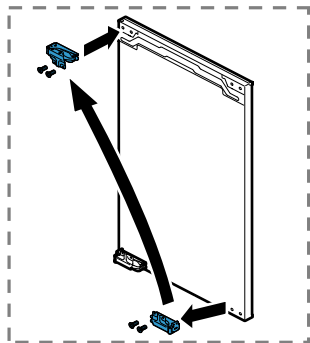
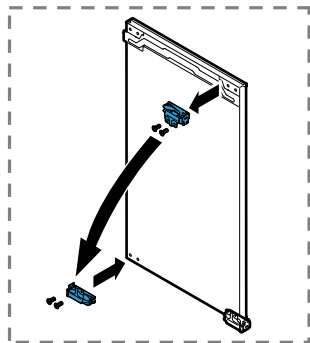
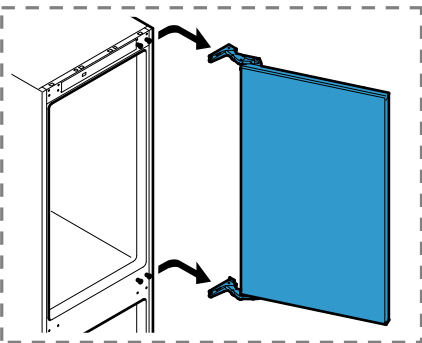
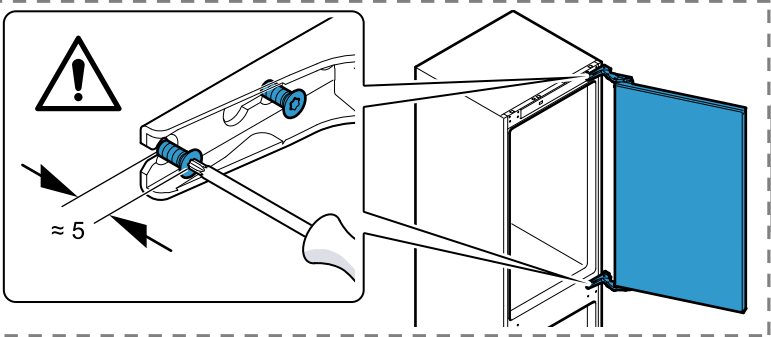
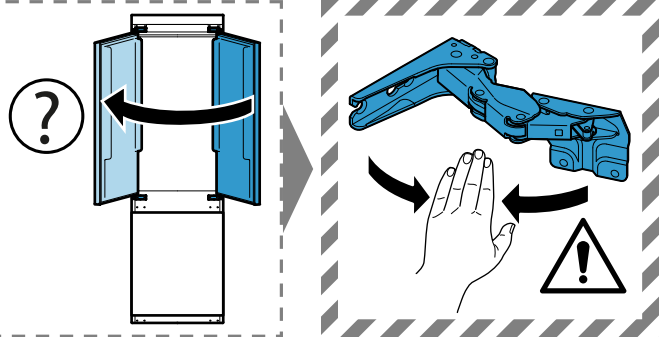
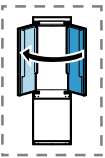


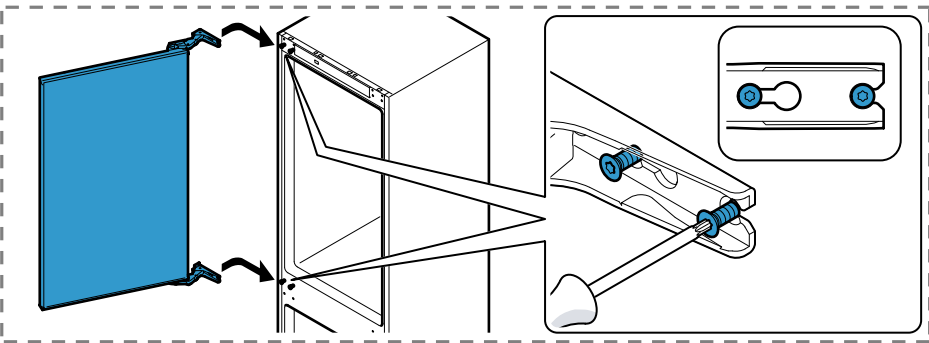
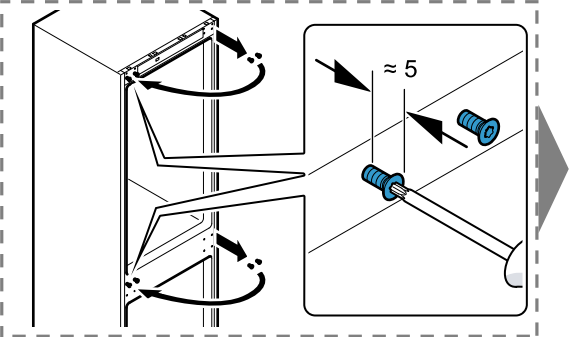
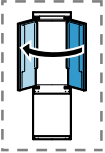
- 2x [Component: small rectangular plate with two screws]
- 2x [Component: small rectangular plate with two screws]
- 2x [Component: small rectangular plate with two screws]
- [Component: long thin rectangular plate]
- 6x [Component: small L-shaped bracket]
- [Component: long thin rectangular plate]
- [Component: small L-shaped bracket]
- [Component: small L-shaped bracket]
- [Component: small L-shaped bracket]
- 8x 4x15 T20 [Component: Torx screw]
- 14x 4x15 T20 [Component: Torx screw]
- 2x M5x10 T20 [Component: Torx screw]
- [Component: Torx screw]
- [Component: Torx screw]
- [Component: long thin rectangular plate]
- [Component: cable with RJ45 and Ethernet connectors]
- 2x [Component: small L-shaped bracket]
- [Component: long thin rectangular plate]
- 10x [Component: small rectangular plate]
- 2x [Component: long thin rectangular plate]



- Torx T 20 [Component: Torx screwdriver]
- [Component: pencil]
- [Component: long thin rectangular plate]
- [Component: L-shaped metal corner bracket]
- [Component: coiled cable]
- [Component: measuring tape]
- [Component: scissors]
- [Component: power drill with a 2 mm drill bit]

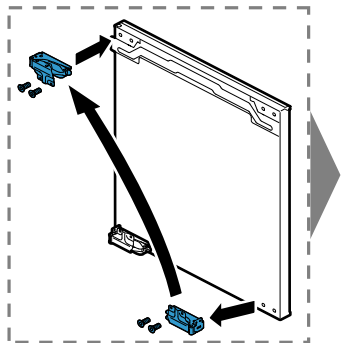
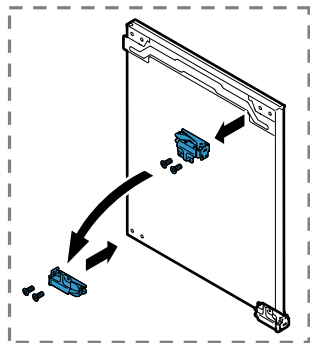
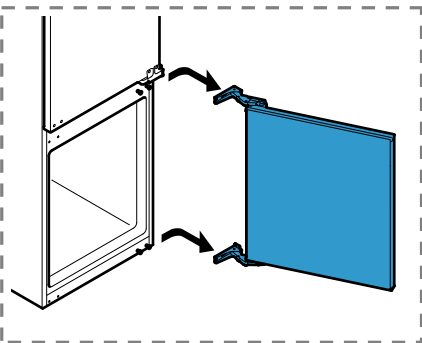
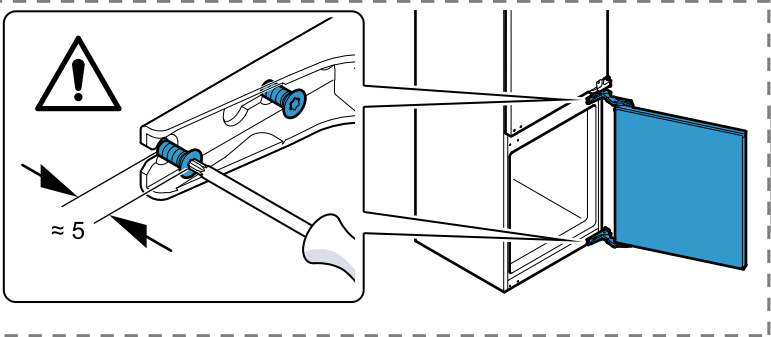
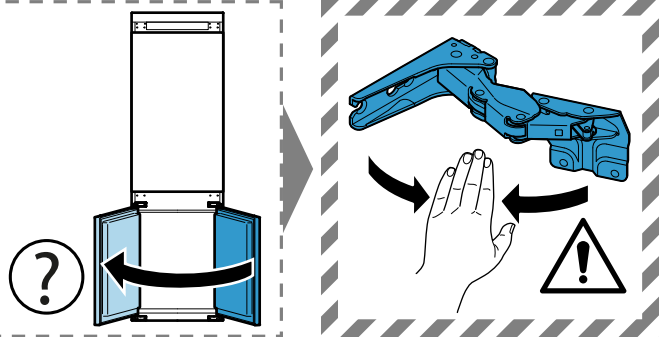
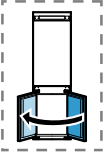


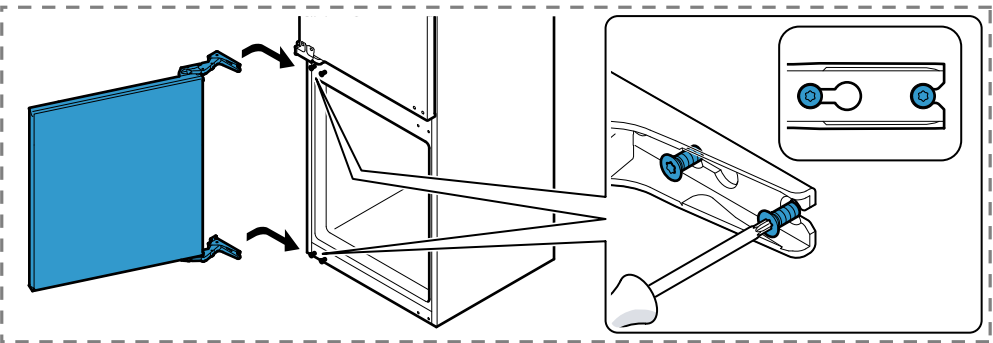
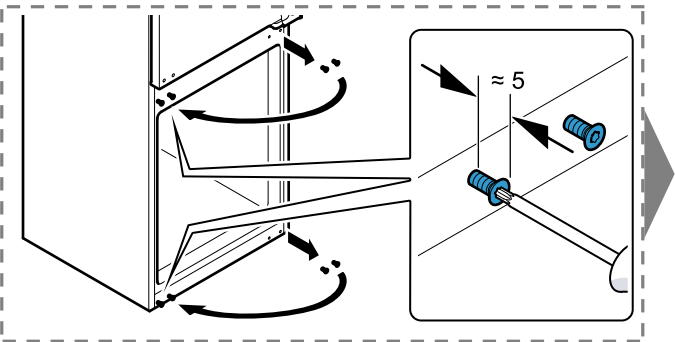
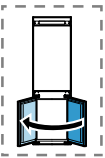




Torx
T 20

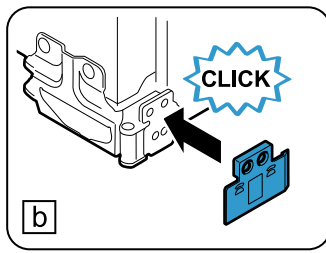
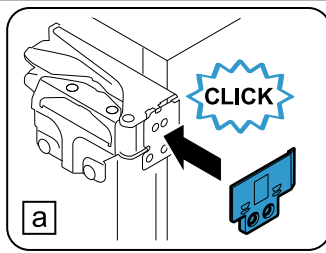
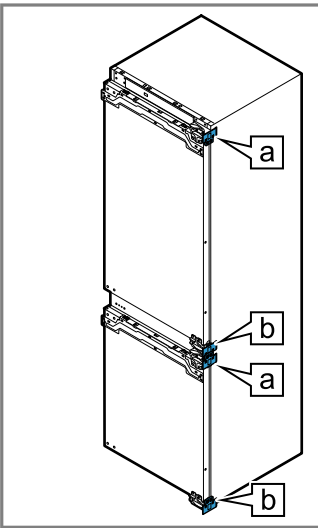
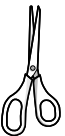
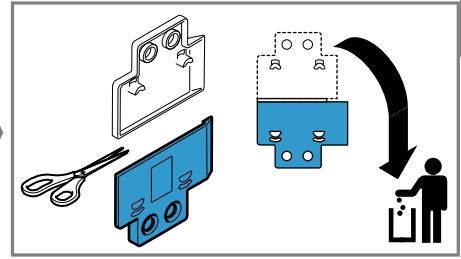
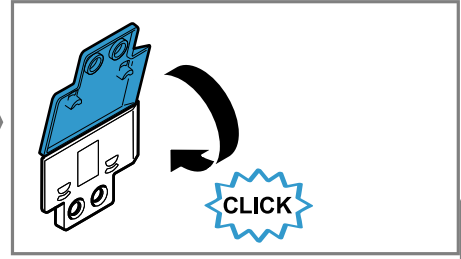
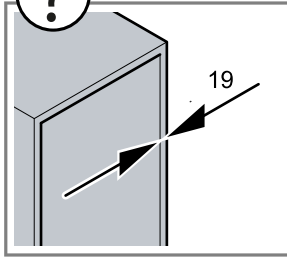
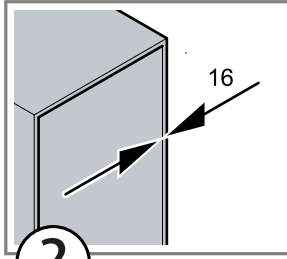
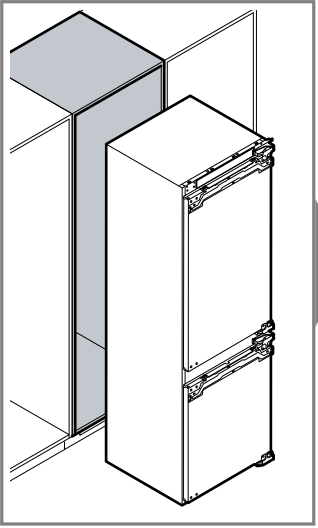


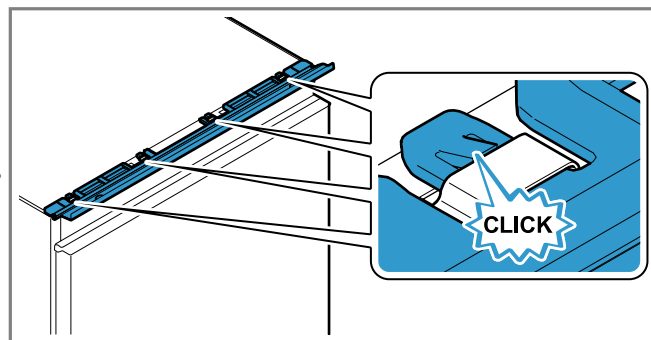
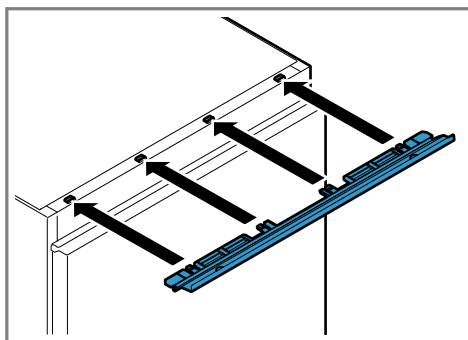
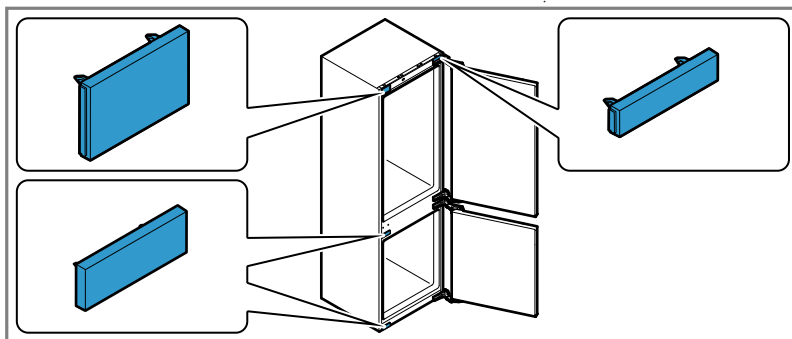
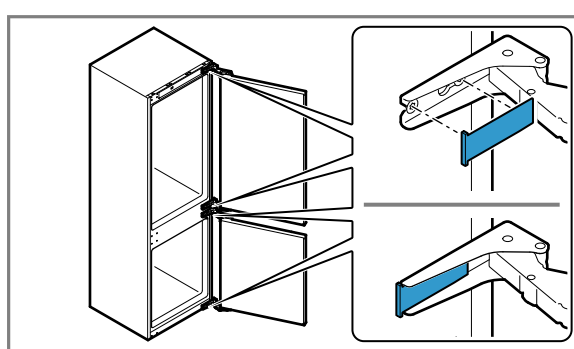
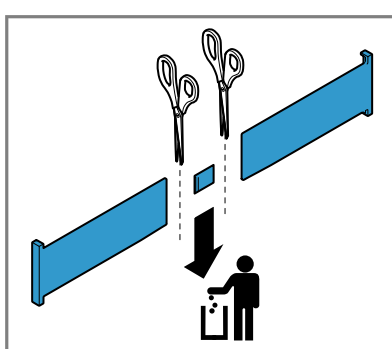
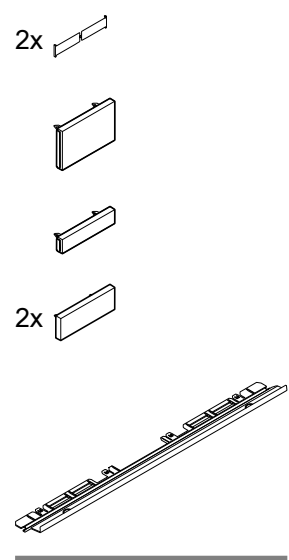


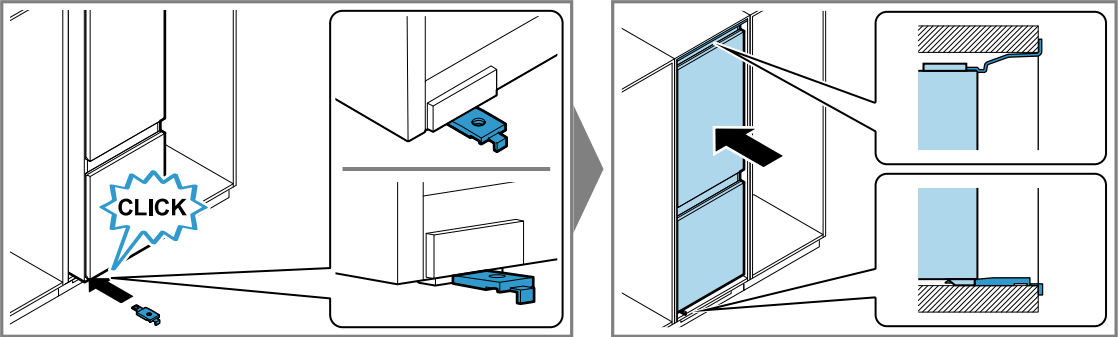
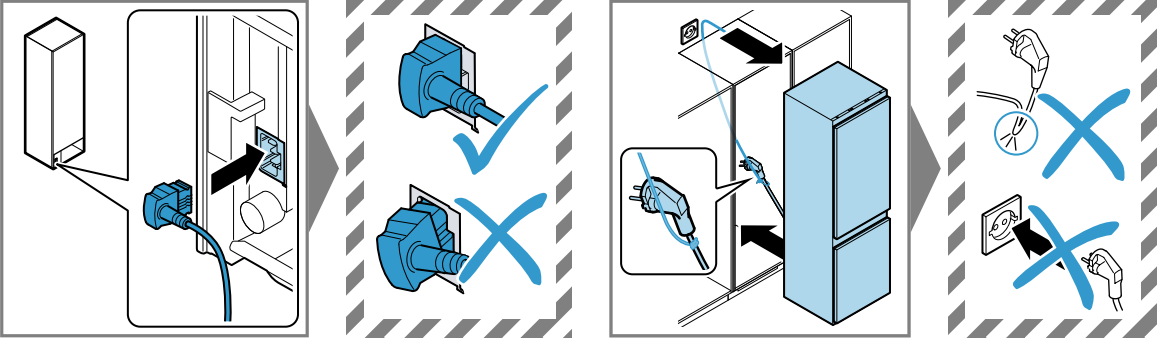
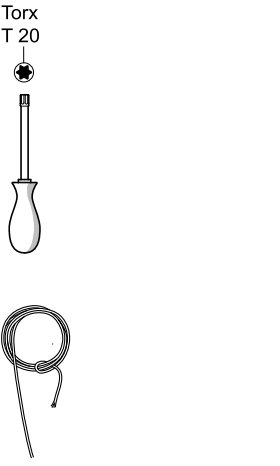
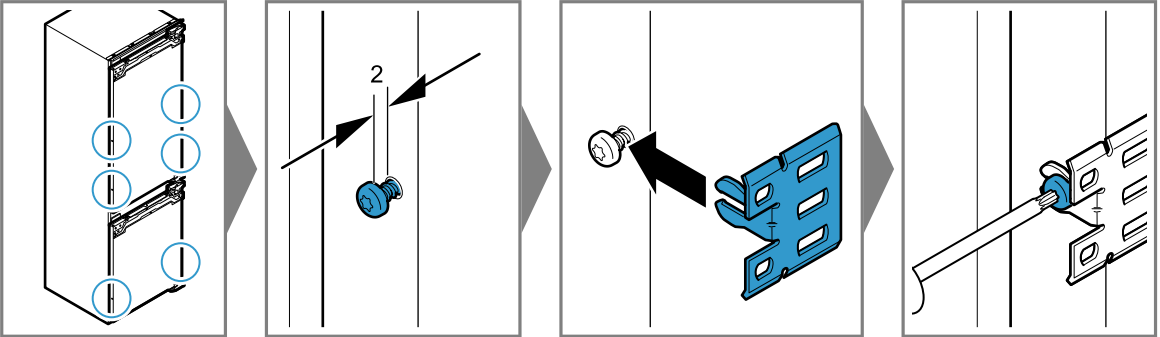
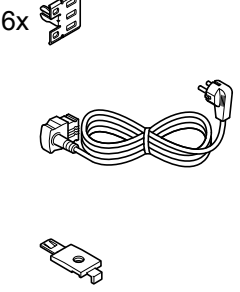


Torx
T 20

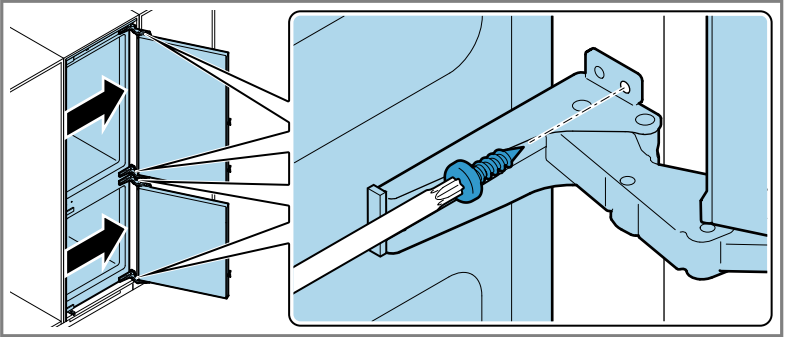
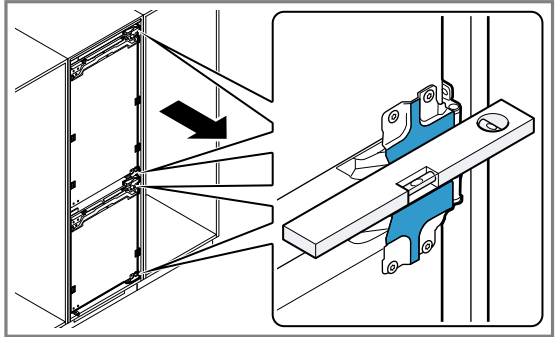
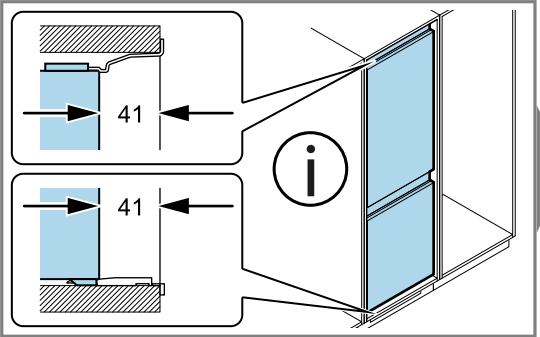




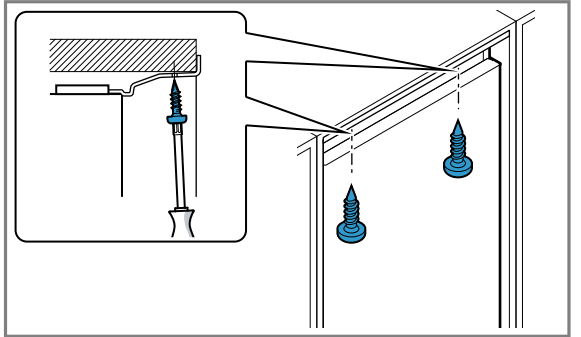
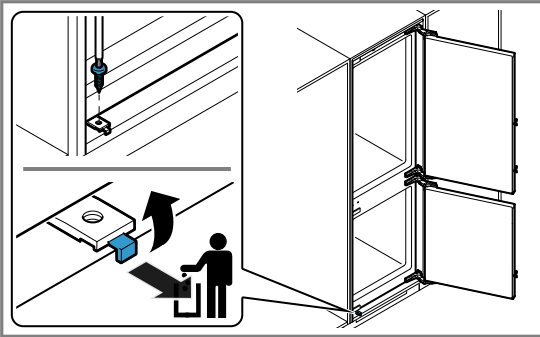
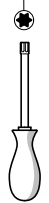




7x

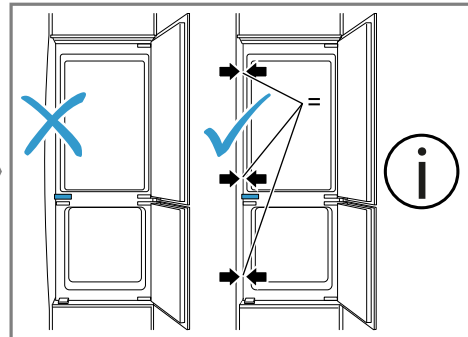
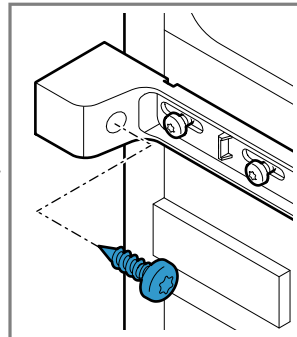
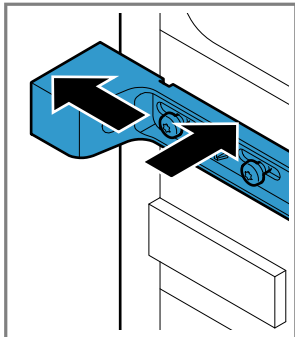
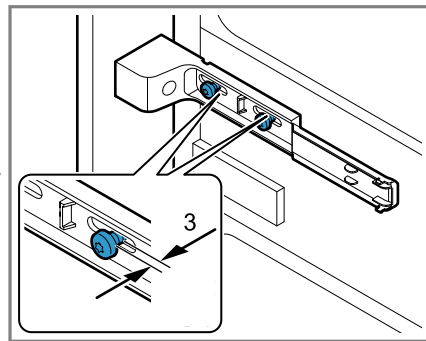
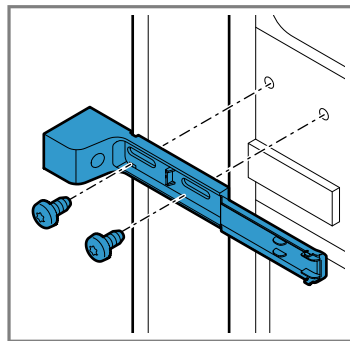
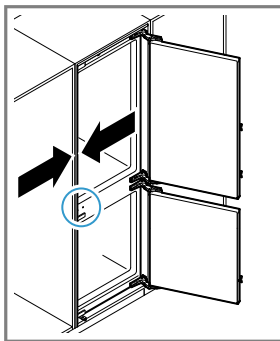
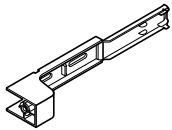


Torx
T 20

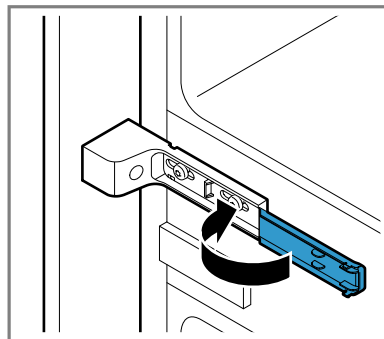
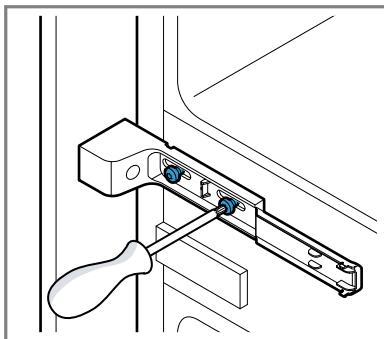


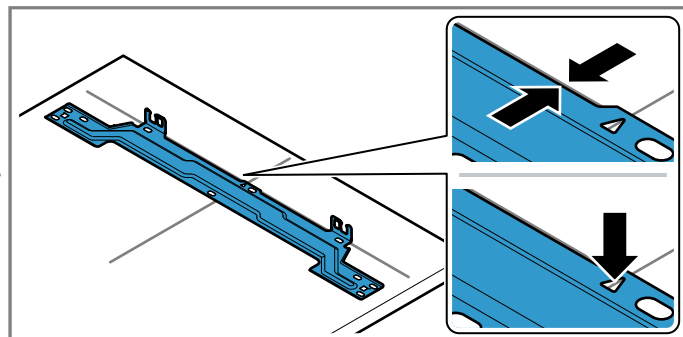
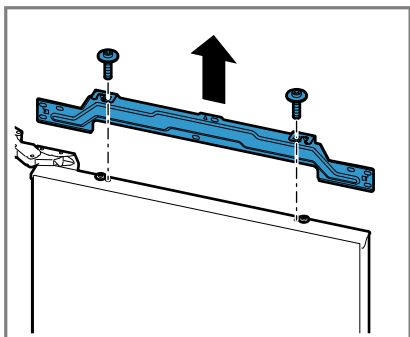
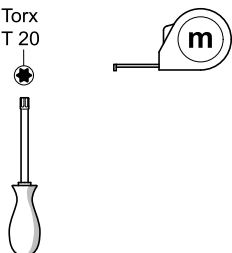
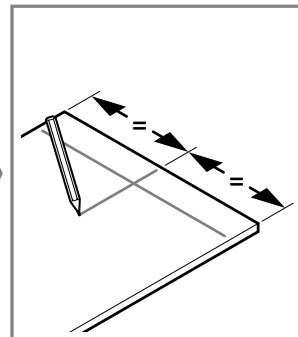
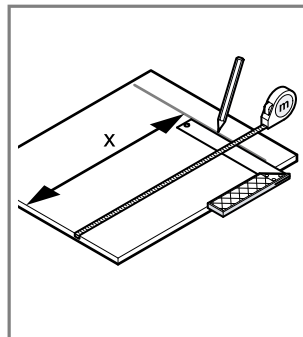
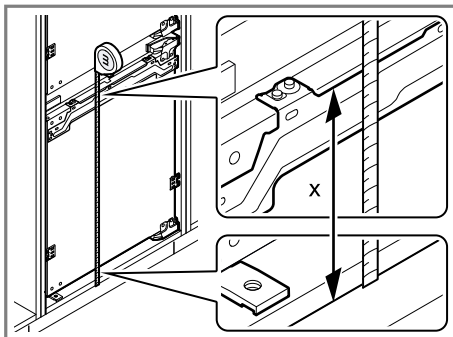
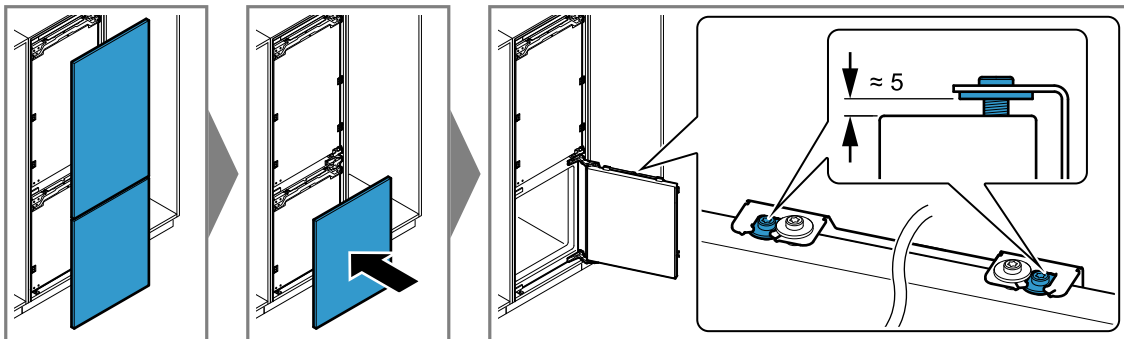


2x

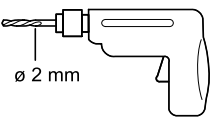
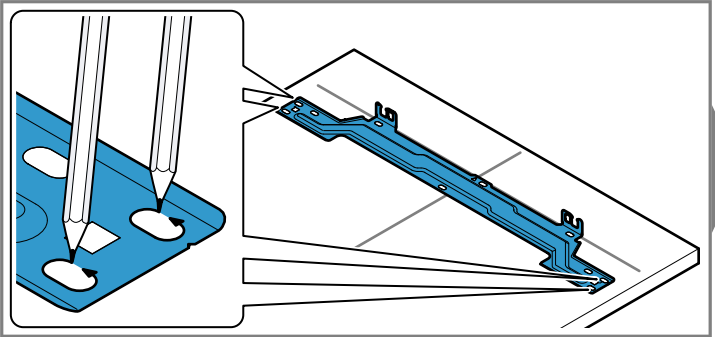


Torx
T 20

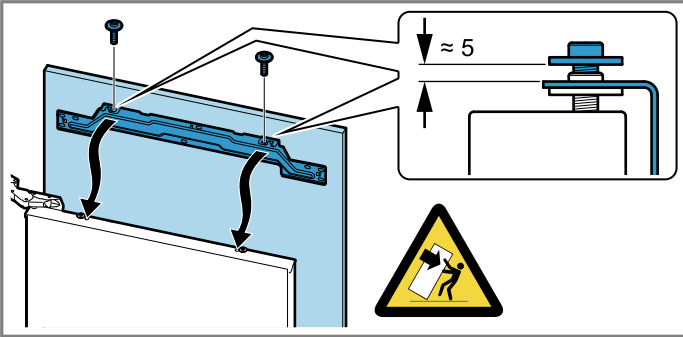
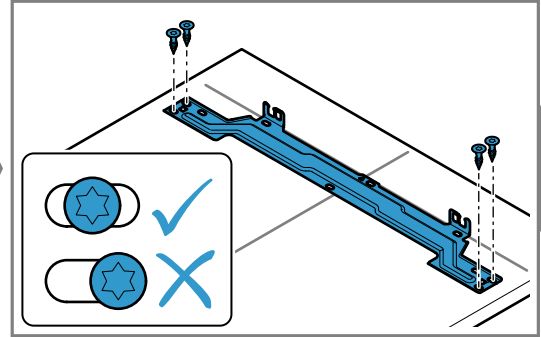
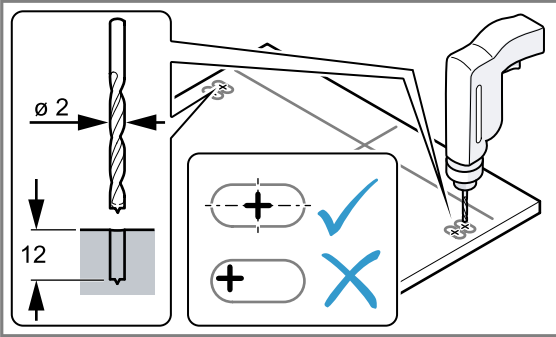
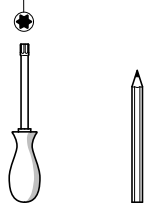


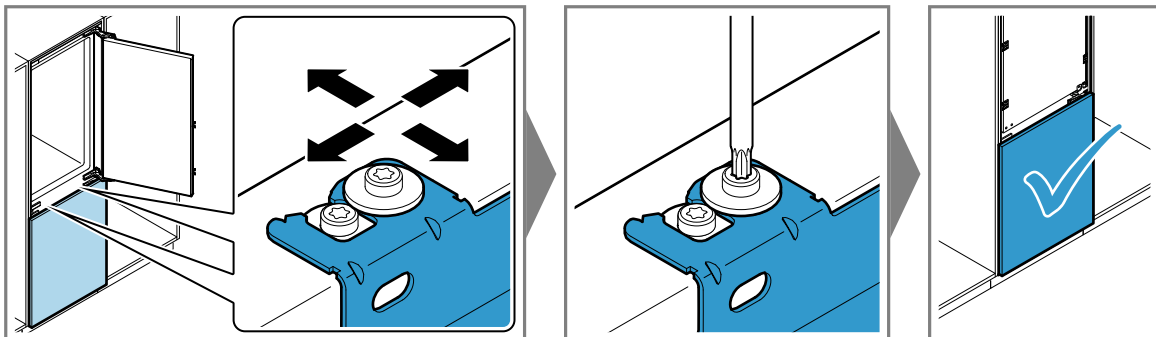
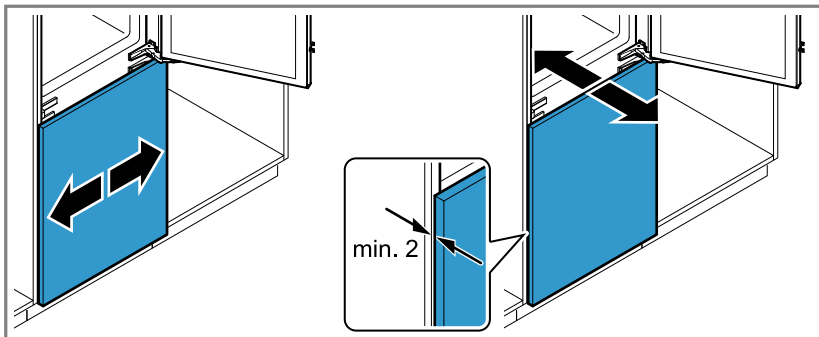
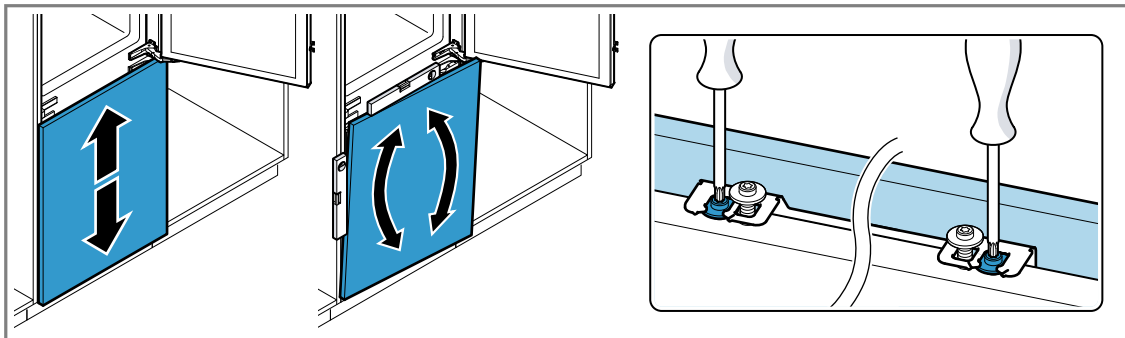


4x 



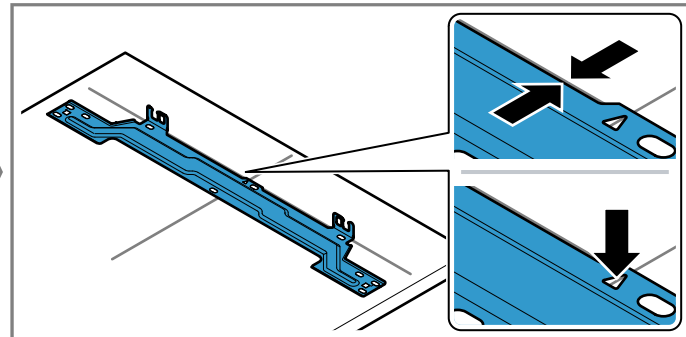
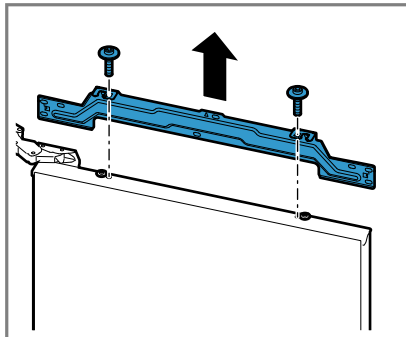
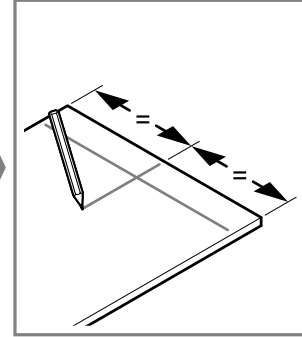
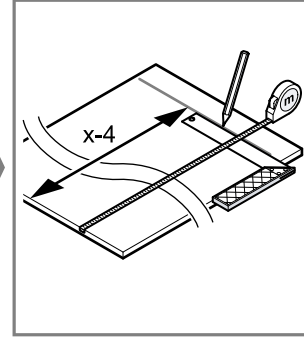
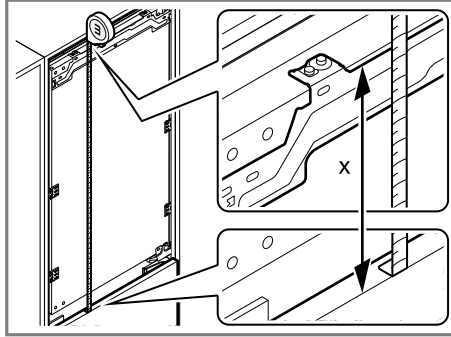
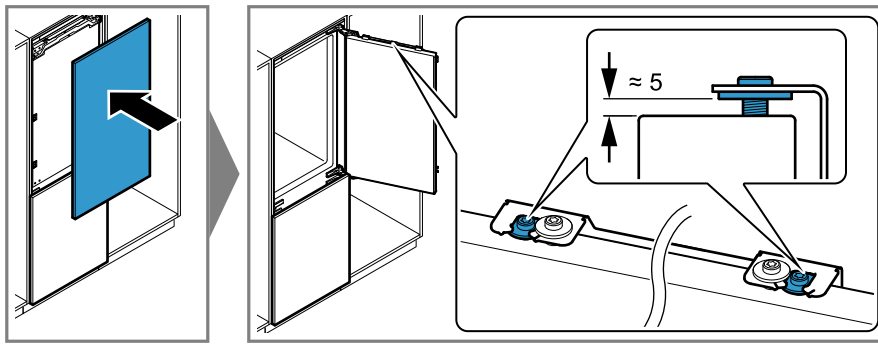
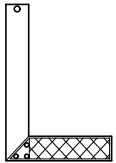
Torx
T 20



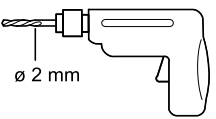
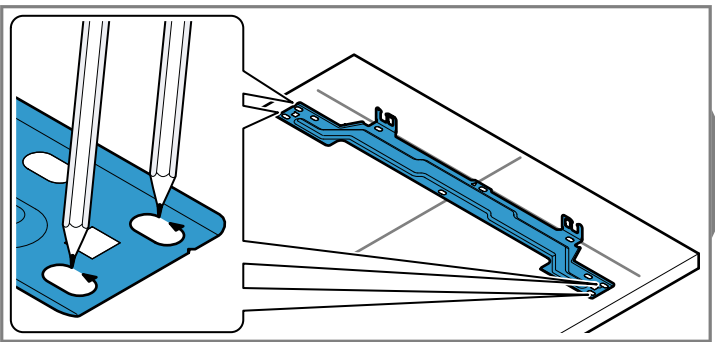


Torx
T 20

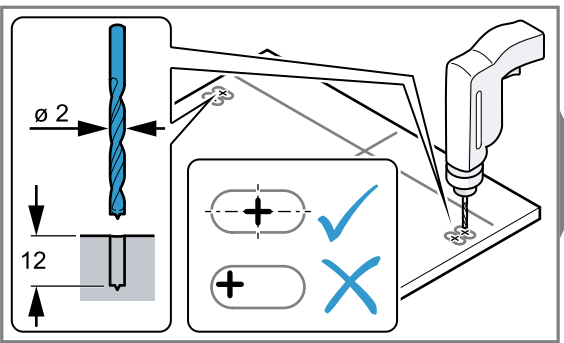


Torx
T 20

4x

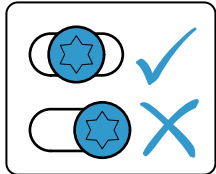
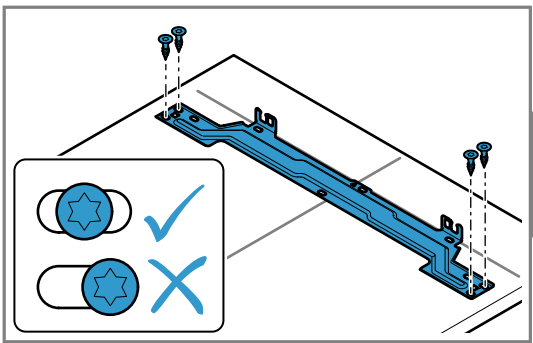
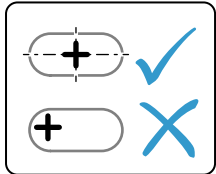


ø 2 mm



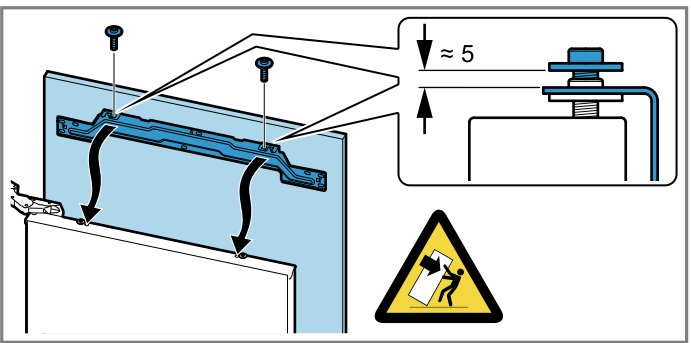
ø 2

12



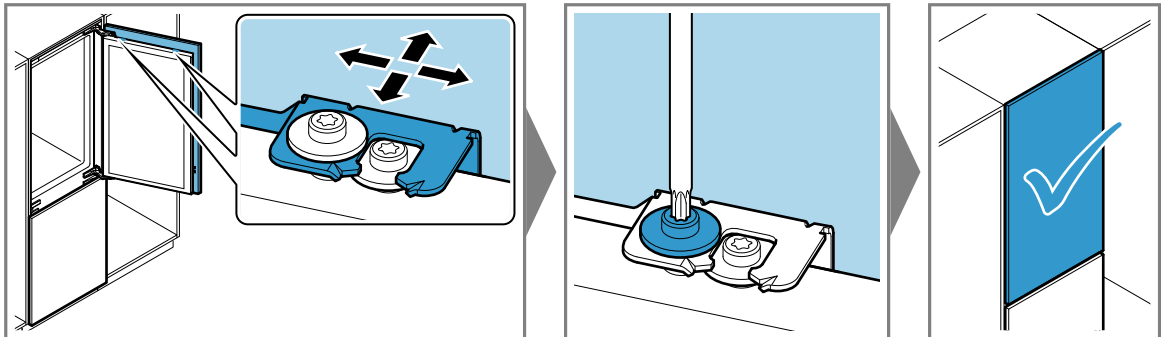
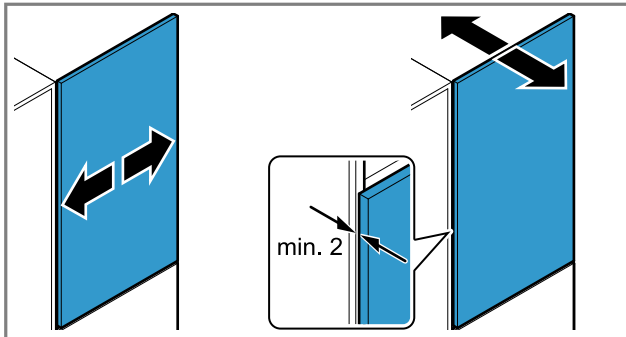
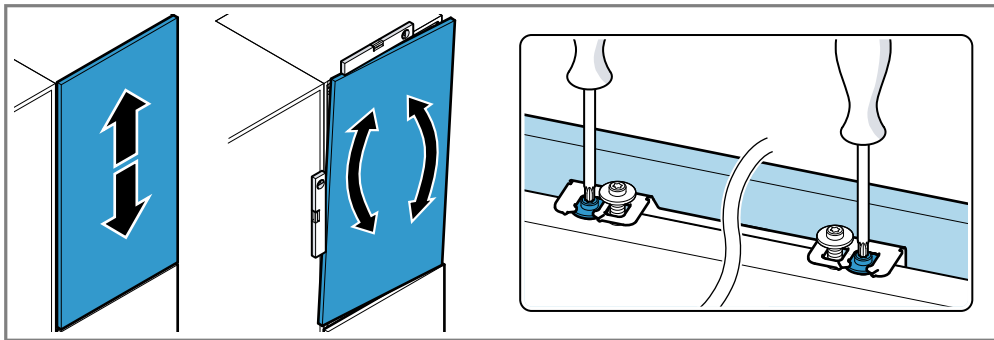
Torx

T 20



≈ 5

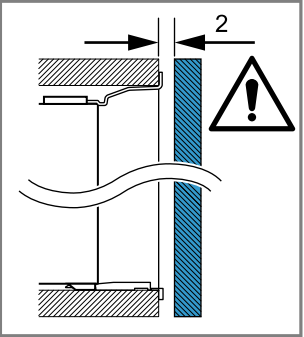
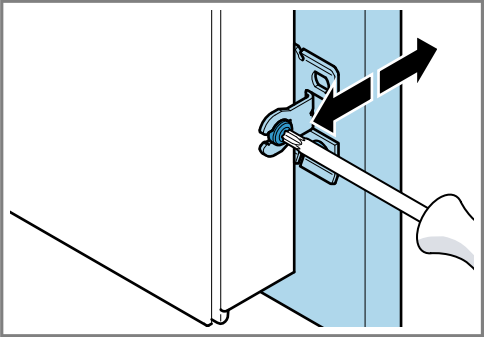
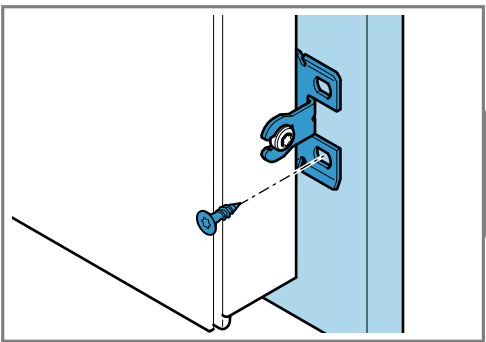
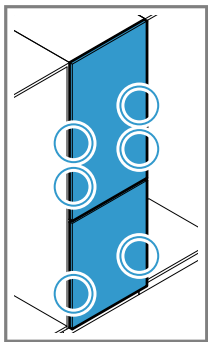
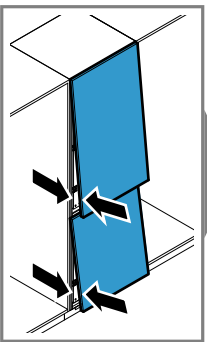




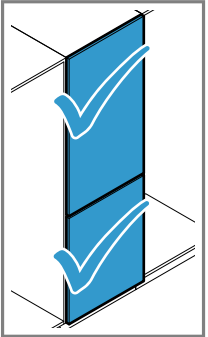
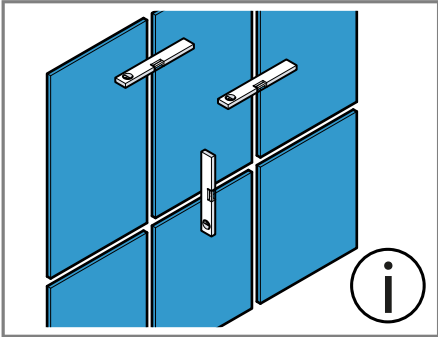
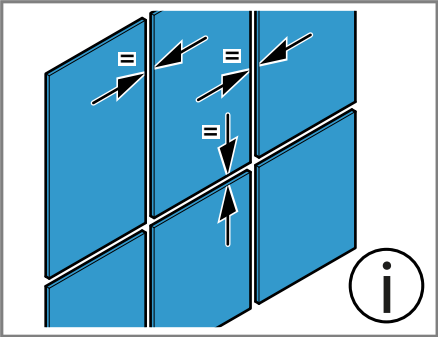
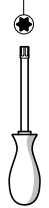
Torx
T 20

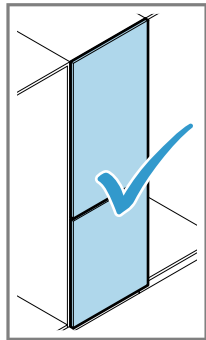
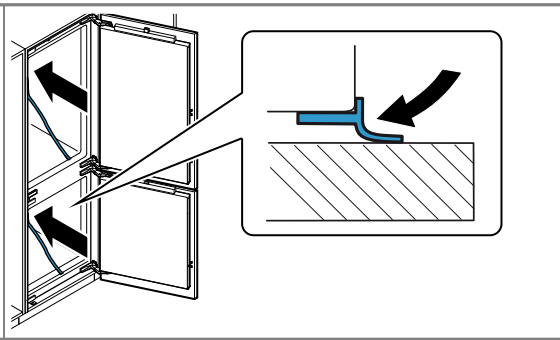
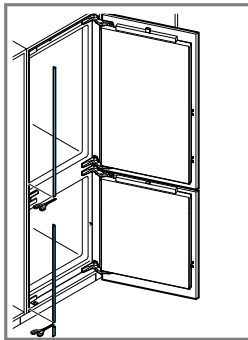
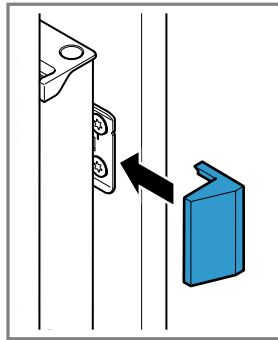
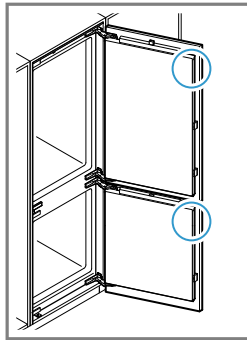
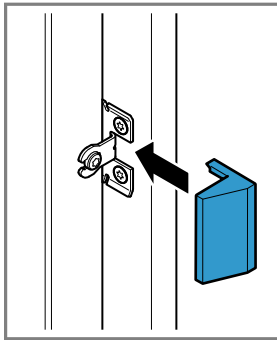
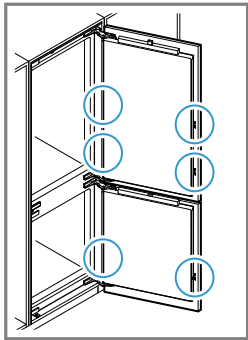
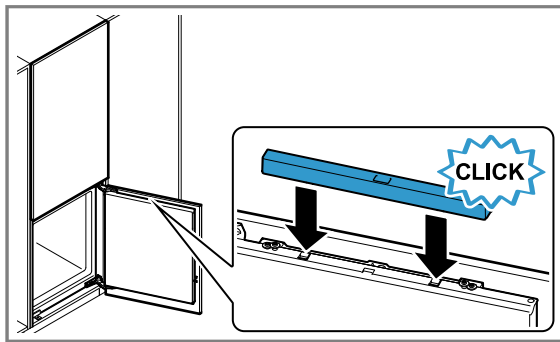
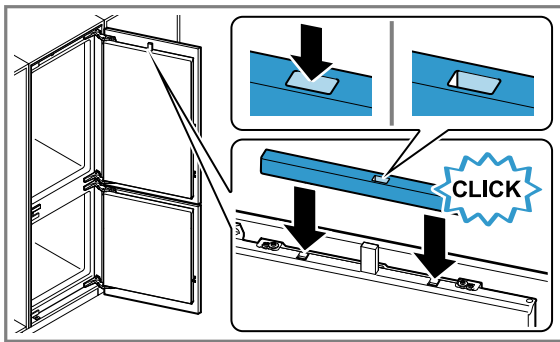
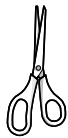
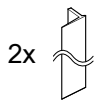
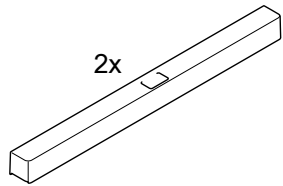


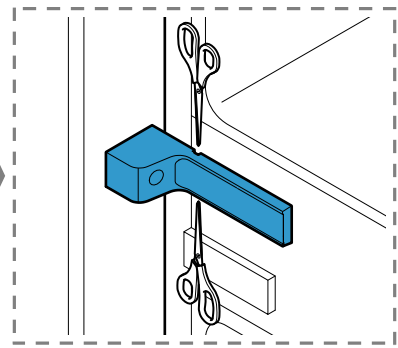
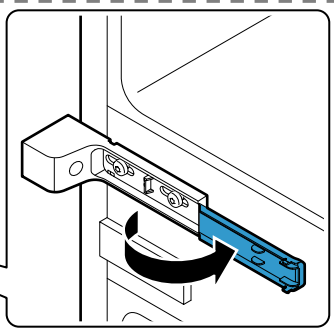
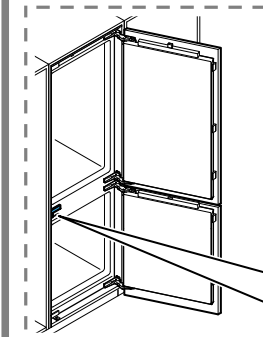
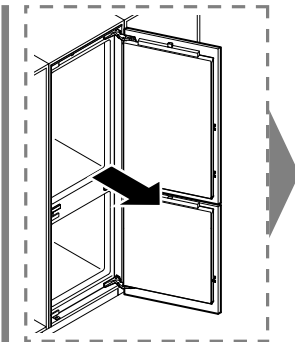
6x



Torx
T 20









A series of horizontal lines for writing, starting from the top of the page and extending to the bottom, with a vertical margin line on the left side.



A series of horizontal lines for writing, starting from a vertical margin line on the left and extending to the right edge of the page. There are 20 horizontal lines in total, creating a ruled writing area.



A series of horizontal lines for writing, starting from the top of the page and extending to the bottom. A vertical line is present on the left side, defining the writing area.