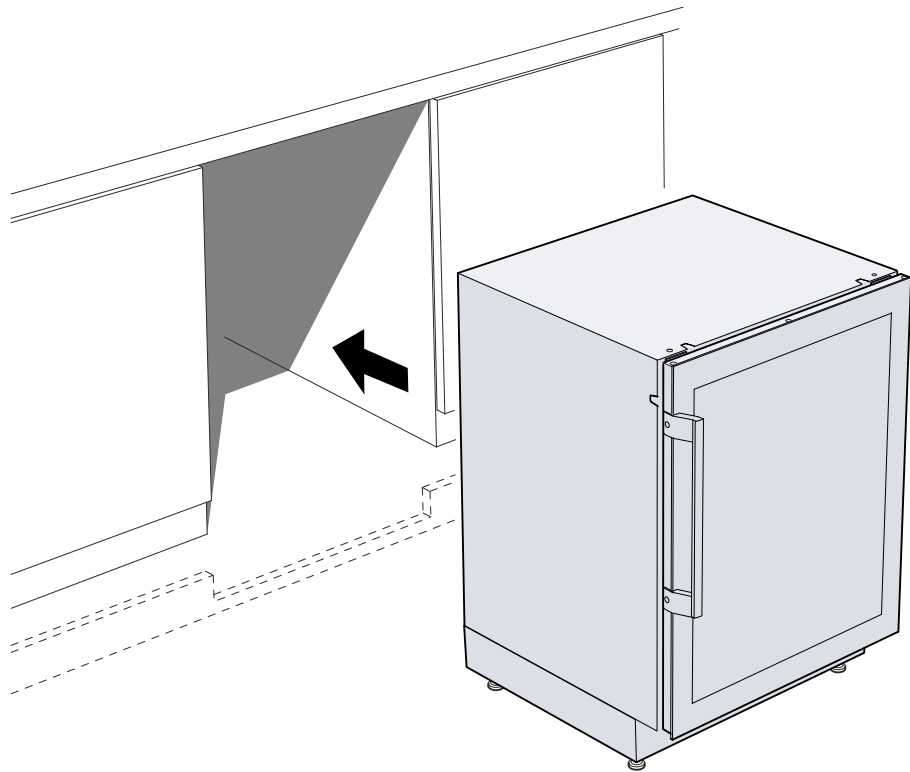




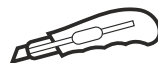
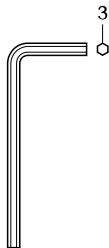
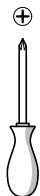
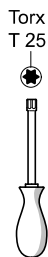
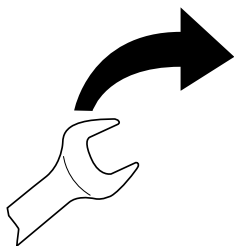
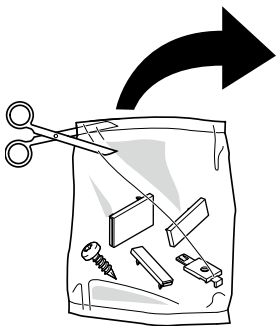
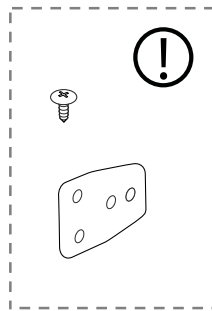
9001581603 (040206)

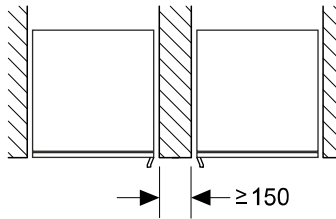
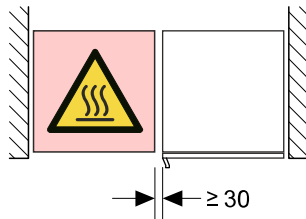
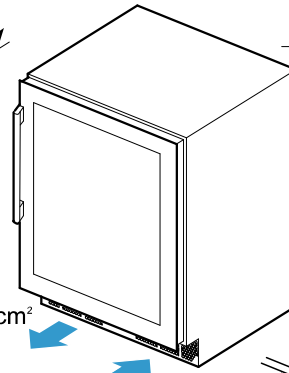
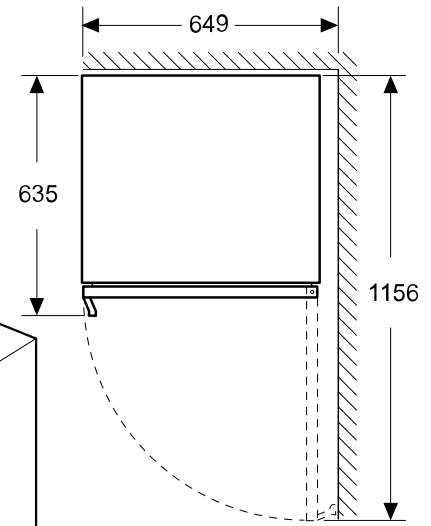
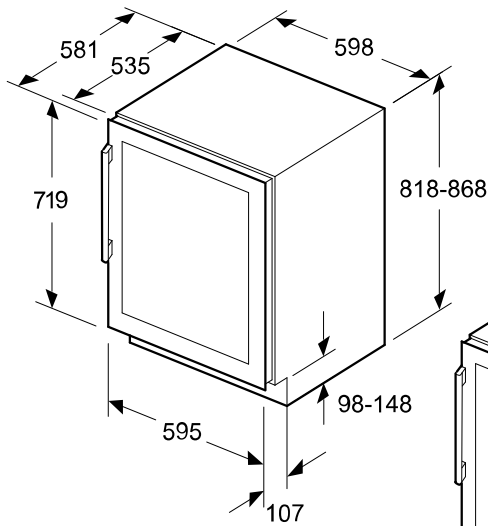


mm



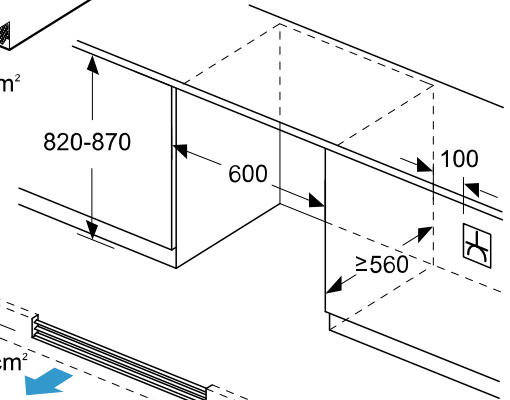
T25





$\geq 80\text{cm}^2$

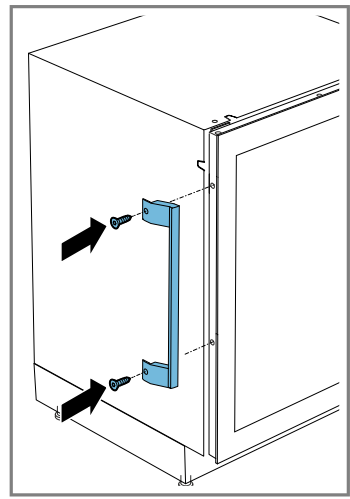
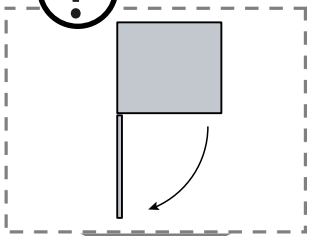
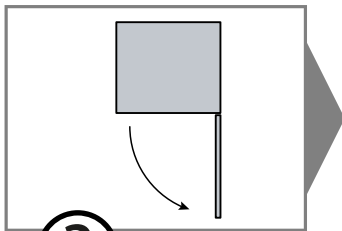
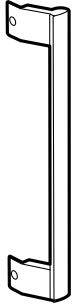
$\geq 80\text{cm}^2$



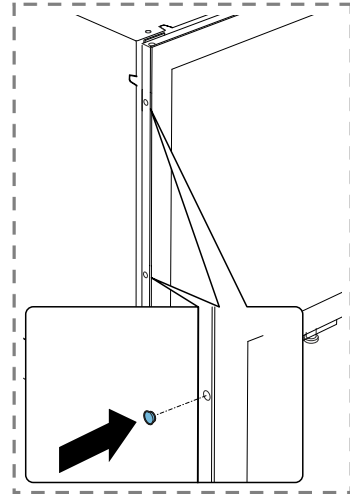
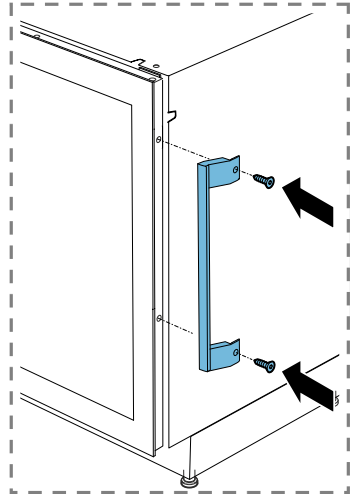
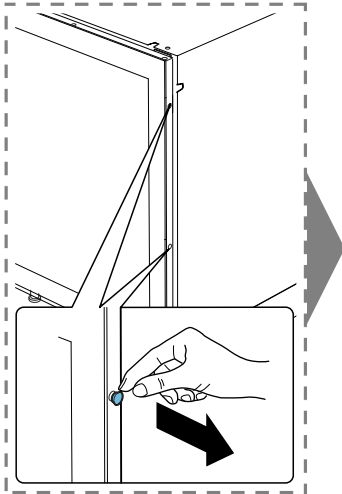
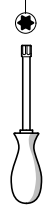
$\geq 80\text{cm}^2$

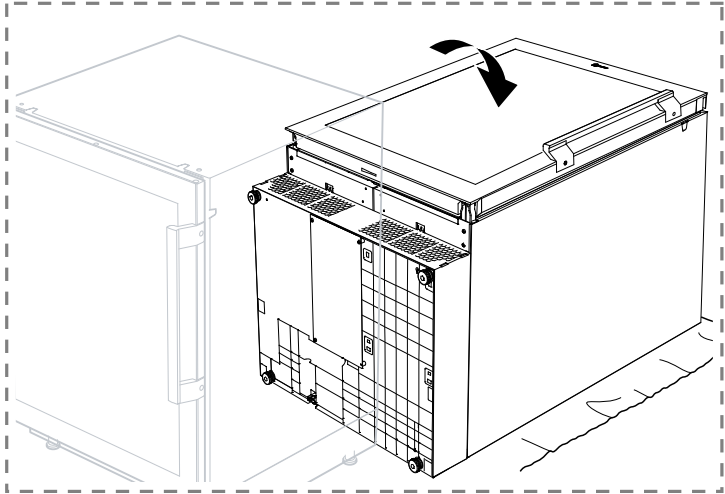
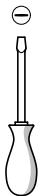
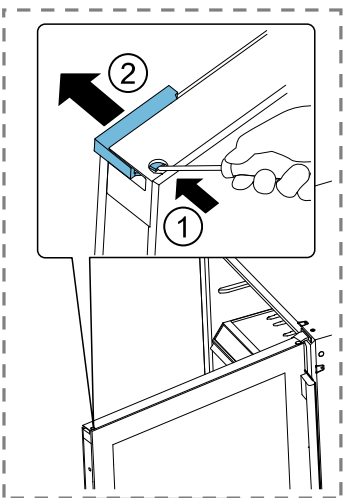
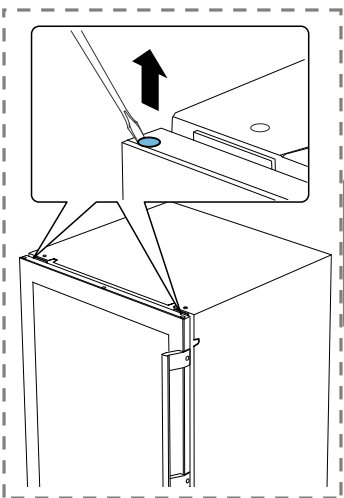
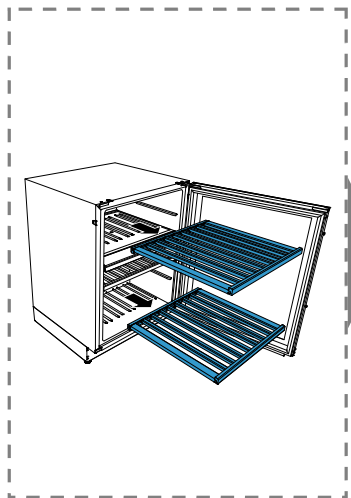
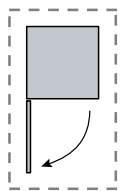
$\geq 80\text{cm}^2$

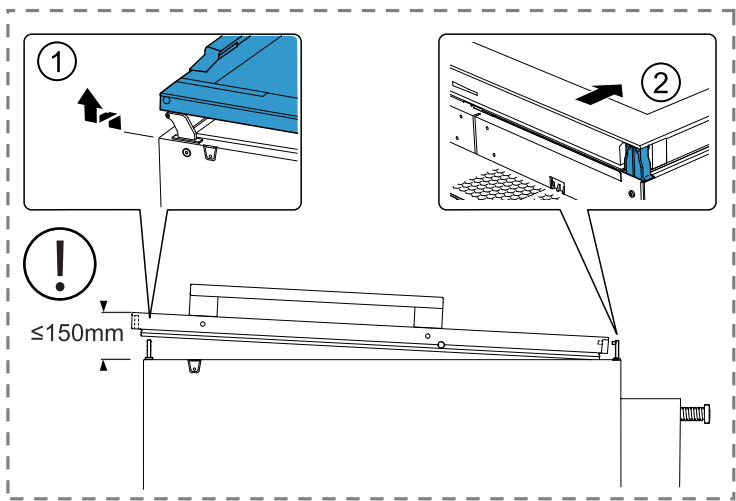
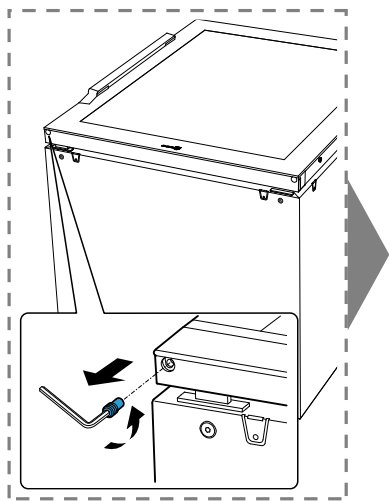
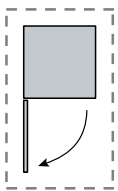
T25

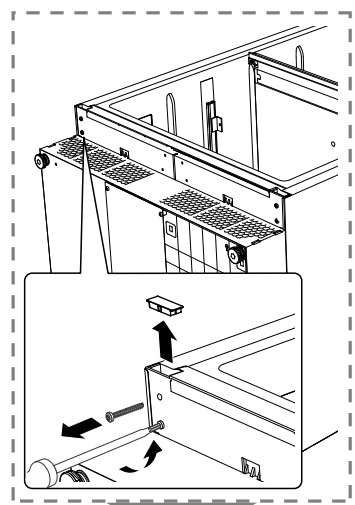
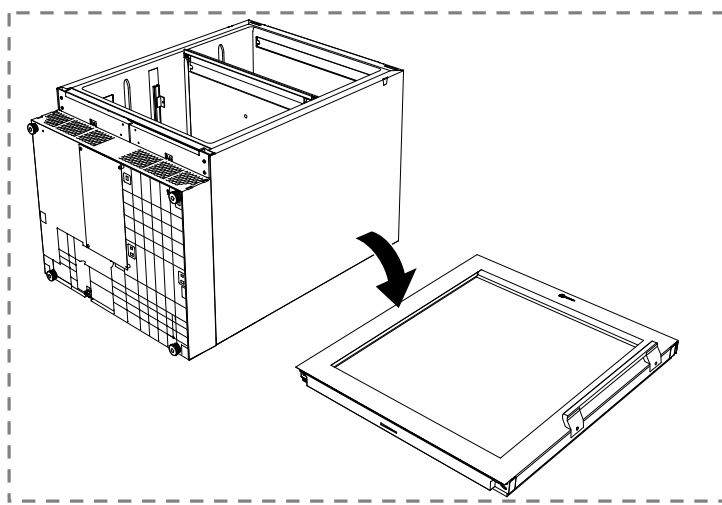
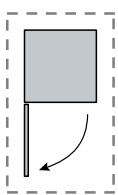


Torx
T 25

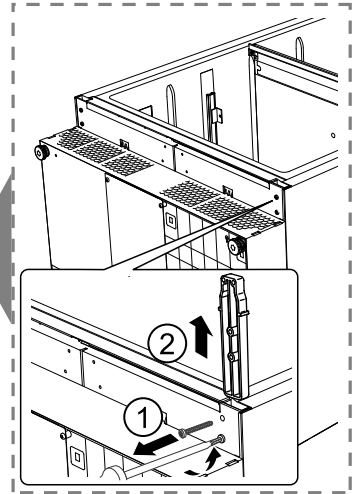
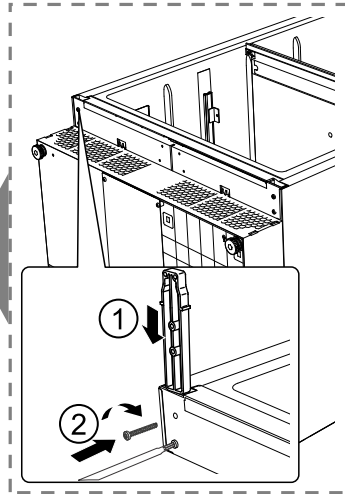
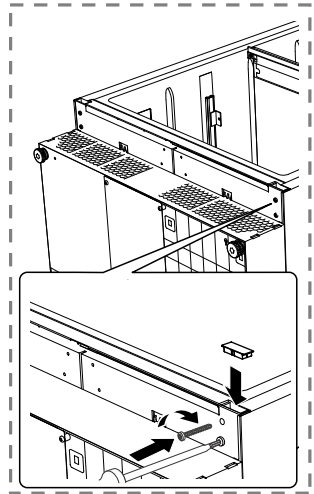


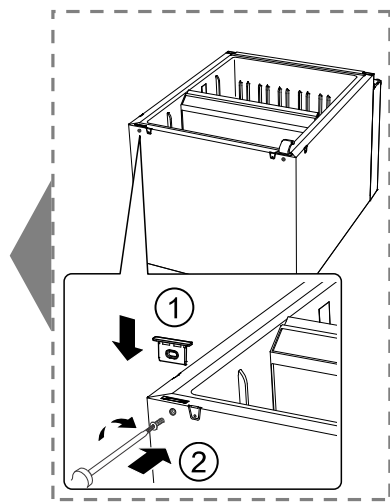
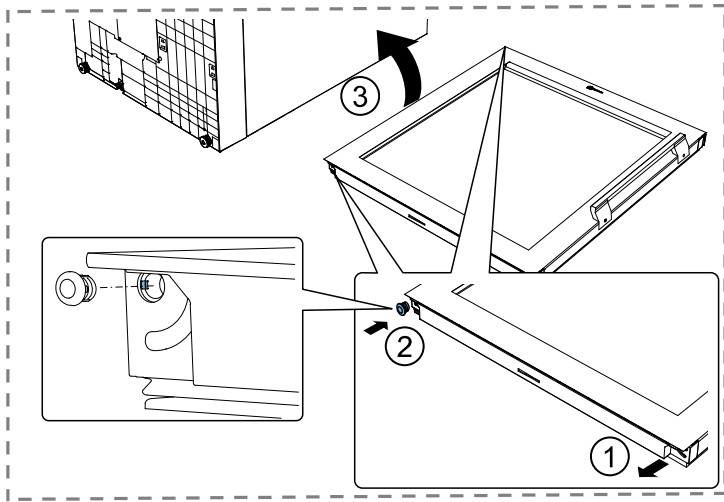
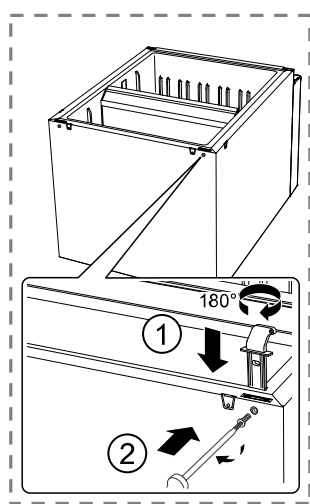
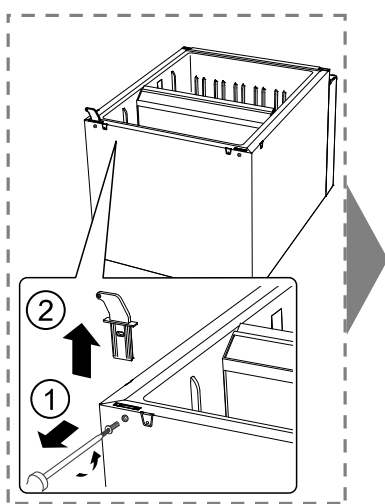
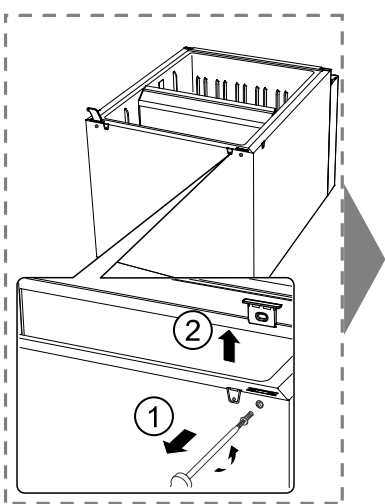
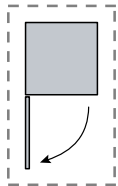






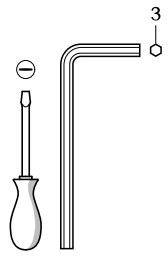
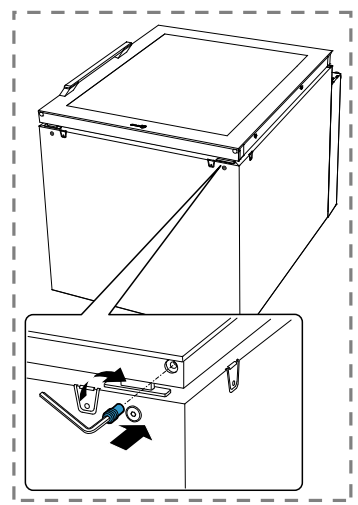
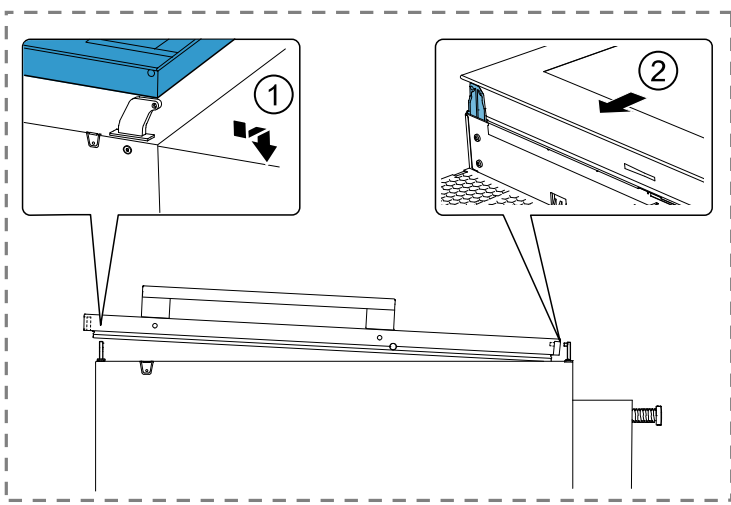
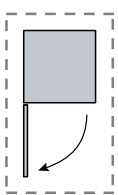
Torx
T 20

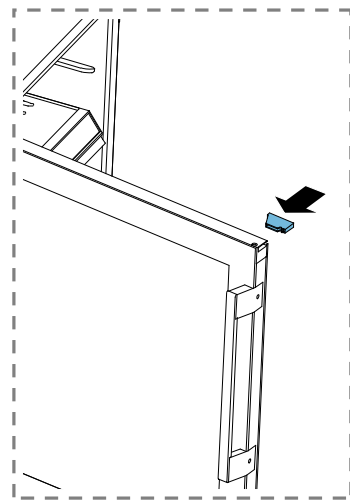
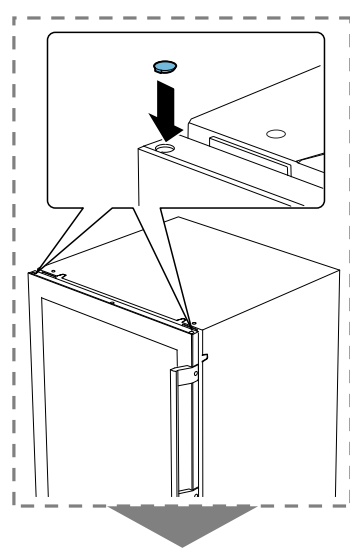
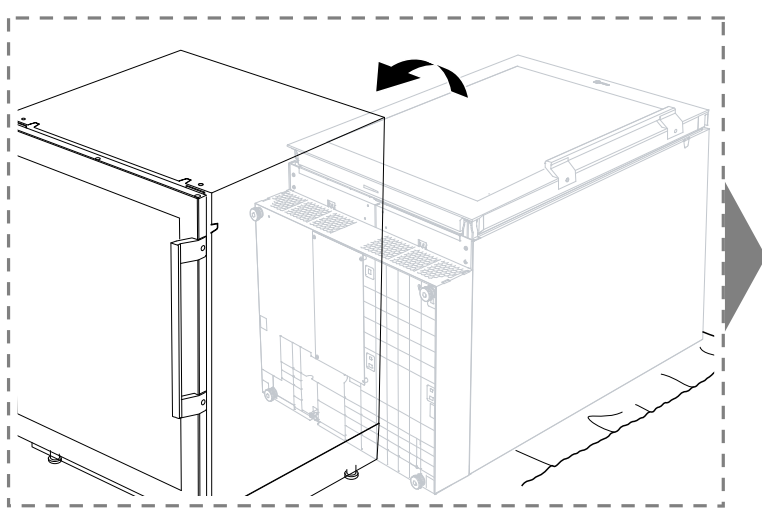
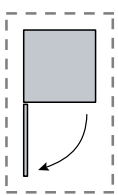


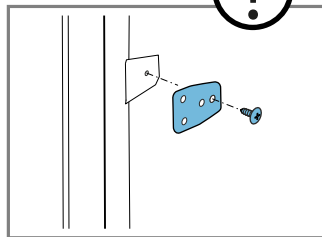
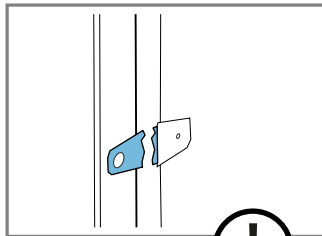
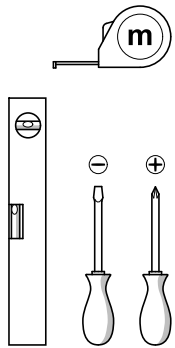
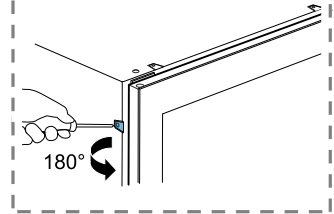
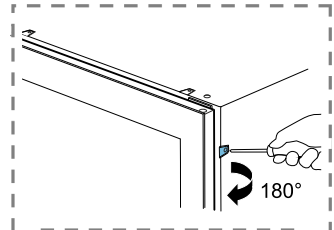
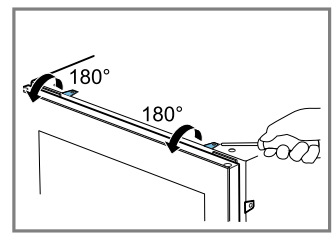
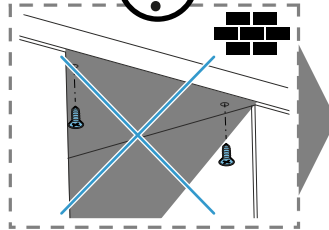
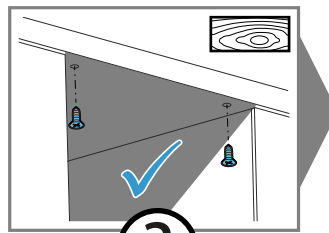
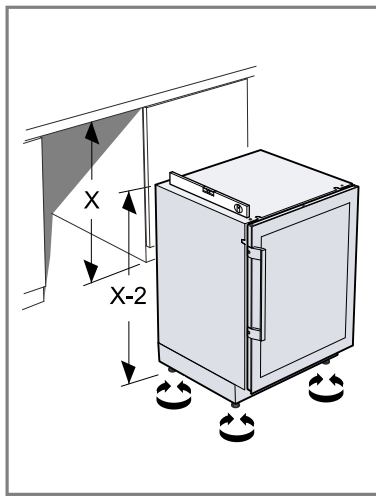
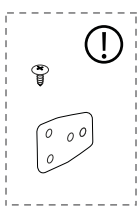


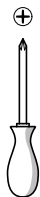
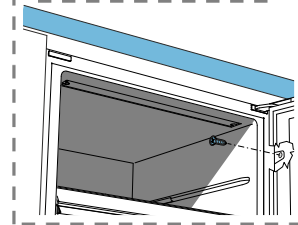
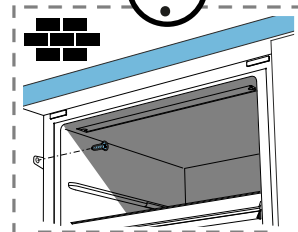
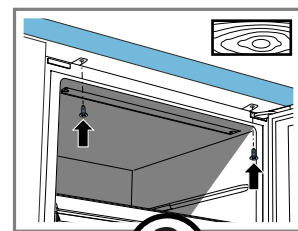
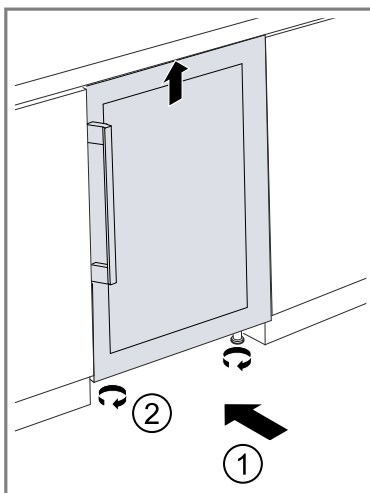
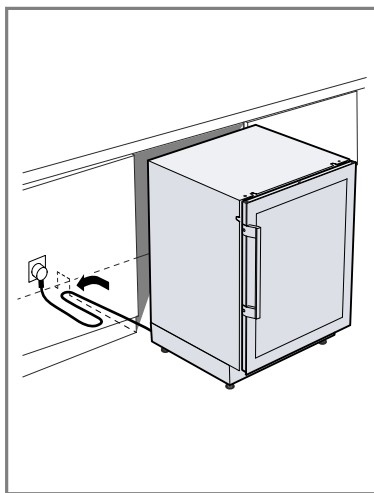
Torx
T 25

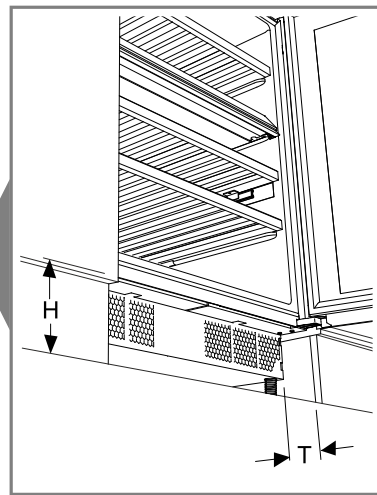
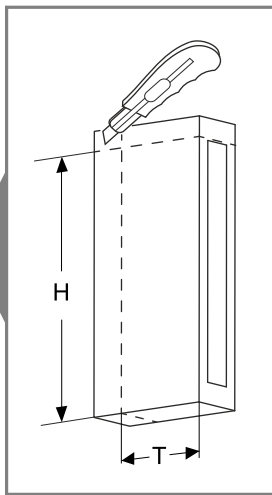
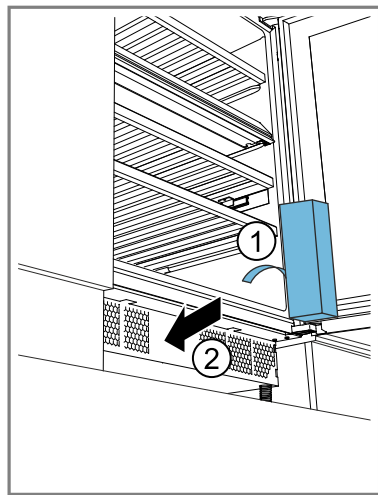
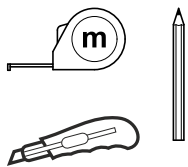
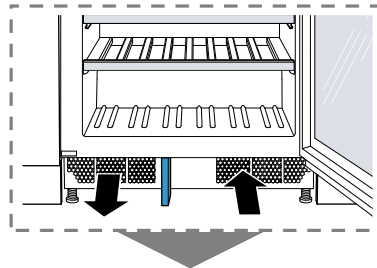
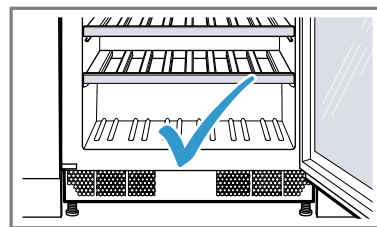
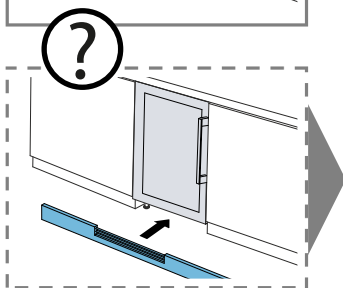
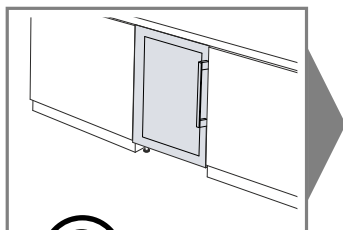
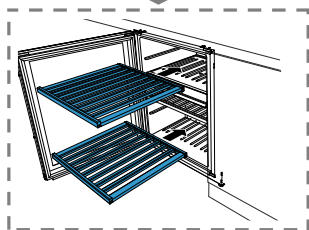
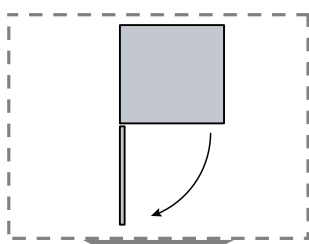














A series of horizontal lines for writing, starting from the top of the page and extending to the bottom, with a vertical margin line on the left side.

